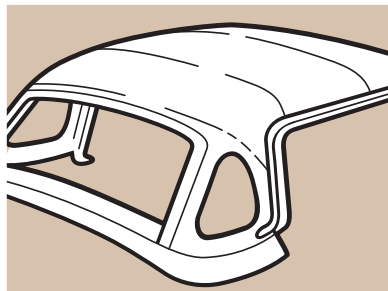
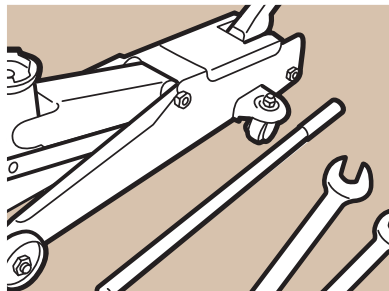
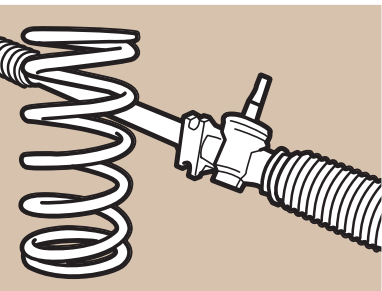
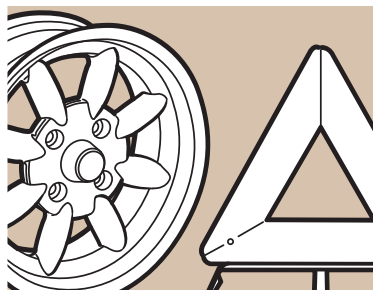
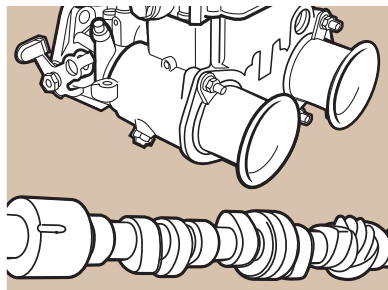
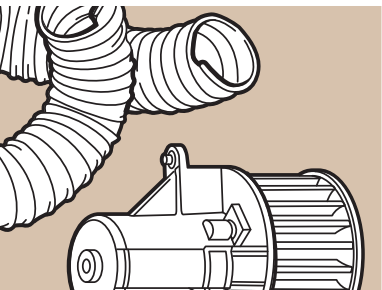
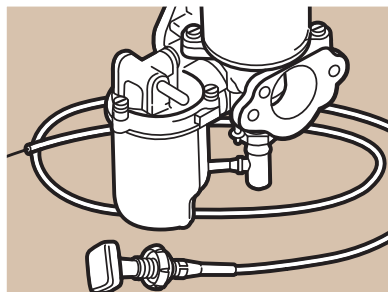
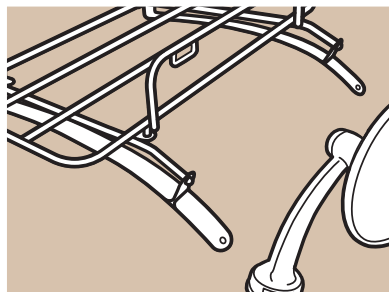
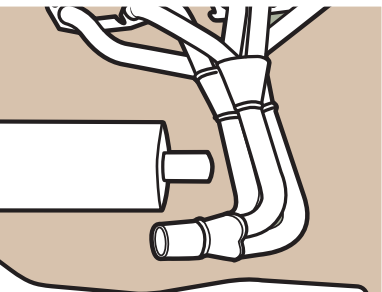
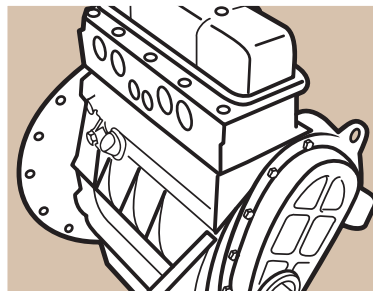
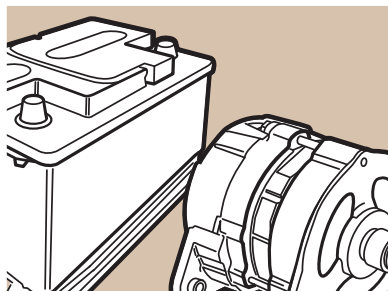
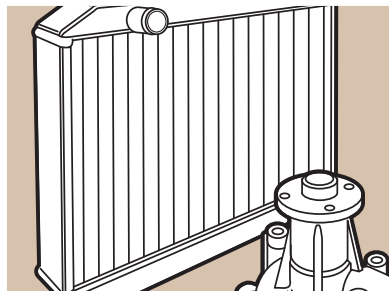
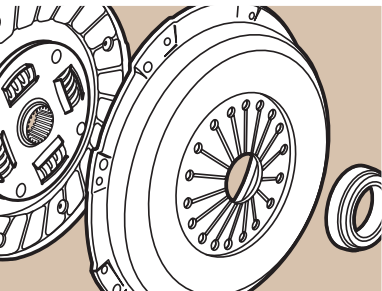
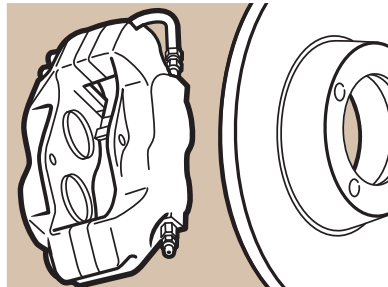
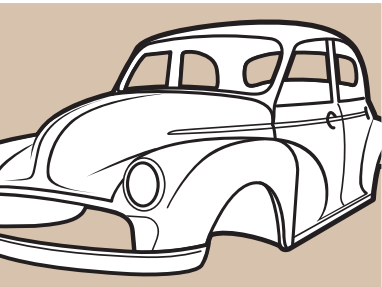


ISSUE 13

PARTS & ACCESSORIES FOR YOUR

MORRIS MINOR

including technical advice and detailed schematics



PARTS · ACCESSORIES · TOOLS

HOW TO ORDER

ORDER ONLINE

Ordering online is quick and straight forward. Simply search by part number or browse by model and component categories. Our site features detailed schematics so identifying the correct part is easy, right down to the last nut and bolt. Should you get stuck, our knowledgeable sales staff are ready to help using our live-chat feature.

Add the parts that you need to your basket and head to the checkout for delivery and payment options. Once checked out, you will receive a confirmation of your order via email, by which time your parts will be being picked and packed, ready to be sent to your door.

ORDER THROUGH A BRANCH

Whether you are visiting, calling or emailing, our knowledgeable branch staff will be happy to help you get the parts that you need. They are car enthusiasts too and understand the challenges that sometimes come with identifying the right parts for rare and classic cars. Of course, the more information about your vehicle that you have to hand, the quicker and easier it will be for us to help.

Arranging to collect parts from our branches is easy, our teams will let you know once your order is ready. Alternatively, they can dispatch your order directly to you.

PRICING

Due to constant variations of world markets and currency fluctuations the prices in this catalogue are subject to change. We make every attempt to keep prices competitive and stable, however in common with all other suppliers in our industry, we reserve the right to alter prices without prior notice. For the latest prices, please call or visit moss-europe.co.uk.

All prices are per unit (unless otherwise stated) and include (UK) VAT at 20% (where applicable). Please note EU countries may be charged at their local VAT rate, countries outside the EU will not be charged VAT. Prices are correct at the time of going to print, postage & packaging is not included. E&OE.

SHIPPING & DISPATCH

Orders for delivery in the UK may be dispatched by regular post for small/lightweight items, larger items may be dispatched via a courier. Please call us for the best delivery option for your order and the latest delivery prices.

For delivery outside the UK we offer the following services. Economy delivery (by road): 2 to 5 days (approximately). Express delivery (by air): 1 to 2 days (Guaranteed). For small and low value orders we also use airmail. For these services, please ask for prices and the best delivery option when you place your order. Most deliveries (except airmail) are 'trackable', (inc: e-mail updates and internet access for selected carriers). Please remember, all carriage charges are dependent on either gross weight or volumetric weight, whichever is greater. If a quotation is required prior to placing your order, please contact a member of the sales department. Alternatively, you can arrange your own collection.

UK OPENING TIMES

Open Monday to Friday

Store opening times vary. Please contact your nearest branch for more information.

See website for Paris opening times



90 DAY MONEY BACK PEACE OF MIND WARRANTY

It's simple, if you change your mind for any reason, all uninstalled parts still in their original condition and packaging may be returned to us within 90 days from the date of purchase for a full refund. A copy of the original invoice or picking label must accompany the return. Return freight is paid by the customer, unless returned due to our error.

In the event of a part failing in use, all parts are warranted against defects in materials and workmanship for 12 months from the date of purchase. Please remember that all returns must be accompanied by the original invoice, return freight will be reimbursed. For more details see our website or contact your local branch.

FIND US ONLINE FOR THE LATEST PRODUCTS, NEWS, FEATURES AND SALES.

STAY IN TOUCH

-  Facebook facebook.com/mosseurope
-  Instagram instagram.com/mosseuropeltd

BUY ONLINE

-  Moss Websites moss-europe.co.uk
- moss-europe.fr



LONDON

Unit 16, Hampton Business Park
Bolney Way, Feltham
TW13 6DB

London Tel
+44 (0)20 8867 2020

Email
sales@moss-europe.co.uk

Fax
+44 (0)20 8867 2030



BRADFORD

Unit 12-13, Acorn Park Ind. Est.
Otley Road, Shipley
BD17 7SW

Bradford Tel
+44 (0)1274 539 999

Email
bradford@moss-europe.co.uk

Fax
+44 (0)1274 539 990



BRISTOL

Unit 14 Avonside Ind. Park
Avonside Road, Bristol
BS2 0UQ

Bristol Tel
+44 (0)117 923 2523

Email
bristol@moss-europe.co.uk

Fax
+44 (0)117 300 9164



MANCHESTER

111-117 Stockport Road
Stockport, Cheshire
SK3 0JE

Manchester Tel
+44 (0)161 480 6402

Email
manchester@moss-europe.co.uk

Fax
+44 (0)161 429 0349



PARIS

7 rue Chaponval
ZAC du Cornouiller
78870 Bailly, France

Paris Tel
+33 (0)1 30 80 20 30

Email
sales@moss-europe.fr

A		H		Spark plugs and terminals ... A09
Aerials A24		H4 LED conversion A19		Speakers A46
Air filters A12-13		Handbrake grip A26		Spin on oil filter adaptor A11
Alternators A16		Hazard warning light kit A26		Sports coil A09
Anti-roll bar kit A06		Headlamp conversions A19		Spot & fog lamps A18
B		Headlamp peaks A19		Spring lowering kit A07
Badge bar & mounting clips .. A20		Headlamp protectors A19		Starter motors A16
Badges A21		Headlamp relay kits A19		Steering wheel bosses A26
Baseball caps A44		Headlamp rims A18		Steering wheels A27
Battery A17		Headlamp stone guards A18		Stelling & Hellings air filters .. A13
Battery cut-off switches A17		Headlamps A19		Sun visors A31-42
Battery tray A17		Headlinings A33-42		Superpro bush sets A05
Bonnet straps A20		Heated blanket A44		Switch bezel tool A26
Books & manuals A43		Hip flask A44		Switches A17
Boot racks A20		Horns A17		T
Boot trim A29		HT leads A09		Telescopic conversion kits ... A05
Bottle stoppers A44		Hub caps A23		Thermal mugs A44
Brake disc kit A07		Hub nut spanner A23		Thermostat blanking kit A11
Brake hoses A07		I		Timing chain kits A14
Brake pipe sets A06		Ignition lead numbering set A10		Tyre trims A23
Brass float A14		Ignition systems A09-10		U
Breather filters A12		Indicator lenses A18		Underfelt kits A28
C		In-line fuel filters A14		Union flag A45
Carpets & floor coverings . A28 & A42		Insulation A31		W
Cigar lighter A26		Interior trim A30-41		Waterproof blanket A42
Clutch conversion hydraulic A15		K		Wheel nuts A21
Coil clamp and cover A09		K&N air filters A12		Wheel spacers A21
Crankshaft oil seal A12		K&N Cleaning & oil kit A12		Wheel trims A21
Cylinder head A15		Key fobs A44		Wheels A22
Cylinder head gaskets A15		Klingersil gasket A11		Windscreen washer kits A21
D		L		
Dashpot covers A11		Lamp covers A18		
Distributors A08		Lamps A18		
Door seals A31-41		M		
Driver cap A44		Mirrors A21-22		
DVDs A43		O		
Dynamat A29		Oil catch tanks A12		
Dynator charging system A16		Oil cooler radiators A11		
E		Oil pump A12		
Embroidered patches A44		P		
Engine backplate A15		Parcel trays & glove boxes A31-41		
Exhaust A06		Period style lamps A18		
Exhaust clamps A06		Piper air socks A13		
F		R		
Fan controllers A10-11		Radios A46		
Fan kit A10		Ram pipes A13		
Footwell mats A28		Remote fluid reservoir kit A07		
Fuel pump inertia switch A14		Rev limiters A08		
Fuel pumps A13		Reverse & fog lamps A18		
Fuel regulators A14		Rocker covers A14		
G		S		
Gaiter finisher kit A26		Seat belts A24		
Garage signs A45		Seat covers A30-40		
Gauges A25		Seat foams & fittings A42		
Gear knobs A26		SmartScreen wash/wiper A23		

Sections

Performance A04

Exterior A15

Interior A22

Personal A41

BLACK & WHITE Restoration Section

Restoration
Parts 01

Ordering
Information 02

Where the price is replaced with NCA this part is Not Currently Available. Please visit our website (moss-europe.co.uk) or call our sales staff for the latest availability information or to enquire if we can offer an alternative part.

MMCat ©Copyright Moss Europe Ltd. September 2022. Printed in the UK All rights reserved. No part of this publication may be reproduced, stored in a retrieval system, or transmitted in any form by any means, electronic, photocopying, recording or otherwise without prior written consent of Moss Europe Ltd. Please note: Product colours may vary slightly to samples featured in this catalogue, due to the limitations of colour printing.

5 SPEED GEARBOX CONVERSION



Our range of five speed conversions for the Minor are a complete replacement kit with everything you need to achieve modern day driver comfort and performance. The ultra-smooth action of the five speed gearbox is an instant benefit. With a synchromesh first gear and quieter reverse the vibration and hassle are taken out of town driving. With similar ratios from first to fourth, the

performance through the gears is unaffected, and the added benefit of a 0.82:1 fifth gear gives a reduction of 1,200rpm at maximum speeds, giving faster and more relaxed cruising.

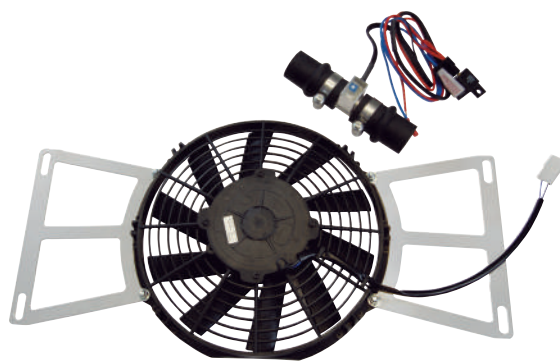
“Everything you need to achieve modern day driver comfort and performance.”

The robust gearbox and replacement clutch release arrangement replace the weaker original system, giving an almost maintenance free transmission. The conversion involves minimal cosmetic or structural changes and the specially modified gear change puts the gear lever in the original position, with no modifications required to the upper area of the gearbox cover. Kits are available to suit the original mechanical linkage or hydraulically operated clutches.

Kit includes: Fully reconditioned gearbox, replacement bell housing, clutch mechanism, chassis crossmember, speedo cable, hardware and instructions.



- 5 speed conv., 1098cc, linkage clutch, RHD MMA1310. £3,655.90
- 5 speed conv., 1098cc, linkage clutch, LHD MMA1311. £3,655.90
- 5 speed conv., 1098cc, hydraulic clutch, RHD MMA1312. £3,621.30
- 5 speed conv., 1098cc, hydraulic clutch, LHD MMA1313. £3,621.30
- 5 speed conv., 1275cc, linkage clutch, RHD MMA1314. £3,593.50
- 5 speed conv., 1275cc, linkage clutch, LHD MMA1315. £3,593.50
- 5 speed conv., 1275cc, hydraulic clutch, RHD MMA1316. £3,558.90
- 5 speed conv., 1275cc, hydraulic clutch, LHD MMA1317. £3,558.90



REVOTEC COOLING FAN KITS

Keeping your engine running at it's optimum temperature will ensure the best performance and economy.

Revotec and Moss Europe have co-designed these high quality bespoke fan kits using the latest high efficiency fans with adjustable electronic controllers. These kits are designed to replace the standard original mechanical fan, reducing the load on the engine, noise and improving both power and mpg.

Unlike other fan kits that use universal mounting systems, these kits fit using bespoke laser cut brackets that mount directly to the radiator cowling using existing mounting bolts.



See page A10 for more information

SUPERPRO BUSHES

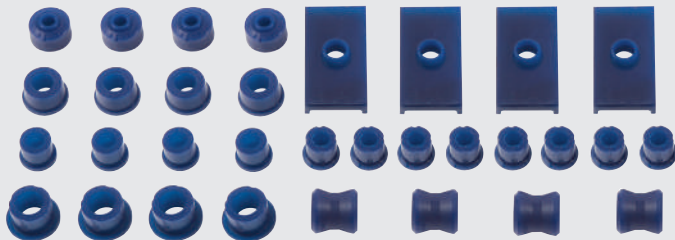


The first stage in improving your suspension is to check all your bushes - there's no point buying springs and dampers if the bushes are worn out. These suspension bushes improve the handling by reducing the amount of unwanted flex in the standard type of bush, leaving the suspension to move in the direction intended by the designers.

“Polyurethane bushes are 25-30% stiffer than the factory bushes and do not deteriorate in performance over time.”

Polyurethane is the best solution for road use. It gives improved location without having a detrimental effect on noise levels or a harsh ride. Added advantages are improved longevity and unlike rubber it is not affected by ultra violet light, water, salt, oil or petrol. These Superpro bushes come with a steel sleeve and grease where necessary and are available either individually, or as a complete car set.

SPK71CK



Superpro complete bush sets

Complete bush set, Saloon Tourer and Traveller SPK70CK **£126.70**
(Contains: Upper outer trunnion bush, lower inner control arm bush, front tie bar bush, leaf spring eye and shackle bushes and leaf spring saddle mount).

Complete bush set, Van/Pickup SPK71CK **£163.00**
(Contains: Upper outer trunnion bush, lower inner control arm bush, front tie bar bush, leaf spring front eye and shackle bushes, leaf spring saddle mount and telescopic damper eye bushes).



ACA5242SPKF

Superpro front suspension bushes

Upper outer trunnion bush kit, 1 required ACA5282SPK. **£22.20**

Lower inner control arm bush kit, 1 required ACA5242SPKF. **£16.60**

Front tie bar bush kit, 1 required ACA5264SPK. **£17.50**



ACA5242SPKR

Superpro rear suspension bushes

Leaf spring front eye bush kit 1 required AAA3627SPK. **£27.00**

Leaf spring rear eye and shackle bush kit, 1 reqd ACA5242SPKR. **£44.80**

Leaf spring saddle mount kit, 1 required ACA5138SPK. **£48.50**

Damper eye bushes, Van/Pickup only, 2 reqd ACB8871SPK. **£16.20**

Clutch shaft bush

Replaces the spherical bush in the clutch linkage. This provides more accurate location and resists the degrading effects of fuel and oils.

Clutch cross shaft pivot bush, 1 required AAA1626SP. **£9.00**



MMA1200



MMA1255

TELESCOPIC DAMPER CONVERSION KITS

Converting to telescopic dampers is a good step in improving your Minor's handling. The telescopic dampers give improved control and rear axle location. This results in better ride and handling, making your Minor more stable and predictable, ideal for daily-used cars. These conversion kits are designed to give your Minor all the benefits of telescopic damping in an easy to install kit. They are available with a choice of gas or oil filled dampers. Includes all hardware and fitting instructions.

Telescopic damper conversion kit, front, gas MMA1200 **£142.90**

Telescopic damper conversion kit, front, oil MMA1205 **£110.10**

Telescopic damper conversion kit, rear, gas MMA1250 **£174.10**

Telescopic damper conversion kit, rear, oil MMA1255 **£106.10**



SPCK9

Spax telescopic damper conversion kit

Spax dampers are renowned for their quality and will give excellent damping and a long service life. They feature an external adjuster mechanism that allows for easy damping adjustments whilst the units are still fitted on the car. These are ideal for fast road cars. Each kit includes a pair of dampers, necessary brackets, hardware and fitting instructions.

Spax telescopic damper conversion, front SPCK9 **£324.96**

Spax telescopic damper conversion, rear SPCK10 **£309.96**

Replacement Spax damper, front or rear SPG736PR. **£204.96**



“Improving the gas flow through the engine is the key to gaining more power...”

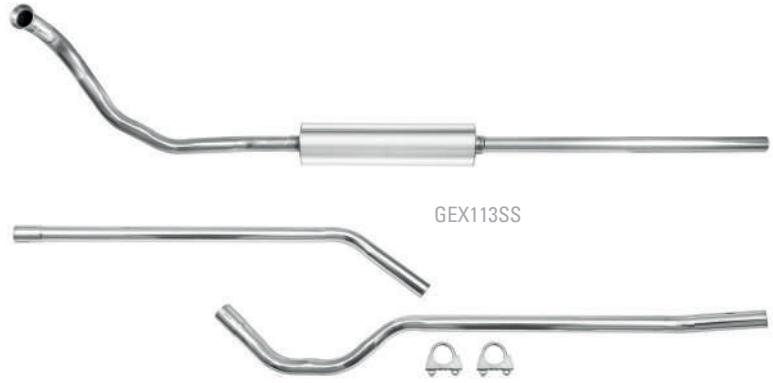
MMA1050

PERFORMANCE EXHAUST

Improving the gas flow through the engine is the key to gaining more power, a simple first step ‘Stage 1’ is to upgrade the induction (see page A11 for details on air filters) and exhaust systems. Fitting an extractor manifold with a performance exhaust allows the engine to breathe more easily. To gain the most benefit from our extractor manifolds and performance exhaust systems they should be used together.

Extractor manifolds work by allowing the gasses to flow through a smoother path. Using larger bore pipes also reduces back pressure in the manifold and cylinder head. Additional power can be gained by wrapping the manifold, this reduces the temperature in the engine bay, allowing cooler air into the carburettors, and keeping the exhaust gasses hot which means they have less density and flow more freely. Our manifolds and systems are manufactured to the highest standards and are available in high quality stainless steel. All pipes are mandrel bent to maintain tube shape and assembly is done on jigs to ensure accuracy and quality fit.

Extractor manifold	MMA1050	£280.60
Sports exhaust system.....	MMA1060	£429.70
Exhaust downpipe.....	MMA1056	£76.50



GEX113SS

STAINLESS STEEL EXHAUST SYSTEM

Bell stainless steel exhaust systems have stood the test of time and are the perfect upgrade for your classic cars mild steel exhaust system. Made from high-quality stainless-steel right here in the UK, these exhaust systems feature an improved exhaust note and increased longevity. These exhausts will last for years to come.

Supplied with two U clamps to connect this three piece exhaust system. Complete fitting kit GEK1900 is available separately.

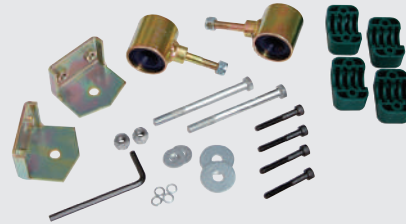
Please note: This exhaust system is not compatible with early Morris Minor with side valve engines, or with Morris Minor Van and Pick Up.

Complete Exhaust System (3 piece)	GEX113SS	£222.00
Complete Fitting Kit	GEK1900	£7.80

ANTI-ROLL BAR KIT

Using an anti-roll bar reduces body roll during cornering, increasing stability without ruining the ride comfort. This bolt-on kit is designed to be simple to fit and will benefit standard and modified cars.

Front anti-roll bar kit	MMA1210	£129.40
-------------------------------	---------	---------



STAINLESS STEEL 'U-BOLT' TYPE EXHAUST CLAMPS

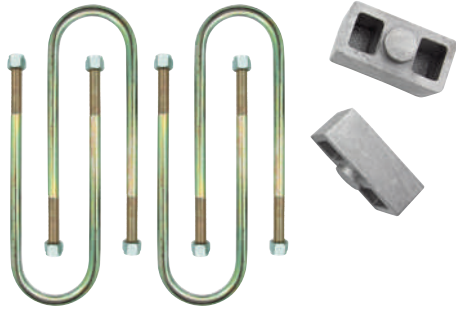
Exhaust clamp, 1 1/8"	412-200	£3.30
Exhaust clamp, 1 3/4"	412-201	£5.70
Exhaust clamp, 1 7/8"	412-202	£5.80
Exhaust clamp, 2"	412-203	£4.40
Exhaust clamp, 2 1/8"	412-204	£7.20
Exhaust clamp, 2 3/8"	412-205	£6.30



COPPER BRAKE PIPE SETS

These non-rust, copper brake pipe sets are cut to the correct length and assembled with fittings and flared ends. The pipes are manufactured from pliable thick walled, seamless copper pipe with brass fittings which are strong and malleable, allowing them to be readily formed by hand or with pipe bending tools.

Copper brake pipe set, RHD, Saloon/Traveller...	HGB5003	£94.80
Copper brake pipe set, LHD, Saloon/Traveller...	HGL5003	£94.80
Copper brake pipe set, RHD, Van/Pickup	HGL5003C	£94.80



REAR SPRING LOWERING KIT

Reducing the ride height effectively lowers the centre of gravity which benefits handling by reducing body roll. This spacer block fits between the axle and road spring to reduce the ride height by 1.5". The kit includes spacer blocks, U bolts and nuts.

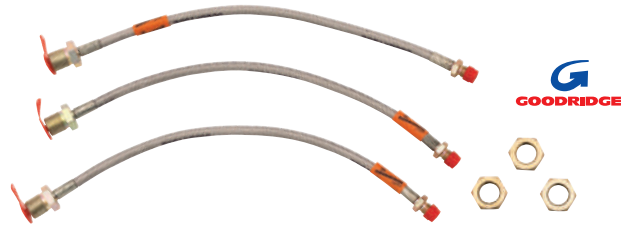
Rear spring lowering kit..... TMG30920 ... **£81.00**



REMOTE FLUID RESERVOIR KIT

This kit is designed to mount a remote reservoir in the engine bay where it is more easily accessed for routine fluid level checks. This is also recommended when fitting a disc brake conversion kit as the calipers require more fluid in the hydraulic circuit.

Remote fluid reservoir kit MMA1105 **£52.30**



STAINLESS STEEL BRAIDED BRAKE HOSES

Goodridge brake hose kits feature the finest quality hose, consisting of a PTFE inner with a stainless steel outerbraid. This eliminates the spongy feel under arduous conditions, giving greater brake operation as well as providing superior resistance to abrasion and corrosion.

These kits, therefore, not only provide the reliability and safety demanded but offer brilliant good looks that improve the appearance of any installation.

Every brake line made by Goodridge is 100% pressure tested and guaranteed to be leak free and give an improved braking performance. They are also 100% TUV, DOT, ADR and ISO approved and can be used worldwide.

Saloon braided hoses

- Stainless braided hoses, black, UNF Unions..... GBL702192 ... **£90.84**
- Stainless braided hoses, black, BSF Unions..... GBL702190 ... **£90.84**
- Stainless braided hoses, clear, UNF Unions GBL702122 ... **£90.84**
- Stainless braided hoses, clear, BSF Unions GBL702120 ... **£90.84**

Van & Pickup braided hoses

- Stainless braided hoses, black, UNF Unions..... GBL702191 ... **£90.84**
- Stainless braided hoses, black, BSF Unions..... GBL702193 .. **£161.52**
- Stainless braided hoses, clear, UNF Unions GBL702121 ... **£90.84**
- Stainless braided hoses, clear, BSF Unions GBL702123 .. **£161.52**



SPAX SHOCK ABSORBERS

The next step to improving the ride and handling of your car is to fit good quality shock absorbers.

Spax is one of Britain's most respected companies in this field. Their dampers give excellent service on all models plus, their adjustable shock absorbers have the ability for the adjustments to be made on the car. Available on their own or as part of a conversion kit. **Shock absorbers should always be replaced in pairs.**



See page A05 for more information



DISC BRAKE CONVERSION KIT

Drum brakes can be easily converted to discs with this kit, bringing Minor braking right up to date. The kit uses sliding calipers and specially machined discs, hubs and back plates to enable an easy conversion.

- Disc brake conversion kit, front..... MMA1100 ... **£742.90**
(Fits 1000 models from 1956 on only).
- Hub bearing kit, 1 side, replacement MMA11001 ... **£16.60**
- Brake pad set, replacement MMA11002 ... **£18.90**
- Brake disc, each, replacement..... MMA11003 ... **£34.30**

CSI-IGNITION DISTRIBUTORS

CSI-Ignition distributors offer a fully electronic ignition system built into the correct type of Lucas distributor housing to suit your car, keeping the original appearance in the engine bay. You can only tell the difference when you remove the distributor cap! Gone are the points and condenser and mechanical advance mechanism, all replaced with a high quality electronic ignition system manufactured using military specification components for durability and reliability. These distributors are maintenance free (no points to adjust), and of easier starting & smoother running, more torque & power, reduced fuel consumption & emissions. They also eliminate the weaknesses of mechanical timing advance and problems such as points bounce ensuring correct ignition timing throughout the rev range.



“The new range of CSI-Ignition distributors is a breakthrough for classic car ignition systems”.

Each CSI-Ignition distributor features 16 easily switchable, optimised ignition curves to allow timing adjustment to suit your car’s engine and fuel specifications. Alternative advance curves can be selected to suit your engine’s state of tune making them ideal for modified engines. Curves are easily selected using a screwdriver in a rotary switch, with a bright flashing LED indicator to show the selected curve all concealed underneath the distributor cap. The distributors are also available with an electronic immobiliser system to prevent unwanted starting of the engine. CSI-Ignition distributors are available Optimised with vacuum advance to suit 948-1098cc road or uprated cars running on SU carburettors. Please note: Some units may only be available to order. If your car is fitted with an alternative Spridget, Marina or Ital engine please visit our website or call with engine specifications. Search for CSI Ignition Distributor.

- Optimised, 25D4, positive earth CSD7014571 .£297.00
- Optimised, 25D4, negative earth..... CSD7014581 .£297.00
- Optimised with immobiliser, 25D4, positive earth .CSD7014671 .£448.90
- Optimised with immobiliser, 25D4, negative earth.. CSD7014681 .£448.90

You must use the conventional (non transformer) type coil with a minimum resistance of 2.5 Ohms, such as our sports coil (3.0 Ohms) Bypass the ballast resistor if fitted. The use of a transistor type coil will damage the CSI distributor and invalidate any warranty.

- Sport coil, 3 ohms TT2981..... £26.40



SMOOTH CUT REV LIMITERS

Save yourself from an expensive bill, designed to allow full use of power up to maximum revs, where they will not exceed the preset limit. They work by progressively miss-timing the spark preventing an increase in engine speed from over revving due to missed gears or over exuberance.

- SmoothCut rev limiter, 4 cyl., preset 6000rpm ... TT2987.....£111.60
- SmoothCut rev limiter, adjustable limit RL5£151.50



CSI-PRO IGNITION DISTRIBUTORS

CSI-PRO-Ignition distributors offer a fully electronic ignition system built into the correct type of Lucas distributor housing to suit your car, keeping the original appearance in the engine bay. You can only tell the difference when you remove the distributor cap!

Gone are the points and condenser and mechanical advance mechanism, all replaced with a high quality electronic ignition system manufactured using military specification components for durability and reliability. These distributors are maintenance free (no points to adjust), and offer the benefits of, easier starting & smoother running, more torque & power, reduced fuel consumption & emissions. They also eliminate the weaknesses of mechanical timing advance and problems such as points bounce ensuring correct ignition timing throughout the rev range.

The CSI-PRO-Ignition is a programmable distributor for your British classic car, allowing you to adjust and program the advance curves yourself. Two selectable pre-sets (modes) can be programmed, each with its own RPM and vacuum curve. Plus, various other settings such as speed limiter, maximum total advance and minimum RPM speed for activating the vacuum advance.

Edit and Write curves, even while the engine is running! The CSI-PRO-Ignition has the unique possibility to write the curves and other settings to the distributor, even while the engine is running, and to have the changes take effect immediately! The static setting (offset of 0 degrees) can also be shifted in steps of 1 degree, up to 10 degrees positive and up to 10 degrees negative, without having to rotate the distributor itself. An acceleration timer measures the time between 2 pre-set speeds to measure and compare the engine’s performance. An external switch can be used for switching between the 2 modes.

Key features:

- Edit and write curves even while the engine is running.
- Two pre-set modes for curves and settings.
- More unique programming options.
- Connectable with a USB module for Windows and/or with a Bluetooth module for Android and iOS.
- Smiths style Dashboard; real life data.
- Lucas style; 23D, 25D, 43D, 45D, 59D, 35D8.

- 25D4, negative earth..... CSD9933581 .£395.10
- 25D4, dual polarity..... CSD9933562.£412.60

The CSI-PRO can be linked with either the USB module or a Bluetooth module allowing the distributor to be programmed with a Windows laptop or an Android / iOS smartphone. Free software is provided for Window, Android and iOS.

- USB programming module..... CSD9931 £49.20
- Bluetooth programming module CSD9932 £90.60



NGK SPARK PLUGS & PLUG CAPS

Changing the spark plugs regularly ensures the engine performs well. NGK are renowned for making performance plugs giving a strong spark and long life.

Spark plug

Spark plug, all engine cc, standard tune BP6ES **£3.50**

Plug caps

- Straight plug cap, red, each NSB5 **£3.40**
- Straight plug cap, black, each NSB5BLK **£6.00**
- 60° plug cap, red, each NYB5 **£4.10**
- 60° plug cap, black, each NYB5BLK **£4.00**
- 90° plug cap, red, each NLB5 **£4.50**
- 90° plug cap, black, each NLB5BLK **£4.20**
- Push-in connector cap & coil, each GCL1110 **£2.60**



LUMENITION IGNITION

Lumenition electronic ignition kits are well known as being among the finest aftermarket electronic ignition systems available. This system basically replaces both the contact points and condenser with an optical switch and power module. The power module is an electronic device that receives a pulse from the optical trigger which switches the coil. The trigger eliminates contact bounce, arcing, mechanical wear and spark scatter, reducing maintenance and increasing reliability. With minimal wiring and modifications this kit is very discreet.

Note: Installation of a power module requires a distributor fitting kit.

A performance ignition kit is available, it includes a power module and a high output coil. The microcircuit control of the coil current gives optimum performance across high engine speed ensuring maximum spark energy at the coil. A fitting kit to suit the distributor application is also required. Positive earth wiring instructions are available from your branch. Please check your distributor type before ordering the fitting kit as many cars have non-original distributors fitted. The identification number is cast on the distributor body.

Performance ignition kit: Supplied with high energy coil and performance power module.

- Performance ignition kit CEK150 **£307.00**
- Replacement coil CEC **£65.10**

Power module and performance ignition coil

- Power module PMA50 **£219.40**
- Performance ignition coil, MegaSpark 4 LMS4 **£38.00**

Mounting bracket: Designed to mount the power module neatly using coil bracket screws. Suitable for all power modules.

- Power module mounting bracket MK006 **£12.90**

Fitting kits: Use these fitting kits with your choice of ignition kit.

- Lucas 25D4 distributors LFK116 **£22.10**



TMG10872

COBALT PERFORMANCE HT LEAD SETS

Get the spark from your coil with silicone HT leads that are designed to perform. These Cobalt leads use a high performance conductor to transmit greater energy to the spark plug creating a stronger spark for improved combustion. They also feature multi-layer reinforcing and insulation with a protective silicone outer sleeve and terminal boots for improved reliability. A Series engines with Lucas 25D distributors require a top entry distributor cap (GDC103).

- Cobalt silicone lead set TMG10872 **£25.20**
- Top entry push in distributor cap GDC103 **£6.50**



TT2982M

COMPETITION HT LEAD

If you want a performance HT lead with the correct period look then this 'bumblebee' lead is a must. As per the original 'Lucas' type it features a high conductivity copper core with a yellow insulator featuring a black stripe. Alternatively, use the standard black lead for an 'OE' look. We recommend you assemble leads with NGK suppressed plug caps.

- Bumblebee HT lead, per metre TT2982M **£11.80**
- HT lead, per metre, black AAA5981M **£3.70**

GCL1110



TT2981

SPORTS COIL

Sports coils are designed to improve ignition performance. They give more reliable starting power and greater performance at high revs thanks to the 40,000 volt output. Don't forget to renew your plugs and leads to optimise the power. Your HT lead into the coil will need to be the push-in type, use GCL1110 to convert the lead.

- Sports coil, non-ballast type TT2981 **£26.40**
- Sports coil, ballast type TT29812 **£26.40**
- Ignition lead, end kit GCL1110 **£2.60**

GAC8470X



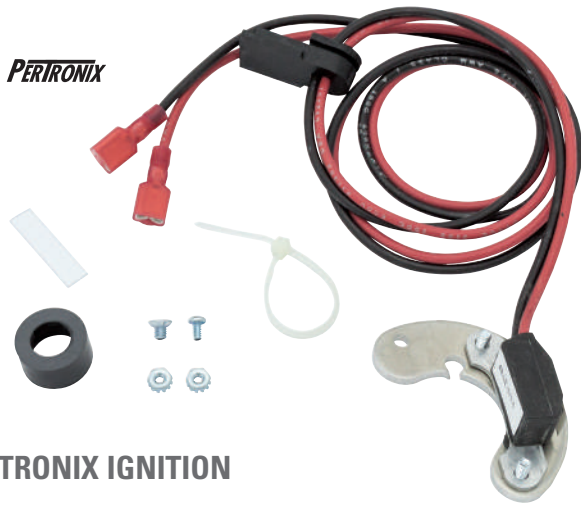
GAC8470CC



COIL CLAMP & COVER

Brighten up your engine bay with our stainless steel coil clamp and covers for standard coils only.

- Stainless steel coil, clamp only GAC8470X **£11.50**
- Stainless steel coil, clamp & coil cover set GAC8470CC **£18.30**



PERTRONIX IGNITION

Ignitor I

These completely self-contained electronic ignition units offer a simple alternative to traditional points and condenser arrangement. They are easy to install with no external control boxes to mount and only two wires to hook up and no permanent modifications involved. The unit uses a sealed Hall Effect sensor that is impervious to dirt, dust, moisture, or vibration, and retains standard advance curve. Unaffected by distributor shaft wear, maintains firing accuracy to within 1/4 degree, reduces spark scatter over the full rpm range. One year warranty.

- Pertronix Ignition I, Lucas, DM2, positive earth . . . 222-615£226.80
- Pertronix Ignition I, Lucas, DM2, negative earth . . . 222-605£207.70
- Pertronix Ignition I, Lucas, 25D4, positive earth . . . 222-555£188.20
- Pertronix Ignition I, Lucas, 25D4, negative earth . . . 222-405£172.00



Ignitor II

The Ignitor II has many of the same great features that the Ignitor has, but even more. The Ignitor II units sense the coil current level and use a powerful micro controller to adjust the dwell. Variable dwell helps to maintain peak energy throughout the entire RPM range. Ignitor II systems develop significantly more energy between 3000 and 5000 RPM than standard ignition systems. Built in reverse polarity and over current protection shuts down the system, preventing component damage.

- Pertronix Ignition II, Lucas, DM2, negative earth . . . 143-326£279.80
- Pertronix Ignition II, Lucas, 25D4, negative earth . . . 143-321£254.90



HT LEAD NUMBERING SET

Keep track of which HT lead is which with a set of numbered sleeves.
 HT lead numbering set, 4 cylinder CRST255 £4.70



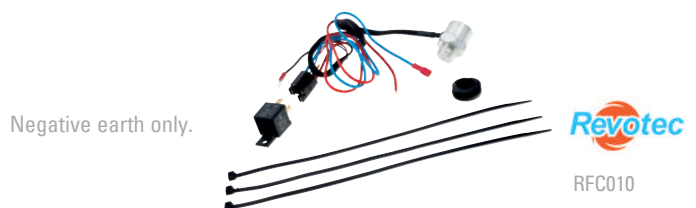
REVOTEC COOLING FAN KIT

Keeping your Minor's engine running at optimum temperature ensures you get the best performance and economy. Using the latest high efficiency fans with adjustable electronic controllers, these kits are designed to replace the standard original mechanical fan, reducing the load on the engine, noise and improving both power and mpg.

Unlike other fan kits that use a universal mounting system, this kit fits using bespoke laser cut brackets that mount directly to the radiator mountings. The brackets are bright passivated to give a smart appearance and prevent corrosion. The kits also use a precise electronic controller to enable easy adjustment to suit your car. **Negative earth only.**

A manual override switch is also available separately, enabling manual control of either On, Off or Automatic. Must be used with a Revotec Electronic Fan Controller.

- Revotec fan kit, negative earth RFK70£227.50
- Revotec fan kit, positive earth RFK70P£264.00
- Manual override switch RFC020£37.20



Negative earth only.



REVOTEC ELECTRONIC FAN CONTROLLERS

These units use the latest type of surface mounted electronic controllers to sense the temperature of the water in the cooling system. The controllers are designed to fit neatly into the cooling system without using capillary probes or radiator mounted clip on devices. This ensures that the coolant flow is not impeded, accurate temperature control and effective sealing of the coolant system are maintained. The self sealing EFC can be used in all applications. Please ensure there is sufficient space to fit an EFC hose fitting.

- EFC, self sealing RFC011£87.50
- EFC, hose fitting, 25mm RFC001£87.50
- EFC, M22 x 1.5, for threaded boss RFC010£87.50
 (Use with threaded boss soldered in to radiator header tank).
- Threaded boss, brass RFC012£12.30



OIL COOLER RADIATORS

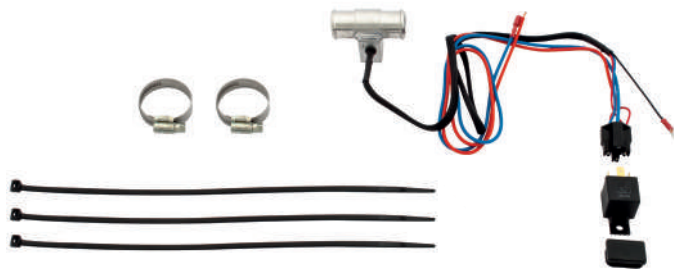
It is wise when modifying engines to allow for extra cooling, the oil should not be allowed to run too cool or too hot as this can lead to rapid engine wear. A 10 row radiator is suitable for road use or as a replacement for standard equipment, a 13 row radiator is suitable for fast road and occasional track use, a 16 row radiator is generally used for more regular track applications or for competition use, and a 19 row radiator is purely for competition use only as the oil will not get hot enough to work at optimum temperature in lesser applications. Oil Cooler Installation Kits are available separately, allowing you the choice of cooling depending upon your application, and include ready assembled hoses. Made in the UK.

1/2" BSP

10 row, standard, Mocal	ARO9807	£75.00
13 row, standard, Mocal	ARO9809	£93.00
13 row, standard, Moss	ARA221	£61.20
13 row, uprated, Mocal	ARA221X	£142.80
16 row, standard, Mocal	ARO9875	£100.40
19 row, standard, Mocal	ARO9888	£120.20

5/8" BSP

13 row, standard, Mocal	TT29631	£115.00
16 row, standard, Mocal	TT29641	£128.30
19 row, standard, Mocal	TT29651	£142.90



REVOTEC ELETRONIC FAN CONTROLLERS

Revotec's innovative engineering team has developed this simple unit using the latest technology, components and assembly methods to produce a robust and reliable unit that will not obstruct water flow. Each unit is non-leaking, incredibly easy to install and will operate and overcome all the problems associated with any capillary action and clip on devices. Each system is supplied with a relay and all necessary fittings. Suitable for use with all Revotec's electronic radiator cooling fans.

Positive earth

25mm	RFC001P	£124.00
28mm	RFC002P	£124.00
32mm	RFC003P	£124.00
35mm	RFC004P	£124.00
38mm	RFC005P	£124.00
45mm	RFC006P	£127.10

Negative earth

25mm	RFC001	£87.50
28mm	RFC002	£87.50
32mm	RFC003	£87.50
35mm	RFC004	£87.50
38mm	RFC005	£87.50
45mm	RFC006	£97.90



KLINGERSIL GASKET

Manufactured from a modern high performance synthetic material that can withstand much higher temperatures (up to 400°F) and extreme pressures (up to 750psi) making them ideal for fast road and competition engines.

Gasket thermostat housing, uprated..... GTG101X £1.66



DASHPOT COVERS FOR SU CARBURETTORS

Dashpot covers are an ideal way to enhance and brighten the engine bay.

HS2 dashpot cover, silver	SFR22	£26.80
HS2 dashpot cover, red	SFR22R	£26.80
HS4/HS6 dashpot cover, silver	SFR23	NCA
HS4/HS6 dashpot cover, anodised, blue	SFR23B	£26.20
HS4/HS6 dashpot cover, anodised, red	SFR23R	£26.20
HS4/HS6, dashpot cover, chrome	SFR150	£12.10
HS4/HIF6, dashpot cover, chrome, for short type	SFR175	£11.60



THERMOSTAT/BYPASS HOSE BLANKING KIT

The thermostat can be removed to aid cooling but it is essential that a blanking sleeve is fitted in its place or the change in water flow may cause local overheating in the cylinder block. For A series engines, improved water flow can be achieved by fitting our bypass hose blanking kit, this will help to keep your cylinder head cool.

Thermostat blanking kit	AJJ4012	£6.80
Bypass hose blanking kit	AJJ4013	£20.00



SPIN-ON OIL FILTER ADAPTORS/CONVERSIONS

Fitting a spin-on filter adaptor makes changing the oil much easier and cleaner, it also prevents oil draining out of the filter giving better oil pressure on start up. Oil filters supplied separately.

Spin-on oil filter conversion, 948-1275cc GFK1001 £87.70
(Suitable for all Tecalmit heads and all Purolator heads except with casting number MIC90020).

K&N Performance Gold[®] oil filter..... 235-830..... £13.00
Oil filter, standard, for GFK1001 only..... GFE166..... £3.00



Spin-on oil filter conversion & hose, 948-1275cc .. 235-875..... £58.60
(This spin-on conversion is suitable for all models as it replaces the filter head and pipe assembly. Ideal if filter head or pipe is damaged or missing).

K&N Performance Gold[®] oil filter..... 235-830..... £13.00
Oil filter, standard, for 235-875 only GFE173..... £4.60



UPRATED OIL PUMP

This oil pump is the later type and will produce sufficient oil pressure for all requirements. For competition use check that the tolerances are kept to the lower end of the scale.

Uprated oil pump, 948-1098cc GLP142 **£21.30**



MGS108322

CRANKSHAFT OIL SEAL CONVERSION KIT

To overcome the problem of oil leaks from the rear crankshaft scroll seal, we offer modern 'lip type' oil seal conversion kit for the venerable A series engine. The kit includes specially machined housings, fittings and full instructions.



MGS108322S

Crankshaft oil seal conv., Minor, 948-1098cc.... MGS108322. **£117.40**
 Replacement oil seal, MGS108322 MGS108322S **£18.00**

Also available for other A series engines if used in conversions.

Crankshaft oil seal conv., Spridget, 1098cc, 10cc .. MGS108321. **£100.00**
 (2" diameter main bearing journals).
 Replacement oil seal, MGS108321 MGS108321S **£19.50**
 Crankshaft oil seal conversion, Spridget, 1275cc.. MGS10832... **£106.60**
 Replacement oil seal, MGS10832 MGS10832S... **£17.70**
 Crankshaft oil seal conv., Marina/Ital, 1275cc.... MGS108323. **£122.00**
 Replacement oil seal, MGS108323 MGS108323S **£118.40**



TT2900

TT2901

OIL CATCH TANKS

If you modify the breather or induction systems of your car for either road or track use collection of oil should be considered. An oil catch tank is a must for competition use to prevent oil spillage on the track. Manufactured from high grade aluminium and anodised for a smart, durable finish they feature 2 x 1/2" OD connectors for the breather hoses, level indicator, breather cap and drain plug. Available in 1 litre or 2 litre sizes. Mount using the rear flange to a suitable vertical panel in the engine bay.

Oil catch tank, 1lt TT2900. **£172.40**
 Oil catch tank, 2lt TT2901. **£187.10**
 Breather hose, 1/2" ID, per metre BAU5065M... **£10.20**
 Hose clip, each..... GHCC11016 **£3.00**



KN56-1630A

KN56-9095

K&N AIR FILTERS

The last air filter you will ever need. K&N filters have a 1,000,000 mile guarantee, they just need cleaning and re-oiling periodically. K&N cotton gauze filters give virtually unrestricted air flow, whilst still providing very high levels of filtration to protect your engine. We stock a range of filters suitable for various SU carburettors.

HS2 centre mounting, 45mm, 1 3/4" deep KN56-9121 .. **£120.00**
 HS2 offset mounting, 45mm, 1 3/4" deep..... KN56-1630A. **£120.00**
 HS/HIF4 centre mounting, 45mm, 1 3/4" deep .. KN56-1390A. **£120.00**
 HS/HIF4 centre mounting, 54mm, 2 1/8" deep .. KN56-9093 .. **£125.00**
 HS4 centre mounting, 83mm, 3 1/4" deep KN56-9095 .. **£100.00**
 HS4 offset mounting, 45mm, 1 3/4" deep..... KN56-9128 .. **£120.00**



KN56-1400A

KN56-9098

HS6 centre mounting, 45mm, 1 3/4" deep KN56-1400A. **£120.00**
 HS6 centre mounting, 54mm, 2 1/8" deep KN56-9096 .. **£120.00**
 HS6 centre mounting, 83mm, 3 1/4" deep KN56-9098 .. **£105.00**
 HS6 offset mounting, 45mm, 1 3/4" deep..... KN56-9132 .. **£130.90**
 HIF6 centre mounting, 45mm, 1 3/4" deep KN56-9136 ... **£88.80**



BREATHER FILTERS

Engine breather filters are an alternative to running pipes from crankcases, clutch housings and timing cover breathers to the inlet manifold, they are particularly useful if induction set ups have been changed. Filters simply push on and are retained by a hose clip. Just remember to block off the other fitting on the carburettor or air filter where the original pipe was attached.

K&N crankcase breather filters

1 Breather filter, 2" diameter, 1/2" external inlet . KN62-1010 ... **£29.00**
 (Filter has 1/2" (12mm) OD metal inlet stub to fit into 1/2" (12mm) ID breather hose).
 2 Breather filter, 2" diameter, 1/2" internal inlet .. KN62-1330 ... **£29.00**
 (Filter has 1/2" (12mm) ID rubber inlet to fit onto 1/2" (12mm) OD .. breather pipes).

Aftermarket crankcase breather filters

3 Breather filter, 12mm inlet, blue MT1200 **£7.70**
 4 Breather filter, 12mm inlet, chrome MT1201 **£6.60**
 5 Breather filter, 12mm inlet, red MT1202 **£7.70**
 (Filters have 1/2" (12mm) ID rubber inlet to fit onto 1/2" (12mm) OD breather pipes).

K&N CLEANING & OIL KIT

K&N cleaning and oil kit 001-130..... **£17.50**
 (250ml oil and 400ml cleaner).



STELLING & HELTINGS AIR FILTERS

Stelling & Hellings air filters were a popular aftermarket air filter used on many American hot rods & sports cars. Their filters were supplied as original equipment on the 427 Cobra. These exact reproductions are chrome plated with a mesh filter.

- Stelling & Hellings air filter, SU Carbs, 1 1/4" . . . 223-100 **£46.30**
- Stelling & Hellings air filter, SU Carbs, 1 1/2" . . . 223-200 **£46.30**



PIPER AIR SOCKS

These air socks can be used with our piper ram pipes. They are supplied in pairs at 100mm long. They can be cut to size, though you must leave a minimum of 30mm between the inner face and the ram pipe mouth.

- Piper air socks, pair PXC1050 **£28.60**



RAM PIPES

Ram pipes (except period style) are fitted inside the air filter to help smooth the air flow into the carburettor. The shorter the ram pipe the higher up the rev range power is produced. If using with an air filter, a minimum clearance of 1 1/2" between the ram pipe and the filter case is recommended to ensure maximum air flow.

Ram pipes for SU carburettors

- 1 HS4 K&N ram pipe, silver KN85-5039 **NCA**
- HS2 ram pipe, silver SFR230 **£31.60**
- 2 HS4 ram pipe, silver SFR430 **£33.50**
- 3 HIF44 ram pipe, silver SFR4430 **£35.70**
- 4 HS6 ram pipe, silver SFR650 **£31.60**



- 5 HS2 period ram pipe, short SFR1 **£21.20**
- HS4 period ram pipe, short SFR2 **£21.20**
- 6 HS6 period ram pipe, short SFR3 **£21.20**
- HS2 period ram pipe, long SFR4 **£21.20**
- 7 HS4 period ram pipe, long SFR8 **£21.20**
- 8 HS6 period ram pipe, long SFR9 **£21.20**



TMG2930K

HIGH CAPACITY FUEL PUMPS

The standard fuel pump may not be able to maintain adequate fuel flow and pressure at higher engine speeds, particularly with a tuned engine. The Facet range of fuel pumps will suit all standard and modified engines fitted with carburettors. They give constant fuel flow and pressure, even at high temperatures eliminating the problems associated with vapour lock.

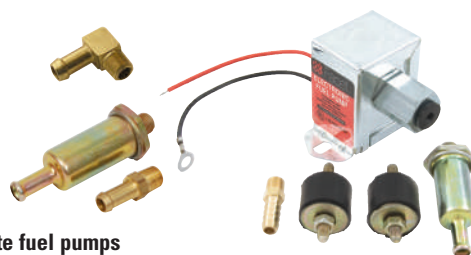
The pumps are available in a variety of specifications to suit the engine's fuel pressure and flow requirements. Further fine tuning of the fuel pressure can be easily achieved by the use of a separate fuel regulator, see opposite. With safety in mind we recommend fitting a fuel pump inertia switch kit, so that in the event of an accident fuel delivery is automatically cut-off. Fuel lines may require adapting to install the new pump, check pipe sizes to select the correct unions, additional unions may be required.

Cylindrical fuel pumps

Formerly known as interrupter type pumps, these heavy duty pumps can be fitted at the front or rear of the car and up to 600mm above the bottom of the fuel tank. Kits are supplied with mounting & 8mm unions, alternative size unions available.

- Cylindrical fuel pump kit, road, silver top TMG2930K . . . **£118.30**
(Up to 150bhp, flow rate: 30 gal/hr, 4.0-5.50 psi, unions: 8mm x 1/8 npt).
- Cylindrical fuel pump kit, fast road, silver top MGS2930K . . . **£120.50**
(Up to 200bhp, flow rate: 35 gal/hr, 6.0-7.0 psi, unions: 8mm x 1/8 npt).
- Cylindrical fuel pump kit, competition, red top MGS2932K . . . **£109.60**
(Above 200bhp, flow rate: 40 gal/hr, 6.0-8.0 psi, unions: 8mm x 1/8 npt).
- Cylindrical fuel pump only, competition, red top TT2930 **£98.60**
(Above 200bhp, flow rate: 40 gal/hr, 6.0-8.0 psi, 1/4 npt threads).

MOC1841



TMG2931K

TT29321

Solid state fuel pumps

These pumps should be mounted at the rear of the car (as they are designed to push fuel rather than draw fuel) and ideally below fuel tank level, although they will work up to 300mm above the bottom of the fuel tank. Kits are supplied with mounting & 8mm unions, alternative size unions available.

- Solid state fuel pump kit, fast road TMG2931K . . . **£87.20**
(Up to 150bhp, flow rate: 32 gal/hr, 4.5-7 psi, unions: 8mm x 1/8 npt).
- Solid state fuel pump only, fast road MGS2931 **£57.10**
(Up to 180bhp, flow rate: 34 gal/hr, 7.0-10.0 psi, 1/8 npt threads).

Fuel pump unions

Use with the listed fuel pumps, please check thread and pipe size before ordering.

- Straight union, 6mm (1/4"), 1/8 npt FPA903B **£1.90**
- Straight union, 8mm (5/16"), 1/8 npt MOC1604 **£3.80**
- Straight union, 8mm (5/16"), 1/4 npt FPA904/A **£2.90**
- Straight union, 10mm (3/8"), 1/4 npt FPA904/B **£3.20**
- 90° union, 8mm (5/16"), 1/8 npt MOC1841 **£7.30**
- 90° unions, 8mm (5/16"), 1/4 npt, pair TT2930A **£8.30**
- 90° unions, 10mm (3/8"), 1/4 npt, pair FPA902B **£7.50**

Fuel filter union

- Unions, 6mm (1/4"), 1/8 npt, pair TT29321 **£7.50**
- Union, 6mm (1/4"), 1/8 npt FPA906 **£4.20**

TT2927



TT2925

FUEL REGULATORS

We recommend the fitment of a fuel regulator which allows fine adjustment to the fuel pressure to suit your requirements.

- 67mm deep glass filter/regulator, 1/4" union, ea... TT2927 £66.10
- 85mm deep glass filter/regulator, 5/16" union, ea. . TT2928 £86.60
- Fuel pressure regulator, 1/4" union, each TT2925 £70.00
- Fuel pressure regulator, 5/16" union, each TT2926 £70.00
- Filter for TT2927 TT29270 £4.80
- Filter for TT2928 TT29271 £9.00
- Seal ring for glass bowl..... TT29272 £3.00

IN-LINE FUEL FILTERS



This smart looking fuel filter features a glass body with chrome plated end fittings and a cleanable gauze filter.

- In-line fuel filter, 1/4" (6mm) PRO804 £9.50
- In-line fuel filter, 5/16" (8mm) PRO805 £9.40
- End seal PRO895 £0.86
- Replacement filter element, pack of 3 PRO896 £4.90



BRASS FLOAT FOR FUEL SENDING UNIT

Due to the increased additives that are being used in fuels nowadays, the original Smiths plastic sending units are beginning to have increased problems. We now offer this brass float alternative that will work with these original Smith's sending units (will not work with early Smith units with soldered metal floats).

- Brass float, fuel tank sending unit 360-646 £11.60

ROCKER COVERS

An alloy rocker cover will improve the appearance of your engine bay and, as an added advantage, will help to muffle valve train noise. Always fit a new gasket when replacing your rocker cover, and do not over tighten rocker cover nuts.



Our rocker cover kits include alloy cover, gasket, seals, chrome spacers, nuts, washers, and chrome filler cap.

- Ribbed rocker cover kit, polished WPA9007X £50.20
(Kit includes: Rocker cover GAC4068P and fitting kit GAC4069FK).
- Ribbed rocker cover, polished GAC4068P £34.50
- Ribbed rocker cover, red GAC4068R £50.30
- Ribbed rocker cover, blue GAC4068B £50.30



FUEL PUMP INERTIA SWITCH

This inertia switch is a good safety feature when using an electric fuel pump. The switch unit mounts to a vertical surface in the engine bay and in the unfortunate event of a crash cuts the power to the fuel pump preventing fuel spillage. Supplied with multi connector and tail leads to allow easy connections.

- Fuel pump inertia switch kit C41220AX £35.30
- Inertia switch fitting kit C41220AXFK £19.60



GROSE JETS FOR SU CARBURETTORS

Grose jets use a more modern ball valve so they won't stick open.

- Grose jets for SU H/HS carburettors GAC9201X £9.40
- Grose jets for SU HIF carburettors GAC9202X £16.20



AJJ3325

TIMING CHAIN KITS

It is preferable to change from a single row chain (simplex) to twin row chain (duplex) as the twin chain is less prone to stretching. The cam timing can also be optimised via an adjustable Vernier cam gear. Please see manufacturer's data for correct timing figures.

- Duplex conversion kit, 948-1275cc AJJ3325 £30.60
- Vernier camshaft gear, 948-1275cc TMG10828 £120.00

WPA9007X



WPA9029X

GAC4069FK

- Fitting kit for rocker cover GAC4069FK £20.80
(Kit includes: Oil cap, seals and chrome spacers/nuts/washers).
- Spacer and chrome washer kit GAC4069WK £8.00
(Kit includes: Chrome washers, chrome spacer kit and rubber grommets).
- Rocker cover gasket, all GUG705009VC £2.40
- Rubber seals, 2 required 12A1358 £0.79
- Cup washer, chrome, 2 required 12G679 £1.45
- Nut, chrome, 2 required 2A150CP £3.70
- Knurled nuts for rocker cover, pair WPA9029X £10.50
(These knurled thumb nuts replace the standard nut/studs).
- Oil filler cap, chrome 8G612CP £9.70
- Oil filler cap, steel/matt finish 8G612 £8.30
- Rocker cover T bars, chrome, pair WPA9039X £5.80
- Rocker cover T bars, anodised red, pair WPA9039R £8.60
- Rocker cover T bars, anodised blue, pair WPA9039B £8.60
- Spacer for T bars, 2 required CAM6921 £2.00



HYDRAULIC CLUTCH CONVERSION

This conversion kit replaces the standard mechanical linkage with a hydraulic circuit. Using a hydraulic system benefits as the hydraulic system is self adjusting and gives a more progressive feel to the pedal. The kit includes master and slave cylinders, remote reservoir, pipe work, all necessary hardware and fittings.

Important: This kit is not compatible with 5 speed conversions.

Hydraulic clutch conversion kit, 1098cc only. . . . MMA1300 . . .£201.70



ALUMINIUM CYLINDER HEAD (STANDARD)

Working to original drawings, this brand new 1275cc cylinder head is designed to the original factory specification. When fitting an aluminium head, you must run with 100% summer coolant that contains the correct inhibitors to prevent corrosion and electrolytic reaction. We recommend you use new hardware, nuts, studs, etc... when fitting these heads to ensure a good fit.

All our 5-port heads are supplied as fully machined bare heads, with bronze valve guides and lead free valve seats. Heads can be modified to a higher specification. For detailed specifications please call your nearest Moss branch.

Aluminium cylinder head, 1275cc. 451-875. . . .£1,254.40



ALLOY ENGINE BACKPLATE

These alloy engine back plates are stronger and lighter than a standard steel unit, offering a worthwhile weight saving especially for competition cars. Pre-drilled for easy installation.

Alloy backplate, 1275cc. MGS20817. . .£174.00



ALUMINIUM CYLINDER HEAD (CROSSFLOW)

BMC A Series 7 port Crossflow Aluminium Heads are assembled with valves and springs. Ready for a pair of DCOEs or throttle bodies. Supplied with carb mounting studs, washers, nuts and gaskets, the head can be used on 848/950/997/998/1098 and 1275cc.

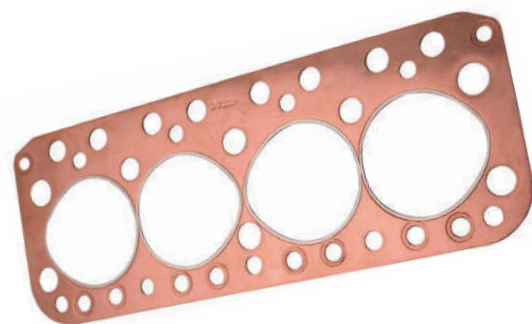
The head is designed to utilise the standard valve gear, and is fitted with standard size AE valves - 1.3inch 33mm intake / 1.15 inch 29mm exhaust. Standard AE valve springs are also used. Combustion chamber volume is 23cc.

The head is supplied with hardened valve seats to allow the use of unleaded fuels.

Standard gaskets can be used with the exception of the head gasket where copper gaskets are not recommended and all torque settings are as stock. The stock exhaust manifold can be used, and exhaust manifold and thermostat housing stud threads are cut at 5/16 UNC.

Aluminium cylinder head, assembled, A-Series . . . 451-808. . .£1,884.00

Aluminium cylinder head, bare, A-Series 451-807. . .£1,269.40



CYLINDER HEAD GASKETS

To reduce the risk of head gasket failure on high compression performance engines it is wise to fit one of these up rated copper faced head gaskets. The manifold gasket is to be used when the exhaust and inlet ports have been modified on 1275cc cylinder heads.

Head gasket, uprated, 948-1098cc MST207£11.70

Head gasket, copper asbestos competition, 1275cc AHT188. . . .£24.00

Head gasket, uprated, 1275cc. MST208£17.50

Head gasket, solid copper, 1275cc. 387-520. . . .£119.50

Head gasket, metro turbo GUG702560HG £20.70



HIGH TORQUE STARTER MOTOR

This brand new powerful, lightweight starter motor is high torque. This means it is less likely to burn out under the strain of cranking your engine over, especially with high compression engines.

High torque starter motor, 948-1275cc GXE4405XM £222.80



PT10802

DYNATOR CHARGING SYSTEM

For owners wishing to fit an alternator but prefer to keep the original appearance for aesthetic reasons, or for competition scrutineering rules, the Dynator is the answer. Basically, it's an alternator in a dynamo casing, and comes complete ready to fit, available for positive and negative earth. Instructions provided.

Dynator charging system, negative earth PT10802.....£455.60
 Dynator charging system, positive earth PT10802P ...£546.80



130-068

ALTERNATOR CONVERSION KIT

Update your Minor's charging system to an alternator with our comprehensive kit. An alternator provides more reliable charging and increased output which is particularly useful when several electrical systems are being used at once, such as lights, wipers, blower etc.

The kit includes an 18ACR, 45 amp alternator, pulley, drive belt, brackets, hardware and comprehensive instructions. The car must also be converted to negative earth.

Alternator conversion kit 130-068.....£150.00
 Fan belt replacement GCB10825....£13.40



PERTRONIX ELECTRONIC IGNITION

These self contained electronic ignition units offer a simple alternative to traditional points and condenser arrangement.

Designed to fit entirely within the distributor cap, they are easy to install with no external control boxes to mount and only two wires to connect. No permanent modifications are involved. The unit uses a sealed Hall Effect sensor that is impervious to dirt, dust, moisture, or vibration and retains standard advance curve. Unaffected by distributor shaft wear, maintains firing accuracy to within 1/4°, reduces spark scatter over the full rpm range. One year warranty.



See page A10 for more information

BATTERY CUT-OFF SWITCHES

Battery cut-off switches are a good idea for all cars. Fitting one enables you to quickly isolate the battery and immobilise the car; ideal when working on your car, or if you intend to put your car into storage. Use with a battery conditioner, see our website or our Restoration Tools catalogue.



Battery mounted cut-off switches

These cut-off switches simply mount to the battery post and feature a screw-in knob to break the circuit. Available with a bypass fuse to allow sufficient current to pass to operate clocks, alarms and coded radios, but if any attempt is made to start the car the fuse will blow.

- Battery mounted cut-off switch GAC3192X **£8.30**
- Battery mounted cut-off switch with bypass fuse . . GAC31921 **£13.20**



In-line cut-off switches

These cut off switches need to be fitted into the main battery to starter cable. The body of the switch should be mounted securely to the car and cables fitted using the terminal kit.

Period cut-off switch

These are reproductions of the Lucas 'Battery Master Switch' which was a popular accessory on many British classics.

- Period battery cut-off switch, short knob 1B2804 **£38.20**
- Period battery cut-off switch, long knob 1B2804L **£38.20**



Motorsport cut-off switches

Battery cut-off switches are obligatory for competition cars and should be fitted with a cable for remote access.

- Battery cut-off switch TT7964 **£8.50**
- Battery cut-off switch, race spec., FIA approved . . TT7962 **£37.00**
- Remote cable, 6 foot TT79621 **£13.50**
- Spare key for switches TT7964 and TT7962 TT79641 **£2.30**
- Terminal kit for battery cable TT7964TK **£11.20**



TWIN HORNS

Opt for the distinctive sounding Lucas style windtone horn set.

- Windtone horn set 1B9007/8 **£70.80**

Our twin air horn kit includes two tone horns, a heavy duty die cast compressor and all the necessary fittings and full instructions.

- Twin air horn kit GAC9978X **£44.60**
(Note: This kit may not be legal for road use, please check local regulations).



NON-LEAK BATTERY

Suitable for most 12 volt applications it is a totally sealed, maintenance free battery that will not leak, even if split. The acid is completely absorbed into glass mat separators between the plates. Other advantages are that as there is less internal resistance, it offers more cold cranking capacity than a conventional wet battery.

It is also more resistant to heat and vibration and has a slower self discharge rate than a wet battery (loses 2-3% a month as opposed to a wet battery losing about 15% a month). Great in any car, particularly for sports or competition due to its small size (20 x 20 x 13cm). Its unique design means that it can be shipped by mail order.

- Non-leak battery MXV1129X **£193.30**



BATTERY TRAY

This clever yet functional item, completely hides all but the most terminal symptoms of battery box plague. Ribbed for extra strength, this battery tray protects against corrosion and also makes cleaning around the battery easier.

- Battery tray AM7301 **£42.50**



GENERAL SWITCHES

A range of period looking switches for general purpose use. Use a momentary switch for starters, horns, washers, and the 1 position for auxiliary lamps.

- 1 Push button switch, momentary 3H3058 **£12.50**
- 2 Toggle switch, momentary GWW102X **£19.40**
- 3 Toggle switch, on/off RTC430A **£5.10**
- Pull switch, on/off, white illumination GAE132 **£24.80**
- 4 Pull switch, on/off, green illumination GAE132G **£24.80**
- Pull switch, on/off, red illumination GAE132R **£24.80**
- Pull switch, on/off, yellow illumination GAE132Y **£24.80**
- Fuse holder, in-line UKC4446 **£2.15**



CLASSIC HORN

This replacement chrome classic horn is suitable for most classic cars.

- Chrome classic horn MT9143 **£18.90**



SPOT & FOG LAMPS

Give your classic a classic rally look with our range of lamps, and see where you're going at night! All use an H3 replacement bulb GLB453 and can be fitted using the universal wiring kit GAC4027.

- Angel eye spot lamps, 5.5", chrome, pair GAC4601 **NCA**
- Angel eye fog lamps, 5.5", chrome, pair GAC4602 **NCA**
- Driving lamps, 5", stainless steel, pair GAC4619 **£58.50**



- Standard pattern spot lamps, 5.5", chrome, pair .. GAC4610 **£55.00**
- Standard pattern fog lamps, 5.5", chrome, pair ... GAC4611 **£60.30**
- Replacement bulb, H3 GLB453 **£4.30**
- Wiring fitting kit, universal GAC4027 **£13.90**

- Wipac 5.5" chrome plated driving & fog lamps, with tough plastic lens covers.
- Wipac driving lamps, pair WPS6007 **£38.40**
- Wipac fog lamps, pair WPS6078 **£38.40**



CLEAR INDICATOR LENSES

- Give your Minor an updated clear lens look with these conversion lenses.
- Clear lens, each 47H5508 **£18.80**
- Bulb, amber, each GLB343 **£2.15**



AUXILIARY REVERSE & FOG LAMPS

Many classics were not originally fitted with reverse or rear fog lamps. These universal polished stainless steel lamps measure 55mm x 110mm (2" x 4.5" approx.) and can be easily fitted to any classic, ideal for mounting under bumpers etc.

Fog lamps require an illuminated switch mounted visibly on the dashboard, see general switches on page A14.

- Auxiliary fog lamp GAC4608 **£20.40**
- Auxiliary reverse lamp GAC4609 **£22.30**
- Replacement bulb, 12V 20W GAC4608B **£3.60**



PERIOD STYLE LAMPS

These outstanding reproductions of the original Lucas L576 units are available as either a driving lamp with a clear lens or a fog lamp with a fluted lens in either a base or back mounting. Use a back mounted fluted lamp as a works style reverse lamp.

- Driving lamp with clear lens, 5", each MM162-701 **£87.20**
- Fog lamp with fluted lens, 5.5" front, each MM162-800 **£87.20**
- Back mounted lamp with fluted lens, 5.5", each .. BHA4399 **£87.20**
- Back mounted lamp with clear lens, 5.5", each .. 57H5322 **£87.20**

Don't worry if your spot or fog lamp gets damaged we stock replacement glass lamp units, so you don't have to buy the whole lamp again.

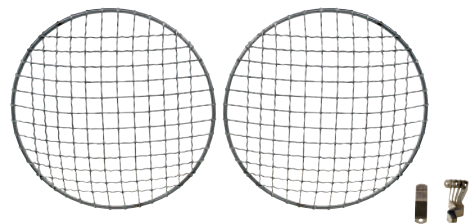
- Replacement lamp unit with fluted lens, each. ACG5179 **£40.50**
- Replacement lamp unit with clear lens, each. 57H5015 **£42.20**
- Replacement bulb driving lamp, each GLB185 **£4.80**
- Replacement bulb fog lamp, each GLB323 **£6.20**



SPOT/FOG LAMP COVERS

This authentic 1950-60's style, vinyl spot/fog lamp cover features the Lucas lion logo. It has a small clear window to see if the lamps are on or off.

- Lucas spot/fog lamp cover, 6", black, each 162-705 **£51.50**
- Lucas spot/fog lamp cover, 7", black, each 162-706 **£51.50**



CHROME HEADLAMP STONE GUARDS

- Protect your headlamps with these period styled chrome headlamp guards.
- Chrome headlamp stone guards, pair GAC8000X **£13.50**



ALLOY HEADLAMP RIMS

Give your classic that individual look and save maybe a gram or two with these anodised silver aluminium headlamp rims.

- Alloy headlamp rim, each 500929ALLOY . **£30.70**

WIPAC



GAC4023Z

H4 HALOGEN HEADLAMP CONVERSIONS

Fitting a halogen headlamp conversion is one of the easiest and most worthwhile improvements you can make to your classic. Powerful halogen bulbs with an improved lens design result in a superior light beam without blinding oncoming traffic.

Wipac quad optic kits

- No pilot, RHD, pair GAC4022 **£51.90**
- No pilot, LHD, pair MGE203 **£68.50**
- With pilot, RHD, pair GAC4023Z ... **£54.60**
- With pilot, LHD, pair WPS4699 **£70.80**

Lucas H4 asymmetric kits

These are genuine Lucas H4 asymmetric halogen lamp units.

- With pilot, RHD, pair GAC4023 ... **£111.70**
- With pilot, LHD, pair LULUB802 .. **£103.80**
- No pilot, LHD, pair LULUB803 .. **£111.70**

Replacement bulbs

You can choose to fit the standard 60/55W H4 bulbs, or replace them with either uprated H4 100/90W or super white xenon bulbs. The super white xenon bulbs are approximately 30% brighter than halogen.

- Standard halogen, H4 60/55 watts, each GLB472 **£5.60**
- Halogen, H4 100/90 watts, each, check regs. GLB484 **£6.60**
- Xenon, H4 60/55 watts, pair GLB472X **NCA**
- Xenon, H4 60/55 watts, blue tint, pair GLB472BLU .. **£11.10**
(Xenon bulbs are up to 30% brighter than the standard halogen bulb).

HEADLAMP PROTECTORS



A thin, invisible layer of Lamin-X protects headlamps from stone chips and scratches, and keeps your lights looking new for years to come. Fits all 7" round headlamps. Sold as a pair. Lamp unit not included.

- Headlamp protectors, pair 162-695 **£19.30**



CHROME HEADLAMP PEAKS

- Headlamp peaks, pair GAC7999X **£15.90**



H4 LED CONVERSION

Producing light levels of 3000 lumens per bulb, this LED conversion kit is 3 times brighter than a standard Halogen H4 bulb, meaning vastly improved visibility and safety when driving your classic car at night. Emitting a bright white 6000K colour and a 10,000+ hour lifespan, you'll never worry about visibility in low light conditions again. Features; A pair of premium quality 25W LUMILED LUXEON Z ES LED H4 light units and low load plug and play dual polarity drivers. Note: Suitable for H4 light units only and not suitable for sealed beam lamps.

- H4 LED conversion 171-250 **£103.50**



506370X

LU554308

TRIPOD HEADLAMPS

Original equipment on early British cars. These Tripod style headlamps can be retro fitted to any suitable classic, but expect a reduction in light output. Suitable for period drives in the country on a warm summers evening. Tripod headlamps use BPF bulbs.

- Tripod headlamp assembly, RHD, each 506370X **£135.00**
- Tripod headlamp assembly, LHD, each 506372X **£98.50**
- Tripod lamp unit, RHD, each LU554308 ... **£104.60**
- Tripod lamp unit, LHD, each LU555296 ... **£91.40**
- Replacement bulb, RHD, each GLB414 **£3.90**
- Replacement bulb, LHD, each GLB415 **£9.40**



GAC4600

GAC4022X

CRYSTAL HALOGEN HEADLAMP KITS

These crystal lamps give your car a modern look with the beam pattern moulded into the reflector rather than the lens. Manufactured with a tough polycarbonate clear lens they are available with or without pilot lamp, and are a direct replacement for original 7" sealed beam or H4 conversion lamp units. Headlamp bulbs are supplied separately.

- Crystal halogen without side light kit**, pair GAC4022X ... **£63.60**
- Crystal halogen with side light kit**, pair GAC4023X ... **£51.50**
(*E marked for legal road use. Use dipping H4 bulbs. RHD only).
- Crystal halogen with angel eye kit*, pair GAC4600 **£60.80**
- Crystal halogen kit*, pair GAC4615 **£41.50**
(*NOT 'E' marked for legal road use, no dip pattern).



117-515

HEADLAMP RELAY KITS

Fitting halogen headlamps puts high loads on electrical components. These kits allow easy installation of relays into the headlamp circuit allowing for the high current circuit to be run through the relay. Fitting relays in headlamp circuits protects your wiring and reduces the resistance in the circuit allowing full power to the lamps. Kits include relays and fittings. The single relay kit can also be used for wiring spotlamps, horns and other electrical accessories.

- Headlamp relay kit, 2 relay 117-515 **£39.00**
(Inc: 2 relays, pre-wired relay holders, fitted terminals, fittings & instructions).
- Relay kit, 1 relay GAC4027 **£13.90**
(Inc: 1 relay, non-assembled wiring, terminals & fittings).
- PVC tubing, pre cut metre, black 504806 **£2.32**



BADGE BARS & MOUNTING CLIPS

These badge bars allow you to mount a selection of badges to your Morris Minor by fitting the bar to the existing bumper mounts. Featuring a polished stainless steel tube and the option of with or without lamps brackets, these badge bars with highlight the front on your car and show off all your prized badges. Simply fits to the main bumper mounting spigot behind the bumper iron, no drilling necessary. Badge clips sold separately.

- Badge bar without lamp brackets..... MMA2001 **£55.10**
- Badge bar with lamp brackets..... MMA2002 **£80.30**
- Clip, badges to bar GAC8041X..... **£4.90**
- Mounting plate, optional badges..... GAC8042X..... **£6.40**



BOOT RACKS

Boot racks are an extremely useful, particularly when touring, providing invaluable extra luggage space. Our clamp-on boot racks are a universal fitment that have rubber mounting pads and clamp to the sides of the boot lid.

- Boot rack, alloy GAC4001 ... **£138.80**
- Boot rack, alloy with wood slats..... GAC4005X .. **£155.40**



- Boot rack, stainless steel GAC4004SS. . **£175.50**
- Boot rack, stainless steel with wood slats..... GAC4005SS. . **£184.10**



- Boot rack fitting kit BRK2 **£40.40**
- Boot rack sucker set, 4 piece..... BRS4..... **£24.00**



BONNET STRAPS & PIN SET

Our bonnet straps are manufactured from high quality leather with stainless steel end plates, available in tan or black either individually or in pairs. Or choose a set of stainless steel bonnet pins to give a modern competition look. Some bodywork modification is required to enable their use.

- Bonnet strap, black, single222-601 **£20.60**
- Bonnet strap set, black, pair222-602 **£39.20**
- Bonnet strap tan, single222-729 **£20.60**
- Bonnet strap set, tan, pair222-728 **£39.20**



- Stainless steel pin setMRAC801S .. **£30.85**

RETRO SOUND RADIOS

The RetroSound range of radio and MP3 players feature the original 'twin knob' style mounting required for many classic cars.

Music can be played from external sources such as iPods, USB flash drives, and SD cards, all connected out of sight. Some models offer iPhone play and charging, hands free communication and Bluetooth.

There are a variety of faceplates & knob kits available in different finishes to enhance your look.

RetroSound
Modern Sound for your Classic

See page A46 for more information



BMC Drivers Club
GAC9967X
£101.40



British Motor Racing
Marshals Club
GAC9987X
NCA



British Racing &
Sports Car Club
GAC9969X
NCA



BARC Brooklands
GAC9966X
NCA



UK mainland
105-432
£8.30



St. Christopher
GAC9970X
£94.50



England Union flag
GAC8043X
£37.20



Great Britain
Union flag
408-506
£26.50



GB letters stick on,
chrome
MRD1034SA
£14.20



GB letters set
3 piece, chrome
MRD1034A
£13.20



Union flag stick on,
chrome
GAC4100CR
£14.00



RAC diamond
GAC9971X
£43.00



RAC round laurel
GAC1028X
£67.70



RAC
GAC8045X
£37.40



Union flag 'flying'
DAG000080MMM
£22.60



Union flag screw fit
(35 x 57mm), chrome
GAC4101
£20.20



Union flag magnetic
MM215-330
£12.20



Union chequered
flag (42 x 24mm)
DAG000070MMM
£11.00



Union flag screw fit
(30 x 50mm)
GAC4100
£12.00



Union flag stick on
(pair)
CRST186
£6.20



CSI-IGNITION DISTRIBUTORS

See page A08 for more information

CSI-ignition distributors offer a fully electronic ignition system built into the correct type of Lucas distributor housing to suit your car. You can only tell the difference when you remove the distributor cap!



222-355



222-356



RAYDYOT REPRODUCTION MIRRORS

Raydyot mirrors were often bolted to racing and performance cars in the 1950s and 1960s. Their brushed aluminium design was extremely lightweight and strong. Moss has captured not only the distinctive look and character of the original Raydyot mirror, our aluminium reproductions also share the same performance advantages.

Raydyot, flat glass, aluminium, satin, each 222-355 £34.80
Raydyot, convex glass, aluminium, satin, each 222-356 £34.80



GAM115

DOOR 1/4 LIGHT MIRRORS

These chrome, universal fit door mirrors are a great accessory as they clamp neatly to the 1/4 light and are available with a choice of rectangular or round heads. Suitable for right hand or left hand mounting, sold individually.

Door 1/4 light mirror, rectangular, each GAM115 £26.00



GAM300

GAM301

Door 1/4 light mirror, round, 3" diameter, each GAM300 £17.60
Door 1/4 light mirror, round, 4" diameter, each GAM301 £15.10



GAM215A

DOOR MIRRORS

Choose from our selection of door mirrors, they give excellent rear vision and are as originally supplied by Austin Healey, MG and British Leyland.

- Convex glass, stainless steel, RH, each GAM215A **£35.30**
- Convex glass, stainless steel, LH, each GAM216A **£35.30**
- Flat glass, stainless steel, RH, each GAM217X **£33.20**
- Flat glass, stainless steel, LH, each GAM218X **£33.20**



WM1904

WING MIRRORS

Whether you fit the early Lucas type, round mirrors or the later Leyland, rectangular style, these accessories will add that finishing touch.

Early Lucas long arm style (fixed type)

- Convex glass, chrome, RH, each WM1904 **£17.10**
- Convex glass, chrome, LH, each WM1905 **£17.10**
- Flat glass, chrome, RH, each WM1906 **£17.10**
- Flat glass, chrome, LH, each WM1907 **£17.10**



Flat glass, curved arm, chrome, RH/LH, each GAM1001 **£36.00**



Flat glass, cranked arm, chrome, RH/LH, each ... GAM1001X... **£36.80**



GAM117

Later 'rectangular' style (spring back type)

- Convex glass, chrome, RH/LH, each GAM117..... **£39.60**
- Flat glass, chrome, RH/LH, each GAM118..... **£39.60**



GAM105

BULLET STYLE MIRRORS

Long base mirrors

These feature a 3.75" long base and are fixed with two screws from inside the door at 2" centres. Suitable for left or right hand mounting.

- Flat glass, chrome GAM105..... **£16.80**



Long base racing mirror

This mirror features a larger 4.25" lens with a 3" base. It is externally fitted to the mounting bracket. Suitable for left hand or right hand mounting.

- Flat glass, chrome 222-390..... **£37.60**



GAM107

British Leyland style mirrors

These mirrors feature a 3.75" long base and are plinth mounted as per British Leyland style door mirror. They are interchangeable with British Leyland type door mirror. Use adaptor plates to fit to doors with late type captive nuts.

- Chrome flat glass, RH GAM106..... **£42.80**
- Chrome flat glass, LH GAM107..... **£42.80**
- Adaptor plate kit, RH CZH1626..... **£4.60**
- Adaptor plate kit, LH..... CZH1625..... **£4.60**



Dual base mirror

Dual base mirror is supplied with two bases; the short base is 2.25" long and the large is 4.5" long, the mirror can be fixed to the car using either base to cover previous mirror fixing holes. Suitable for left or right hand mounting.

- Dual base, flat glass, chrome 222-372..... **£43.30**

GAC9211X



GAC9213X



ELECTRIC SCREEN WASHER KITS

We offer a choice of a stylish period glass bottle washer kit or a universal washer kit with a plastic bottle and integrated pump.

Period glass washer bottle kitGAC9211X.....**£313.60**
(Includes washer bottle, cap with pump and bracket only).

Universal screen washer kit.....GAC9213X..... **£37.70**
(Includes bottle, bracket, pump, switch, plastic washer jets, tubing, wiring and hardware).



MANUAL SCREEN WASHER KIT

This universal, manual screen washer kit includes a 1 litre bottle, bracket, manual pump, chrome washer jets, tubing and hardware.

Manual screen washer kitGAC9212X..... **£62.50**

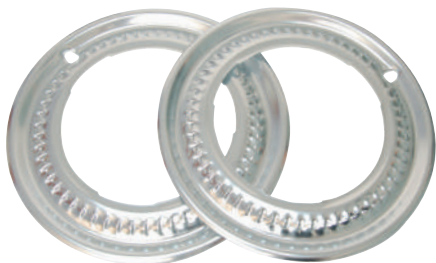


TT6902

WHEEL SPACERS

These spacers allow small adjustments to be made to the offset when fitting alternative wheels.

Wheel spacer, 3mm, pair TT6901 **£22.90**
Wheel spacer, 6mm, pair TT6902 **£22.90**



PERIOD STYLE ALLOY WHEEL TRIMS

These smart period wheel trims look great on a Minor. Made from highly polished alloy with a raised detail design they fit neatly behind the standard hub cap. Supplied as a set of 4.

Period style alloy wheel trims, set of 4MMA2010..... **£88.80**



SMARTSCREEN WASH/WIPE SYSTEM

These SmartScreen wiper kits allow intermittent wiper delay of between three and thirty seconds, programmed by using your existing wiper switch. SmartScreen wash/wiper kit allows you to have an automatic wiper system when using your electric screenwash. All kits are easy to fit and come with full instructions.

SmartScreen wiper system

Positive earth, (to 1967) GAC9222X **£31.80**
Negative earth, (pre 1967 converted) GAC9224X **£31.80**
Negative earth, (1967 on) GAC9221X **£31.80**

SmartScreen wash/wipe system

Positive earth models, (to 1967) GAC9226X **£51.40**
Negative earth models, (1967 on) GAC9225X **£53.60**



LOCKING WHEEL NUTS

'TriLock' locking wheel nuts use a special socket with a 3 pin combination that is uniquely matched to the locking nuts. Suitable for wheel nuts with a cone seat and can be used with alloy our wheels (see page A22). Supplied as a sets of 4.

Locking wheel nuts, set of 4 MLN007 **£23.00**



HUB NUT BOX SPANNER

Re-manufactured original tool for rear hub nuts.

Box spanner, rear hub, 1 7/8" 18G152A **£48.80**



MMA2012

MMA2016

HUB CAPS

Plain, chrome, 8.5" diameter, (1948-51) MMA2012 **£45.50**
'M', chrome, 8.5" diameter, (1951-53) MMA2014 **£50.00**
'M', chrome, 8.75" diameter, (1954-71) MMA2016 **£51.00**
'M', stainless, 8.75" diameter, (1954-71) MMA2017 **£35.20**



WHITE WALL TYRE TRIMS

A popular accessory in the past were white wall tyres, unfortunately if you can find them now they tend to be made for the US market and of a much harder compound than European tyres. However, we are able to supply a rubber ring which is sandwiched between the wheel rim and the tyre wall, recreating the look of white wall tyres but allowing the use of quality modern tyres.

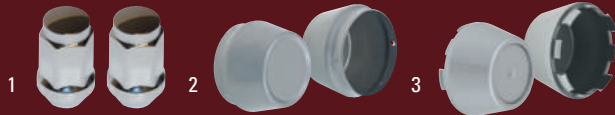
White wall tyre trim, 14" wheels, set of 4 GLZ226WWX4. **£59.60**



ALLOY WHEELS

These stunning looking eight spoke, MiniLite replica bolt-on alloy wheels are a timeless classic design, adding a period charm to your Minor. They are manufactured using the latest techniques and testing procedures to ensure the highest quality and reliability. Wheels are sold individually with a centre cap.

- Alloy wheel, 13" x 5", 8 spoke, silver, each GAC8203X . . . £93.40
- Alloy wheel, 13" x 5", 8 spoke, anthracite, each . . . GAC8213X . . £114.80
- Alloy wheel, 13" x 5.5", 8 spoke, silver, each GAC8315 . . . £140.70
- Alloy wheel, 14" x 5.5", 8 spoke, silver, each GAC8318 . . . £139.70



These wheels use a special nut that has a wide taper area and a narrow 'hex' to allow clearance for wheel brace or socket. Replacement centre caps are available. Measure the hole in the centre of the wheel and choose the appropriate cap.

- 1 Wheel nut, each TT6320 £4.00
- 2 Hub cap, metal, silver, 59mm, each GAC8201XP . . £10.90
- Hub cap, metal, polished, 59mm, each GAC8211X . . £12.60
- 3 Hub cap, plastic, silver, 61mm, each GAC8201XPP . . £5.50
- Hub cap, plastic, flint, 61mm, each GAC8201XPF . . £5.50
- Hub cap, plastic, chrome, 61mm, each GAC8201CHM . . £7.60

Please note: All wheels are sold individually unless otherwise stated, ensure you use the correct wheel nuts for each wheel.



RADIO AERIALS

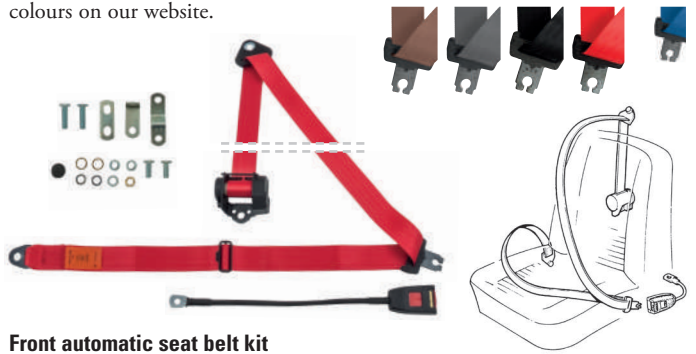
Our range of aerials offers a variety of fitting options from wing to roof mountings. The wing mount aerial features adjustable bases to compensate for slight angles off horizontal. The roof mounted aerial features a removable stainless steel mast with a chrome base plate. Aerial extension cable is also available.

- Hide-away amplified aerial 230-555 £25.90
- Aerial wing mount, manual MRA001 £12.50
- Aerial wing mount, electric AJM1112X . . . £82.40
- Aerial roof mount EEP11Z £13.20
- Extension lead aerial, 3 metre ZKC533 £15.50

SEAT BELTS



We can offer the Securon range of belts in black, red, grey, beige or blue. Below we list just the black and red options; you can find our full range of colours on our website.



Front automatic seat belt kit

These kits are a 4 point mounting and use a retractor reel that must be mounted vertically. The webbing then feeds through a guide, mounted at shoulder level, and is retained at the sill mounting. The buckle is retained at the tunnel mounting. Stalk length is 45cm. This kit provides lap and diagonal restraints.

- Automatic seat belt, black SBS500/45 £63.00
- Automatic seat belt, red SBS500/45RED . . £70.00



Front static seat belt kit

These static seat belts are designed to fasten to 3 mounting points; one over the shoulder, and a mounting point either side of the seat, at the sill fixing and tunnel. These belts are adjustable on the diagonal strap. Stalk length is 45cm. This seat belt kit provides lap and diagonal restraints.

- Static seat belt kit, black SBS300/45 £39.40
- Static seat belt kit, red SBS300/45RED . . £50.50



Rear static seat belt kits

These rear static seat belts are designed to fasten to 3 mounting points; one over the shoulder, one to the outer side of the seat and one towards the middle of the seat. This kit provides lap and diagonal restraints.

- Static seat belt kit, black SBS200 £31.10
- Static seat belt kit, red SBS200RED . . . £45.00



- Static seat belt kit, lap only, black SBS210 £25.10
- Static seat belt kit, lap only, red SBS210RED . . . £35.60



Seat belt extender

Can be used to safely extend the seat belt if required. It must only be bolted to the sill mounting position. 'E' approved for road use.

- Seat belt extender, red SBS227 NCA



GAC8460X (Gauge not inc.)



GAE125X



GAE130M



GAE130A



GAE124X



GAE129M



GAC8461X



GAE127X



GAE120



GAE122



GAE128X



GAE128M

AUXILIARY GAUGES

Custom build your own dash assembly with these gauges or add them as auxiliary instruments to a wooden dash board. Gauges are supplied with bulb holders and retaining brackets. We offer a range of new gauges in the classic Smiths style with either black or magnolia face with contrasting lettering and an angled section chrome bezel.

Tachometers (80mm diameter)

0-8000 tachometer, full face, 80mm, magnolia. GAE130M £182.70

0-10000 tachometer, full face, 80mm, black. GAE130A. £193.50

Water temperature and oil pressure gauges (52mm diameter)

Water temperature, °C, electric, black GAE124X £60.80

Water temperature °C, electric, magnolia GAE124M £63.20

Thermal transmitter for electric gauges GTR101 £7.80

Oil pressure psi, black GAE123X £97.80

Oil pressure psi, magnolia GAE123M £102.50

Oil pressure switch, standard GPS133. £4.20

Oil pressure switch, early warning, 20psi. TT2998 £31.60

Oil temperature °C, black GAE129X £73.00

Oil temperature °C, magnolia. GAE129M £79.90

Thermal transmitter, oil temp., negative earth. GAE129SENDER £25.60

Dual gauges (52mm diameter)

Dual gauges are full face with oil pressure and water temperature shown.

They use a capillary transmitter pipe (supplied with gauge) for water temperature and nylon hose for oil pressure.

Dual gauge, °F & psi, black GAE127X £210.00

Dual gauge °C & psi, black LUSJB100 £115.10

Dual gauge C-N-H & psi, black, Smiths BHA4900. £138.00

Oil pressure gauge fittings

Y piece on engine block LUSIB748 £5.60

Nylon hose for oil pressure gauge LUSIB703 £14.80

Hose for oil pressure gauge, braided, stainless steel GLL995120 £42.96

Oil hose sealing washer, 2 required 2K4936 £0.34

Ammeters and volt meters (52mm diameter)

Ammeter dynamo models, black GAE120 £63.50

Ammeter alternator models, black GAE121 £63.50

Voltmeter, black GAE122 £76.00

Voltmeter, magnolia. GAE122M £63.00

Time clocks (52mm diameter)

Clock, black GAE128X. £97.50

Clock, magnolia. GAE128M £98.40

Lucas auxiliary gauges (52mm diameter)

Water temperature gauge, full face, capillary LUSIB422 £95.60

Gauge mounting pods and plinths

A neat way to fit these gauges into your car. The gauge plinths are pressed steel finished with a crackle finished paint.

Gauge plinth, for tacho only GAC8460X £8.90

Gauge plinth, for tacho & single gauge GAC8461X £11.00

Gauge plinth, for single gauge GAC8468X £12.90

SMITHS CLASSIC ELECTRONIC GAUGES

These new Smiths Classic digital speedo's and tacho's are designed for heritage cars and are the perfect way to bring modern technology into your much loved classic. If your car does not have an electronic speedo output, our speedo sensor kit (GAE1551) will also be required, which senses a magnetic object, such as a bolt head or a nut, moving past the end of the sensor, creating a 'pulse' which is sent to the gauge and then translated. Please Note: Suitable for negative earth cars only.

Gauge, speedo, electronic, 140MPH, black. GAE155. £318.70

Gauge, speedo, electronic, 0-240kph, 100mm GAE157. £318.70

Gauge, tacho, el., 0-7000rpm, black, 100mm GAE156. £185.80

Gauge, speedo, electronic, 0-140mph, 80mm. GAE165. £337.20

Gauge, speedo, electronic, 0-240kph, 80mm GAE167. £337.20

Gauge, tacho, electronic, 0-7krpm, 80mm GAE166. £174.80

Sensor, speedo, electronic GAE1551 £82.30

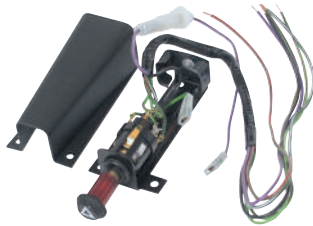




CIGAR LIGHTER

This 12 volt supply or cigar lighter is a useful addition to your classic's interior. It is suitable for use as a 12V power socket for in-car accessories such as Sat Nav or simply for lighting your cigars.

- Cigar lighter AHH7010 £20.60
- Bracket under dash mounting AHH7010BKT. £6.10



HAZARD WARNING LIGHT KIT

If your classic pre-dates the fitting of hazard lights as standard, you can now be that little bit safer with our easy to install hazard warning light kit that includes all fittings. (Suitable for models with standard negative earth system).

- Hazard warning light kit, negative earth GSS159 £37.10



GAITER FINISHER KIT

Smarten up your gear stick with this easy to fit universal gaiter finisher kit. Some gaiters may require modification to fit. (Gaiter not included).

- Chrome gaiter finishing kit..... GAC9540..... £21.40



HANDBRAKE GRIP

Smarten up the Morris' handbrake. With this handbrake grip it will make your handbrake turns even more fun.

- Handbrake grip FAM8356 £9.60



SWITCH BEZEL TOOL

The round bezels on most Lucas switches have two slots, and nobody has the special tool - a bezel nut spanner - you need to take them off. The set includes tools for 0.75" and 1" diameter bezel nuts and saves you using screwdrivers and other assorted sharp implements that result in scratched dashboards.

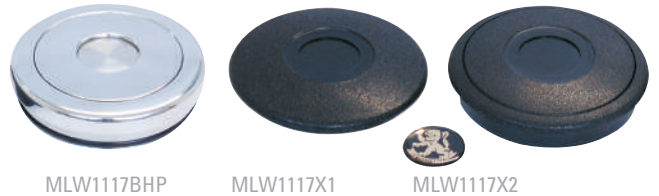
- Switch bezel tool 384-960 £20.20



MOTO-LITA BOSSES & ACCESSORIES *Moto-Lita*

All adaptor bosses are supplied with a plastic cap/horn push unless otherwise stated. Alternative caps are available separately, listed below.

- Boss with horn push, (MM & SII to 1956) MLW1117B8MM. £133.00 (Key locating steering wheel).
- Boss with horn push, (1000 models 1956-On) ... MLW1117B1MM .. £94.50 (Spline locating steering wheel).
- Boss without horn push, (1000 models 1956-On) .. MLW1117B1M2. £133.00 (Spline locating steering wheel, can be fitted with OE horn push).



Replacement plastic centre cap/horn pushes are available, or you can upgrade to a polished aluminium centre cap/horn push to enhance the look of your steering wheel, all feature a recess for a badge. Replacement ring and screw kits are also available.

- Billet centre cap, 3.5" MLW1117BCC .. £60.20
- Billet horn push, 3.5" MLW1117BHP. £109.00
- Moto-Lita centre cap MLW1117X1 ... £13.60
- Centre cap and horn push MLW1117X2 ... £24.70
- Polished ring kit MLW1117X3 ... £16.40
- Black ring kit MLW1117X3B .. £30.00



CENTRE CAP BADGE

Steering wheel centre cap badge with Morris Minor logo for Moto-Lita steering wheels. Size is approximately 2.7cm diameter (1.062").

- Centre cap..... GLB108 £1.37



GEAR KNOBS

Choose either our varnished wood, or comfortable leather finish gear knob both featuring a smart 'Morris' emblem. Supplied with a nylon, self threading insert to enable easy fitting.

- Gear knob, leather GAC4900 £23.60
- Gear knob, wood..... GAC4901 £16.90



MOTO-LITA STEERING WHEELS

Moto-Lita are among the finest replacement steering wheels available. Designed to enhance the appearance of the cockpit and provide an improved feel for the driver. Available in a variety of styles, materials and sizes to suit, please see our website for the full list of options. All steering wheels listed feature drilled spokes, except where detailed.

Wood rimmed steering wheels

- Mk3, flat, polished spokes, 13" MLW1115-13 .£231.50
- Mk3, flat, polished spokes, 14" MLW1115-14 .£231.50
- Mk3, flat, polished spokes, 15" MLW1115-15 .£231.50
- Mk3, flat, classic 4 spokes, 15" MLW1115-CW.£268.00
- Mk3, dished, polished spokes, 13" MLW1116-13 .£231.50
- Mk3, dished, polished spokes, 14" MLW1116-14 .£231.50
- Mk3, dished, polished spokes, 15" MLW1116-15 .£231.50
- Mk3, flat, polished spokes with thin slot, 14" MLW1120-14 .£231.50
- Mk3, flat, polished spokes with thin slot, 15" MLW1120-15 .£231.50
- Mk3, flat, polished spokes with wide slot, 13" ... MLW1122-13 .£231.50
- Mk3, flat, polished spokes with wide slot, 14" ... MLW1122-14 .£231.50
- Mk3, flat, polished spokes with wide slot, 15" ... MLW1122-15 .£231.50
- Mk3, dished polished spokes with thin slot, 13" . MLW1125-13 .£231.50
- Mk3, dished polished spokes with thin slot, 14" . MLW1125-14 .£231.50
- Mk3, dished polished spokes with thin slot, 15" . MLW1125-15 .£231.50

Leather rimmed steering wheels

- Mk4, flat, polished spokes, 12" MLW1111-12 .£252.00

- Mk4, flat, polished spokes, 13" MLW1111-13 .£252.00
- Mk4, flat, polished spokes, 14" MLW1111-14 .£252.00
- Mk4, flat, polished spokes, 15" MLW1111-15 .£252.00

- Mk4, flat, black spokes, 13" MLW1112-13 .£252.00
- Mk4, flat, black spokes, 14" MLW1112-14 .£252.00
- Mk4, flat, black spokes, 15" MLW1112-15 .£252.00

- Mk4, dished, polished spokes, 12" MLW1113-12 .£252.00
- Mk4, dished, polished spokes, 13" MLW1113-13 .£252.00
- Mk4, dished, polished spokes, 14" MLW1113-14 .£252.00
- Mk4, dished, polished spokes, 15" MLW1113-15 .£252.00

- Mk4, dished, black spokes, 13" MLW1114-13 .£252.00
- Mk4, dished, black spokes, 14" MLW1114-14 .£252.00
- Mk4, dished, black spokes, 15" MLW1114-15 .£252.00

- Mk4, flat, polished spokes with thin slot, 13" ... MLW1121-13 .£231.50
- Mk4, flat, polished spokes with thin slot, 14" ... MLW1121-14 .£231.50
- Mk4, flat, polished spokes with thin slot, 15" ... MLW1121-15 .£231.50

- Mk4, dished, polished spokes with thin slot, 13" .. MLW1126-13 .£231.50
- Mk4, dished, polished spokes with thin slot, 14" .. MLW1126-14 .£231.50
- Mk4, dished, polished spokes with thin slot, 15" .. MLW1126-15 .£231.50

Mahogany rimmed steering wheels

- Mk9, flat, polished spokes with thin slot, 14" ... MLW1119-14 .£325.00
- Mk9, flat, polished spokes with thin slot, 15" ... MLW1119-15 .£325.00
- Mk9, flat, polished spokes with holes, 14" MLW1119-14H .£325.00
- Mk9, flat polished spokes with holes, 15" MLW1119-15H .£325.00

TOURIST TROPHY STEERING WHEELS

Handcrafted to high standards Tourist Trophy wheels are available with either a sporty leather rim or a classic riveted wood rim with a variety of spoke designs and finishes; drilled or slotted in either matt aluminium or black. The frames are made from high strength aluminium. Tourist Trophy steering wheels use Moto-Lita bosses.

Leather rimmed steering wheels

- Drilled spokes, black, 14" 489-040£138.40
- Drilled spokes, matt aluminium, 15" 489-020£138.40
- Drilled spokes, matt aluminium, 14" 489-030£138.40
- Slotted spokes, black, 15" 489-050£138.40

Laminated wood rimmed steering wheels

- Drilled spokes, matt aluminium, 14" 489-070£168.10
- Drilled spokes, matt aluminium, 15" 489-060£174.10
- Slotted spokes, matt aluminium, 14" 489-085£174.10
- Slotted spokes, aluminium, 15" 489-080£174.10

Solid thick wood rimmed steering wheels

- Drilled spokes, matt aluminium, 14" 489-095£174.10
- Drilled spokes, matt aluminium, 15" 489-090£174.10



CARPETS & FLOOR COVERINGS

Carpet sets

We offer a wide range of carpets to suit the various models of the Minor. Series MM & Series II are manufactured to the original design with stitched contour pieces over the tunnel and wheel arches. For Series III & V models we offer a moulded carpet set in range of original & alternative colours. These carpet sets feature contoured tunnel and front wheel arch carpets. The tunnel carpet is designed to cover the handbrake bracket & cables giving a smart & tidy appearance.

The footwell mats are backed with a special hard wearing PVC coating and feature fully bound edges with a heel mat on the driver's side. The non-moulded carpet sets are made from a tufted pile carpet and are stitched around the tunnel to form the shape. Due to the texture of the carpet these seams are concealed, giving a good finish. All carpet sets include instructions & fittings, adhesive sold separately. Series MM & II are available to special order only.



CSA831172

Carpet set, Series MM

Original colours	RHD	LHD
Black	CSA811110. £216.60	CSA811210. £216.60
Brown	CSA811130. £216.60	CSA811230. £216.60
Green	CSA811150. £216.60	CSA811250. £216.60
Red	CSA811120. £216.60	CSA811220. £216.60

(Use this red carpet set to complement your maroon interior).

For carpet sets for Van & Pick Up see page 42.

Carpet set, Series II, 1953-56

Original colours	RHD	LHD
Green	CSA821150. £216.60	CSA821250. £216.60
Grey	CSA821161. £216.60	CSA821261. £216.60

Alternative colours

Black	CSA821110. £216.60	CSA821210. £216.60
Biscuit	CSA821131. £216.60	CSA821231. £216.60
Red	CSA821120. £216.60	CSA821220. £216.60

(Use this red carpet set to complement your maroon interior).

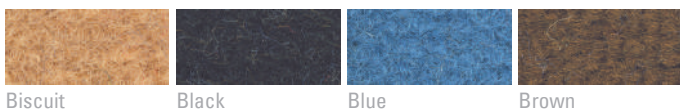
Carpet set, Series III & V, 1956-71

Original colours	RHD	LHD
Moulded, black	CSA831110. £216.60	CSA831210. £216.60
Moulded, blue	CSA831172. £216.60	CSA831272. £216.60
Moulded, green	CSA831150. £216.60	CSA831250. £216.60
Moulded, red	CSA831120. £216.60	CSA831220. £216.60
Non-moulded, brown	CSA831130. £216.60	CSA831230. £216.60
Non-moulded, navy blue	CSA831170. £216.60	CSA831270. £216.60

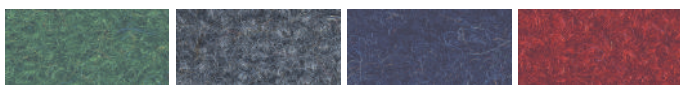
(Brown & navy blue carpets are only available in non-moulded form).

Alternative colours

Moulded, biscuit	CSA831131. £216.60	CSA831231. £216.60
Moulded, grey	CSA831160. £216.60	CSA831260. £216.60



Biscuit Black Blue Brown



Green Grey Navy blue Red

Please note: Colours may vary slightly to samples shown here, due to the limitations of the colour printing press, and should be used as a guide only.



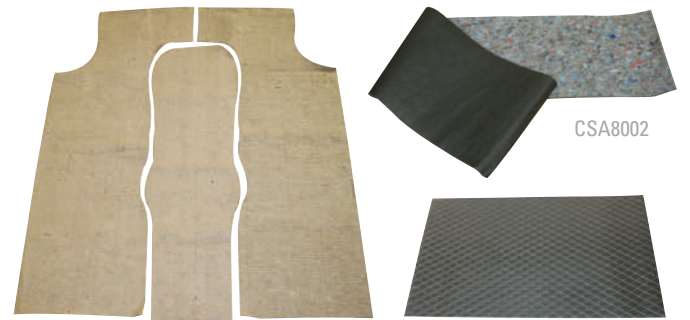
MMA2104

FOOTWELL MATS

These high quality carpet footwell mats are mud and water resistant and include a non-slip backing. They feature a Morris logo and have cut outs for pedals, steering column and dip switch. They are available in black or grey in a choice of 2 or 4 piece sets for RHD or LHD models.

Note: RHD models have cut outs for pedals, steering column & dip switch. The steering column hole is punched but the slot must be completed and cut to the edge prior to fitting. LHD models do not have cut outs for pedals, steering column & dip switch.

Footwell mats, full set, 4 piece, RHD, black	MMA2100	£111.80
Footwell mats, full set, 4 piece, RHD, grey	MMA2101	£111.80
Footwell mats, full set, 4 piece, LHD, black	MMA2102	£111.80
Footwell mats, full set, 4 piece, LHD, grey	MMA2103	£111.80
Footwell mats, front set, 2 piece, RHD, black	MMA2104	£73.20
Footwell mats, front set, 2 piece, RHD, grey	MMA2105	£73.20
Footwell mats, front set, 2 piece, LHD, black	MMA2106	£73.20
Footwell mats, front set, 2 piece, LHD, grey	MMA2107	£73.20



CSA8002

CSA8004

CHM228



CSA8001



CSA8003

UNDERFELT KITS & SOUND DEADENING

To compliment the range of carpet sets we offer an underfelt kit to fit beneath the carpet, as well as accessories to help deaden unwanted road noise.

Underfelt kit	CSA8004	£69.70
Bulkhead sound deadening kit, 1 piece	CSA8002	£15.00
Bulkhead sound deadening kit, 2 piece	CSA8003	£40.80
(Pre-cut underfelt pieces to fit the bulkhead).		
Under bonnet sound deadening kit	CSA8001	£104.20
(Shaped & quilted hardura pad that fits neatly into the bulge of the bonnet).		
Bitumen pad, 300mm x 190mm (12" x 7.5")	CHM228	£7.80
(This self-adhesive bitumen type material can be stuck to inner of door skins, floor pans, etc to reduced drumming of the panels).		

DYNAMAT HEAT & SOUND INSULATION

Dynamat is a revolutionary range of insulation products designed to keep your classic cool and quiet.

- Non absorbent materials.
- Self adhesive 'peel & stick'.
- Easily cut & moulded to fit.
- Isolates panel vibration.
- Reduces road noise.
- Reduces heat soak from engine & exhaust.

Dynamat Xtreme

A highly efficient, composite material designed to reduce noise, vibration & heat soak through panel work.



Dynamat Xtreme, speaker pack GAC90511.... **£16.80**
(2 sheets of 254mm x 254mm (10" x 10").)



Dynamat Xtreme, wedge pack GAC90512.... **£33.00**
(1 sheet of 457mm x 812mm (18" x 32").)

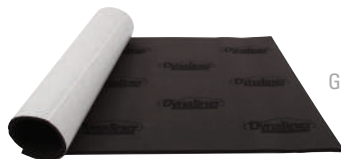


GAC90513

Dynamat Xtreme, door pack GAC9051..... **£88.30**
(4 sheets of 305mm x 914mm (12" x 36").)

Dynamat Xtreme, bulk pack..... GAC90514... **£219.60**
(9 sheets of 457mm x 812mm (18" x 32").)

Dynamat Xtreme, mega pack GAC90515... **£451.30**
(9 sheets of 60933 x 1219mm (24" x 48").)



GAC90534

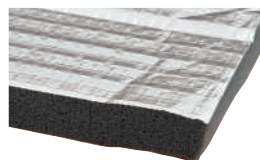
Dynaliner

Dynaliner is an ultra-light weight, durable single layer insulation material that can be used as an alternative to traditional underfelt. It provides acoustic isolation and excellent thermal insulation.

Dynaliner, 1/8" thick GAC90531.... **£69.20**
(1 sheet of 813mm x 1372mm (32" x 54").)

Dynaliner, 1/4" thick GAC90532.... **£99.00**
(1 sheet of 813mm x 1372mm (32" x 54").)

Dynaliner, 1/2" thick GAC90534... **£124.00**
(1 sheet of 813mm x 1372mm (32" x 54").)



Hoodliner

Designed specifically for under bonnet insulation, hoodliner absorbs engine noise to help keep your car quieter. The aluminised skin creates a water and oil barrier that reflects up to 97% of heat to protect the bonnet's paint.

Hoodliner..... GAC90541.... **£94.00**
(1 sheet of 813mm x 1372mm (32" x 54").)



BOOT AREA TRIM

Treat your Minor's boot area to a new mat or alternatively a carpet set.

Traveller boot mat and carpets

Travellers originally had a hardura mat on the load area of the boot. We offer this mat in the original grey hardura or alternatively in a range of coloured carpets to compliment your interior.

Boot hardura mat, grey CSA824060 .. **£117.30**

Boot hardura, black CSA804210 .. **£143.50**

Boot carpet, biscuit..... CSA804231 .. **£143.50**

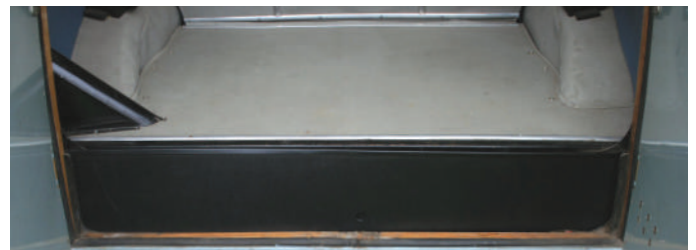
Boot carpet, blue CSA804272 .. **£143.50**

Boot carpet, brown..... CSA804230 .. **£143.50**

Boot carpet, green..... CSA804250 .. **£143.50**

Boot carpet, grey CSA804260 .. **£143.50**

Boot carpet, red..... CSA804221 .. **£143.50**



We also offer a millboard panel that covers the spare wheel aperture below the boot floor.

Cover, spare wheel ADA4006..... **£49.80**



Saloon boot carpets and mats

Originally the saloon boot was not trimmed, leaving the plywood floor visible. We offer these tailored carpets to tidy up the boot area, and help deaden unwanted sound. Supplied with fittings.

Boot carpet, biscuit..... CSA801131 ... **£46.10**

Boot carpet, black CSA801110 ... **£46.10**

Boot carpet, blue CSA801172 ... **£46.10**

Boot carpet, brown..... CSA801130 ... **£46.10**

Boot carpet, green..... CSA801150 ... **£46.10**

Boot carpet, grey CSA801160 ... **£46.10**

Boot carpet, navy blue CSA801170 ... **£46.10**

Boot carpet, red..... CSA801120 ... **£46.10**

Boot hardura mat, black CSA801010 ... **£46.10**

Boot hardura mat, grey CSA801060 ... **£46.10**

SEAT COVERS & TRIM PANELS

Part of the Minor's charm is its simplicity. Throughout production the Minor featured a smart & functional interior which helped the Minor retain much of its charm.

The interior trim went through a number of changes throughout production, particularly between 1956 & 1964, these changes mainly occurred to seat cover and trim panel designs. To simplify our listing we have arranged the products by the model Series and by the years the trim styles were featured.

SERIES MM, 1949-53

We offer seat covers & trim panels for this range to the original design in the original colours; maroon, suede green & beige, with contrasting coloured piping on seat covers. Front seat covers are sold as a car set of covers (for both seats) and rear seats covers are supplied as a complete set, all available in vinyl or leather faced.

Trim panels are only available in vinyl and are sold in pairs. Series MM trim is only available to special order; please contact us for more information. These early seat assemblies used a traditional and somewhat complex construction method. The fitting of these seat covers may require a specialist trimmer.

Series MM models often had a chrome trim on the doors, this trim is not available so the original items will need to be retained and reused.



Beige Maroon Suede green

Please note: Colours may vary slightly to samples shown here, due to the limitations of the colour printing press, and should be used as a guide only.



SEAT COVERS

Front seat cover kit

	Vinyl	Leather faced
Beige/maroon	SCA8111381. £529.00	SCL8111381. £993.20
Maroon/beige	SCA8111211. £529.00	SCL8111211. £993.20
Maroon/maroon	SCA811121. £529.00	SCL811121. £993.20
Suede green/beige.	SCA8111521. £529.00	SCL8111521. £993.20
Beige/suede green.	SCA8111382. £529.00	SCL8111382. £993.20

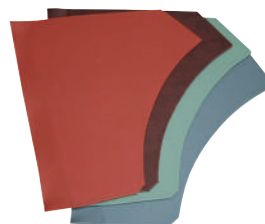
Rear seat cover kit, 2 door

	Vinyl	Leather faced
Beige/maroon	SCA81115381. £462.90	SCL81115381. £789.20
Maroon/beige	SCA81115211. £462.90	SCL81115211. £789.20
Maroon/maroon	SCA8111521. £462.90	SCL8111521. £789.20
Suede green/beige.	SCA81115521. £462.90	SCL81115521. £789.20
Beige/green.	SCA81115382. £462.90	SCL81115382. £789.20

Rear seat cover kit, 4 door

	Vinyl	Leather faced
Beige/maroon	SCA81215381. £462.90	SCL81215381. £789.20
Maroon/beige	SCA81215211. £462.90	SCL81215211. £789.20
Maroon/maroon	SCA8121521. £462.90	SCL8121521. £789.20
Suede green/beige.	SCA81215521. £462.90	SCL81215521. £789.20
Beige/green.	SCA81215382. £462.90	SCL81115382. £789.20

TRIM PANELS



Scuttle panels

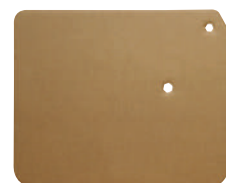
	Vinyl
Scuttle panels, beige, pair	TKP8111138. £37.10
Scuttle panels, maroon, pair	TKP8111121. £37.10
Scuttle panels, suede green, pair.	TKP8111152. £37.10



TKP8111221

Door panels, 2 door front

	Vinyl
Door panels, beige, pair	TKP8111238. £159.10
Door panels, maroon, pair.	TKP8111221. £159.10
Door panels, suede green, pair	TKP8111252. £159.10



TKP8121238

Door panels, 4 door front

	Vinyl
Door panels, beige, pair	TKP8121238. £157.90
Door panels, maroon, pair.	TKP8121221. £157.90
Door panels, suede green, pair	TKP8121252. £157.90



TKP8121352

Door panels, 4 door rear

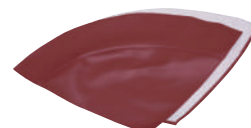
	Vinyl
Door panels, beige, pair	TKP8121338. £157.90
Door panels, maroon, pair.	TKP8121321. £157.90
Door panels, suede green, pair	TKP8121352. £157.90



TKP8111421

Quarter panels, 2 door rear

	Vinyl
Quarter panels, beige, pair	TKP8111438. £227.70
Quarter panels, maroon, pair	TKP8111421. £227.70
Quarter panels, suede green, pair.	TKP8111452. £227.70



TKP8121521

Wheel arch covers, 4 door

	Vinyl
Wheel arch covers, beige, pair	TKP8121538. £49.10
Wheel arch covers, maroon, pair	TKP8121521. £49.10
Wheel arch covers, suede green, pair.	TKP8121552. £49.10



TKP8111652

Rear parcel shelf, 2 & 4 door

Vinyl

- Parcel shelf rear, beige TKP8111638.. £33.80
- Parcel shelf rear, maroon TKP8111621.. £33.80
- Parcel shelf rear, suede green TKP8111652.. £33.80

TRIM FITTINGS

Door pulls, early Series MM

- Recovering kit, chain door pull, beige TKF8111133.. £62.20
- Recovering kit, chain door pull, maroon TKF8111121.. £62.20
- Recovering kit, chain door pull, suede green..... TKF8111152.. £62.20

- Recovering kit, rear armrest, door pull, beige TKF8111433.. £55.40
- Recovering kit, rear armrest, door pull, maroon .. TKF8111421.. £55.40
- Recovering kit, rear armrest, door pull, suede green .. TKF8111452.. £55.40



TKF8111321

TKF8111352

Door pulls, Late Series MM

These later type of door pulls were fitted from October 1950 through to the end of production. They are retained by screws and a chromed escutcheon. Door pulls are sold individually.

- Door pull, vinyl strap, beige TKF8111233.. £15.10
- Door pull, vinyl strap, maroon TKF8111221.. £15.10
- Door pull, vinyl strap, suede green TKF8111252.. £15.10

- Door pull, leather strap, beige TKF8111333.. £17.00
- Door pull, leather strap, maroon TKF8111321.. £17.00
- Door pull, leather strap, suede green TKF8111352.. £17.00



ADA4253

GHF1232

- Escutcheon, door pull, chrome, each ADA4253 £9.50
- Screw, chrome, each AB610063 £0.83

Interior trim clips

- Clip, trim panels, 22 per door GHF1232 £0.54
- Clip, weatherstrips, 12 per window..... BCA4847 £0.50
- Clip, glove box, 4 per glove box ADA1869 £0.44



TKF8113150

TKF8113120

Door seals

All Minors use the same woven edge type of door seals. This seal is held onto the panel edge with clips. Sold as pre-cut lengths per door. We recommend a minimum of 10 clips per door seal.

- Door seal, woven edge, black TKF8113110.. £21.20
- Door seal, woven edge, green TKF8113150.. £21.20
- Door seal, woven edge, red TKF8113120.. £21.20
- Clip, door seal fixing, each 613766 £1.13

Alternatively we can offer a hard wearing door seal with a textured rubber edging. This seal does not require clips to fix to the panel edge. Sold by the metre.

- Door seal, rubber edge, black KGA817M..... £5.00



AAA2000

PARCEL TRAYS & GLOVE BOXES

Series MM

These models had a smaller parcel tray that fits behind the steering column. There was no padding fitted to the support rail. Manufactured from black millboard with textured finish.

- Parcel tray, RHD..... AAA2000 £31.70
- Parcel tray, LHD..... AAA2000L..... £31.70



ADA4305

- Glove box, RH, Series MM ADA4305 £53.60
- Glove box, LH, Series MM ADA4308 £53.60

HEADLININGS

Series MM

We are unable to supply a headlining kit for Series MM models.



TKF8312190

AAA3796K

SUN VISORS

Series MM

Sun visors were not fitted as standard on Series MM Minors, nor were they an optional extra. You can however choose to fit the centre mounted sun visors.

(Note: Drilling will be required to fit sun visors where previously not fitted).

Centre mount sun visors, early type

Supplied individually, bracket sold separately.

- Sun visor, centre mount type, cream TKF8312190.. £44.00
- Sun visor, centre mount type, light grey..... TKF8312191.. £44.00
- Sun visor, centre mount type, white fleck TKF8312192.. £44.00

- Bracket, centre mount, sun visor AAA3796K ... £58.30



409-016

GAC9908X

UBS203

HEAT & SOUND INSULATION

Foil heat shield

This foil covered heat and sound deadening material can be installed under carpets, over the transmission tunnel, against bulkheads, etc. Insulates against hot and cold and deadens noise. The insulation material is lightweight, has a layer of foil on both sides and will not absorb moisture.

- Insulation, 1.21m x 1.82m (48" x 72") 409-016. £35.90
- High temperature adhesive, aerosol, 400ml GAC9908X ... £12.70
- High temperature adhesive, brush-on, 1L UBS110. £25.90
- Standard adhesive, aerosol, 400ml. UBS203. £9.00

SERIES II, 1953-56

The Series II interior trim was largely the same as Series MM. However, the design and construction of the seats altered slightly. Although all Series II seats look the same the construction method changed. Early seats, produced in 1953, had a squab cover tacked to the frame then covered by trimmed fibreboard panel on the rear of the seat.

Later seats used a more conventional envelope squab cover. To check which type of seat you have, look at the squab back panel. If there is a decorative stitch line below the piping then you have the early type of seat, order the appropriate kit as below.

We offer seat covers & trim panels for this range to the original design in the original colours; dove grey, maroon & suede green, with self coloured piping on seat covers.

Front seat covers are sold as a car set of covers (for both seats) and rear seats covers are supplied as a complete set, all available in vinyl or leather faced. Trim panels are only available in vinyl and are sold in pairs. Series II trim is only available to special order; please contact us for more information.



Dove grey Maroon Suede green

Please note: Colours may vary slightly to samples shown here, due to the limitations of the colour printing press, and should be used as a guide only.



SCL8212121

SEAT COVERS

Front seat cover kit

Early	Vinyl	Leather faced
Dove grey	SCA8211161 . £529.00	SCL8211161 ..£993.20
Maroon	SCA8211121 . £529.00	SCL8211121 ..£993.20
Suede green	SCA8211152 . £529.00	SCL8211152 ..£993.20

Front seat cover kit

Late	Vinyl	Leather faced
Dove grey	SCA8212161 . £529.00	SCL8212161 ..£993.20
Maroon	SCA8212121 . £529.00	SCL8212121 ..£993.20
Suede green	SCA8212152 . £529.00	SCL8212152 ..£993.20

Rear seat cover kit

2 door	Vinyl	Leather faced
Dove grey	SCA8211561 . £460.40	SCL8211561 ..£789.20
Maroon	SCA8211521 . £460.40	SCL8211521 ..£789.20
Suede green	SCA8211552 . £460.40	SCL8211552 ..£789.20

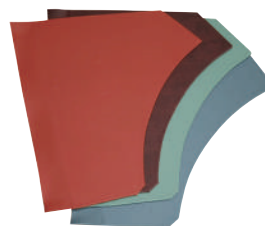
Rear seat cover kit

4 door	Vinyl	Leather faced
Dove grey	SCA8221561 . £460.40	SCL8221561 ..£789.20
Maroon	SCA8221521 . £460.40	SCL8221521 ..£789.20
Suede green	SCA8221552 . £460.40	SCL8221552 ..£789.20

Rear seat cover kit

Traveller	Vinyl	Leather faced
Dove grey	SCA8241561 . £460.40	SCL8241561 ..£789.20
Maroon	SCA8241521 . £460.40	SCL8241521 ..£789.20
Suede green	SCA8241552 . £460.40	SCL8241552 ..£789.20

TRIM PANELS



Scuttle panels

	Vinyl
Scuttle panels, dove grey, pair	TKP8111161.. £37.10
Scuttle panels, maroon, pair	TKP8111121.. £37.10
Scuttle panels, suede green, pair	TKP8111152.. £37.10



TKP8111221

Door panels, 2 door front

	Vinyl
Door panels, dove grey, pair	TKP8111261. £159.10
Door panels, maroon, pair	TKP8111221. £159.10
Door panels, suede green, pair	TKP8111252. £159.10



TKP8121261

Door panels, 4 door front

	Vinyl
Door panels, dove grey, pair	TKP8121261. £157.90
Door panels, maroon, pair	TKP8121221. £157.90
Door panels, suede green, pair	TKP8121252. £157.90



TKP8121361

Door panels, 4 door rear

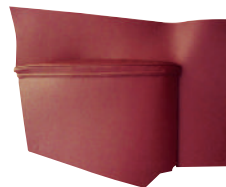
	Vinyl
Door panels, dove grey, pair	TKP8121361. £157.90
Door panels, maroon, pair	TKP8121321. £157.90
Door panels, suede green, pair	TKP8121352. £157.90



TKP8111452

Quarter panels, 2 door rear

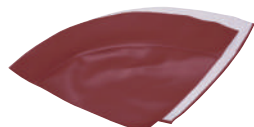
	Vinyl
Quarter panels, dove grey, pair	TKP8111461. £227.70
Quarter panels, maroon, pair	TKP8111421. £227.70
Quarter panels, suede green, pair	TKP8111452. £227.70



TKP8241421

Quarter panels, Traveller rear

	Vinyl
Quarter panels, dove grey, pair	TKP8241461. £246.60
Quarter panels, maroon, pair	TKP8241421. £246.60
Quarter panels, suede green, pair	TKP8241452. £246.60



TKP8121521

Wheel arch covers, 4 door

Vinyl

- Wheel arch covers, dove grey, pair..... TKP8121561.. **£49.10**
- Wheel arch covers, maroon, pair..... TKP8121521.. **£49.10**
- Wheel arch covers, suede green, pair..... TKP8121552.. **£49.10**

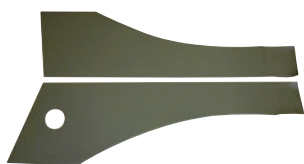


TKP8111652

Rear parcel shelf, 2 & 4 door

Vinyl

- Parcel shelf, dove grey..... TKP8111661.. **£33.80**
- Parcel shelf, maroon..... TKP8111621.. **£33.80**
- Parcel shelf, suede green..... TKP8111652.. **£33.80**



TKP8241752

Boot trim panels, Traveller

Vinyl

- Boot trim panels, dove grey, pair..... TKP8241761.. **£80.30**
- Boot trim panels, maroon, pair..... TKP8241721.. **£80.30**
- Boot trim panels, suede green, pair..... TKP8241752.. **£80.30**



TKF8111261



TKF8111352

TRIM FITTINGS

Door pulls, Series II

These later type of door pulls were fitted from October 1950 through to the end of production. They are retained by screws and a chromed escutcheon. Door pulls are sold individually.

- Door pull, vinyl strap, dove grey..... TKF8111261.. **£15.10**
- Door pull, vinyl strap, maroon..... TKF8111221.. **£15.10**
- Door pull, vinyl strap, suede green..... TKF8111252.. **£15.10**
- Door pull, leather strap, dove grey..... TKF8111361.. **£17.00**
- Door pull, leather strap, maroon..... TKF8111321.. **£17.00**
- Door pull, leather strap, suede green..... TKF8111352.. **£17.00**



ADA4253

- Escutcheon, door pull, chrome, each..... ADA4253..... **£9.50**
 - Screw, chrome, each..... AB610063..... **£0.83**
- (Note: See page A29 for interior trim clips).



TKF8113150



TKF8113120

Door seals

All Minors use the same woven edge type of door seals. This seal is held onto the panel edge with clips. Sold as pre-cut lengths per door. We recommend a minimum of 10 clips per door seal.

- Door seal, woven edge, green..... TKF8113150.. **£21.20**
- Door seal, woven edge, grey..... TKF8113160.. **£21.20**
- Door seal, woven edge, red..... TKF8113120.. **£21.20**
- Clip, door seal fixing, each..... 613766..... **£1.13**

Alternatively we can offer a hard wearing door seal with a textured rubber edging. This seal does not require clips to fix to the panel edge. Sold by the metre.

- Door seal, rubber edge, black..... KGA817M..... **£5.00**



AAA2000

PARCEL TRAYS & GLOVE BOXES

Series II

These models had a smaller parcel tray that fits behind the steering column. There was no padding fitted to the support rail. Manufactured from black millboard with textured finish.

- Parcel tray, RHD..... AAA2000..... **£31.70**
- Parcel tray, LHD..... AAA2000L..... **£31.70**



ADA1637

- Glove box, RH, Series II..... ADA1637..... **£53.60**
- Glove box, LH, Series II..... ADA1870..... **£53.60**

HLK821191



HEADLININGS

Very early Series II models featured a board headlining as per Series MM models, this was discontinued in late 1953. For later Series II models we can offer a vinyl headlining featuring the correct 4 hoops for saloon models and the two-piece board type for Travellers. Headlining is available in plain grey or a white fleck material.

Saloon, Series II

- These headlining kits are suitable for early models with small rear windows.
- Headlining kit, light grey..... HLK821191.. **£142.70**
- Headlining kit, white fleck..... HLK821192.. **£142.70**
- Headlining tension cable, Saloon..... AAA4115K... **£18.70**

These headlining kits are suitable for later models with large rear windows.

- Headlining kit, light grey..... HLK821291.. **£142.70**
- Headlining kit, white fleck..... HLK821292.. **£142.70**
- Headlining tension cable, Saloon..... AAA4115K... **£18.70**

Traveller, Series II

- Headlining kit, front, light grey..... HLK824191... **£89.30**
- Headlining kit, front, white fleck..... HLK824192... **£89.30**
- Headlining kit, rear, light grey..... HLK824291... **£86.50**
- Headlining kit, rear, white fleck..... HLK824292... **£86.50**
- Headlining tension cable, Traveller, Van & Pickup.. ADA3890..... **£6.20**

SUN VISORS

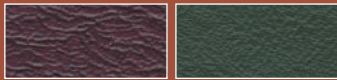
Sun visors were fitted to Series II models as standard, but only on the driver's side. Centre mounted sun visors will fit both sides, see page A29.

SERIES III MINOR 1000, 1956-59

The launch of the Minor 1000 saw a redesign of the seats. They were manufactured using a tubular frame with rubber webbing straps suspending moulded foams.

This was a more modern approach to seat design, in common with many other manufacturers of the time. Originally Deluxe models were supplied with leather faced seats and standard models all had vinyl seats. Seats also featured a self coloured piping.

We offer seat covers for this range to the original design in the original colours; maroon and suede green, these options are both contrasted with a grey piping. Front seat covers are sold individually, and rear seat covers are supplied as a complete set and all are available in vinyl or leather faced. Trim panels are sold in pairs and only available in vinyl.



Maroon Suede green

Please note: Colours may vary slightly to samples shown here, due to the limitations of the colour printing press, and should be used as a guide only.



SCA8311352

SEAT COVERS

Front seat covers

Base	Vinyl	Leather faced
Maroon	SCA8311221 . £106.30	SCL8311221 .. £230.40
Suede green.....	SCA8311252 . £106.30	SCL8311252 .. £230.40

Front seat covers

Fixed squab	Vinyl	Leather faced
Maroon	SCA8311321 . £106.30	SCL8311321 .. £230.40
Suede green.....	SCA8311352 . £106.30	SCL8311352 .. £230.40

Rear seat cover kit

2 door	Vinyl	Leather faced
Maroon	SCA8311521 . £460.40	SCL8311521 .. £789.20
Suede green.....	SCA8311552 . £460.40	SCL8311552 .. £789.20

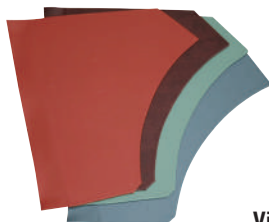
Rear seat cover kit

4 door	Vinyl	Leather faced
Maroon	SCA8321521 . £460.40	SCL8321521 .. £789.20
Suede green.....	SCA8321552 . £460.40	SCL8321552 .. £789.20

Rear seat cover kit

Traveller	Vinyl	Leather faced
Maroon	SCA8341521 . £460.40	SCL8341521 .. £789.20
Suede green.....	SCA8341552 . £460.40	SCL8341552 .. £789.20

(Note: See page A40 for seat fittings).



Scuttle panel	Vinyl
Scuttle panels, maroon, pair	TKP8111121... £37.10
Scuttle panels, suede green, pair.....	TKP8111152... £37.10



TKP8111221

Front door panels, 2 door	Vinyl
Door panels, maroon, pair.....	TKP8111221.£159.10
Door panels, suede green, pair	TKP8111252.£159.10



TKP8121252

Front door panels, 4 door	Vinyl
Door panels, maroon, pair.....	TKP8121221.£157.90
Door panels, suede green, pair	TKP8121252.£157.90



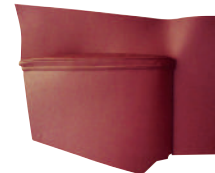
TKP8121352

Rear door panels, 4 door	Vinyl
Door panels, maroon, pair.....	TKP8121321.£157.90
Door panels, suede green, pair	TKP8121352.£157.90



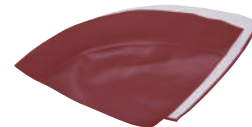
TKP8111452

Rear quarter panels, 2 door	Vinyl
Quarter panels, maroon, pair	TKP8111421.£227.70
Quarter panels, suede green, pair.....	TKP8111452.£227.70



TKP8241421

Rear quarter panels, Traveller	Vinyl
Quarter panels, maroon, pair	TKP8241421.£246.60
Quarter panels, suede green, pair.....	TKP8241452.£246.60



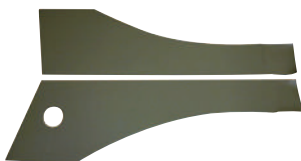
TKP8121521

Wheel arch covers, 4 door	Vinyl
Wheel arch covers, maroon, pair	TKP8121521.. £49.10
Wheel arch covers, suede green, pair.....	TKP8121552.. £49.10



TKP8111652

Rear parcel shelf, 2 & 4 door	Vinyl
Parcel shelf, maroon	TKP8111621.. £33.80
Parcel shelf, suede green	TKP8111652.. £33.80



TKP8241752

Boot trim panels, Traveller

- Boot trim panels, maroon, pair TKP8241721 .. £80.30
- Boot trim panels, suede green, pair TKP8241752 .. £80.30

Vinyl



TKF8111321



TKF8111352

TRIM FITTINGS

Door pulls, Series III, 1956-59

These later type of door pulls were fitted from October 1950 through to the end of production. They are retained by screws and a chromed escutcheon. Door pulls are sold individually.

- Door pull, vinyl strap, maroon TKF8111221 .. £15.10
- Door pull, vinyl strap, suede green TKF8111252 .. £15.10
- Door pull, leather strap, maroon TKF8111321 .. £17.00
- Door pull, leather strap, suede green TKF8111352 .. £17.00



ADA4253

- Escutcheon, door pull, chrome, each ADA4253 £9.50
 - Screw, chrome, each AB610063 £0.83
- (Note: See page A29 for interior trim clips).



TKF8113150



TKF8113120

Door seals

All Minors use the same woven edge type of door seals. This seal is held onto the panel edge with clips. Sold as pre-cut lengths per door. We recommend a minimum of 10 clips per door seal.

- Door seal, woven edge, black TKF8113110 .. £21.20
- Door seal, woven edge, green TKF8113150 .. £21.20
- Door seal, woven edge, red TKF8113120 .. £21.20
- Clip, door seal fixing, each 613766 £1.13

Alternatively we can offer a hard wearing door seal with a textured rubber edging. This seal does not require clips to fix to the panel edge. Sold by the metre.

- Door seal rubber edge - black KGA817M £5.00



ADA3997



ADA1637

PARCEL TRAYS & GLOVE BOXES

Series III, 1956-59

These later models had a larger parcel tray which featured a padded support rail. Some models also have provisions for heater vents. These parcel trays are split to fit around the steering column and have cut outs for heater vents. Manufactured from black millboard with textured finish.

- Parcel tray, no heater, RHD ADA4400 £41.20
- Parcel tray, no heater, LHD ADA4401 £41.20
- Parcel tray, with heater holes, RHD ADA3997 £31.70
- Parcel tray, with heater holes, LHD ADA3998 £31.70
- Shroud heater assembly ADA3999A ... £36.80
- Recovering kit, parcel tray support rail..... ADA3754CK.. £50.60

- Glove box - RH (1956-62)..... ADA1637 £53.60
- Glove box - LH (1956-62)..... ADA1870 £53.60
- Glove box with chrome edge - RH (1962-64)..... ADA4064 £53.60
- Glove box with chrome edge - LH (1962-64)..... ADA4063 £53.60

HLK831291



HEADLININGS

The headlining for Series III models features a 3 hoop design and is shaped slightly differently for the larger rear window which was used until the end of production.

Saloon, Series III

These headlining kits are suitable for models with large rear windows & 3 hoops.

- Headlining kit, light grey HLK831291 .. £142.70
- Headlining kit, white fleck HLK831292 .. £142.70
- Headlining tension cable, Saloon AAA4115K ... £18.70

Traveller, Series III

- Headlining kit, front, light grey HLK824191... £89.30
- Headlining kit, front, white fleck HLK824192... £89.30
- Headlining kit, rear, light grey HLK824291... £86.50
- Headlining kit, rear, white fleck HLK824292... £86.50
- Headlining tension cable, Traveller, Van & Pickup.. ADA3890 £6.20



TKP8312190

SUN VISORS

Sun visors are available in both the original styles; fixed centre mount or end mount type in a choice of colours to compliment our headlining kits.

Centre mount sun visors, early type

Supplied individually, bracket sold separately.

- Sun visor centre mount type - cream..... TKF8312190 .. £44.00
- Sun visor centre mount type - light grey..... TKF8312191 .. £44.00
- Sun visor centre mount type - white fleck TKF8312192 .. £44.00
- Bracket centre mount sun visor AAA3796K ... £58.30



TKP8312210

End mount sun visors, late type

Available with or without vanity mirrors and supplied individually, including brackets. Plastic inner end clip sold separately.

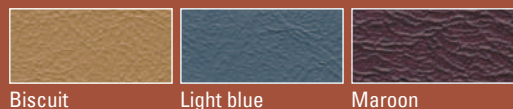
- Sun visor, end mount, plain, black TKF8312210 .. £63.20
- Sun visor, end mount, plain, cream..... TKF8312290 .. £63.20
- Sun visor, end mount, plain, light grey..... TKF8312291 .. £63.20
- Sun visor, end mount, plain, white fleck TKF8312292 .. £63.20

- Sun visor, end mount, mirror, black TKF8312310 .. £68.10
- Sun visor, end mount, mirror, cream TKF8312390 .. £68.10
- Sun visor, end mount, mirror, light grey TKF8312391 .. £68.10
- Sun visor, end mount, mirror, white fleck..... TKF8312392 .. £68.10
- Screw, outer bracket to screen rail, 2 required AD606071 £0.41
- Clip, sun visor, inner end, each ADA4484 £1.51

SERIES III MINOR 1000, 1960-62

The first of several redesigns of the Minor 1000's interior trim was introduced for 1960 model year cars. The seats were redesigned to feature a larger stitched flute in the main base & squab panels. Folding passenger seats were also available on two-door models, allowing easier access to the rear seats. The door trim panels were also revised to feature two horizontal self-coloured piped lines.

We offer interior trim for this range to the original design in the original colours; maroon light blue and biscuit, these options have self coloured piping. Front seat covers are sold individually, and rear seat covers are supplied as a complete set and all are available in vinyl or leather faced. Trim panels are sold in pairs and only available in vinyl.



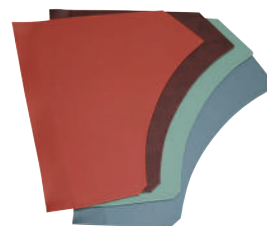
Please note: Colours may vary slightly to samples shown here, due to the limitations of the colour printing press, and should be used as a guide only.



SEAT COVERS

Front seat covers, base Vinyl		Leather faced	
Biscuit	SCA8312231 .£106.30	SCL8312231	£226.30
Light blue	SCA8312272 .£106.30	SCL8312272	£226.30
Maroon	SCA8312221 .£106.30	SCL8312221	£226.30
Front seat covers, fixed squab Vinyl		Leather faced	
Biscuit	SCA8312331 .£106.30	SCL8312331	£226.30
Light blue	SCA8312372 .£106.30	SCL8312372	£226.30
Maroon	SCA8312321 .£106.30	SCL8312321	£226.30
Fr. seat covers, folding squab Vinyl		Leather faced	
Biscuit	SCA8312431 .£106.30	SCL8312431	£226.30
Light blue	SCA8312472 .£106.30	SCL8312472	£226.30
Maroon	SCA8312421 .£106.30	SCL8312421	£226.30
Rear seat cover kit, 2 door Vinyl		Leather faced	
Biscuit	SCA8312531 .£460.40	SCL8312531	£789.20
Light blue	SCA8312572 .£460.40	SCL8312572	£789.20
Maroon	SCA8312521 .£460.40	SCL8312521	£789.20
Rear seat cover kit, 4 door Vinyl		Leather faced	
Biscuit	SCA8322531 .£460.40	SCL8322531	£789.20
Light blue	SCA8322572 .£460.40	SCL8322572	£789.20
Maroon	SCA8322521 .£460.40	SCL8322521	£789.20
Rear seat cover kit, Traveller Vinyl		Leather faced	
Biscuit	SCA8342531 .£460.40	SCL8342531	£789.20
Light blue	SCA8342572 .£460.40	SCL8342572	£789.20
Maroon	SCA8342521 .£460.40	SCL8342521	£789.20

(Note: See page A40 for seat fittings).



Scuttle panel Vinyl	
Scuttle panels, biscuit, pair	TKP8111131 ... £37.10
Scuttle panels, light blue, pair	TKP8111172 ... £37.10
Scuttle panels, maroon, pair	TKP8111121 ... £37.10



TKP8312272

Front door panels - 2 door Vinyl	
Door panels, biscuit, pair	TKP8312231 ..£159.10
Door panels, light blue, pair	TKP8312272 ..£159.10
Door panels, maroon, pair	TKP8312221 ..£159.10

Front door panels - 4 door Vinyl	
Door panels, biscuit, pair	TKP8322231 ..£157.90
Door panels, light blue, pair	TKP8322272 ..£157.90
Door panels, maroon, pair	TKP8322221 ..£157.90



TKP8322372

Rear door panels - 4 door Vinyl	
Door panels, biscuit, pair	TKP8322331 ..£157.90
Door panels, light blue, pair	TKP8322372 ..£157.90
Door panels, maroon, pair	TKP8322321 ..£157.90



TKP8111421

Rear quarter panels - 2 door Vinyl	
Quarter panels, biscuit, pair	TKP8111431 ..£227.70
Quarter panels, light blue, pair	TKP8111472 ..£227.70
Quarter panels, maroon, pair	TKP8111421 ..£227.70

Rear quarter panels - Traveller Vinyl	
Quarter panels, biscuit, pair	TKP8241431 ..£246.60
Quarter panels, light blue, pair	TKP8241472 ..£246.60
Quarter panels, maroon, pair	TKP8241421 ..£246.60



TKP8121521

Wheel arch covers - 4 door Vinyl	
Wheel arch covers, biscuit, pair	TKP8121531 ... £49.10
Wheel arch covers, light blue, pair	TKP8121572 ... £49.10
Wheel arch covers, maroon, pair	TKP8121521 ... £49.10

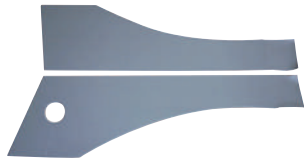


TKP8111631

Rear parcel shelf - 2 & 4 door

- Parcel shelf, biscuit..... TKP8111631.. £33.80
- Parcel shelf, light blue TKP8111672.. £33.80
- Parcel shelf, maroon..... TKP8111621.. £33.80

Vinyl

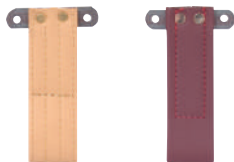


TKP8241772

Boot trim panels - Traveller

- Boot trim panels, biscuit, pair TKP8241731.. £80.30
- Boot trim panels, light blue, pair TKP8241772.. £80.30
- Boot trim panels, maroon, pair TKP8241721.. £80.30

Vinyl



TKF8111231

TKF8111321

TRIM FITTINGS

Door pulls, Series III, 1960-62

These later type of door pulls were fitted from October 1950 through to the end of production. They are retained by screws and a chromed escutcheon. Door pulls are sold individually.

- Door pull, vinyl strap, biscuit..... TKF8111231.. £15.10
- Door pull, vinyl strap, light blue TKF8111272.. £15.10
- Door pull, vinyl strap, maroon..... TKF8111221.. £15.10
- Door pull, leather strap, biscuit TKF8111331.. £17.00
- Door pull, leather strap, light blue TKF8111372.. £17.00
- Door pull, leather strap, maroon TKF8111321.. £17.00



ADA4253

- Escutcheon, door pull, chrome, each ADA4253..... £9.50
 - Screw, chrome, each AB610063 £0.83
- (Note: See page A29 for interior trim clips).



TKF8113120

Door seals

All Minors use the same woven edge type of door seals. This seal is held onto the panel edge with clips. Sold as pre-cut lengths per door. We recommend a minimum of 10 clips per door seal.

- Door seal, woven edge, black TKF8113110.. £21.20
- Door seal, woven edge, blue TKF8113170.. £21.20
- Door seal, woven edge, red TKF8113120.. £21.20
- Clip, door seal fixing, each 613766 £1.13

Alternatively we can offer a hard wearing door seal with a textured rubber edging. This seal does not require clips to fix to the panel edge. Sold by the metre.

- Door seal, rubber edge, black KGA817M..... £5.00



ADA3997



ADA1637

PARCEL TRAYS & GLOVE BOXES

Series III, 1960-62

These later models had a larger parcel tray which featured a padded support rail. Some models also have provisions for heater vents. These parcel trays are split to fit around the steering column and have cut outs for heater vents. Manufactured from black millboard with textured finish.

- Parcel tray, no heater, RHD ADA4400 £41.20
- Parcel tray, no heater, LHD ADA4401 £41.20
- Parcel tray, with heater holes, RHD ADA3997 £31.70
- Parcel tray, with heater holes, LHD ADA3998 £31.70
- Shroud heater assembly ADA3999A ... £36.80
- Recovering kit, parcel tray support rail..... ADA3754CK.. £50.60

- Glove box, RH, (1956-62)..... ADA1637 £53.60
- Glove box, LH, (1956-62)..... ADA1870..... £53.60
- Glove box, with chrome edge, RH, (1962-64) ADA4064..... £53.60
- Glove box, with chrome edge, LH, (1962-64)..... ADA4063..... £53.60

HEADLININGS

The headlining for Series III models features a 3 hoop design and is shaped slightly differently for the larger rear window which was used until the end of production. See page A29 for headlining options.



TKP8312190

SUN VISORS

Sun visors are available both the original styles; fixed centre mount or end mount type in a choice of colours to compliment our headlining kits.

Centre mount sun visors, early type

Supplied individually, bracket sold separately.

- Sun visor, centre mount type, cream..... TKF8312190.. £44.00
- Sun visor, centre mount type, light grey..... TKF8312191.. £44.00
- Sun visor, centre mount type, white fleck TKF8312192.. £44.00

- Bracket, centre mount, sun visor AAA3796K ... £58.30



TKP8312210

End mount sun visors, late type

Available with or without vanity mirrors and supplied individually, including brackets. Plastic inner end clip sold separately.

- Sun visor, end mount, plain, black TKF8312210.. £63.20
- Sun visor, end mount, plain, cream..... TKF8312290.. £63.20
- Sun visor, end mount, plain, light grey..... TKF8312291.. £63.20
- Sun visor, end mount, plain, white fleck TKF8312292.. £63.20

- Sun visor, end mount, mirror, black TKF8312310.. £68.10
- Sun visor, end mount, mirror, cream TKF8312390.. £68.10
- Sun visor, end mount, mirror, light grey TKF8312391.. £68.10
- Sun visor, end mount, mirror, white fleck..... TKF8312392.. £68.10

- Screw, outer bracket to screen rail, 2 required AD606071 £0.41

- Clip, sun visor, inner end, each ADA4484..... £1.51

SERIES 5 MINOR 1000, 1962-64 'DUOTONE'

The second redesign was for the 1962 model year, first shown at the 1961 London Motor Show. This major face-lift included a redesign of the seats and trim panels. The seats were redesigned to feature a longitudinal flute design on the base and squab panels. Again the folding passenger seats were also available on two-door models.

Standard models featured a full-coloured trim whereas deluxe models featured the 'Duotone' inserts. Duotone is a contrasting light beige vinyl that is incorporated in the design as the fluted section of the seats, a wide horizontal band on the door panels and the rear armrests on two-door rear quarter panels.

We offer interior trim for this range to the original design in the original 'pastel' range of colours with or without the Duotone option; porcelain green, Cherokee red and blue grey. Front seat covers are sold individually, and rear seat covers are supplied as a complete set and all are only available in vinyl. Trim panels are sold in pairs and only available in vinyl.



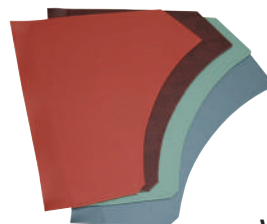
Please note: Colours may vary slightly to samples shown here, due to the limitations of the colour printing press, and should be used as a guide only.



SEAT COVERS

Front seat covers, base	Standard	Duotone
Blue grey	SCA8511272 .£106.40	SCA8512272 £106.40
Cherokee red	SCA8511220 .£106.40	SCA8512220 £106.40
Porcelain green	SCA8511251 .£106.40	SCA8512251 £106.40
Front seat covers, fixed squab	Standard	Duotone
Blue grey	SCA8511372 .£106.30	SCA8512372 £106.30
Cherokee red	SCA8511320 .£106.30	SCA8512320 £106.30
Porcelain green	SCA8511351 .£106.30	SCA8512351 £106.30
Fr. seat covers, folding squab	Standard	Duotone
Blue grey	SCA8511472 .£106.30	SCA8512472 £106.30
Cherokee red	SCA8511420 .£106.30	SCA8512420 £106.30
Porcelain green	SCA8511451 .£106.30	SCA8512451 £106.30
Rear seat cover kit, 2 door	Standard	Duotone
Blue grey	SCA8511572 .£460.40	SCA8512572 £460.40
Cherokee red	SCA8511520 .£460.40	SCA8512520 £460.40
Porcelain green	SCA8511551 .£460.40	SCA8512551 £460.40
Rear seat cover kit, 4 door	Standard	Duotone
Blue grey	SCA8521572 .£460.40	SCA8522572 £460.40
Cherokee red	SCA8521520 .£460.40	SCA8522520 £460.40
Porcelain green	SCA8521551 .£460.40	SCA8522551 £460.40
Rear seat cover kit, Traveller	Standard	Duotone
Blue grey	SCA8541572 .£460.40	SCA8542572 £460.40
Cherokee red	SCA8541520 .£460.40	SCA8542520 £460.40
Porcelain green	SCA8541551 .£460.40	SCA8542551 £460.40

(Note: See page A40 for seat fittings).

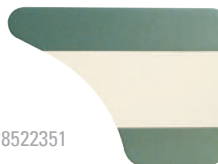


Scuttle panel	Vinyl
Scuttle panels, blue grey, pair	TKP8111172.. £37.10
Scuttle panels, Cherokee red, pair	TKP8111120.. £37.10
Scuttle panels, porcelain green, pair	TKP8111151.. £37.10



TKP8512220

Front door panels, 2 door	Standard	Duotone
Blue grey, pair	TKP8511272 .£159.10	TKP8512272. £159.10
Cherokee red, pair	TKP8511220 .£159.10	TKP8512220. £159.10
Porcelain green, pair	TKP8511251 .£159.10	TKP8512251. £159.10



TKP8522351



TKP8522251

Front door panels, 4 door	Standard	Duotone
Blue grey, pair	TKP8521272 .£157.90	TKP8522272. £157.90
Cherokee red, pair	TKP8521220 .£157.90	TKP8522220. £157.90
Porcelain green, pair	TKP8521251 .£157.90	TKP8522251. £157.90

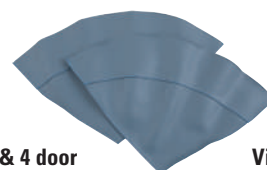
Rear door panels, 4 door	Standard	Duotone
Blue grey, pair	TKP8521372 .£157.90	TKP8522372. £157.90
Cherokee red, pair	TKP8521320 .£157.90	TKP8522320. £157.90
Porcelain green, pair	TKP8521351 .£157.90	TKP8522351. £157.90



TKP8512472

Rear quarter panels, 2 door	Standard	Duotone
Blue grey, pair	TKP8511472 .£227.70	TKP8512472. £227.70
Cherokee red, pair	TKP8511420 .£227.70	TKP8512420. £227.70
Porcelain green, pair	TKP8511451 .£227.70	TKP8512451. £227.70

Rear quarter panels, Traveller	Standard	Duotone
Blue grey, pair	TKP8541472 .£246.60	TKP8542472. £246.60
Cherokee red, pair	TKP8541420 .£246.60	TKP8542420. £246.60
Porcelain green, pair	TKP8541451 .£246.60	TKP8542451. £246.60



TKP8121572

Wheel arch covers, 2 & 4 door	Vinyl
Wheel arch covers, blue grey, pair	TKP8121572.. £49.10
Wheel arch covers, Cherokee red, pair	TKP8121520.. £49.10
Wheel arch covers, porcelain green, pair	TKP8121551.. £49.10

Wheel arch covers, Traveller

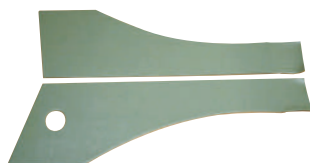
- Wheel arch covers, blue grey, pair TKP8342572.. **£62.00**
- Wheel arch covers, Cherokee red, pair TKP8342520.. **£62.00**
- Wheel arch covers, porcelain green, pair TKP8342551.. **£62.00**



TKP8111651

Rear parcel shelf, 2 & 4 door

- Parcel shelf, blue grey TKP8111672.. **£33.80**
- Parcel shelf, Cherokee red TKP8111620.. **£33.80**
- Parcel shelf, porcelain green TKP8111651.. **£33.80**



TKP8241751

Boot trim panels, Traveller

- Boot trim panels, blue grey, pair TKP8241772.. **£80.30**
- Boot trim panels, Cherokee red, pair TKP8241720.. **£80.30**
- Boot trim panels, porcelain green, pair TKP8241751.. **£80.30**



TKF8111272

TKF8111351

TRIM FITTINGS

Door pulls, Series V, 1962-64

These later type of door pulls were fitted from October 1950 through to the end of production. They are retained by screws and a chromed escutcheon. Door pulls are sold individually.

- Door pull, vinyl strap, blue grey TKF8111272.. **£15.10**
- Door pull, vinyl strap, porcelain green TKF8111251.. **£15.10**
- Door pull, vinyl strap, red TKF8111220.. **£15.10**
- Door pull, leather strap, blue grey TKF8111372.. **£17.00**
- Door pull, leather strap, porcelain green TKF8111351.. **£17.00**
- Door pull, leather strap, red TKF8111320.. **£17.00**



ADA4253

- Escutcheon, door pull, chrome, each ADA4253 **£9.50**
 - Screw, chrome, each AB610063 **£0.83**
- (Note: See page A29 for interior trim clips).



TKF8113150

TKF8113120

Door seals

All Minors use the same woven edge type of door seals. This seal is held onto the panel edge with clips. Sold as pre-cut lengths per door. We recommend a minimum of 10 clips per door seal.

- Door seal, woven edge, black TKF8113110.. **£21.20**
- Door seal, woven edge, blue TKF8113170.. **£21.20**
- Door seal, woven edge, green TKF8113150.. **£21.20**
- Door seal, woven edge, red TKF8113120.. **£21.20**
- Clip, door seal fixing, each 613766 **£1.13**

Alternatively we can offer a hard wearing door seal with a textured rubber edging. This seal does not require clips to fix to the panel edge. Sold by the metre.

- Door seal, rubber edge, black KGA817M **£5.00**



ADA3997



ADA1637

PARCEL TRAYS & GLOVE BOXES

Series V, 1962-64

These later models had a larger parcel tray which featured a padded support rail. Some models also have provisions for heater vents. These parcel trays are split to fit around the steering column and have cut outs for heater vents. Manufactured from black millboard with textured finish.

- Parcel tray, no heater, RHD ADA4400 **£41.20**
- Parcel tray, no heater, LHD ADA4401 **£41.20**
- Parcel tray, with heater holes, RHD ADA3997 **£31.70**
- Parcel tray, with heater holes, LHD ADA3998 **£31.70**
- Shroud heater assembly ADA3999A **£36.80**
- Recovering kit, parcel tray support rail ADA3754CK **£50.60**

- Glove box, RH, (1956-62) ADA1637 **£53.60**
- Glove box, LH, (1956-62) ADA1870 **£53.60**
- Glove box, with chrome edge, RH, (1962-64) ADA4064 **£53.60**
- Glove box, with chrome edge, LH, (1962-64) ADA4063 **£53.60**

HEADLININGS



HLK831291

Series V, 1962-64

The headlining for Series V models features a 3 hoop design and is shaped slightly differently for the larger rear window which was used until the end of production.

Saloon

These headlining kits are suitable for models with large rear windows & 3 hoops.

- Headlining kit, light grey HLK831291.. **£142.70**
- Headlining kit, white fleck HLK831292.. **£142.70**
- Headlining tension cable, Saloon AAA4115K **£18.70**

Traveller

- Headlining kit, front, light grey HLK824191.. **£89.30**
- Headlining kit, front, white fleck HLK824192.. **£89.30**
- Headlining kit, rear, light grey HLK824291.. **£86.50**
- Headlining kit, rear, white fleck HLK824292.. **£86.50**
- Headlining tension cable, Traveller, Van & Pickup ADA3890 **£6.20**

SUN VISORS



TKP8312210

Sun visors are available for the end mount type in a choice of colours to compliment our headlining kits.

End mount sun visors, late type

Available with or without vanity mirrors and supplied individually, including brackets. Plastic inner end clip sold separately.

- Sun visor, end mount, plain, black TKF8312210.. **£63.20**
- Sun visor, end mount, plain, cream TKF8312290.. **£63.20**
- Sun visor, end mount, plain, light grey TKF8312291.. **£63.20**
- Sun visor, end mount, plain, white fleck TKF8312292.. **£63.20**

- Sun visor, end mount, mirror, black TKF8312310.. **£68.10**
- Sun visor, end mount, mirror, cream TKF8312390.. **£68.10**
- Sun visor, end mount, mirror, light grey TKF8312391.. **£68.10**
- Sun visor, end mount, mirror, white fleck TKF8312392.. **£68.10**

- Screw, outer bracket to screen rail, 2 required AD606071 **£0.41**
- Clip, sun visor, inner end, each ADA4484 **£1.51**

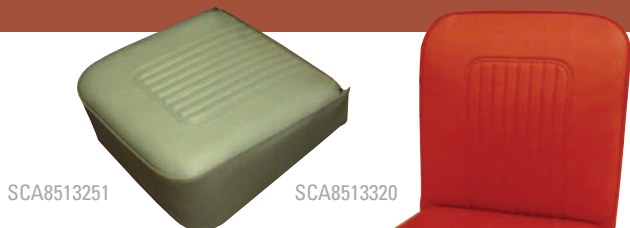
SERIES 5 MINOR 1000, 1964-71

The last redesign of the interior trim was introduced for the 1964 model year and ran until the end of production in 1971. This design featured a fluted pattern heat formed into the vinyl trim, the pattern is produced by a high frequency electric welding technique. The pattern is produced on seat covers, door panels and 2 door rear quarter panels.

We offer interior trim for this range in the original colours; autumn leaf, black, blue grey, Cherokee red, navy blue & porcelain green. Please note: lime flower was also offered but is no longer available. Front seat covers are sold individually, and rear seat covers are supplied as a complete set and all are only available in vinyl. Trim panels are sold in pairs and only available in vinyl. Both front seats are fixed frames.



Please note: Colours may vary slightly to samples shown here, due to the limitations of the colour printing press, and should be used as a guide only.



SEAT COVERS

Front seat cover, base	Vinyl
Seat cover, autumn leaf	SCA8513230 ..£106.40
Seat cover, black	SCA8513210 ..£106.40
Seat cover, blue grey	SCA8513272 ..£106.40
Seat cover, Cherokee red	SCA8513220 ..£106.40
Seat cover, navy blue	SCA8513270 ..£106.40
Seat cover, porcelain green	SCA8513251 ..£91.20

Front seat cover, squab	Vinyl
Seat cover, autumn leaf	SCA8513330 ..£106.30
Seat cover, black	SCA8513310 ..£106.30
Seat cover, blue grey	SCA8513372 ..£106.30
Seat cover, Cherokee red	SCA8513320 ..£106.30
Seat cover, navy blue	SCA8513370 ..£106.30
Seat cover, porcelain green	SCA8513351 ..£106.30

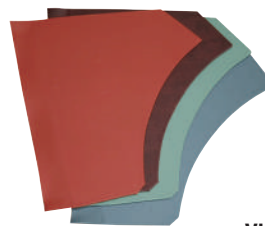


Rear seat cover kits, 2 door	Vinyl
Seat cover kit, autumn leaf	SCA8513530 ..£460.40
Seat cover kit, black	SCA8513510 ..£460.40
Seat cover kit, blue grey	SCA8513572 ..£460.40
Seat cover kit, Cherokee red	SCA8513520 ..£460.40
Seat cover kit, navy blue	SCA8513570 ..£460.40
Seat cover kit, porcelain green	SCA8513551 ..£460.40

Rear seat cover kits, 4 door	Vinyl
Seat cover kit, autumn leaf	SCA8523530 ..£460.40
Seat cover kit, black	SCA8523510 ..£460.40
Seat cover kit, blue grey	SCA8523572 ..£460.40
Seat cover kit, Cherokee red	SCA8523520 ..£460.40
Seat cover kit, navy blue	SCA8523570 ..£460.40
Seat cover kit, porcelain green	SCA8523551 ..£460.40

Rear seat cover kits, Traveller	Vinyl
Seat cover kit, autumn leaf	SCA8543530 ..£460.40
Seat cover kit, black	SCA8543510 ..£460.40
Seat cover kit, blue grey	SCA8543572 ..£460.40
Seat cover kit, Cherokee red	SCA8543520 ..£460.40
Seat cover kit, navy blue	SCA8543570 ..£460.40
Seat cover kit, porcelain green	SCA8543551 ..£460.40

(Note: See page A40 for seat fittings).



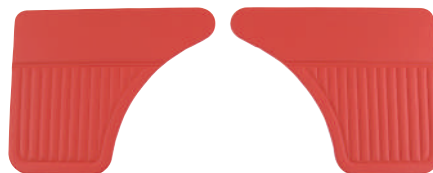
Scuttle panel	Vinyl
Scuttle panels, autumn leaf, pair	TKP8111130 ... £37.10
Scuttle panels, black, pair	TKP8111110 ... £37.10
Scuttle panels, blue grey, pair	TKP8111172 ... £37.10
Scuttle panels, Cherokee red, pair	TKP8111120 ... £37.10
Scuttle panels, navy blue, pair	TKP8111170 ... £37.10
Scuttle panels, porcelain green, pair	TKP8111151 ... £37.10



TKP8513210

Front door panels, 2 door	Vinyl
Door panels, autumn leaf, pair	TKP8513230 ..£159.10
Door panels, black, pair	TKP8513210 ..£159.10
Door panels, blue grey, pair	TKP8513272 ..£159.10
Door panels, Cherokee red, pair	TKP8513220 ..£159.10
Door panels, navy blue, pair	TKP8513270 ..£159.10
Door panels, porcelain green, pair	TKP8513251 ..£159.10

Front door panels, 4 door	Vinyl
Door panels, autumn leaf, pair	TKP8523230 ..£157.90
Door panels, black, pair	TKP8523210 ..£157.90
Door panels, blue grey, pair	TKP8523272 ..£157.90
Door panels, Cherokee red, pair	TKP8523220 ..£157.90
Door panels, navy blue, pair	TKP8523270 ..£157.90
Door panels, porcelain green, pair	TKP8523251 ..£157.90



TKP8523320

Rear door panels, 4 door	Vinyl
Door panels, autumn leaf	TKP8523330 ..£157.90
Door panels, black	TKP8523310 ..£157.90
Door panels, blue grey	TKP8523372 ..£157.90
Door panels, Cherokee red	TKP8523320 ..£157.90
Door panels, navy blue	TKP8523370 ..£157.90
Door panels, porcelain green	TKP8523351 ..£157.90



TKP8513472

Rear quarter panels, 2 door

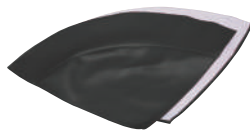
Vinyl

- Quarter panels, autumn leaf, pairTKP8513430 ..£227.70
- Quarter panels, black, pairTKP8513410 ..£227.70
- Quarter panels, blue grey, pairTKP8513472 ..£227.70
- Quarter panels, Cherokee red, pairTKP8513420 ..£227.70
- Quarter panels, navy blue, pairTKP8513470 ..£227.70
- Quarter panels, porcelain green, pairTKP8513451 ..£227.70

Rear quarter panels, Traveller

Vinyl

- Quarter panels, autumn leaf, pairTKP8543430 ..£246.60
- Quarter panels, black, pairTKP8543410 ..£246.60
- Quarter panels, blue grey, pairTKP8543472 ..£246.60
- Quarter panels, Cherokee red, pairTKP8543420 ..£246.60
- Quarter panels, navy blue, pairTKP8543470 ..£246.60
- Quarter panels, porcelain green, pairTKP8543451 ..£246.60



TKP8121510

Wheel arch covers, 2 & 4 door

Vinyl

- Wheel arch covers, autumn leaf, pairTKP8121530 ... £49.10
- Wheel arch covers, black, pairTKP8121510 ... £49.10
- Wheel arch covers, blue grey, pairTKP8121572 ... £49.10
- Wheel arch covers, Cherokee red, pairTKP8121520 ... £49.10
- Wheel arch covers, navy blue, pairTKP8121570 ... £49.10
- Wheel arch covers, porcelain green, pairTKP8121551 ... £49.10

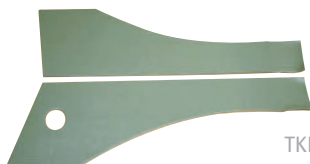


TKP8111630

Rear parcel shelf, 2 & 4 door

Vinyl

- Parcel shelf, autumn leafTKP8111630 ... £33.80
- Parcel shelf, blackTKP8111610 ... £33.80
- Parcel shelf, blue greyTKP8111672 ... £33.80
- Parcel shelf, Cherokee redTKP8111620 ... £33.80
- Parcel shelf, navy blueTKP8111670 ... £33.80
- Parcel shelf, porcelain greenTKP8111651 ... £33.80

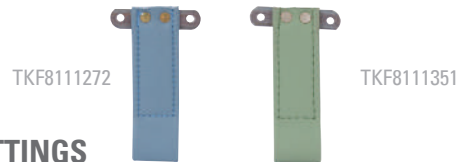


TKP8241751

Boot trim panels, Traveller

Vinyl

- Boot trim panels, autumn leaf, pairTKP8241730 ... £80.30
- Boot trim panels, black, pairTKP8241710 ... £80.30
- Boot trim panels, blue grey, pairTKP8241772 ... £80.30
- Boot trim panels, Cherokee red, pairTKP8241720 ... £80.30
- Boot trim panels, navy blue, pairTKP8241770 ... £80.30
- Boot trim panels, porcelain green, pairTKP8241751 ... £80.30



TKF8111272

TKF8111351

TRIM FITTINGS

Door pulls, Series 5, 1964-71

These later type of door pulls were fitted from October 1950 through to the end of production. They are retained by screws and a chromed escutcheon.

Door pulls are sold individually.

- Door pull, vinyl strap, autumn leaf TKF8111230 .. £15.10
- Door pull, vinyl strap, black TKF8111210 .. £15.10
- Door pull, vinyl strap, blue grey TKF8111272 .. £15.10
- Door pull, vinyl strap, navy blue TKF8111270 .. £15.10
- Door pull, vinyl strap, porcelain green TKF8111251 .. £15.10
- Door pull, vinyl strap, red TKF8111220 .. £15.10

- Door pull, leather strap, autumn leaf TKF8111330 .. £17.00
- Door pull, leather strap, black TKF8111310 .. £17.00
- Door pull, leather strap, blue grey TKF8111372 .. £17.00
- Door pull, leather strap, navy blue TKF8111370 .. £17.00
- Door pull, leather strap, porcelain green TKF8111351 .. £17.00
- Door pull, leather strap, red TKF8111320 .. £17.00



ADA4253

- Escutcheon, door pull, chrome, each ADA4253 £9.50

- Screw, chrome, each AB610063 £0.83

(Note: See page A29 for interior trim clips).



TKF8113150



TKF8113120

Door seals, Series 5, 1964-71

All Minors use the same woven edge type of door seals. This seal is held onto the panel edge with clips. Sold as pre-cut lengths per door. We recommend a minimum of 10 clips per door seal.

- Door seal, woven edge, black TKF8113110 .. £21.20
- Door seal, woven edge, blue TKF8113170 .. £21.20
- Door seal, woven edge, green TKF8113150 .. £21.20
- Door seal, woven edge, grey TKF8113160 .. £21.20
- Door seal, woven edge, red TKF8113120 .. £21.20
- Clip, door seal fixing each 613766 £1.13

Alternatively we can offer a hard wearing door seal with a textured rubber edging. This seal does not require clips to fix to the panel edge. Sold by the metre.

- Door seal, rubber edge, black KGA817M £5.00



ADA4305

PARCEL TRAYS & GLOVE BOXES

Series 5, 1964-71

- Parcel tray, no heater, RHD ADA4400 £41.20
- Parcel tray, no heater, LHD ADA4401 £41.20
- Recovering kit, parcel tray support rail ADA3754CK .. £50.60

- Glove box, RH, (1964-71) ADA4305 £53.60
- Glove box, LH, (1964-71) ADA4308 £53.60

HLK831291



HEADLININGS

Series 5, 1964-71

The headlining for Series 5 models features a 3 hoop design and is shaped slightly differently for the larger rear window which was used until the end of production.

Saloon

These headlining kits are suitable for models with large rear windows and 3 hoops.

Headlining kit, light grey	HLK831291..	£142.70
Headlining kit, white fleck	HLK831292..	£142.70
Headlining tension cable, Saloon	AAA4115K ...	£18.70

Traveller

Headlining kit, front, light grey	HLK824191...	£89.30
Headlining kit, front, white fleck	HLK824192...	£89.30
Headlining kit, rear, light grey	HLK824291...	£86.50
Headlining kit, rear, white fleck	HLK824292...	£86.50
Headlining tension cable, Traveller, Van & Pickup	ADA3890	£6.20



TKF8312210

SUN VISORS

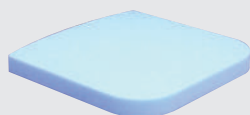
Sun visors are available for the end mount type in a choice of colours to compliment our headlining kits.

End mount sun visors, late type

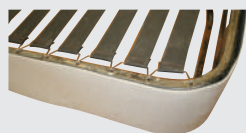
Available with or without vanity mirrors and supplied individually, including brackets. Plastic inner end clip sold separately.

Sun visor, end mount, plain, black	TKF8312210..	£63.20
Sun visor, end mount, plain, cream	TKF8312290..	£63.20
Sun visor, end mount, plain, light grey	TKF8312291..	£63.20
Sun visor, end mount, plain, white fleck	TKF8312292..	£63.20
Sun visor, end mount, mirror, black	TKF8312310..	£68.10
Sun visor, end mount, mirror, cream	TKF8312390..	£68.10
Sun visor, end mount, mirror, light grey	TKF8312391..	£68.10
Sun visor, end mount, mirror, white fleck	TKF8312392..	£68.10

Screw, outer bracket to screen rail, 2 required	AD606071	£0.41
Clip, sun visor, inner end, each	ADA4484	£1.51



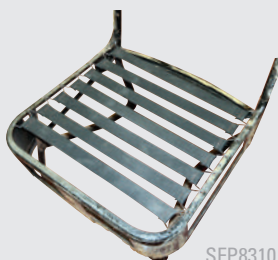
SFP8301



SFP8302



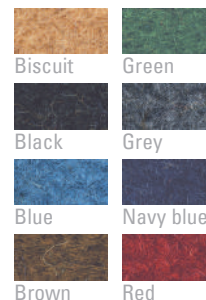
SFP8303



SFP8310

VAN & PICKUP

Van and Pickup models have some unique trim components, including carpets, seat covers and door panels, these are detailed below. Other colour options are available, please see our website for more details or call your nearest branch.



Note: Colours may vary slightly to samples shown.

Carpet sets	RHD	LHD	
Moulded, black	CSA825110..	£171.40. .CSA825210 ..	£171.40
Non-moulded, brown	CSA825130..	£171.40. .CSA825230 ..	£171.40
Moulded, red	CSA825120..	£171.40. .CSA825220 ..	£171.40
Moulded, biscuit	CSA825131..	£171.40. .CSA825231 ..	£171.40
Moulded, blue	CSA825172..	£171.40. .CSA825272 ..	£171.40
Moulded, grey	CSA825160..	£171.40. .CSA825260 ..	£171.40

Front seat cover - base	Vinyl	
Seat cover, autumn leaf	SCA8251230 ..	£125.00
Seat cover, black	SCA8251210 ..	£125.00

Front seat cover - fixed squab	Vinyl	
Seat cover, autumn leaf	SCA8251330 ..	£125.00
Seat cover, black	SCA8251310 ..	£125.00

Front seat cover - folding squab	Vinyl	
Seat cover, autumn leaf	SCA8251430 ..	£125.00
Seat cover, black	SCA8251410 ..	£125.00

Door panels

Door panels, black, pair	TKP8251210 ..	£127.70
Door panels, autumn leaf, pair	TKP8251230	NCA

HEADLINING

This headlining for van & Pickup models is sewn ready to accept the cross member rail and 'piano' wires that secure it to the side rails. An extra piece of material is included for covering the piece of wood at the rear. Please see our website for full details.

Headlining kit, light grey, (to 1967)	HLK825191...	£98.80
Headlining kit, white fleck, (to 1967)	HLK825192...	£98.80
Headlining kit, light grey, (from 1968)	HLK825291...	£98.80
Headlining kit, white fleck, (from 1968)	HLK825292...	£98.80

FRONT SEAT FOAMS & FITTINGS, 1956-71

When re-trimming your seats we recommend that you invest in new straps & foams. Replacing these items will ensure the best possible shape, and comfort for your seats. We also offer a diaphragm as an alternative more durable support for the base foam. Straps are still used for the squab. These seat foams & fittings are suitable for all tubular frames fitted to all 1000 models from 1956 on.

Seat foam, front base, 1 per seat	SFP8301	£36.40
Seat foam, front base wrap, 1 per seat	SFP8302	£6.50
Seat foam, front squab kit, 1 per seat	SFP8303	£36.30
Seat strap, base & squab, 12 per seat	SFP8310	£9.00
(7 straps on base, 5 straps on squab).		
Seat diaphragm base, alternative to strap	SFP8311	£14.40
Clip, seat cover, 10 per seat	ADH3809	£0.59

BOOKS, MANUALS & DVDS



Original Morris Minor by Ray Newell

This book is the most comprehensive guide to restoring a Morris Minor to original condition. It features informative text and production data with excellent quality photographs.

Original Morris Minor.....MGL0340 .. **£30.60**



Restoration manual by Lindsay Porter

This informative book features detailed explanations and photographs covering most aspects of Minor restoration including mechanical, bodywork, electrical and modifications. A must for anyone restoring their Minor!

Restoration manualMGL0341 .. **£23.50**



Haynes workshop manual

The workshop manual no Morris Minor owner should be without. Detailing maintenance and overhaul procedures for all aspects of the car.

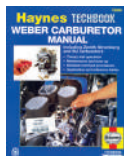
Workshop manualMGL0345 .. **£25.50**



Morris Minor - Essential buyers guide by Ray Newell

This book, written by a leading authority on Morris Minors, seeks to guide the purchaser through the joys and pitfalls of buying a Minor.

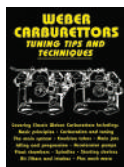
Essential buyer's guide.....MGL0346 **£9.99**



Haynes carburettor manual

This manual covers SU, Stromberg, Weber and Dellorto carbs. Giving an insight into the way they operate and how to maintain and tune them, as well as detailed overhaul procedures.

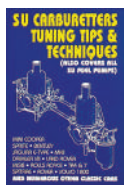
Haynes carburettor manual.....MGL0279 .. **£28.80**



Weber carbs: Tuning tips and techniques, by John Passini

This book is the distillation of many years experience of working with Weber carbs. The mysteries of why and how they work and the practicalities of getting the best from them. Also setting-up, fault-finding, maintenance and repair are all covered.

Tuning tips and techniques.....213-431 **£13.42**



Tuning SU carburetors

This book looks into the basic design of the SU carburettor. It covers many areas including overhaul, tuning mixtures, jet and needle identifications and SU fuel pumps.

Tuning SU carburetors.....MGL0070 .. **£15.80**



SU workshop manual

Factory workshop manual covering both carburetors and fuel pumps

SU workshop manual.....GAC1044X. **£13.00**

SU needle chart

The chart identifies the correct replacement SU needle when modifications have been carried out to the engine or induction.

SU needle chartALT9501... **£10.75**

SU parts catalogueALT9524.....**£0.00**

Lucas fault diagnosis manual

This Lucas guide presents a logical sequence of tests that may be carried out on starters, generators, regulators, ignition and lighting systems. Written for technicians, this book can be easily understood by the amateur mechanic/owner.

Lucas manualGAC1029X...**£5.00**

Tuning BL's A-series engine by David Vizard

This is the Bible for anyone wanting to improve their A-series engine, be it for performance or economy.

Tuning BL's A-series engine.....MGL0063 .. **£25.50**

SU carburettor rebuild DVD

This 2 hour 40 minute video explains how to rebuild SU carbs.

SU carburettor rebuild DVD211-036 **£34.40**

Rule Britannia, by John Nikas

Rule Britannia - When British Sports Cars Saved A Nation; With authoritative text from John Nikas and his team of dedicated researchers and contributors; historic imagery from archives maintained by marque clubs, manufacturers and museums; and modern portraits artfully captured in a studio setting by Michael Furman, the world's most renowned automotive photographer.

Rule BritanniaMGL0360 .. **£76.90**

Morris Minor: 70 Years On The Road by Ray Newell

2018 marks 70 years since the first Morris Minor models rolled off the production line. In this celebratory publication, Ray Newell looks in detail at the development of the wide range of models produced during a 22-year production run and the continuing worldwide interest in this iconic British car.

70 Years On The RoadMGL0393 .. **£35.70**

The Cars of BMC by Graham Robson

Along with a detailed history of the company and its creation, Robson provides a comprehensive directory of the marques and models that made up the BMC. From Austin to Wolseley, and taking in names such as Metropolitan and Vanden Plas along the way, each has a dedicated, detailed chapter.

The Cars of BMCMGL6615 .. **£30.00**

Classic Engines, Modern Fuel by Paul Ireland

This book tells you why and how. This book brings together a collection of popular articles previously published by the author in assorted car magazines. Based on in-depth research carried out at Manchester University, the articles investigate how classic engines respond to modern petrol/gasoline, and the results are presented in a way that any enthusiast can understand.

Classic Engines, Modern FuelMGL0085 .. **£15.80**

Classic Car Suspension, Steering & Wheels

A step-by-step illustrated guide to restoring and improving the suspension, steering and wheels of your classic car, this easy to follow manual is fully illustrated, and packed with useful tips and techniques.

Restoration ManualMGL0394 .. **£25.50**

Classic Car Bodywork by Martin Thaddeus

A book written for the home restorer who, until now, lacked the confidence to tackle bodywork. With specially devised techniques which don't rely on workshop plant, this book spans the gap between professional and amateur.

Restoration ManualMGL0330 .. **£25.50**

How To Paint Classic Car by Martin Thaddeus

Taking you step-by-step through each stage of the painting process, from planning, preparation, and safety, to final painting and finishing, this book will give you the skills and the confidence you need for a perfect finish.

Restoration ManualMGL0332 .. **£20.40**

Classic Car Interiors

Here is the ultimate resource which provides easy-to-follow guidance on the repair and renovate carpets, headlinings, seats, wood and synthetic material parts, instruments, steering wheels: even how to succeed in making your radio sound just like new!

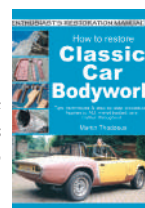
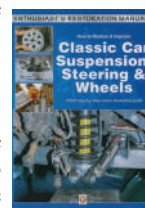
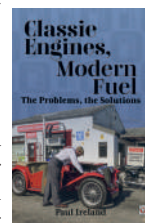
Restoration ManualMGL0364 .. **£25.50**

Original Technical Publications Heritage USB

These publications have been carefully reproduced from the extensive historical archives in both England and the USA. Meaning you have access to the original Heritage publications needed to run and maintain your Heritage vehicle. Including parts catalogues, service manuals and owners literature. USB - Printable, searchable, zoom-able & bookmarked. Limited to 1 device. USB portable - Printable, searchable, zoom-able, bookmarked, offline capable, instant access. Take anywhere.

OTP Morris Minor USB.....HTP2007E.....**£34.30**

OTP Morris Minor USB portable....HTP2007USB.....**£47.70**





BASEBALL CAPS

Show your support for your favourite marque with one of our baseball caps.

- Morris Minor logo GAC45058.... **£20.39**
- BMH logo..... GAC45059.... **£20.39**



DRIVER CAP

Get your style on with a moss driving cap. Chic and casual, wear this navy cap when taking your classic out for a spin, or simply when enjoying a day out. Sporting a Moss block logo, this flex-to-fit cap has a knitted construction and offers a snug fit on your head.

- Driver cap 217-246..... **£15.10**



GEAR STICK BOTTLE STOPPERS

Classic style gear stick bottle stoppers. Constructed from left bar with aluminum look top bezel and finished with either vintage white paint or Red wood. Featuring a standard 5 Speed H pattern on top.

- Red wood bottle stopperMAMCSTOPRW. **£14.50**
- Vintage white bottle stopperMAMCSTOPVW . **£14.50**



THERMAL MUGS

These thermal mugs will maintain your drinks temperature hot or cold. Desk mugs feature a wider design with handle.

Travel mugs are a slimmer design. Both types feature a non-slip base and a removable cap.

- 1 Travel mug, Union flag230-946 **£17.80**
- 2 Desk mug, Union flag230-947 **£17.80**



PETROL CAN HIP FLASKS

This stainless steel 5oz (142ml) hip flask shaped like a jerry can is a great gift for any car lover.

- Silver hip flask MAMCFLASK **£12.20**
- Black hip flask MAMCFLASKB **NCA**



HEATED BLANKET

The comfy cruise 12 volt heated travel blanket is ideal for all weather conditions. Offering both comfort and warmth, its 42" x 58" size is large enough for two people. It features an 8 foot long fused cord and automatic temperature control. Made of 100% high quality polyester fleece.

- Personal heated blanket, 12 volt 002-842..... **£39.30**



EMBROIDERED PATCHES

- British Leyland GAC9960X **£5.90**
- Union flag..... 229-510..... **£3.10**
- BMC GAC9961X **£5.90**



GAC4920

GAC4921

LEATHER KEY FOBS

These stitched leather fobs feature a chrome and enamel badge bearing a Morris or Minor 1000 logo. Made in England.

- Morris key fob GAC4920..... **£4.40**
- Minor 1000 key fob GAC4921..... **£4.40**



GARAGE SIGNS

High quality multi-coloured screen printed signs, perfect replicas of the originals.

- BMC dealer sign, 18" x 27" GAC9929X ... **£82.00**
- Keep calm and motor on sign, 12" x 16" 214-568..... **£20.10**
- British Leyland sign, 9" x 12" 214-735..... **£15.40**
- Genuine Lockheed hydraulic brake fluid sign, 12" x 16" ..214-563..... **£20.10**
- Vintage RAC sign, 12" x 16" 214-567..... **£20.10**
- Union Jack sign, 12" x 16" 214-552..... **£20.10**



WATERPROOF BLANKET

This waterproof blanket bring a touch of comfort to any roadside picnic. Neatly folded into a parcel, it can be easily stored and carried with its durable handle. They are manufactured from grey acrylic with a foam layer and waterproof PEVA backing. Size 51" x 70".

Waterproof blanket, grey, Moss logo 231-370..... **£30.50**



UNION FLAG

Made from lightweight polyester complete with metal grommets on the hoist. Ideal for those continental get-togethers.

Union flag - 36" x 60"..... GAC9939X ... **£24.60**



DYNOLITE OILS

Dynolite offers a premium quality range of lubricants and consumables developed for Veteran, Vintage & Classic cars and motorcycles.

Dynolite lubricants are formulated to exceed the original vehicle manufacturer's specifications and are blended using high quality base oils combined with additive formulations that are suitable for use in these historic vehicles.

For example, Dynolite Pre-War and Dynolite Classic engine oils include optimal levels of ZDDP to reduce wear, which is often found at reduced levels in modern engine oils.



Visit moss-europe.co.uk for more information



230-390



230-355



230-388

Fitment: Cars must be negative earth. Units supplied without faceplate or knobs.

RETRO SOUND RADIOS

The RetroSound range of radio & MP3 players maintain the original 'twin knob' (DIN-D) style mounting required for many classic cars. Music can be played from external sources such as iPods, USB flash drives & SD cards, all connected out of sight.

San Diego

DAB/DAB+ Tuner (DAB antenna or DAB Antenna Adaptor required), AM/FM Tuner, iPod/iPhone & Android compatible, Bluetooth, x2 rear USB ports & x2 rear Auxiliary inputs. 32,000 colour LCD with built in amp (45 watts peak/25 watts RMS x 4 channels).

RetroSound San Diego, chrome 230-383 **£336.90**

RetroSound San Diego, black 230-388 **£336.90**

Hermosa

AM/FM Tuner, iPod/iPhone & Android compatible, x1 rear USB port & x2 rear Auxiliary inputs. Dual colour LCD display (white and green) with built in amp (45 watts peak/24 watts RMS x 4 channels).

RetroSound Hermosa, chrome 230-390 **£272.90**

RetroSound Hermosa, black 230-395 **£272.90**

Long Beach

AM/FM Tuner, iPod/iPhone & Android compatible, Bluetooth, x2 rear USB ports & x2 rear Auxiliary inputs. 32,000 colour LCD with built in amp (45 watts peak/25 watts RMS x 4 channels).

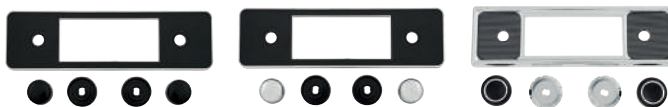
RetroSound Long Beach, chrome 230-381 **£364.50**

RetroSound Long Beach, black 230-386 **£364.50**

Laguna

Back to the basics with this AM/FM tuner with x1 rear auxiliary input. Adjustable-angle LCD display with built-in amp (40 watts peak/18 watts RMS x 4 channels).

RetroSound Laguna, chrome 230-355 **£176.70**



230-328

230-334

230-341

Faceplate and knob kits (F&K kits)

These kits let you finish off your RetroSound radio with the faceplate and knobs that match the original trim of your classic car. Knobs are available on their own as replacements. Please see our website for full range.

F&K kit, chrome faceplate/chrome knobs 230-326 **£43.20**

F&K kit, black faceplate/black knobs 230-327 **£43.20**

F&K kit, black/black faceplate/chrome knobs ... 230-329 **£43.20**

F&K kit, black/chrome faceplate/black knobs ... 230-328 **£43.20**

F&K kit, black/chrome faceplate/chrome knobs . 230-333 **£43.20**

F&K kit, black/chrome faceplate/black/chrome knobs. 230-334 **£43.20**

F&K kit, Becker pinstripe 230-341 **£42.10**

F&K kit, Blaupunkt, black 230-342 **£42.10**

F&K kit, Blaupunkt, black/chrome 230-346 **£43.20**

F&K kit, VW, ivory 230-343 **£42.10**

F&K kit, Ghia, chrome 230-344 **£42.10**

Knob set only, chrome 230-331 **£18.50**

Knob set only, black 230-332 **£18.60**



230-505



230-545



230-530



230-550

RETROMOD SPEAKERS BY RETRO SOUND

The RetroMod range of speakers from RetroSound has been designed to compliment their range of Classic radios and have been manufactured to meet the demands of modern high performance amplifiers.

Dual voice coils (DVC) speakers

This system allows for 2 stereo channels (left & right) to be connected to the same single speaker. This means that originality can be maintained on cars where a single speaker was fitted in the centre of the dash or rear shelf. These speakers are supplied individually without mesh grilles, to fit existing mountings.

DVC, 3 way, no grilles, 6.5" diameter, each 230-505 **£58.40**

DVC, 3 way, no grilles, 5" x 7", each 230-545 **£64.20**

Single voice coils (SVC) speakers

The SVC range of speakers is a standard configuration single channel speaker for normal installations (left & right mounted speakers, such as doors or dash).

These speakers are available in a range of sizes and specifications, see our website.

SVC, 2 way, 40W max, with grilles, 4.5" dia., pair ... 230-535 **£84.20**

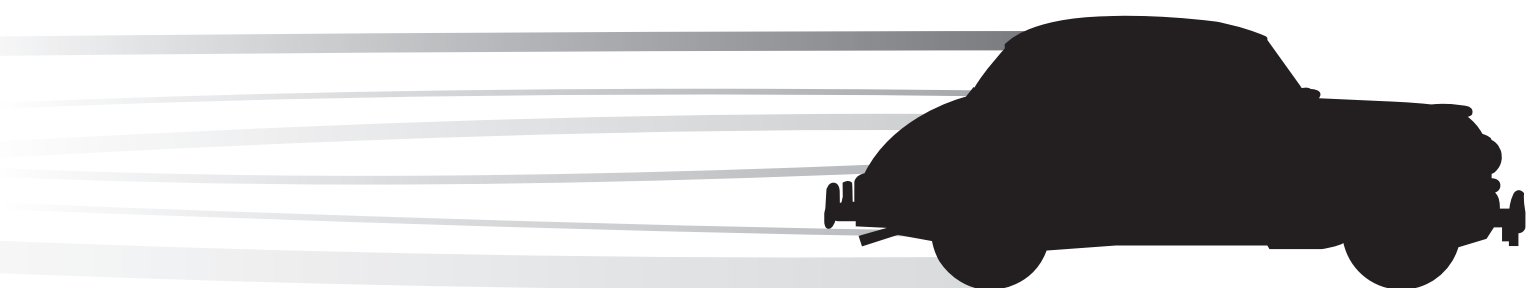
SVC, 3 way, 60W max, with grilles, 5" x 7", pair ... 230-540 **£86.50**

SVC, 3 way, 100W max, with grilles, 6" x 9", pair ... 230-531 **£124.10**

RetroMod 8" Subwoofer

The compact design and powerful bass response make this ideal for under seat mounting and numerous other in-car applications. The rigid die cast aluminium chassis and powerful Class D amplifier allows this sub to reproduce low frequencies down to 35Hz.

8" Subwoofer with internal amplifier 230-550 **£195.30**



Morris Minor **Restoration Parts**



Ordering Information

Notification of prices

Due to the volatility of world markets and currency fluctuations the prices in this catalogue are subject to change. Moss make every attempt to keep prices competitive and stable, however in common with all other suppliers in our industry, we reserve the right to alter these prices without prior notice.

For the latest prices, please visit our website www.moss-europe.co.uk. All prices are per unit (unless otherwise stated) and include (UK) VAT at 20% (where applicable) and are correct at the time of going to print. Postage and packaging is not included. E&OE. Where the price is replaced with NCA this part is Not Currently Available. Please visit our website (moss-europe.co.uk) or call our sales staff for the latest availability information or to enquire if we can offer an alternative part.

Product supersessions

Moss Europe's policy is to detail the most up to date part information in our catalogues. Where possible parts are kept to original specification. However, in some instances we have to supersede to the most viable alternative product to maintain supply and keep cars on the road. Every effort is made to ensure high quality products.

UK ordering

We accept orders by mail, telephone, e-mail, fax and on-line at www.moss-europe.co.uk. If you have the opportunity, we invite you to visit one of our branches. Remember, supplying details of your car, (i.e. engine, commission or Vehicle Identification Number (VIN) LHD or RHD, year of manufacture and any modifications) saves time and helps us to help you. Please inform us of your customer number, as this will speed up the processing of your order.

Overseas ordering

We accept orders by mail, telephone, e-mail, fax and on-line at www.moss-europe.co.uk. If you visit the U.K. please come and visit one of our branches. When ordering, please ensure that you enclose full details of your name, address and customer number, plus details of your car (i.e. engine, commission or Vehicle Identification Number (VIN) LHD or RHD, year of manufacture and any modifications).

Please note: Overseas orders are often subject to nearest import duties, taxes and Customs clearance, which will need to be paid for at the point of entry. These charges are NOT included in the price of the goods or delivery prices. All relevant Customs forms and documentation needed to ensure the order arrives with the minimum of delay, will be included with your shipment. If you have any special requirements, please contact us to discuss them. Delivery charges are dependent upon the size and weight of the shipment. If a quotation is required prior to placing an order, please contact the export department at your chosen branch and they will be pleased to supply a full quotation.

Parts back-order system

A back-order system is used when a part is not in stock at the time of ordering. If the item is expected to become available within 6 months, then it will be put on back-order, unless the customer instructs us otherwise. When we have the parts in stock, the back-order will be processed automatically and the item will be dispatched to the customer. If the particular part becomes No Longer Available (NLA) or does not become available within 6 months the back-order will be cancelled. If you are unsure when you placed a back-order contact your nearest branch.

Dispatch & delivery methods

Orders for delivery in the UK may be dispatched by regular post for small/lightweight items, larger items may be dispatched via a courier. Please call us for the best delivery option for your order and the latest delivery prices. For delivery outside the UK we offer the following services.

- **Economy delivery (by road):** 2 to 5 days (approximately).
- **Express delivery (by air):** 1 to 2 days (Guaranteed) - next day service to most countries.
- **For small and low value orders we also use airmail.**

For these services, please ask for prices and the best delivery option when you place your order. Most deliveries (except airmail) are 'trackable', (inc: e-mail updates and internet access for selected carriers). Please remember, all carriage charges are dependent on weight band, volume, destination and delivery time. If a quotation is required prior to placing your order, please contact a member of the sales department. Alternatively, you can arrange your own delivery and dispatch.

Windscreen delivery information

We always suggest that windscreens should be collected from one of our branches to ensure you are able to transport your glass with the utmost of care. However, we understand that this is not always possible.

To minimise the possibility of damage to the windscreen in the shipping process, it is now Moss Europe's policy to ship windscreens packed in a specially designed heavy duty 'Tri-Wall' cardboard box. The price of this box is £35.00 (ex VAT), non-refundable and is not included in the price of the product. The crate's dimensions will also increase shipping costs, particularly in EU countries. The crate dimensions are 150cm x 33cm x 74cm. The maximum volumetric weight is 92kgs. For more information please contact your nearest Moss branch.

Hazardous goods delivery information

At the time of going to print, Moss Europe Ltd conforms to international shipping regulations regarding packaging and transportation of Hazardous Goods by road and sea freight (only). Due to these international shipping regulations and licencing rules all goods deemed as Hazardous are currently available for shipping to the UK and Europe only. If you place an order containing Hazardous goods and your shipping address is not in the UK or Europe, we will not be able to ship this item to you. Please contact your nearest branch or visit our website moss-europe.co.uk for the latest delivery information of Hazardous goods.

Quotations & payment methods

We will be pleased to provide a full parts quotation detailing price, availability and relevant shipping costs. Payment may be made by cash, personal cheque (to the card guarantee limit), Certified Bank Draft, Sterling Travellers Cheques and credit or debit card including:

Mastercard, Visa, Delta. If you intend to make payment by Cheque or Bankers Draft when using our fast mail-order parts service, please confirm parts availability and carriage charges. We can accept payments using PayPal for website, email and phone orders.

Value added tax (VAT)

Value Added Tax (VAT) at the current UK rate of 20% will be levied on all orders being dispatched to countries within the UK, including Northern Ireland. Shipments to countries outside the UK, including all EU countries, will not be charged VAT.

Our UK website will only take payment in GB pounds (£).

Exchange units

We are able to offer a full rebuild service on numerous major components in our product range. We offer this service as an alternative to direct replacement parts, or when a brand new item is no longer available. However, the continuity of this exchange scheme needs the understanding and co-operation of our customers in relation to several important points: It is important to remember that "rebuild" does not mean "brand new". Rebuilding a unit involves stripping, cleaning, inspecting and re-assembling the unit. During this process, parts showing signs of wear will either be completely replaced or suitably renovated. However, it is not always feasible for major sub-components to be replaced with brand new ones, for example, an exchange engine will not have a new block. Due to the nature of certain product lines, some items can only be offered on a "one for one" exchange basis. This effectively means that you must offer us a viable unit before we can release a fully rebuilt item from our stock. In some instances we can only carry out reconditioning of your own unit. Our staff will inform you if this is the case.

All exchange units are subject to a surcharge. This surcharge serves two purposes; firstly, it acts as an incentive for you to return your old unit, and secondly it provides us with financial cover if your returned unit proves unsuitable for exchange purposes.

Whether or not your returned unit is suitable for exchange purposes cannot be ascertained until it is made available to us for inspection. As a general rule, suitable for exchange basically excludes any items that are beyond reasonable repair (e.g. crankcases pierced by a connecting rod) or units irrevocably damaged. We are also unable to accept units unless they are returned in whole, complete form (i.e. differential units which are returned partly stripped with no bearings and all the shims missing are not generally accepted), nor do we accept a "box of bits".

Surcharges will only be refunded once our core department has passed the item as serviceable. Under no circumstances can any exchange unit be shipped overseas until we receive your original unit. We have predetermined prices for our exchange units based on our experience of repair costs for a gearbox, axle or engine. Occasionally, however, the damage to the unit is so great that we will contact you before beginning work on your unit to advise you of any additional cost that may be incurred during the rebuild of the unit. We can return the unit (at your cost) if this proves unacceptable.

'Old unit' returns

Exchange items including reconditioned engines are subject to a surcharge that is refunded when a rebuildable unit (core) is returned. When you receive the rebuilt unit, attached to it will be a Core Return Authorisation Tag. This tag must be removed from the rebuilt unit and attached to the returned core in order to receive credit. Cores must be returned within 90 days of purchase in the original box, carton or engine cradle supplied with the rebuilt unit. Cores must be shipped clean and empty of fluids. Cores must be complete, assembled and rebuildable to receive credit or refund. You must pay all shipping charges for the return of the core and these charges are not refundable.

Warranty

All parts are warranted against defects in materials and workmanship for a period of twelve (12) months from the date of purchase. The warranty does not cover failure resulting from incorrect installation or misuse; failure during any competition, motorsports or track events; failure of any, or caused by any, related component. The warranty does not cover labour charges, nor will a warranty settlement be greater than the cost of the original component. Should you need to make a warranty claim, please contact us immediately at the branch of purchase. We will then advise you as to the best course of action. With all warranty claims a copy of the original purchase invoice must be produced.

Warranty returns

Parts that fail in use may be returned for 12 months from the date of purchase. Returns must be accompanied by the original invoice - no warranty claims will be paid without a copy of the original invoice. Return freight will be reimbursed. Electrical parts returned for warranty will be tested and if found functional, no return credit will be given and the part will be returned. Reimbursement is made by the original payment method. Complete the return form included in each order, pack the items securely and use the shipping return label supplied.

Non-warranty returns

All uninstalled parts, in their original packaging may be returned within 90 days for any reason. A copy of the original invoice or the picking label (which is generally attached to the original packaging) must accompany the return. Return freight is paid by the customer. If the return is due to our error, the return freight will be reimbursed. Parts returned outside of this policy or in non-resalable condition may not be accepted or may be assessed a 15% handling fee. Reimbursement is made by the original payment method. Complete the return form included in each order, pack the items securely and use the shipping return label supplied.

Customer service

We value your custom and wish to ensure that you receive the very best service. Every effort will be made to provide you with Quality Parts and Expertise in a relaxed, helpful and friendly manner. Should you consider the service you receive from us to be unsatisfactory, or you have any problems with the part(s) purchased, please advise a member of the sales team at the originating branch. If the matter is not resolved to your satisfaction, please contact our Customer Services Department and we will do our very best to resolve the issue, either email: customerservices@moss-europe.co.uk or write to: Customer Services, Moss Europe Ltd Unit 16, Hampton Business Park, Bolney Way, Feltham TW13 6DB England.

British Motor Heritage

Moss Europe Ltd is a British Motor Heritage approved specialist. Our agreement with British Motor Heritage allows us the use of marque logos and some of the artwork contained within this catalogue.



A			
Air Cleaner, (948cc Early)	33		
Air Cleaner, (803cc)	33		
Air Filter, (1098cc)	33		
Air Filter, (948cc Late)	33		
Alternator	49		
Alternator Conversion Kit	49		
Axle Assembly	23		
B			
Badge, Rear Door (Traveller)	81		
Badges, Bonnet & Bootlid	79		
Battery	51		
Baulk Ring	21		
Bezel, Rear Lamp (Saloon)	59		
Bezel, Rear Lamp (Traveller)	61		
Big End Bearing Set	09		
Body Frame (Traveller)	81		
Bonnet	73, 79		
Bonnet Fittings	79		
Bootlid	73, 79		
Bootlid Fittings	79		
Boxing Plate, Sill	75		
Brake Hoses	39		
Brake Light Switch	39, 67		
Brake Master Cylinder	39		
Brake Pedal	39		
Brake Pipes	39		
Breather Hose	33		
Bulb, Front Indicator	57		
Bulb, Headlamp	57		
Bulb, Rear Indicator	59		
Bulb, Stop & Tail	59, 61		
Bulb, Warning Lamp	65		
Bump Stop, Front	45		
Bump Stop, Rear	47		
Bumpers	83		
C			
Cable Trunnion	31		
Cable, Battery to Starter	51		
Cable, Choke	69		
Cable, Pull Start	69		
Cam Gear	09		
Carburettor, SU H1	27		
Carburettor, SU H2	27		
Carburettor, SU HS2	29		
Chassis Leg	77		
Choke Cable	31		
Clutch Alignment Tool	17		
Clutch Pedals & Mechanism	17		
Coil	55		
Conversion Gasket Set	07		
Cowl, Indicator Stalk	69		
Crankshaft	09		
Crossmember, Centre	77		
Crossmember, Rear	77		
Crown Wheel & Pinion	23		
Cylinder Head	11		
D			
Damper Link, Rear	47		
Damper Oil	45, 47		
Damper Spring, H Type	27		
Damper Spring, HS Type	29		
Damper, H Type	27		
Damper, HS Type	29		
Damper, Lever Arm, Front	45		
Damper, Lever Arm, Rear	47		
Damper, Telescopic, Rear (Van & Pickup)	47		
Dashboard (Series II)	65		
Demist Duct & Hose	71		
Differential	23		
Dip Switch	69		
Distributor	55		
Door Check Straps	93		
Door Fittings, Front & Rear	85		
Door Glass, Front & Rear	87		
Door Glass, Rear (Traveller)	85		
Door Hinges	91		
Door Lock & Linkages	91, 93		
Door Skins, Front & Rear	73		
Door Strikers	93		
Door, Front	73		
Door, Rear	73		
Drive Shaft	23		
Dynamo	49		
E			
Engine Mountings	13		
Engine Steady Cable	13		
Engine Tie Bar	13		
Exhaust Fittings	35		
Exhaust Manifold	35		
Exhaust System	35		
F			
Fan Belt	15		
Filler Cap	37		
Filler Neck	37		
Finisher, Windscreen	85		
Flasher Relay Unit	67		
Flasher Unit	67		
Flitch, Front	75		
Float, H Type	27		
Float, HS Type	29		
Floor Panels	75		
Front Panel	73		
Front Side/Indicator Lamps	57		
Front Wing	73		
Fuel Filter	37		
Fuel Hose	37		
Fuel Pipe	37		
Fuel Pump	37		
Fuel Tank	37		
Fuse Box	67		
G			
Gasket Pack, H Type	27		
Gasket Pack, HS Type	29		
Gasket Set 'De Coke'	11		
Gasket, Rear Lamp (Saloon)	59		
Gasket, Rear Lamp (Traveller)	61		
Gauge, Fuel	65		
Gear Lever	19		
Gear Lever Anti Rattle Kit	19		
Gear Lever Gaiter	19		
Gearbox Cover	95		
Gearbox Crossmember	13		
Gearbox Gasket Set	19		
Gearbox Mountings	13		
Grille (1000)	73		
Grille 'Cheese-grater' (Series II)	73		
Grille Surround	73		
H			
Headlamps	57		
Heaters & Fittings	71		
Heater Tap	15, 71		
Heater Valve	15, 71		
Hinge, Bootlid	79		
Horn Push	69		
Horns	67		
HT Leads	55		
Hub	23		
Hub, Front	45		
I			
Ignition Switch	69		
Indicator Switch	69		
Inlet Manifold	35		
Inner Wing, Front	75		
Inner Wing, Rear	75		
Input Shaft	21		
Interior Lamp	61		
J			
Jet Bearing Kit, H Type	27		
Jet Bearing Kit, HS Type	29		
Jet, H Type	27		
Jet, HS Type	29		
K			
Kickplate, Sill	75		
L			
Laygear	21		
Lens, Front Side/Indicator Lamps	57		
Lens, Rear Lamp (Saloon)	59		
Lens, Rear Lamp (Traveller)	61		
Light Switch	69		
Lock Barrel Set	93		
Lock, Bootlid	79		
Lower Arm	45		
M			
Main Bearing Set	09		
Mainshaft	21		
Manifold Clamp	35		
Manifold Gasket	35		
N			
Needle & Seat Kit, H Type	27		
Needle & Seat Kit, HS Type	29		
Needle, H Type	27		
Needle, HS Type	29		
Number Plate Fixings	83		
Number Plate Lamp	61		
O			
Oil Cap	11		
Oil Filter	07		
Oil Pressure Switch	67		
Oil Seal Conversion	09		
P			
Pad, Saddle Plate	47		
Pedal Rubber	17, 31		
Pinion Bearing	23		
Piston & Chamber, H Type	27		
Piston & Chamber, HS Type	29		
Piston Ring Sets	09		
Piston Sets	09		
Points, Ignition Contact	55		
Propshaft	25		
Q			
Quarter Light Glass	87		
R			
Radiator	15		
Radiator Cowl	15		
Radiator Hoses	15		
Rear Doors (Traveller)	81		
Rear Lamp (Saloon)	59		
Rear Lamp (Traveller)	61		
Rear Wing	73		
Rebuild Kit, H Type	27		
Rebuild Kit, HS Type	29		
Reconditioned/Exchange Cylinder Heads	11		
Reconditioned/Exchange Engines	07		
Reconditioned/Exchange Gearboxes	19		
Reflectors	61		
Return Spring	31		
Reverse Light Switch	67		
Road Spring, Rear	47		
Rocker Shaft	11		
Rocket Cover	11		
Rotor Arm	55		
S			
Saddle Plate, Rear Spring	47		
Seal, Bootlid	79		
Seal, Windscreen	85		
Selector Rods	19		
Shackle, Rear Spring	47		
Side Glass, Rear (Traveller)	85		
Side Panel, Front	75		
Sills	75		
Spark Plug	55		
Speedo	65		
Speedo Drive	19		
Spigot Bush	09		
Spring Hanger, Repair	77		
Starter Motor	49		
Starter Solenoid	67		
Starter Switch, Key Starter	67, 69		
Starter Switch, Pull Starter	67, 69		
Steering Column & Rack	43		
Stub Axle	45		
Sump	07		
Swivel Pin	45		
Synchro Hub	21		
T			
Thermostat	11, 15		
Throttle Cable	31		
Throttle Disc, H Type	27		
Throttle Disc, HS Type	29		
Throttle Pedal	31		
Throttle Spindle, H Type	27		
Throttle Spindle, HS Type	29		
Tie Bar, Front Suspension	45		
Timing Chain	09		
Timing Cover	07		
Torsion Bar	45		
Track Rod End	43		
Trafficators	59		
Trunnions, Swivel Pin	45		
U			
U Bolt, Axle	47		
Under Floor	75		
Under Sill	75		
Universal Joint	25		
V			
Vacuum Pipe	55		
Valves	11		
Voltage Regulator	67		
W			
Washer Bottle	63		
Washer Jet	63		
Washer Pump	63		
Water Pump	15		
Weather Strips	87		
Wheel Arch, front	75		
Wheel Arch, Rear	75		
Window Regulators	87		
Windscreens	85		
Windscreen Wipers	63		
Wiper Switch	69		
Wiring Harness	51		
Wiring Harness Fittings	53		
Woodwork (Traveller)	81		
Y			
Yoke, Propshaft	25		

Morris Minor - A Brief History

Following from the success of the Series MM the Morris Minor went through numerous changes throughout its production life. The brief history below details some of the changes which occurred in each version of the Minor.

Model	Chassis Numbers	Years
Series II 803cc A Series Engine	(c) 160001 to 448714	August 1952 to September 1956

The Series II Morris Minor saw some key changes in the Morris Minor's history. Following the merger of Austin & Morris companies to form BMC the Minor was fitted with Austin's 'A Series', 803cc engine, replacing Morris's side valve engine. Other notable changes that took place during the Series II production include: fitting of A type rear axle; a revised dashboard with a central speedo and glove boxes either side; slatted grille with repositioned side lights; Deluxe models with leather faced seats, heaters, passenger sunvisor & overriders were also offered. The Series II also saw the introduction of new body styles; the 4 door Saloon, Traveller, along with the light commercial models - quarter ton Van & Pickup.

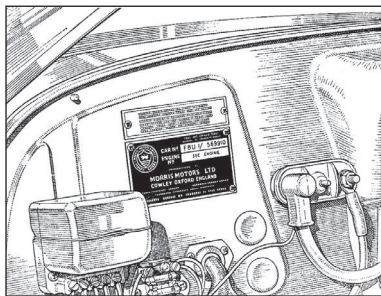
Series III Early 1000 948cc A Series Engine	(c) 448801 to 990289	October 1956 to September 1962
---	----------------------	-----------------------------------

The introduction of the Minor 1000 brought with it more improvements. The engine's capacity was increased to 948cc giving improved performance desired by many motoring journalists of the time; the split windscreen was replaced with a larger single piece, curved screen; the rear screen was also enlarged; a dished & wire spoked steering wheel was introduced; horn & trafficator controls were moved to a stalk switch on the steering column, latterly indicators were introduced with an integrated warning lamp on the end of the stalk, the horn was repositioned to the steering wheel; larger side lights were also added during production.

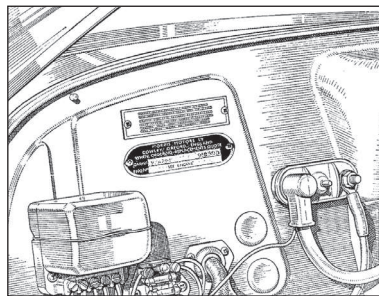
Series V Late 1000 1098cc A Series Engine	(c) 990290 to 1294082	September 1962 to April 1971
---	-----------------------	---------------------------------

The Minor 1000 was further updated with the 1098cc A Series engine, again giving more power & torque, fitted with a new design of air filter; the body remained largely unchanged from the 948cc model but the wipers now operated in tandem and were fitted with longer arms & blades; external changes included the fitting of combined side/indicator lamp units; the fascia was changed to include the chrome & alloy surround for the speedo and a glove box lid added to passenger's side with driver's side open; two-spoke safety steering wheel introduced; redesigned interior trim with heat-formed vinyl panels.

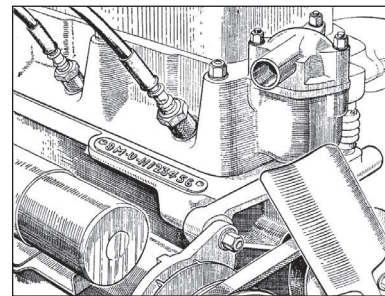
Serial Number Identification Plate Locations



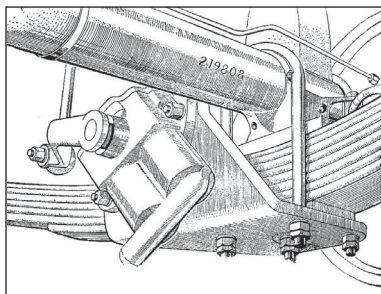
The Car Number is stamped on a plate secured to the right-hand side dash panel.



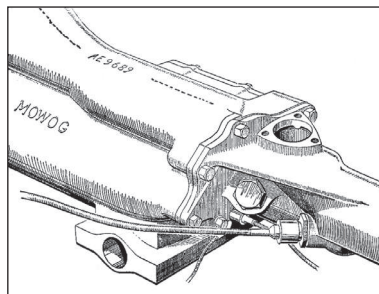
The Car Number is stamped on a plate secured to the right-hand side dash panel.



The Engine Number is stamped on a plate secured to the right-hand side of the cylinder block.



The Rear Axle Number is stamped on the front of the left-hand axle tube adjacent to the spring seat.



The Gearbox Number is stamped on the top of the gearbox casing adjacent to the dipstick.

Please note: In most circumstances Moss can supply both an OE (Original Equipment) part or an Aftermarket part. The Aftermarket part offers a high quality part but usually at a reduced price and in certain circumstances replaces the OE part when no longer available. The Aftermarket part is indicated by a letter "Z" at the end of the part number.

Car Number Prefix Coding

Series II Models

CAR NUMBER PREFIX CODING	
The car number prefix comprises of a series of letters and numbers, presenting in code the model, body type, colour, class, and type of paint used, together with the number of the car.	
1st PREFIX LETTER - MODEL F - Morris Minor	2nd PREFIX LETTER - TYPE A - Saloon 4-Door C - Tourer B - Saloon 2-Door L - Traveller
3rd PREFIX LETTER - COLOUR A - Black F - Beige	
4th PREFIX LETTER - CLASS 1 - RHD UK Only 3 - LHD 2 - RHD Not UK 4 - North America	5th PREFIX - PAINT 1 - Synthetic
CODE EXAMPLE	
<p style="text-align: center;">F A A 1 / 160001</p>	

Series III Models

1st TYPE	
The car number prefix comprises of a series of letters and numbers, presenting in code the model, body type, colour, class, and type of paint used, together with the number of the car.	
1st PREFIX LETTER - MODEL F - Morris Minor	2nd PREFIX LETTER - TYPE A - Saloon 4-Door C - Tourer B - Saloon 2-Door L - Traveller
3rd PREFIX LETTER Paint Colour	
4th PREFIX LETTER - CLASS 1 - RHD UK Only 3 - LHD 2 - RHD Not UK 4 - North America	5th PREFIX Paint Finish
CODE EXAMPLE	
<p style="text-align: center;">F A A 1 / 448801</p>	

Series V Models

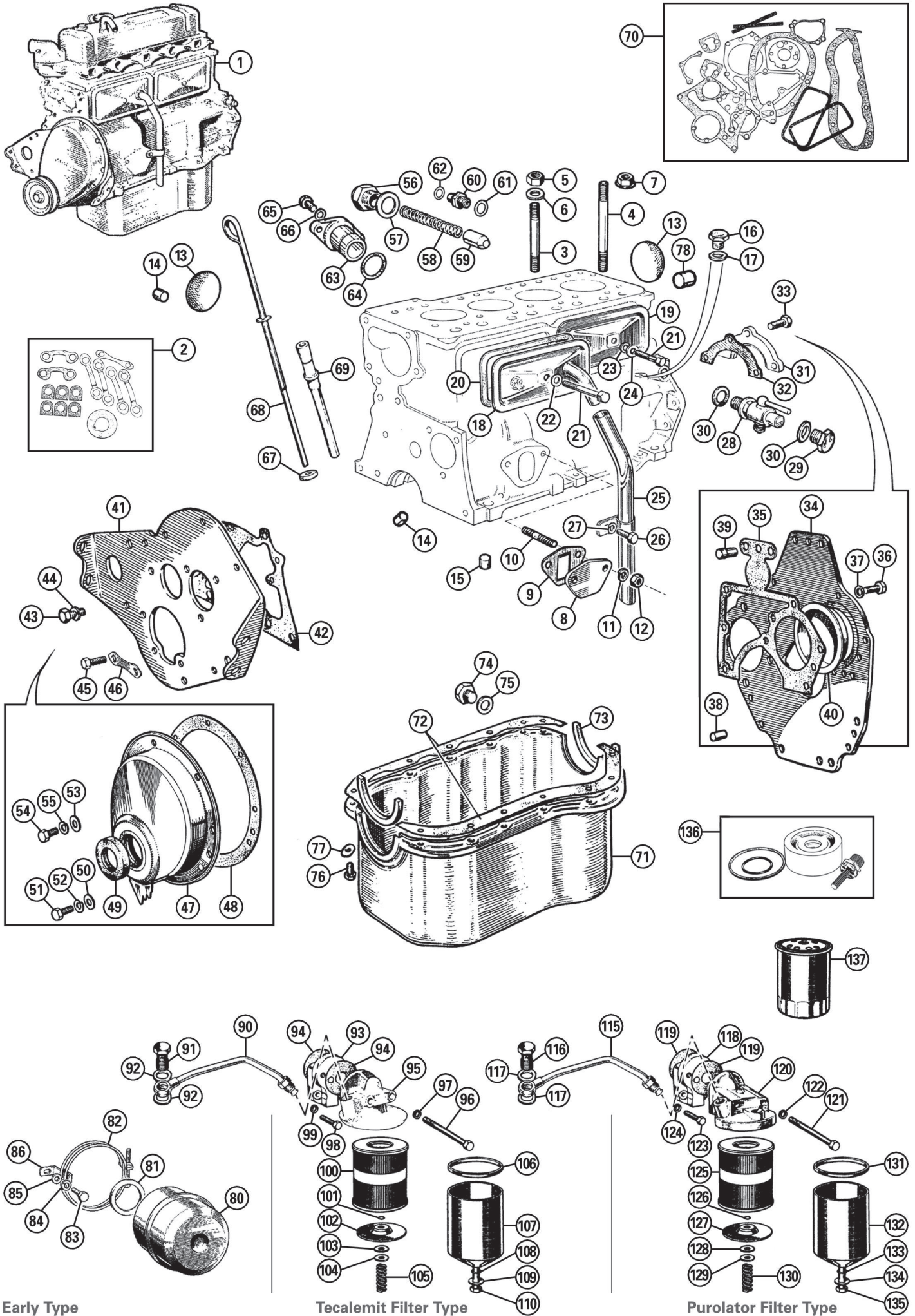
2nd TYPE	
The car number prefix comprises of a series of letters and numbers, presenting in code the model, engine type, body type, series and where applicable, left-hand drive.	
1st PREFIX LETTER - NAME M - Morris	2nd PREFIX LETTER - ENGINE TYPE A - Type
3rd PREFIX LETTER - BODY TYPE 2S - Saloon 2-Door T - Tourer S - Saloon 4-Door W - Traveller	
4th PREFIX - SERIES OF MODEL 3 - 3rd Series 5 - 5th Series	5th PREFIX (Used to denote car is different to standard right-hand drive) D - De-Luxe L - Left-Hand Drive
CODE EXAMPLE	
<p style="text-align: center;">M A S 5 - 990290</p>	

Engine Number Prefix Coding

POWER UNIT SERIAL NUMBER CODING
The engine number prefix comprises of a series of letters and numbers, presenting in code the capacity and make, the ancillaries fitted and the type of compression.
1st PREFIX GROUP - CUBIC CAPACITY AND MAKE
1st Prefix Number: 8 - 803cc 1st Prefix Letter: M - Morris 2nd Prefix Letter: A - Variation Of Engine Types
2nd PREFIX GROUP - ANCILLARIES
U - Centre Gear Change Gearbox
3rd GROUP - ENGINE NUMBER
Engine Number Of Unit
CODE EXAMPLE
<p style="text-align: center;">8MA - U - H 101</p>

The power unit number prefix comprises a series of letters and numbers, presenting in code the cubic capacity and make, the ancillaries fitted, and the type of compression.
1st PREFIX GROUP - CUBIC CAPACITY, MAKE AND TYPE
1st Prefix Number: 9 - 900 to 1000cc 10 - 1000 to 1100cc 1st Prefix Letter: M - Morris MA - Morris
2nd PREFIX GROUP - GEARBOX AND ANCILLARIES
U - Centre Gear Change Gearbox
3rd GROUP - COMPRESSION AND SERIAL NUMBER
H - High Compression & Serial Number Of Unit L - Low Compression & Serial Number Of Unit
CODE EXAMPLE
<p style="text-align: center;">9 M - U - H - 101</p>

CODE EXAMPLE
<p style="text-align: center;">10 MA - U - H - 101</p>



Ill.	Part Number	Price Eea.	Description	Req.	Details
External Engine					
1	8G12E	£2,163.50	ENGINE, recon./exchange, lead free	1	803cc (C.O.U.)
	8G25E	£1,975.40	ENGINE, recon./exchange, lead free	1	948cc (C.O.U.)
	8G162E	£1,995.00	ENGINE, recon./exchange, lead free	1	1098cc (C.O.U.)
2	GFK1002	£38.60	LOCKTAB SET, engine	1	803-1098cc
3	CAM151	£4.90	STUD, cylinder head, short	5	
4	CAM150	£7.10	STUD, cylinder head, long	4	
5	51K1193	£1.52	NUT, cylinder head	9	
6	12H2178	£0.53	WASHER, plain	9	
7	51K1193B	£2.30	NUT, cylinder head, flanged/uprated	9	alternative to 1H1193 & 12H2178
8	2A265	£4.60	BLANKING PLATE, fuel pump	1	
	2A265K	£6.60	BLANKING PLATE KIT, fuel pump (Includes blanking plate, gasket & hardware).	1	
9	2A113	£0.67	GASKET, blanking plate	1	
10	CHS2515	£1.51	STUD, blanking plate	2	
11	GHF332	£0.43	WASHER, spring	2	
12	GHF201	£0.18	NUT	2	
13	2K8169	£1.16	CORE PLUG, block, dish, 1.5/8"	4	948-1098cc
14	1A1964	£2.80	RESTRICTOR, oil feed	1	
15	2K1345	NCA	PLUG, oil relief valve passage	2	
16	2K4994	£4.40	PLUG, oil priming	1	
17	6K464B	£1.07	WASHER, plug sealing	1	
18	12A1382	NCA	TAPPET COVER, front, with tube	1	948cc, convex
	12A1212	NCA	TAPPET COVER, front, with separator	1	1098cc, concave
19	12A1386	NCA	TAPPET COVER, rear, convex	1	
	12H941	NCA	TAPPET COVER, rear, concave	1	
20	12A1139	£1.48	GASKET, tappet cover, cork	2	948-1098cc, convex
	GUG5505GM	£1.70	GASKET, tappet cover, rubber	2	1098cc, concave
	12A1175C	£1.72	GASKET, tappet cover, thick	2	948-1098cc
	296-377	£19.50	GASKET, tappet cover, silicone, pair	1	948-1098cc
21	BH605151	£1.18	BOLT, 5/16" UNF x 1.875"	2	for convex covers
	SH605091	£1.07	BOLT, 5/16" UNF x 1.25"	2	for concave covers
22	2K4958	£0.46	WASHER, fibre	2	
23	12A1176	£1.60	SEAL, rubber	2	alternative to
24	12A1177	£1.28	CUP WASHER, seal	2	2K4958
25	2A118	NCA	PIPE, crankcase vent	1	948cc
26	SH605051	£1.07	SCREW	1	
27	GHF322	£0.24	WASHER, star	1	
28	3H576	£22.40	TAP, block drain	1	alternative
29	53K2853	£8.00	PLUG, block drain	1	
30	6K638	£0.37	WASHER, copper, sealing	1	
31	2A51	NCA	COVER, rear	1	
32	AE6240B	£1.03	GASKET, rear cover	1	
33	53K1028	NCA	BOLT, cover to block	3	from (e) 198222
34	88G226	NCA	ENGINE PLATE, rear	1	803-948cc
	12G275	NCA	ENGINE PLATE, rear	1	1098cc
35	AE6554B	£1.40	GASKET, rear plate to block	1	
36	SH605051	£1.07	SCREW, rear plate to block	7	
37	GHF332	£0.43	WASHER, locking	7	
38	1G752	£1.52	DOWEL, lower	1	
39	12G422	£0.85	DOWEL, upper	1	
40	12G276	NCA	COVER, oil pump	1	
41	12G312	NCA	ENGINE PLATE, front	1	803-948-1098cc
42	12G619B	£1.51	GASKET, front plate to block	1	
43	SH605051	£1.07	SCREW, front plate to block	2	
44	GHF332	£0.43	WASHER, spring	2	
45	53K2016	£0.73	SCREW, engine plate to main bearing cap	2	
46	12G2097	£4.40	LOCKTAB	1	
47	2A552	NCA	COVER, timing chain	1	948cc to (e) H453031 / (e) L449772
	12A1419	NCA	COVER, timing chain	1	948-1098cc (e) H453031 & (e) L449772 on
48	12A956B	£1.66	GASKET, timing chain cover	1	
49	2K7140	£3.40	SEAL, felt, crank/timing cover	1	use with 2A552
	88G561	£2.70	SEAL, rubber, crank/timing cover	1	use with 12A1419
50	2K5197	£0.41	WASHER, oval, small	6	
51	SH604031	£1.45	SCREW, 1/4"	6	
52	GHF331	£0.42	WASHER, spring, 1/4"	6	
53	2K7440	£1.33	WASHER, oval, large	4	
54	SH605051	£1.07	SCREW, 5/16"	4	
55	GHF322	£0.24	WASHER, spring, 5/16"	4	
56	12A1851	£5.90	CAP, oil PRV	1	
57	6K431B	£0.82	WASHER, fibre	1	
58	6K853	£1.64	SPRING, oil PRV	1	standard
	6K853C	£1.45	SPRING, oil PRV, uprated	1	high pressure
59	12H865	£5.50	PLUNGER, oil PRV	1	standard
	12H865X	£0.78	BALL, oil PRV (This ball valve prevents the plunger sticking).	1	improved
60	CAM6431	£6.10	UNION, brass, pressure gauge	1	when gauge fitted
61	2K4956	£0.44	WASHER, sealing	1	
62	2K4936	£0.34	WASHER, leather, sealing	1	adaptor to gauge pipe

Ill.	Part Number	Price Eea.	Description	Req.	Details
63	1G1300	NCA	HOUSING, distributor	1	
	2A612	NCA	HOUSING, distributor	1	from (e) 225190
	12A1136	NCA	HOUSING, distributor	1	alternative to 2A612
64	13H2792	£1.30	'O' RING	1	
65	GHF117	£0.34	SCREW, housing to block	2	
66	GHF321	£0.24	WASHER, star	2	
67	AEC671	£0.56	WASHER, rubber, dipstick	1	
68	2A294	£63.60	DIPSTICK	1	803-948cc
	12G175	NCA	DIPSTICK	1	1098cc
69	12G107	£8.60	TUBE ASSEMBLY, dipstick	1	1098cc
70	AJM201	£15.40	GASKET SET, 'conversion' bottom end	1	
71	12G173	NCA	SUMP	1	
72	AJM501	£4.70	GASKET, sump, 2 piece	1	
73	LZB10005	£3.72	SEAL, sump to main cap, front & rear	2	
74	88G257	£1.90	DRAIN PLUG, sump	1	
75	6K638	£0.37	WASHER, copper, drain plug	1	
76	SH604041	£0.44	SCREW, sump securing, 9/16" long	14	
77	2K5197	£0.41	WASHER, oval	14	
78	12G3503	£2.42	PLUG, oil gallery	2	
80	GFE107	£13.50	FILTER, oil	1	
81	301422	NCA	RING, sealing	1	
82	3H2143	NCA	CLIP, locking	1	
83	SH604041	£0.44	SCREW	1	early to (e) 320829
84	GHF331	£0.42	WASHER, spring	1	
85	GHF300	£0.24	WASHER, plain	1	
86	2A134	NCA	BRACKET, filter to block	1	

Tecalemit Filter Type

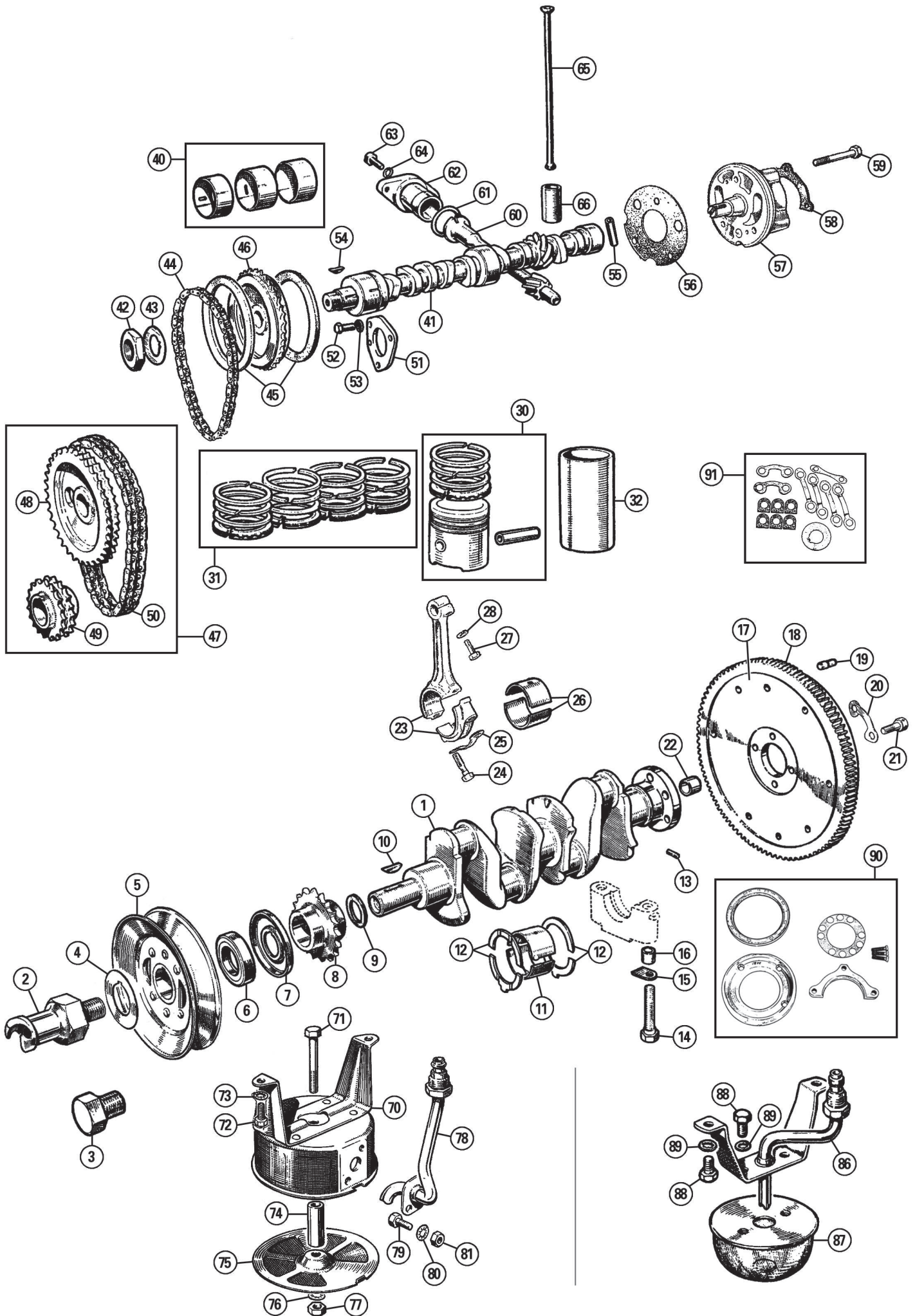
90	88G538	NCA	PIPE, filter head to block	1	
91	2A715	£22.80	BOLT, banjo, pipe to block	1	
92	AED172	£1.30	WASHER, sealing	2	
93	AEA657	NCA	ADAPTOR, filter head to block	1	
94	88G402B	£0.46	GASKET	2	
95	17H945	NCA	FILTER HEAD, Tecalemit type	1	
96	BH506281	£2.21	BOLT, filter head, 3.5" long	2	alternatives
	BH506301	£2.15	BOLT, filter head, 3.25" long	2	check length
97	GHF333	£0.34	WASHER, locking	2	
98	GHF165	£0.44	SCREW, adaptor to block	2	
99	GHF333	£0.34	WASHER, locking	2	
100	8G684	£8.80	OIL FILTER, felt element	1	
	GFE103	£4.00	OIL FILTER, paper element	1	includes seal
101	1K372	£0.73	CLIP, plate retaining	1	
102	17H846	£13.30	PLATE, pressure	1	
103	2K5820	£0.64	WASHER, felt	1	
104	17H1765	NCA	WASHER, plain	1	
105	7H1764	£3.40	SPRING	1	
106	13H998	£1.80	SEALING RING, large	1	
107	17H944	NCA	BOWL, filter housing	1	
108	7H1759	£0.58	SEALING RING, small	1	
109	17H1172	£10.10	COLLAR, centre bolt	1	
110	17H943	NCA	BOLT	1	

Purolator Filter Type

115	88G538	NCA	PIPE, filter head to block	1	
116	2A715	£22.80	BOLT, banjo, pipe to block	1	
117	AED172	£1.30	WASHER, sealing	2	
118	AEA657	NCA	ADAPTOR, filter head to block	1	
119	88G402B	£0.46	GASKET	2	
120	17H9463	NCA	FILTER HEAD, Purolator type	1	
121	BH506281	£2.21	BOLT, filter head, 3.5" long	2	alternatives
	BH506301	£2.15	BOLT, filter head, 3.75" long	2	check length
122	GHF333	£0.34	WASHER, locking	2	
123	GHF165	£0.44	SCREW, adaptor to block	2	
124	GHF333	£0.34	WASHER, locking	2	
125	8G684	£8.80	OIL FILTER, felt element	1	
	GFE103	£4.00	OIL FILTER, paper element	1	includes seal
126	27H2573	NCA	CLIP, plate retaining	1	
127	17H846	£13.30	PLATE, pressure	1	
128	7H28	£1.99	SEALING WASHER	1	
129	GHF302	£0.36	WASHER, plain	1	
130	500319	NCA	SPRING	1	
131	12A1591	£1.54	SEALING RING, large	1	
132	17H1169	NCA	BOWL, filter housing	1	
133	508380	£2.20	SEALING RING, small	1	
134	17H1172	£10.10	COLLAR	1	
135	37H689	NCA	BOLT	1	

Spin-On Filter Conversion

136	GFK1001	£87.70	OIL FILTER KIT, spin-on conversion (Converts to spin-on type filter, will fit all Tecalemit and most Purolator filter heads).	1	
137	GFE166	£3.00	OIL FILTER, spin-on (Use with GFK1001 spin-on conversion kit and spin-on filter heads if already fitted).	1	



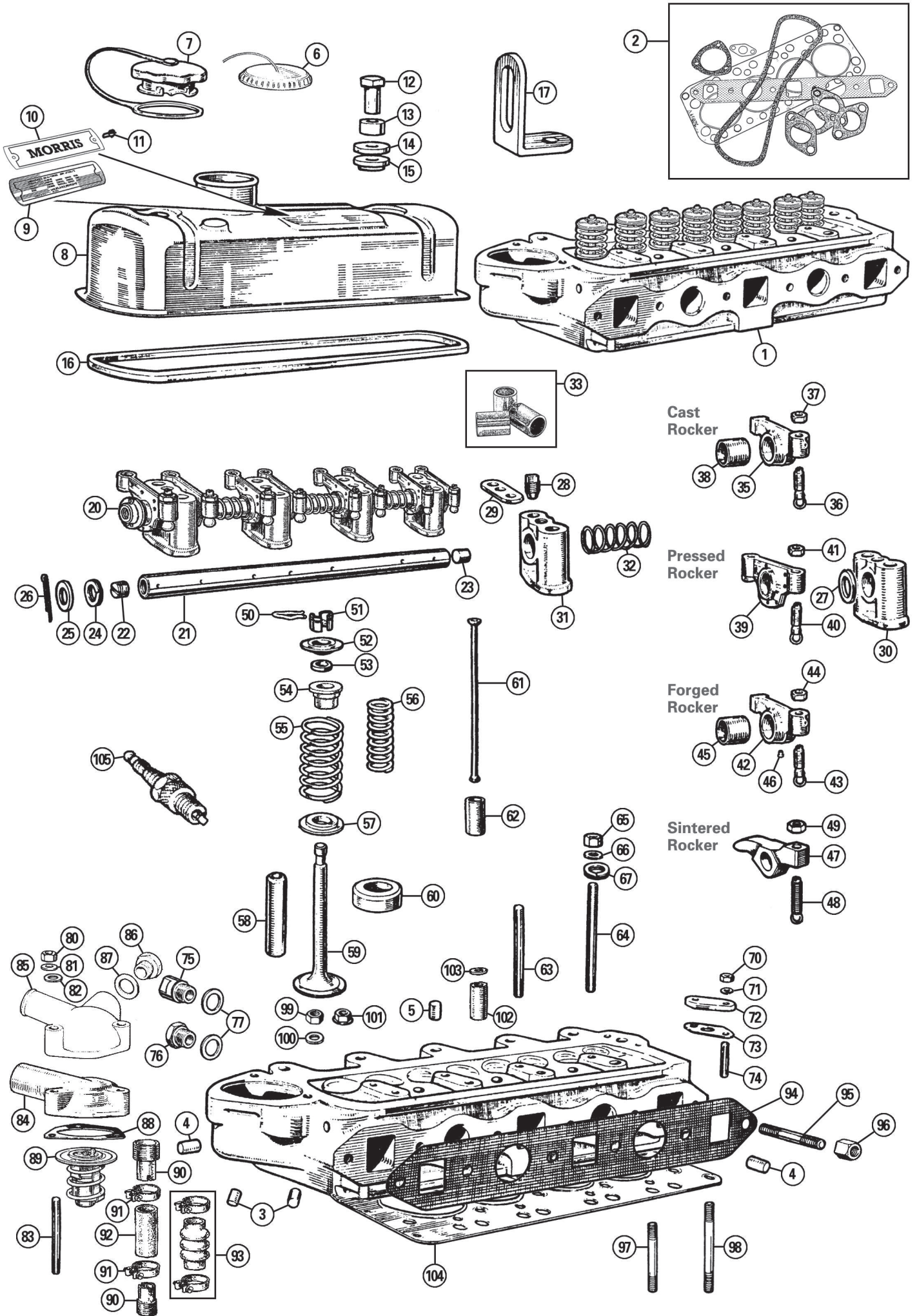
Ill.	Part Number	Price Eea.	Description	Req.	Details
Internal Engine					
1	2A851E	£225.00	CRANKSHAFT, recon./exchange	1	803cc, with bearings
	2A828E	£246.00	CRANKSHAFT, recon./exchange	1	948cc, with bearings
	8G2732E	£225.00	CRANKSHAFT, recon./exchange	1	1098cc, with bearings
2	2A260	£6.20	BOLT, crank pulley (With starter handle drive).	1	
3	AEA312	£11.30	BOLT, crank pulley (Without starter handle drive).	1	
4	12A398	£1.34	LOCKTAB, crank pulley bolt	1	
5	CAM6323	£44.10	PULLEY, crankshaft	1	
6	2K7140	£3.40	SEAL, felt, crank/timing cover	1	use with timing cover 2A552
	88G561	£2.70	SEAL, rubber, crank/timing cover	1	use with timing cover 12A1419
7	2A1015	NCA	OIL THROWER, cupped	1	single row timing chain
	12A1148	£3.90	OIL THROWER	1	modified, for use with 12G2506 cover
8	8G725	£13.40	CRANK GEAR, single row 'simplex'	1	
9	6K628	NCA	SHIM	a/r	
10	6K836	£10.60	KEY, timing gear to crank	1	
11	8G2222	£33.50	MAIN BEARING SET, engine set, std.	1	
	8G2222/10	£33.50	MAIN BEARING SET, engine set, +0.010"	1	
	8G2222/20	£33.50	MAIN BEARING SET, engine set, +0.020"	1	948cc
	8G2222/30	£33.50	MAIN BEARING SET, engine set, +0.030"	1	
	8G2222/40	£38.80	MAIN BEARING SET, engine set, +0.040"	1	
	8G2332	£34.00	MAIN BEARING SET, engine set, std.	1	
	8G2332/10	£34.00	MAIN BEARING SET, engine set, +0.010"	1	
	8G2332/20	£34.00	MAIN BEARING SET, engine set, +0.020"	1	1098cc
	8G2332/30	£34.00	MAIN BEARING SET, engine set, +0.030"	1	
	8G2332/40	£30.00	MAIN BEARING SET, engine set, +0.040"	1	
	8G2332/HD	£64.90	MAIN BEARING SET, engine set, std.	1	1098cc Heavy Duty
	8G2332/10HD	£64.90	MAIN BEARING SET, engine set, +0.010"	1	
	8G2332/20HD	£64.90	MAIN BEARING SET, engine set, +0.020"	1	
	8G2332/30HD	£64.90	MAIN BEARING SET, engine set, +0.030"	1	
	8G2332/40HD	£64.90	MAIN BEARING SET, engine set, +0.040"	1	
12	1A1716A	£17.80	THRUST WASHER SET, engine set, std.	1	803-948cc
	1A1716A/5	£10.50	THRUST WASHER SET, engine set, +0.005"	1	
	BHM11292	£13.80	THRUST WASHER SET, engine set, std.	1	
	BHM1292/3	NCA	THRUST WASHER SET, engine set, +0.003"	1	1098cc
	BHM1292/10	NCA	THRUST WASHER SET, engine set, +0.010"	1	
13	1G1167	NCA	RESTRICTOR, oil feed to crankshaft	4	
14	12A1910	NCA	BOLT, main bearing cap	6	
15	6K927	£1.28	LOCKTAB, main bearing cap	6	
16	2A54	£0.80	COLLAR	6	
17	2A516E	£83.70	FLYWHEEL ASSEMBLY, recon./exchange (Refaced with new dowels & ring gear).	1	803cc
	AEA594E	£110.20	FLYWHEEL ASSEMBLY, recon./exchange (Refaced with new dowels & ring gear).	1	948cc
	12G1802E	£134.70	FLYWHEEL ASSEMBLY, recon./exchange (Refaced with new dowels & ring gear).	1	1098cc
18	2A381	NCA	RING GEAR	1	803cc
	AEA596	£23.20	RING GEAR	1	948cc
	12G290	£23.20	RING GEAR	1	1098cc
19	1G2984	£2.15	DOWEL, clutch cover	2	
20	2K7816	£1.74	LOCK TAB, flywheel bolts	2	
21	6K630	£2.50	BOLT, flywheel	4	803-948cc
	51K1029	£2.35	BOLT, flywheel	4	1098cc
22	1A1559	£2.38	SPIGOT BUSH, 5/8" OD	1	
23	12A1627	NCA	CON ROD, 1 & 3 cylinders	2	803-948cc
	12A1627R	£50.80	CON ROD, 1 & 3 cylinders	2	Recon/Exchange
	12A1626	NCA	CON ROD, 2 & 4 cylinders	2	803-948cc
	12A1626R	£50.80	CON ROD, 2 & 4 cylinders	2	Recon/Exchange
	12G126R	£51.00	CON ROD, 1 & 3 cylinders	2	1098cc Recon/Exchange
	12G123R	£50.40	CON ROD, 2 & 4 cylinders	2	1098cc Recon/Exchange
24	2A619	NCA	BOLT, con rod	8	803cc
	2A659	£9.00	BOLT, con rod	8	948-1098cc
	12G2217	£8.20	BOLT, con rod	8	1098cc Spridget engines with 10CC engine no.
Note: 12G2217 con rod bolts can be used in tuned, balanced 948cc & 1098cc engines but must be fitted in a set of 8 to maintain engine balance.					
25	2A660	£1.25	LOCK TAB, con rod bolt	4	
26	8G2203	£132.60	CON ROD BEARING SET, standard	1	
	8G220310	£132.60	CON ROD BEARING SET, +0.010"	1	
	8G220320	£132.60	CON ROD BEARING SET, +0.020"	1	803cc
	8G220330	NCA	CON ROD BEARING SET, +0.030"	1	
	8G220340	£132.60	CON ROD BEARING SET, +0.040"	1	
	8G220350	£132.60	CON ROD BEARING SET, +0.050"	1	
	8G220360	£132.60	CON ROD BEARING SET, +0.060"	1	
	8G2198	£20.00	CON ROD BEARING SET, standard	1	
	8G2198/10	£20.00	CON ROD BEARING SET, +0.010"	1	
	8G2198/20	£20.00	CON ROD BEARING SET, +0.020"	1	948-1098cc
	8G2198/30	£20.00	CON ROD BEARING SET, +0.030"	1	
	8G2198/40	£20.00	CON ROD BEARING SET, +0.040"	1	
	8G2198HD	£64.90	CON ROD BEARING SET, standard	1	948-1098cc
	8G2198/10HD	£64.90	CON ROD BEARING SET, +0.010"	1	Heavy Duty
	8G2198/20HD	£64.90	CON ROD BEARING SET, +0.020"	1	
	8G2198/30HD	£64.90	CON ROD BEARING SET, +0.030"	1	
	8G2198/40HD	£64.90	CON ROD BEARING SET, +0.040"	1	
27	51K1382	£2.80	BOLT, small end clamp	4	803-948cc
28	GHF322	£0.24	WASHER, spring	4	803-948cc
30	2A1011	NCA	PISTON SET, engine set c/w rings, std.	1	

Ill.	Part Number	Price Eea.	Description	Req.	Details
	2A1011/20	NCA	PISTON SET, engine set c/w rings, +0.020"	1	
	2A1011/30	NCA	PISTON SET, engine set c/w rings, +0.030"	1	803cc, 7.2:1 C.R.
	2A1011/40	NCA	PISTON SET, engine set c/w rings, +0.040"	1	
	2A1011/60	NCA	PISTON SET, engine set c/w rings, +0.060"	1	
	12A187	£216.00	PISTON SET, engine set c/w rings, std.	1	
	12A187/20	£216.00	PISTON SET, engine set c/w rings, +0.020"	1	
	12A187/30	£216.00	PISTON SET, engine set c/w rings, +0.030"	1	948cc, 8.3:1 C.R.
	12A187/40	£216.00	PISTON SET, engine set c/w rings, +0.040"	1	
	12A187/60	£216.00	PISTON SET, engine set c/w rings, +0.060"	1	
	8G2441	£176.60	PISTON SET, engine set c/w rings, std.	1	
	8G2441/20	£176.60	PISTON SET, engine set c/w rings, +0.020"	1	
	8G2441/30	£176.60	PISTON SET, engine set c/w rings, +0.030"	1	1098cc, 8.9:1 C.R.
	8G2441/40	£176.60	PISTON SET, engine set c/w rings, +0.040"	1	
	8G2441/60	£176.60	PISTON SET, engine set c/w rings, +0.060"	1	
31	BHM1161STD	NCA	PISTON RING SET, engine set, standard	1	
	BHM1161/20	£74.00	PISTON RING SET, engine set, +0.020"	1	
	BHM1161/30	£74.00	PISTON RING SET, engine set, +0.030"	1	948cc 4 & 5 ring
	BHM1161/40	£74.00	PISTON RING SET, engine set, +0.040"	1	
	BHM1161/60	£67.00	PISTON RING SET, engine set, +0.060"	1	
(These piston rings can be used for both 4 & 5 ring pistons. Discard one oil ring per piston for original Hepolite 4 ring pistons).					
	BHM1162	£74.00	PISTON RING SET, engine set, standard	1	
	BHM1162/20	£74.00	PISTON RING SET, engine set, +0.020"	1	
	BHM1162/30	£74.00	PISTON RING SET, engine set, +0.030"	1	1098cc 4 & 5 ring pistons
	BHM1162/40	£74.00	PISTON RING SET, engine set, +0.040"	1	
	BHM1162/60	£74.00	PISTON RING SET, engine set, +0.060"	1	
(These piston rings can be used for both 4 & 5 ring pistons. Discard one oil ring per piston for original Hepolite 4 ring pistons).					
32	2A784	£23.70	LINER, cylinder block, standard size	4	803-948cc
	2A518	NCA	LINER, cylinder block, standard size	4	1098cc
	40 BHM1211	£25.90	CAM BEARING SET	1	948-1098cc
41	2A297	NCA	CAMSHAFT	1	803-948cc
	AEA630	£151.60	CAMSHAFT	1	1098cc
Note: The original 803-948cc camshaft (part no: 2A297) is no longer available. Use the 1098cc camshaft (part no: AEA630).					
42	6K629	£5.40	NUT, cam gear	1	
43	2A759	£2.50	LOCKTAB, cam gear	1	
44	3H2127	£6.20	TIMING CHAIN, single row 'simplex'	1	
45	8G549	£2.57	TENSIONER RING	2	
46	12G4337	£23.80	CAM GEAR, single row 'simplex'	1	
47	AJJ3325	£30.60	TIMING CHAIN KIT, double row 'duplex'	1	conversion kit
	TMG10828	£120.00	TIMING CHAIN KIT, vernier, duplex	1	conversion kit
48	12G1397	£17.30	CAM GEAR, double row 'duplex'	1	
49	12G1699	£9.10	CRANK GEAR, double row 'duplex'	1	
50	2H4905UR	£38.00	TIMING CHAIN, double row 'duplex'	1	high quality
	2H4905	£7.20	TIMING CHAIN, double row 'duplex'	1	
	2H4905Z	£6.70	TIMING CHAIN, double row 'duplex'	1	aftermarket
51	AHU2379	£16.00	LOCATING PLATE, camshaft	1	
52	GHF117	£0.34	SCREW, camshaft plate to block	3	
53	GHF321	£0.24	WASHER, shake-proof	3	
54	WKN505	£1.60	KEY, cam gear	1	
55	2A299	NCA	PIN, oil pump drive	1	
56	GUG705560GM	£0.89	GASKET, oil pump to block	1	
57	GLP142	£21.30	OIL PUMP, pin drive	1	
58	12G926	£2.22	LOCKTAB, oil pump	1	
59	BH604141	£1.18	BOLT, oil pump	3	
60	12G4499	£50.80	SPINDLE, distributor drive	1	
61	13H2792	£1.30	'O' RING	1	for 12A1136
62	1G1300	NCA	HOUSING, distributor	1	
	2A612	NCA	HOUSING, distributor	1	from (e) 225190
	12A1136	NCA	HOUSING, distributor	1	alternative to 2A612 use with 13H2792
63	GHF117	£0.34	SCREW, housing to block	2	
64	GHF321	£0.24	WASHER, star	2	
65	2A14	£11.60	PUSH ROD	8	
66	2A13	£4.90	CAM FOLLOWER	8	
70	8G610	NCA	STRAINER BODY	1	
71	BH605161	£1.12	BOLT, strainer body	1	
72	SH604041	£0.44	SCREW, strainer to block	2	
73	GHF321	£0.24	WASHER, shake-proof	2	
74	1K1382	NCA	SPACER	1	
75	1G1989	NCA	COVER, strainer bottom	1	
76	GHF321	£0.24	WASHER, shake-proof	1	to (e) 320829
77	GHF201	£0.18	NUT	1	
78	2A41	NCA	PIPE, oil suction	1	
79	SH604051	£0.34	BOLT	2	
80	GHF321	£0.24	WASHER, shake-proof	2	
81	GHF200	£0.48	NUT	2	
86	2A957	NCA	PIPE, oil suction	1	803-948cc
	12A451	£16.80	PIPE, oil suction	1	1098cc
87	2A668	NCA	STRAINER, mesh	1	
88	SH604041	£0.44	SCREW	4	
89	GHF321	£0.24	WASHER, shake-proof	4	

Rear Crankshaft Oil Seal Conversion

This seal kit prevents the common problem of oil leaks from the rear of the crankshaft.

90	MGS108322	£117.40	OIL SEAL CONVERSION, lip type seal	1	948-1098cc
91	GFK1002	£38.60	LOCKTAB SET, ENGINE	1	803-1098cc



ill.	Part Number	Price Eea.	Description	Req.	Details
Cylinder Head					
1	12A1455LFE	£546.00	CYLINDER HEAD, recon./exchange (Lead-free reconditioned cylinder head assembly with valves, guides & springs. Casting number 12A1456).	1	803-948cc
	28G193LF	£489.00	CYLINDER HEAD, recon./exchange (Lead-free reconditioned cylinder head assembly with valves, guides & springs. Casting number 2A629).	1	948cc
	28G191LF	£557.00	CYLINDER HEAD, recon./exchange (Lead-free reconditioned cylinder head assembly with valves, guides & springs. Casting number 12G202).	1	1098cc

Please note: Exchange items are subject to a surcharge.

2	AJM101	£22.40	GASKET SET, 'De Coke', head set	1	803cc
	AJM102	£21.90	GASKET SET, 'De Coke', head set	1	948-1098cc
	AJM102Z	£9.50	GASKET SET, 'De Coke', head set, a/market	1	
3	12G2092	NCA	PLUG, water holes, jointing face of head	3	
4	AEA771	£6.50	PLUG, water holes, at either end of head	2	
5	12G3503	£2.42	PLUG, oil holes (Plug for oil holes at either end of head and hole on top of face of head).	5	
6	8G612	£8.30	OIL CAP, metal	1	803-948cc
	8G612CP	£9.70	OIL CAP, metal, chrome	1	alternative
7	12A402	£5.40	OIL CAP, plastic, non-vented	1	1098cc
	GFE6003	£5.20	OIL CAP, plastic, vented	1	alternative
8	2A257	NCA	ROCKER COVER, straight pipe	1	803-948cc
	12A1196	NCA	ROCKER COVER, no pipe	1	1098cc
9	CRCP350	£4.10	PLATE 'Patent'	1	
	CRST137	£2.05	DECAL 'Weslake Patent'	1	
10	CRCP364	£3.50	PLATE 'Morris'	1	
	CRST135	£1.98	DECAL 'Morris'	1	
11	AHA9999	£0.43	RIVET, blind, plate to rocker cover	4	
	GHF600	£0.17	RIVET, 'pop', plate to rocker cover	4	
12	2A150	£1.55	NUT, rocker cover	2	
	2A150CP	£3.70	NUT, chrome, rocker cover	2	
13	1B2925	£1.40	SPACER	2	
	CAM6921	£2.00	SPACER, chrome	2	
14	1A2156	£1.18	CUP WASHER	2	
	12G679	£1.45	CUP WASHER, chrome	2	
15	12A1358	£0.79	GROMMET, rocker cover	2	
16	GUG705009VC	£2.40	GASKET, rocker cover	1	
	296-006	£15.10	GASKET, rocker cover, silicone	1	standard cover
	296-007	£17.70	GASKET, rocker cover, silicone	1	alloy cover
17	12A1968	£6.00	LIFTING EYE (Fit lifting eyes for engine removal/replacement only).	2	
20	12A1950K	£150.00	ROCKER ASSEMBLY, recon./exchange (Reconditioned rocker shaft assembly built with new shaft, rocker arm bushes).	1	
21	12A1950	£13.80	ROCKER SHAFT, with end plugs	1	
	12A1950Z	NCA	ROCKER SHAFT, aftermarket	1	

Note: Original rocker shafts were located by the front pedestal. The front pedestal also acts as an oil feed pipe for the rocker shaft & rockers. Our rocker shafts are machined so they can be located by either the first or second pedestal. Ensure the pedestal selected for the front position has the small oil feed hole in the bottom face that feeds to the rocker shaft.

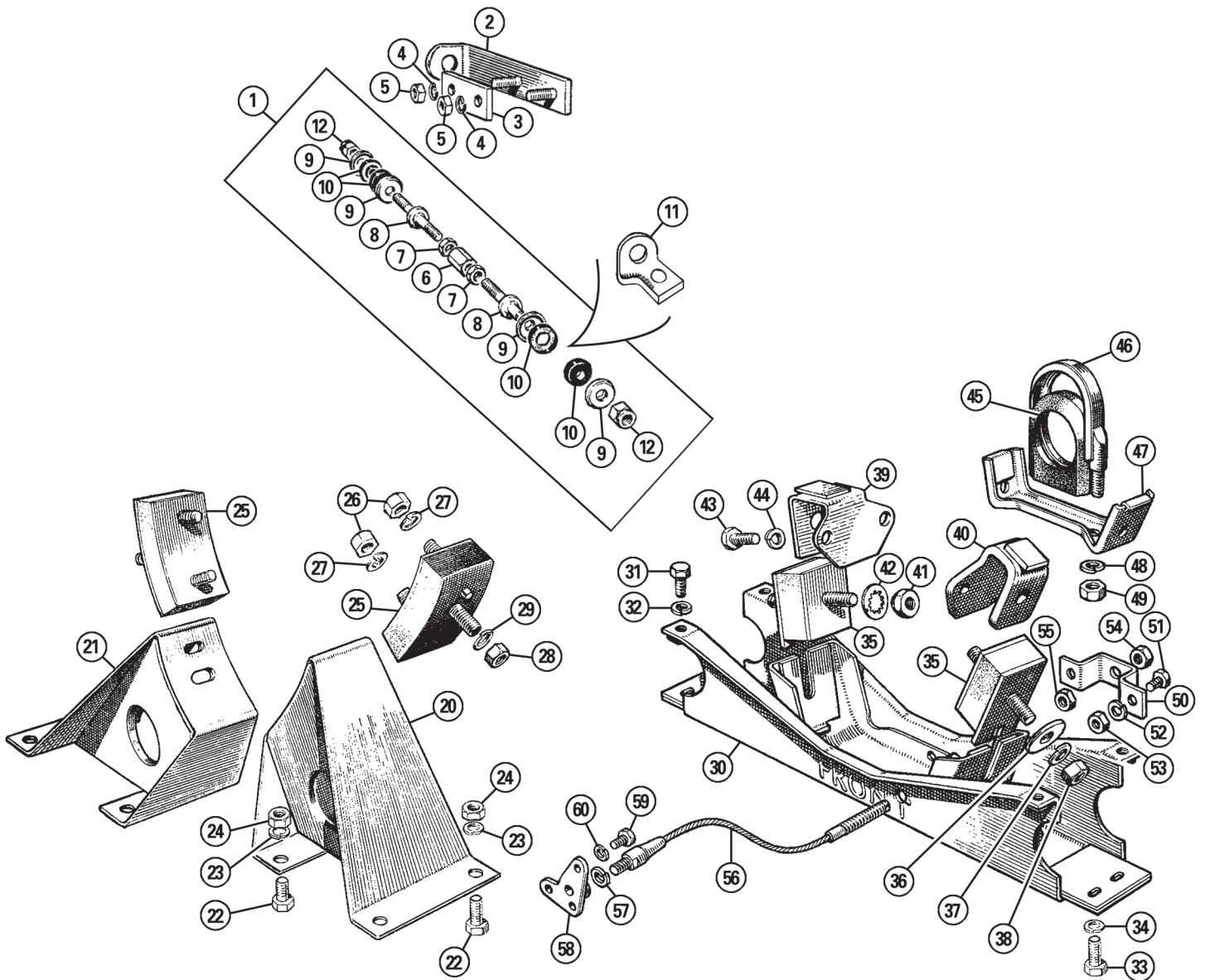
22	2K4608	NCA	PLUG, screwed	a/r	
23	6K878	NCA	PLUG, plain	a/r	
24	2A18	£0.60	WASHER, spring, double coil	2	
25	6K555	£1.39	WASHER, plain	2	
26	GHF502	£0.24	SPLIT PIN	2	
27	AEG169	NCA	WASHER, spacing tension springs	6	
28	2A258	£1.44	PEG, rocker shaft locating	1	
29	2A259	£4.40	PLATE, SCREW RETAINING	1	
30	12G1926	NCA	PEDESTAL, rocker shaft (Use in positions 1, 3 & 4).	3	with oil feed hole
31	12G1927	NCA	PEDESTAL, rocker shaft (With tapped hole for rocker shaft locating peg. Use in position 2).	1	without oil feed hole
32	6K556	NCA	SPRING, rocker spacing	3	
33	CAEG392	£14.60	SPACER SET, rocker	1	

Note: The friction and side loads on the rockers can be reduced and the location improved by using a steel spacer set instead of the rocker shaft springs.

35	2A553	NCA	ROCKER ARM, cast	8	cast type rocker arms
36	12A1215	£5.80	SCREW, rocker adjusting	8	
37	6K654	£1.61	NUT, locking	8	
38	2A21	£2.56	BUSH, rocker (Bush must be reamed & drilled).	8	
39	2A964	NCA	ROCKER ARM, pressed	8	pressed type rocker arms
40	12A1215	£5.80	SCREW, rocker adjusting	8	
41	6K654	£1.61	NUT, locking	8	

Note: Original rocker arms are no longer available, they were either cast (2A553), or pressed steel (2A964). They can be replaced by using forged rockers (12G1221) or sintered steel rockers (CAM289). It is advisable to replace them in matched sets due to the difference in weight compared with the existing rockers.

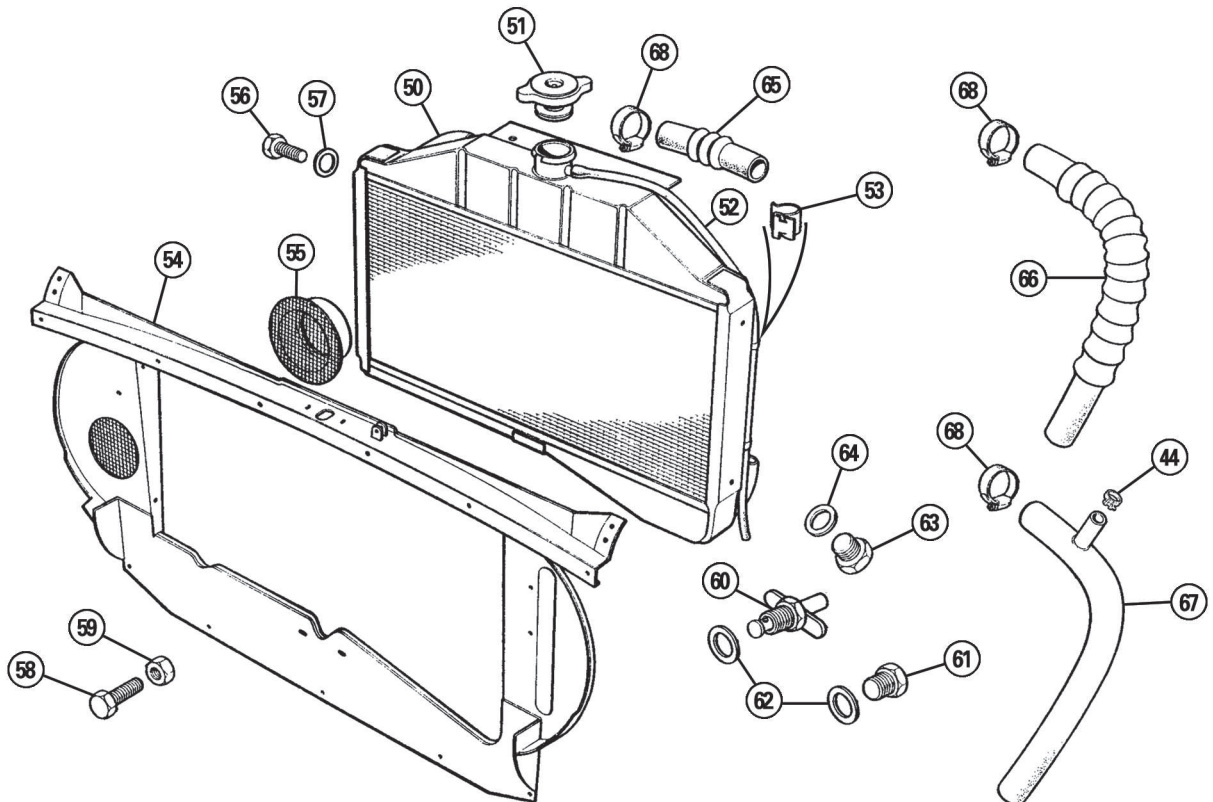
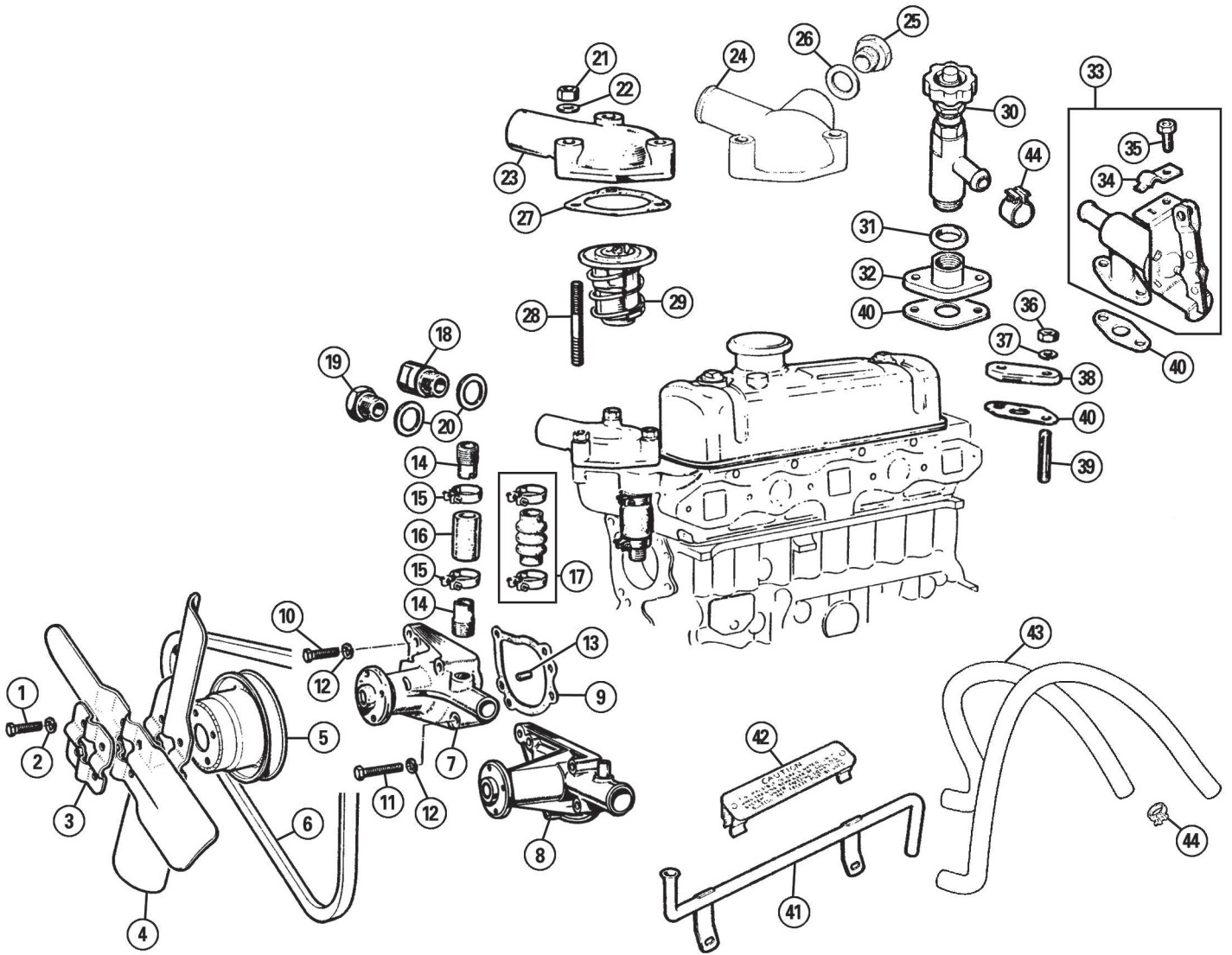
ill.	Part Number	Price Eea.	Description	Req.	Details
42	12G1221	£13.50	ROCKER ARM, forged, bushed (Must be reamed to suit rocker shaft).	8	forged type rocker arms
43	AEG167	NCA	SCREW, rocker adjusting	8	
44	NT605041	£0.40	NUT, locking	8	
45	2A21	£2.56	BUSH, rocker (Bush must be reamed & drilled).	8	
46	5C2436	NCA	RIVET, rocker arm	8	
47	CAM289	£11.40	ROCKER ARM, sintered	8	sintered type
48	12H3376	£1.79	SCREW, rocker adjusting	8	rocker arms
49	51K1178	£0.50	NUT, locking	8	
50	2A12	£0.77	CLIP, valve collet	8	
51	2A11	NCA	COLLET, split type	16	
52	88G616	£3.40	VALVE CAP, upper	8	
53	2A879	£0.59	SEAL, valve stem	8	
54	2A545	NCA	SHROUD, retainer	8	803-948cc
55	AEA311	£2.60	VALVE SPRING, outer (Use for single spring applications).	8	
56	AEA401	£2.05	VALVE SPRING, inner (Use for double spring applications).	8	
	AEA401K	£20.00	VALVE SPRING SET, double spring (Set includes 8 pairs of springs. Use double springs to reduce valve bounce at high engine speeds).	1	
57	AEA403	£2.05	COLLAR, valve spring, lower (Use for double spring applications).	8	
58	12A186	£2.32	VALVE GUIDE	8	
59	2A877	£10.40	VALVE, inlet, 1.094" head diameter	4	803-948cc
	AEA574	£7.70	VALVE, inlet, 1.156" head diameter	4	1098cc
	12G296	£6.00	VALVE, inlet, 1.215" head diameter	4	1098cc
	AEA434	£7.00	VALVE, exhaust, 1" head diameter	4	803-1098cc
60	2A639	NCA	VALVE SEAT, inlet, 27.8mm	4	948cc
	AEA762	£6.50	VALVE SEAT, inlet, 29.38mm	4	948cc
	159904	£7.00	VALVE SEAT, inlet, 31.9mm	4	1098cc
	12G721	NCA	VALVE SEAT, inlet, 31mm	4	1098cc
	2A640	NCA	VALVE SEAT, exhaust, standard	4	803-1098cc
	AEA763	£18.00	VALVE SEAT, exhaust, 1.5mm oversize	4	803-1098cc
61	2A14	£11.60	PUSHROD	8	
62	2A13	£4.90	TAPPET	8	
63	51K1473	£1.90	STUD, rocker pedestal, short	2	
64	51K885	£2.50	STUD, rocker pedestal, long	2	
65	GHF201	£0.18	NUT, rocker pedestal	4	
66	GHF332	£0.43	WASHER, spring	4	
67	GHF301	£0.10	WASHER	4	
70	GHF200	£0.48	NUT, plain	2	
71	GHF331	£0.42	WASHER, spring	2	
72	2A180	NCA	BLANKING PLATE, heater outlet	1	when heater not fitted
73	88G221	£0.74	GASKET	1	
74	53K402	£1.66	STUD, heater outlet	2	
75	11K2846	£4.70	ADAPTOR, temperature transmitter	a/r	if fitted
76	ADP210	£6.70	PLUG, blanking, cylinder head	1	
77	AED172	£1.30	WASHER, sealing, copper	1	alternatives
	1B3664	£0.55	WASHER, sealing, fibre	1	
80	GHF201	£0.18	NUT	3	
81	GHF332	£0.43	WASHER, spring	3	
82	GHF301	£0.10	WASHER, plain	3	
83	CHS2515	£1.51	STUD	3	water outlet elbow
84	AEA306	£25.60	HOUSING, thermostat	1	
85	12A408	NCA	HOUSING, thermostat	1	tapped for temp gauge
86	ADP210	£6.70	PLUG, blanking, thermostat housing	1	
87	AED172	£1.30	WASHER, sealing, copper	1	alternatives
	1B3664	£0.55	WASHER, sealing	1	
88	GTG101	£0.44	GASKET, thermostat housing, cork	a/r	standard material
	GTG101X	£1.66	GASKET, thermostat housing, Klingersil	a/r	uprated material
89	GTS102	£5.10	THERMOSTAT, 74°C	a/r	hot climate
	GTS104	£5.50	THERMOSTAT, 82°C	a/r	standard
	GTS106	£6.40	THERMOSTAT, 88°C	a/r	cold climate
90	12A2075	£6.70	ADAPTOR, bypass hose	1	
91	GGT1117X	NCA	CLIP, hose	2	
92	GZA2083	£1.56	HOSE, bypass	1	
	GZA2083X	£2.90	HOSE, bypass, silicone	1	
93	GZA2083Z	£5.70	HOSE REPAIR KIT, bypass hose	1	
94	AJM601	£2.50	GASKET, manifold	1	
95	FHS2513	£1.18	STUD, manifold	6	
96	GHF261	£0.55	NUT, brass (Use 2 for outer studs if long inner studs used).	6/2	
	GHF261A	£2.60	NUT, brass, double length (Easy fitting on centre 4 studs).	4	
97	CAM151	£4.90	STUD, cylinder head, short	5	
98	CAM150	£7.10	STUD, cylinder head, long	4	
99	51K1193	£1.52	NUT, cylinder head, standard	9	
100	12H2178	£0.53	WASHER, plain	9	
101	51K1193B	£2.30	NUT, cylinder head, flanged/uprated	9	
102	ACH8516	NCA	NUT, adaptor for air cleaner	2	
103	GHF301	£0.10	WASHER, spacing, air cleaner adaptor	a/r	
104	GUG197HG	£13.50	GASKET, cylinder head	1	
	MST207	£11.70	GASKET, cylinder head, copper	1	alternative
105	BP6ES	£3.50	SPARK PLUG	4	



ill. Part Number Price Eea. Description Req. Details

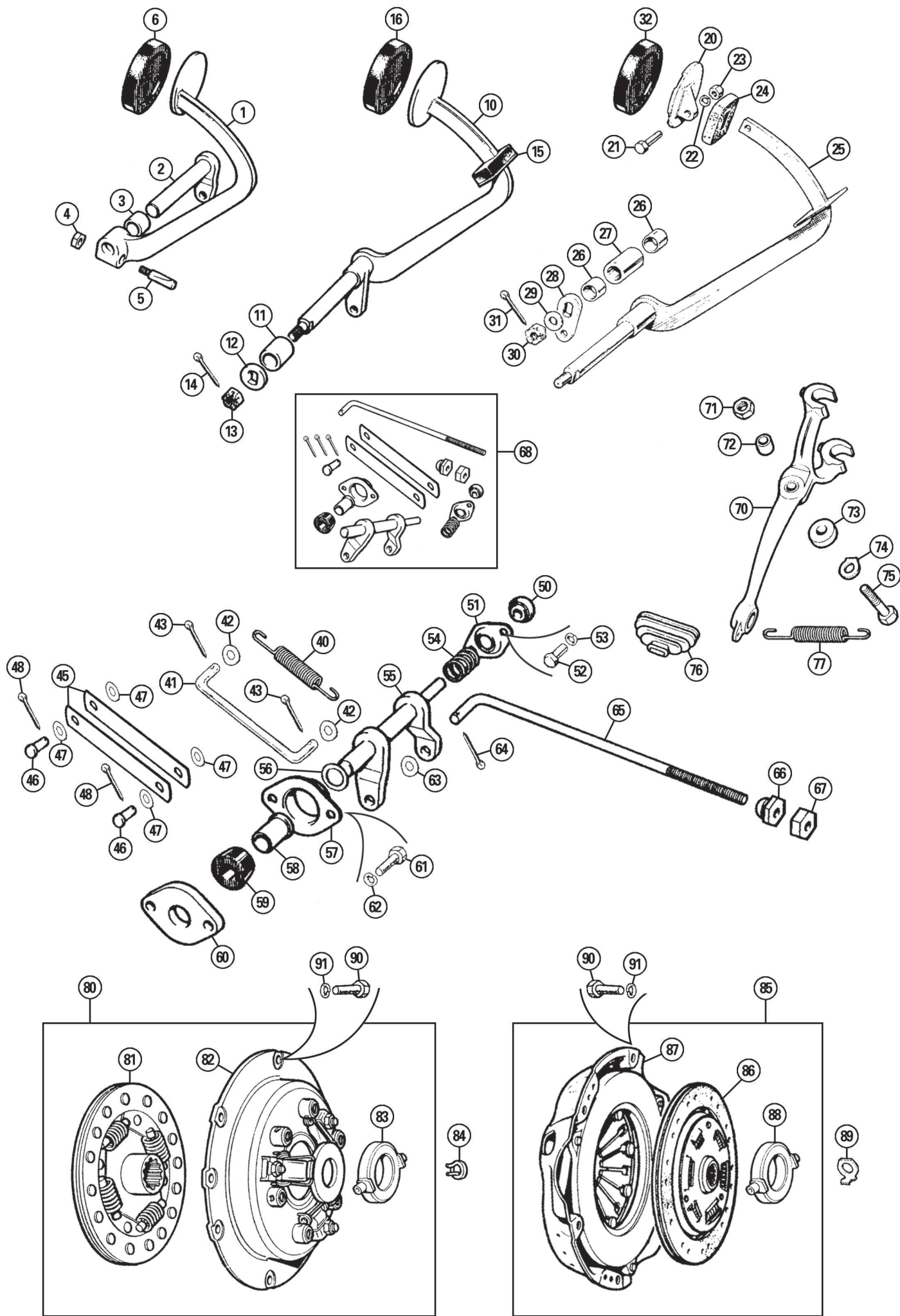
Engine Mountings

ill.	Part Number	Price Eea.	Description	Req.	Details
1	18G8974	£33.00	TIE ROD KIT (Includes items: 6, 7, 8, 9, 10 & 12).	1	
2	ACA5143	£4.80	BRACKET, tie rod to body	1	
3	ACA5142	NCA	PLATE, reinforcing	1	
4	GHF332	£0.43	WASHER, spring	2	
5	GHF201	£0.18	NUT	2	
6	ACA5141	£10.10	NUT, adjusting	1	
7	NT605041	£0.40	NUT, locking	2	
8	ACA5140	NCA	TIE ROD	2	
9	ACA5379	£2.15	CUP WASHER, bushes	4	
10	AAA1316	£1.55	BUSH, rubber	4	
11	ACA5144	NCA	BRACKET, tie rod to engine	1	
12	GHF222	£0.60	NUT, tie rod to brackets	2	
20	AAA3770	NCA	BRACKET, LH, front engine mounting	1	
21	AAA3769	NCA	BRACKET, RH, front engine mounting	1	
22	GHF103	£0.65	SCREW, bracket to chassis, 1" long	8	
23	GHF332	£0.43	WASHER, spring	8	
24	GHF201	£0.18	NUT	8	
25	AHA5484Z	£5.20	MOUNTING, rubber, engine	2	
26	GHF201	£0.18	NUT, mounting to front plate	4	
27	GHF332	£0.43	WASHER, spring	4	
28	GHF202	£0.36	NUT, mounting to bracket	2	
29	GHF333	£0.34	WASHER, spring	2	
30	AAA4849	£19.90	CROSSMEMBER, gearbox support	1	
31	AJD6255Z	£1.40	BOLT, crossmember to floor	4	
32	GHF332	£0.43	WASHER, spring	4	
33	AJD6255Z	£1.40	BOLT, cross member to chassis	4	
34	GHF332	£0.43	WASHER, spring	4	
35	AAA3768	£5.10	MOUNTING, rubber, gearbox	2	
36	PWZ206	£0.71	WASHER, plain	2	
37	GHF333	£0.34	WASHER, spring	2	
38	GHF202	£0.36	NUT, mounting to crossmember	2	
39	ACA5370	NCA	BRACKET, RH, mounting packing	1	
40	ACA5371	NCA	BRACKET, LH, mounting packing	1	
41	ACA5372	£2.21	NUT, special	2	
42	LWZ410	£0.70	WASHER, shake-proof	2	
43	SH505061	£1.03	SCREW, bracket to gearbox	4	
44	GHF332	£0.43	WASHER, spring	4	
45	184180	£30.00	MOUNTING, rubber, gearbox tail	1	
46	184177	NCA	RETAINER	1	
47	184176	NCA	BRACKET	1	803cc to
48	GHF332	£0.43	WASHER, spring	2	(g) J101
49	GHF201	£0.18	NUT	2	
50	ACA5107	NCA	BRACKET, cable to crossmember	1	
51	PMZ308	£0.36	SCREW, bracket to rear crossmember	2	
52	WL700101	£0.28	WASHER, spring	2	
53	FNZ103	£0.34	NUT	2	
54	GHF201	£0.18	NUT, cable to bracket	1	
55	NT605041	£0.40	NUT, locking	1	from (c) 264013
56	ACA5106	£4.80	CABLE, engine steady	1	
57	GHF332	£0.43	WASHER, spring	1	
58	ACA5108	NCA	BRACKET, cable to gearbox	1	
59	GHF101	£0.34	SCREW, bracket to gearbox	3	
60	GHF331	£0.42	WASHER, spring	3	



ill.	Part Number	Price Eea.	Description	Req.	Details
Cooling System					
1	GHF117	£0.34	SCREW, fan to pump pulley	4	
2	GHF331	£0.42	WASHER, spring	4	
3	2A803	£7.20	STIFFENER PLATE, fan blade	1	
4	AEA301	£23.20	FAN BLADE (Use 2 blades if greater cooling is required).	1/2	
5	CAM6239	NCA	PULLEY	1	
	CAM6239A	£76.70	PULLY, aluminium	1	
6	GCB10825	£13.40	FAN BELT, 825mm	1	Late 803-948cc with dynamo
	GCB10813	£7.20	FAN BELT, 813mm	1	1098cc with dynamo
	GCB10925	£9.30	FAN BELT, 925mm	1	1098cc with alternator
7	GWP132	£24.60	WATER PUMP, cast iron body	1	
8	GWP134	£25.30	WATER PUMP, uprated flow, alloy body	1	
9	88G215	£0.68	GASKET, water pump	1	
10	SH605101	£1.12	SCREW, short, water pump to block	2	
11	BH605151	£1.18	BOLT, long, water pump to block	2	
12	GHF332	£0.43	WASHER, spring	4	
13	12A1344	£0.89	DOWEL, pump to block	2	use with cast iron water pump
	12G2077	NCA	DOWEL, pump to block	2	use with alloy pump
14	12A2075	£6.70	ADAPTOR, bypass hose	a/r	
15	GGT1117X	NCA	CLIP, hose	2	
16	GZA2083	£1.56	HOSE, bypass	1	
	GZA2083X	£2.90	HOSE, bypass, silicone	1	
17	GZA2083Z	£5.70	HOSE REPAIR KIT, bypass hose (Can be fitted without removing water pump or cylinder head Ideal for emergency repairs).	1	
18	11K2846	£4.70	ADAPTOR, temperature transmitter	a/r	
19	ADP210	£6.70	PLUG, blanking, cylinder head	1	
20	AED172	£1.30	WASHER, sealing, copper	1	alternatives
	1B3664	£0.55	WASHER, sealing, fibre	1	
21	GHF201	£0.18	NUT	3	
22	GHF332	£0.43	WASHER, spring	3	
23	AEA306	£25.60	HOUSING, thermostat	1	
24	12A408	NCA	HOUSING, thermostat	1	tapped for temp gauge
25	ADP210	£6.70	PLUG, blanking, thermostat housing	1	
26	1B3664	£0.55	WASHER, sealing	1	
27	GTG101	£0.44	GASKET, thermostat, cork	1	
	GTG101X	£1.66	GASKET, thermostat, Klingersil	1	uprated material
28	CHS2515	£1.51	STUD, thermostat housing	3	
29	GTS102	£5.10	THERMOSTAT, 74°C, hot climate	a/r	
	GTS104	£5.50	THERMOSTAT, 82°C, standard	a/r	
	GTS106	£6.40	THERMOSTAT, 88°C, cold climate	a/r	
30	88G588	£16.30	HEATER TAP	1	to (c) 1039563
31	AAA836	£0.96	WASHER, sealing	1	approx.
32	ACA5456	£5.30	ADAPTOR, heater valve to head	1	
33	JJC10018	£28.90	HEATER VALVE, cable operated type	1	
34	27H1193	£1.99	CLAMP, cable	1	(c) 1039564 on
35	53K126	£0.64	SCREW, clamp	1	approx.
36	GHF200	£0.48	NUT, plain	2	
37	GHF331	£0.42	WASHER, spring	2	
38	2A180	NCA	BLANKING PLATE, heater outlet	1	when heater not fitted
39	53K402	£1.66	STUD, heater tap	2	
40	88G221	£0.74	GASKET	1	
41	ACA5514	NCA	PIPE, heater return	1	
42	CRCP303	£4.20	PLATE, 'Caution', heater pipe	1	
43	14A9973	NCA	HOSE, heater inlet from tap	1	
	ACA8176	NCA	HOSE, outlet to return pipe (Original hoses are not currently available. Use GRH1006M x 2).	1	
	GRH1006M	£9.40	HOSE, universal, heater	a/r	sold per metre
44	GHC11022	£3.30	HOSE CLIP, band type, stainless	5	alternatives
	CS4013	£1.42	HOSE CLIP, wire type	5	
50	ARA97	£79.80	RADIATOR, large tank (ARA97 is not currently available. We suggest using the late type radiator ARA213).	1	early
	ARA97E	NCA	RADIATOR, recon./exchange	1	
	ARA213	£161.20	RADIATOR, small tank, new (Supplied without drain tap).	1	late
	ARA213E	£139.80	RADIATOR, recon./exchange	1	
51	GRC103	£3.50	RADIATOR CAP, 4 psi	1	
	GRC103SS	£6.20	RADIATOR CAP, 4 psi, stainless steel	1	
	GRC101	£3.50	RADIATOR CAP, 7 psi	1	
	GRC101SS	£6.00	RADIATOR CAP, 7 psi, stainless steel	1	
52	GRH1001M	£2.38	HOSE, overflow, green PVC	1	sold per metre
	GRH1005	£3.50	HOSE, overflow, black rubber, 13"	1	
	GRH1005M	£9.30	HOSE, overflow, black rubber	1	sold per metre
53	ARA951	£0.62	CLIP, overflow to radiator	a/r	
54	ADA1616	NCA	COWL, radiator	1	approx. to (c) 1039563

ill.	Part Number	Price Eea.	Description	Req.	Details
	ARA189	NCA	COWL, radiator	1	approx. (c) 1039564 on
55	ARA1937	NCA	GRILLE, air inlet	1	
56	AJD6254Z	£1.68	BOLT, radiator to cowl	4	
57	GHF332	£0.43	WASHER, spring	4	
58	AJD1032	£1.99	BOLT, cowl to front panel	3	to (c) 291140
	AJD6155Z	£0.95	BOLT, cowl to front panel	8	(c) 291140 up
59	AJD8012Z	£0.34	NUT	3	for AJD1032
	AJD8104	£0.56	NUT	8	for AJD6155Z
60	ARH515	NCA	TAP, radiator drain	1	early type
	88G291	£7.10	TAP, radiator drain	1	late type
61	ARA1618	£4.40	PLUG, radiator drain	1	alternate to 88G291
62	ARH517	£0.34	WASHER, sealing	1	
63	ARA615	NCA	PLUG	1	when heater not fitted
64	ARA616	NCA	WASHER, sealing	1	for ARA615
65	GRH246	£11.00	HOSE, top	1	
66	ACA8237	£17.30	HOSE, bottom, without heater return	1	
67	GRH241	£14.50	HOSE, bottom, with heater return	1	
68	GHC11035	£3.20	HOSE CLIP, band type, stainless	2	alternatives
	CS4020	£2.00	HOSE CLIP, wire type	2	



ill.	Part Number	Price	£ea.	Description	Req.	Details
Clutch Pedals, Linkages & Mechanism						
Clutch Pedals & Linkages						
Clutch Pedal: RHD (to (c) 433612)						
1	AAA1493			NCA CLUTCH PEDAL	1	
2	ACA5006			NCA SHAFT, with lever	1	
3	AAA1423	£2.15		BUSH	2	
4	AJD8104	£0.56		NUT, 1/4" BSF	1	
5	AAA1492			NCA COTTER	1	
6	ACA5359	£2.42		PEDAL RUBBER	1	
Clutch Pedal: RHD (from (c) 433613)						
10	ACA5222			NCA CLUTCH PEDAL	1	
11	AAA1939	£5.80		SPACER	1	
12	ACA5228			NCA WASHER, locating	1	
13	AJD8406Z	£1.55		NUT	1	
14	GHF502	£0.24		SPLIT PIN	1	
15	AAA1938	£2.70		PAD, pedal sealing	1	
16	ACA5359	£2.42		PEDAL RUBBER	1	
Clutch Pedal: LHD						
20	AAA1736			NCA PEDAL PAD, metal	1	
21	320-370	£2.80		SCREW, 5/16" BSF	1	
	GHF103	£0.65		SCREW, 5/16" UNF	1	alternative
22	GHF332	£0.43		WASHER, spring	1	
23	AJD8105Z	£0.34		NUT, 5/16" BSF	1	
	GHF201	£0.18		NUT, 5/16" UNF	1	alternative
24	AAA1938	£2.70		PAD, pedal sealing	1	
25	AAA3752			NCA CLUTCH PEDAL	1	
26	AAA1423	£2.15		BUSH	1/2	
27	AAA1939	£5.80		SPACER	1	from (c) 434584
28	ACA5003			NCA CLUTCH LEVER	1	to (c) 578026
	ACA5442			NCA CLUTCH LEVER	1	from (c) 578027
29	GHF302	£0.36		WASHER	1	
30	AJD8406Z	£1.55		NUT	1	
31	GHF502	£0.24		SPLIT PIN	1	
32	ACA5359	£2.42		PEDAL RUBBER	1	
Clutch Linkage						
40	1G5999	£2.70		SPRING, pedal return	1	to (c) 990289
	AAA531	£2.42		SPRING, pedal return	1	from (c) 990290
41	ACA5002	£4.20		ROD, 1/4" dia, pedal to relay	1	803-948cc
42	AWZ104	£0.44		WASHER	2	to (c) 990289
43	GHF502	£0.24		SPLIT PIN	2	use with 1/4" rods
45	ACA5437	£2.60		PLATE, pedal to relay	2	1098cc
46	CLZ515	£1.52		CLEVIS PIN, 5/16"	2	from (c) 990290
47	GHF301	£0.10		WASHER, plain	4	use with 5/16" rods
48	GHF502	£0.24		SPLIT PIN	2	
50	ACA5121	£3.10		BEARING, spherical, relay shaft	1	
51	2A5025	£2.50		RETAINER, bearing	1	
52	SH604041	£0.44		BOLT, 1/4 UNF	2	
53	GHF331	£0.42		WASHER, spring	4	
54	AAA3751	£1.79		SPRING, relay shaft	1	
55	ACA5007			NCA RELAY SHAFT, with levers	1	1/4" holes
	ACA5440			NCA RELAY SHAFT, with levers	1	1/4" holes
	ACA8149	£14.50		RELAY SHAFT, with levers	1	5/16" holes
56	ARH517	£0.34		WASHER, fibre	1	
57	AAA3748	£3.90		BRACKET	1	
58	AAA3750	£3.30		BUSH, relay shaft	1	
59	AAA1626			NCA BUSH, relay shaft, rubber	1	
	AAA1626SP	£9.00		BUSH, relay shaft, polyurethane	1	uprated alternative
60	AAA3749			NCA PACKING, bracket	1	RHD
61	GHF117	£0.34		BOLT, 1/4" UNF	2	
62	GHF331	£0.42		WASHER, spring	4	
63	GHF301	£0.10		WASHER, plain	1	
64	GHF502	£0.24		SPLIT PIN	1	
65	184125			NCA ROD, relay shaft to clutch fork, 1/4"	1	to (c) 198689
	ACA5004	£4.20		ROD, relay shaft to clutch fork, 1/4"	1	from (c) 198690
	ACA8158	£4.60		ROD, relay shaft to clutch fork, 5/16"	1	from (c) 990290
66	2A5022			NCA NUT, rod end, 1/4" UNF	1	to (c) 198689
	ACA5009	£4.40		NUT, rod end, 5/16" UNF	1	from (c) 198690
67	JN2107	£0.46		NUT, locking, 1/4" UNF	1	to (c) 198689
	NT605041	£0.40		NUT, locking, 5/16" UNF	1	from (c) 198690
68	ACA8149K	£32.70		LINKAGE KIT, clutch mechanism, 5/16"	1	(Inc items: 45, 46, 48, 50, 51, 54, 55, 56, 57, 58, 59, 64, 65, 66, 67).

Note: The original clutch linkage used 1/4" rods which were found to be too weak. With the introduction of 1098cc models the linkage mechanism was upgraded to use plates between the pedal & relay shaft and a 5/16" rod from the relay shaft to the clutch fork. Only the late 5/16" type linkage is available. It can be retro-fitted to early cars but the clutch pedal hole needs to be drilled out.

ill.	Part Number	Price	£ea.	Description	Req.	Details
	22A22			NCA CLUTCH FORK	1	from (e) 9M/U/101
						H543009
	22G166			NCA CLUTCH FORK	1	1098cc
71	GHF201	£0.18		NUT	1	
72	2A3006	£2.50		BUSH, clutch fork	1	
73	22G135			NCA SPACER, clutch fork	1	1098cc LHD
74	2K5813			NCA LOCKTAB	1	
75	2A3289	£5.60		BOLT, fork pivot	1	803-948cc
						& 1098cc RHD
	22G136			NCA BOLT, fork pivot	1	1098cc LHD
76	22H1337	£2.52		GAITER, clutch fork	1	
77	AAA1628	£1.52		SPRING, clutch fork	1	
Clutch Friction						
80	GCK254AF			NCA CLUTCH KIT	1	803-948cc
	GCK254BB	£148.40		CLUTCH KIT, B&B aftermarket	1	
	GCK254Z	£144.40		CLUTCH KIT, aftermarket	1	
81	GCP102	£55.80		CLUTCH PLATE	1	
82	GCC132			NCA CLUTCH COVER ASSEMBLY	1	
83	GRB101	£21.60		RELEASE BEARING	1	
84	7H3048	£2.50		CLIP, release bearing	2	
85	GCK260			NCA CLUTCH KIT	1	1098cc
	GCK260BB	£137.00		CLUTCH KIT, B&B aftermarket	1	
	GCK260Z	£73.80		CLUTCH KIT, aftermarket	1	
86	GCP103AF	£51.50		CLUTCH PLATE	1	
87	GCC114			NCA CLUTCH COVER ASSEMBLY	1	
	GCC114BB	£157.40		CLUTCH COVER, B&B, aftermarket	1	
88	GRB102	£20.10		RELEASE BEARING	1	
89	13H783	£3.00		CLIP, release bearing	2	
90	SH605061	£0.24		SCREW, clutch cover to flywheel	6	
91	GHF332	£0.43		WASHER, spring	6	

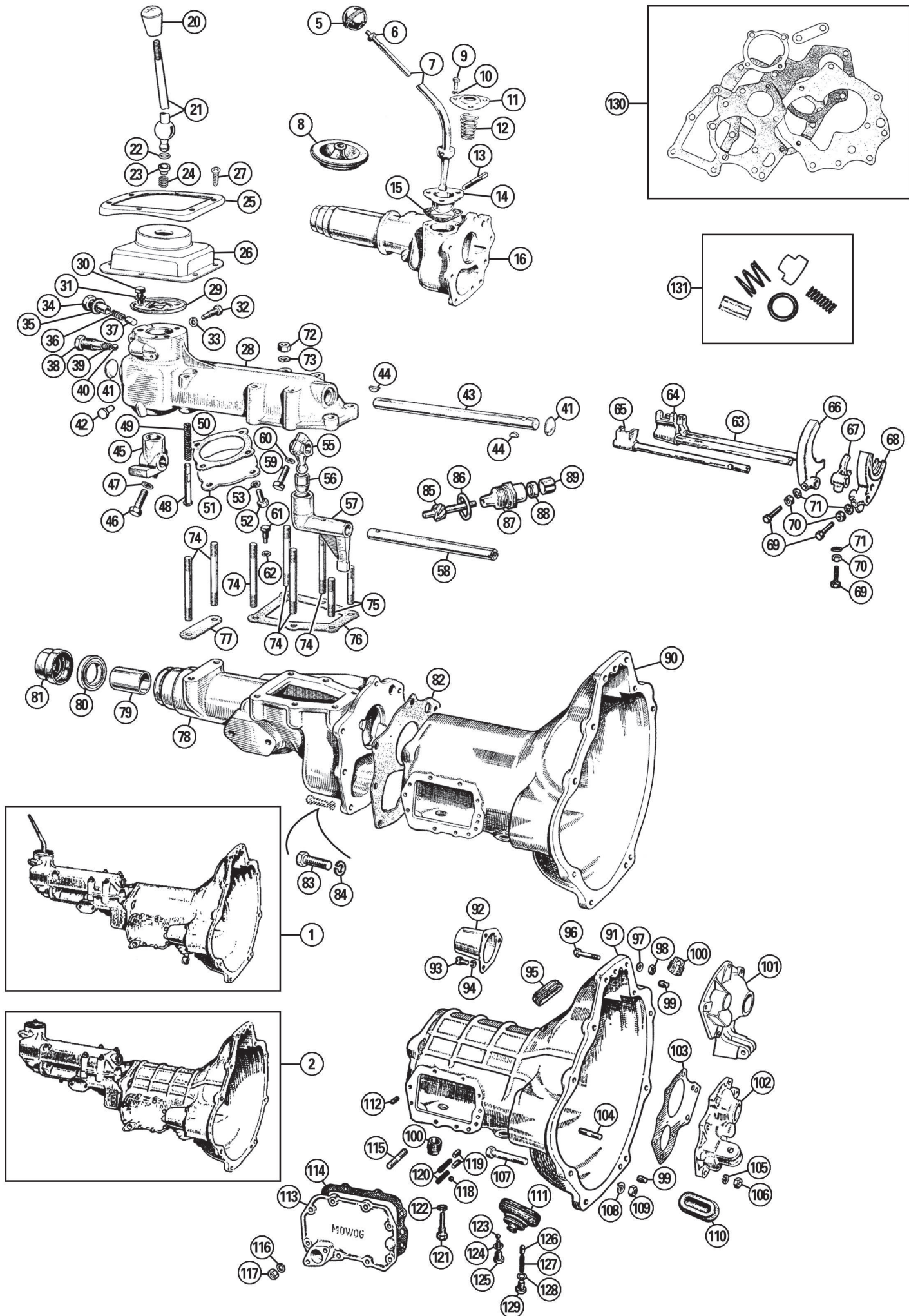


Clutch Alignment Tool

This accurate replica of the input shaft features a finger loop to allow easy removal once the clutch has been correctly installed.

GAC5053A	£6.60	CLUTCH ALIGNMENT TOOL	1
----------	-------	-----------------------	---

70	2A3089			NCA CLUTCH FORK	1	to (e) 9M/U/101
						H543008



iii. Part Number Price £ea. Description Req. Details

Gearbox

External Gearbox

Reconditioned Exchange Gearboxes

1	28G162R	£565.90	GEARBOX ASSEMBLY, recon./exchange 1 ('Smooth case', LHD).	} 948cc
	28G163R	£565.90	GEARBOX ASSEMBLY, recon./exchange 1 ('Smooth case', RHD).	
2	38G483R	£565.90	GEARBOX ASSEMBLY, recon./exchange 1 ('Ribbed case', LHD).	} 1098cc
	38G482R	£541.70	GEARBOX ASSEMBLY, recon./exchange 1 ('Ribbed case', RHD).	

Rear Extension & Gear Lever: 803cc

5	ACA5205	NCA	GEAR KNOB	1	
6	FNP205	£1.61	NUT	1	
7	2A3399	NCA	GEAR LEVER	1	to (c) 557450
8	ACA5208	£4.20	GAITER, rubber, gear lever	1	to (c) 448800
9	GHF117	£0.34	BOLT	3	
10	GHF331	£0.42	WASHER, spring	3	
11	2A3309	NCA	RETAINER, gear lever	1	
12	2A3067	NCA	SPRING	1	
13	2A3311	NCA	PEG	1	
14	2A3308	NCA	SEAT, gear lever	1	
15	2A3310	NCA	GASKET, seat to rear extension	1	
16	2A3326	NCA	REAR EXTENSION	1	

Rear Extension & Remote Gear Lever: 948-1098cc

20	22G110	£10.80	GEAR KNOB	1	948cc
	22G1860	NCA	GEAR KNOB	1	1098cc
21	2A3417	NCA	GEAR LEVER	1	948cc
	22A492	NCA	GEAR LEVER	1	1098cc
22	TRS710	£1.66	'O' RING, gear lever	1	
23	2A3467	NCA	BUSH, gear lever	1	
24	2A3390	£2.60	SPRING, gear lever	1	
25	ALA1888	NCA	PLATE, gaiter retaining	1	
26	ACA8147	£7.70	GAITER, rubber, gear lever	1	
27	GHF424	£0.24	SCREW	6	
28	2A3411	NCA	HOUSING, remote selector	1	original type
	22A480SR	£64.20	HOUSING, remote selector (Supplied without gear lever or provision for reverse light switch).	1	} second hand replacement unit
	22G671SR	£64.20	HOUSING, remote selector (Supplied without gear lever, with provision for reverse light switch).	1	
	13H4216Z	£22.80	SWITCH, reverse lights	a/r	
29	2A3339	£12.40	PLATE, retaining	1	
30	SH604051	£0.34	SCREW, cover to remote housing	3	
31	GHF331	£0.42	WASHER, spring	3	
32	1H3101	NCA	PIN, gear lever locating	1	
33	GHF331	£0.42	WASHER, spring	1	
34	22A85	NCA	CAP, spring retainer	1	
35	AEG3122	£1.30	WASHER, sealing	1	
36	AEG3123	£1.93	SPRING	1	
37	22A84	£2.30	PLUNGER, anti-rattle	1	
38	2A3379	NCA	PLUG, reverse detent	1	
39	22A75	£1.80	SPRING, reverse detent	1	
40	BLS110	£0.44	BALL, reverse detent	1	
41	ACA4010	NCA	CORE PLUG	2	
42	2A3378	NCA	LOCATING PIN, reverse	1	
43	2A3375	NCA	SHAFT, remote	1	
44	WKN404	£1.12	KEY	2	
45	2A3388	NCA	LEVER, selector, rear	1	
46	2A3335	£0.50	BOLT	1	
47	GHF331	£0.42	WASHER, spring	1	
48	1G3707	NCA	PLUNGER, reverse	1	
49	1G3863	NCA	SPRING	1	
50	2A3341	£1.49	GASKET	1	
51	2A3340	NCA	COVER	1	
52	SH604041	£0.44	SCREW, lower cover to remote housing	4	
53	GHF331	£0.42	WASHER, spring	4	
55	2A3385	NCA	SELECTOR LEVER, front	1	
56	2A3468	£3.00	SELECTOR BUSH	1	
57	2A3384	NCA	CONTROL LEVER	1	
58	2A3350	NCA	CONTROL SHAFT	1	
59	GHF101	£0.34	SCREW	1	
60	GHF331	£0.42	WASHER, spring	1	
61	1H3101	NCA	LOCATING PIN	1	
62	GHF331	£0.42	WASHER, spring	1	
63	22A198	NCA	SELECTOR ROD, reverse	1	803-948cc
	22A468	NCA	SELECTOR ROD, reverse	1	1098cc
64	2A3347	NCA	SELECTOR ROD, 3rd and 4th	1	803-948cc
	22A472	NCA	SELECTOR ROD, 3rd and 4th	1	1098cc
65	2A3305	NCA	SELECTOR ROD, 1st and 2nd	1	803-948cc

iii. Part Number Price £ea. Description Req. Details

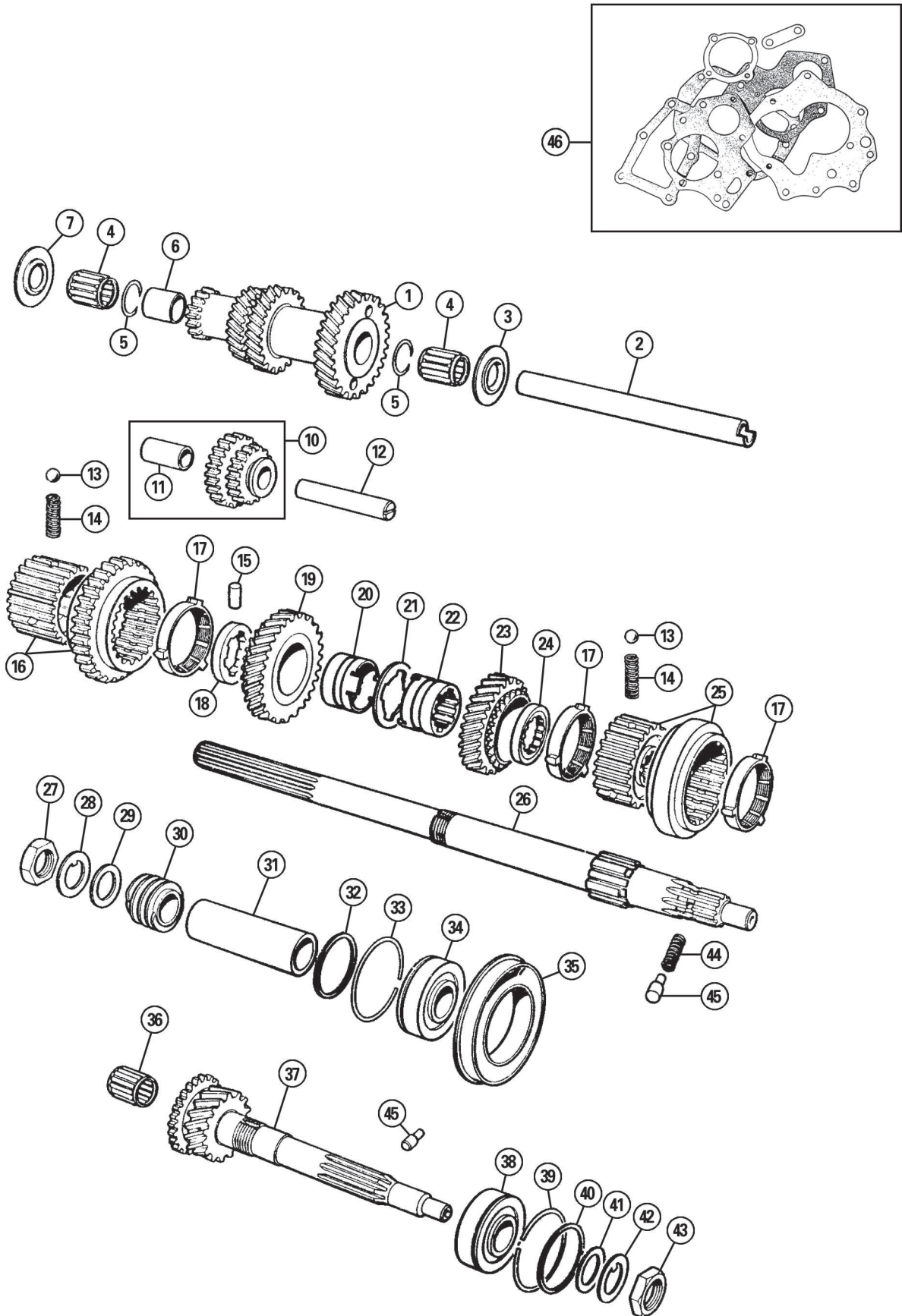
	22A470	NCA	SELECTOR ROD, 1st and 2nd	1	1098cc
66	2A3019	NCA	SELECTOR FORK, 1st and 2nd	1	803-948cc
	22A469	£36.00	SELECTOR FORK, 1st and 2nd	1	1098cc
67	2A3284	£27.50	SELECTOR FORK, reverse	1	803-1098cc
68	2A3021	NCA	SELECTOR FORK, 3rd and 4th	1	803-948cc
	22A471	NCA	SELECTOR FORK, 3rd and 4th	1	1098cc
69	2A3492	£3.20	SCREW, locating fork on rod	3	
70	JN2107	£0.46	NUT, locking	3	
71	GHF321	£0.24	WASHER, shake-proof	3	
72	GHF201	£0.18	NUT	6	
73	GHF332	£0.43	WASHER, spring	6	
74	53K535	£2.21	STUD, long	6	
75	53K528	£3.00	STUD, short	2	
76	2A3343	NCA	GASKET, front	1	
77	2A3345	£0.73	GASKET, rear	1	
78	2A3367	NCA	REAR EXTENSION, gearbox	1	
79	2A3325	£8.20	BUSH, rear extension	1	
80	3H2110	NCA	WASHER, joint	1	
81	2A3061	£6.30	OIL SEAL, rear	1	
82	22A481	£1.39	GASKET, rear extension to gear case	1	
83	SH604071	£0.77	SCREW, rear extension to gear case	9	
84	GHF331	£0.42	WASHER, spring	9	
85	2A3420	£87.20	PINION, speedometer drive	1	
86	88G208	£4.50	GASKET, pinion housing	1	
87	22A71	NCA	HOUSING ASSEMBLY, pinion	1	
88	NKC105A	£3.90	OIL SEAL	1	
89	2A3255	NCA	RETAINER, oil seal	1	

Gear Case

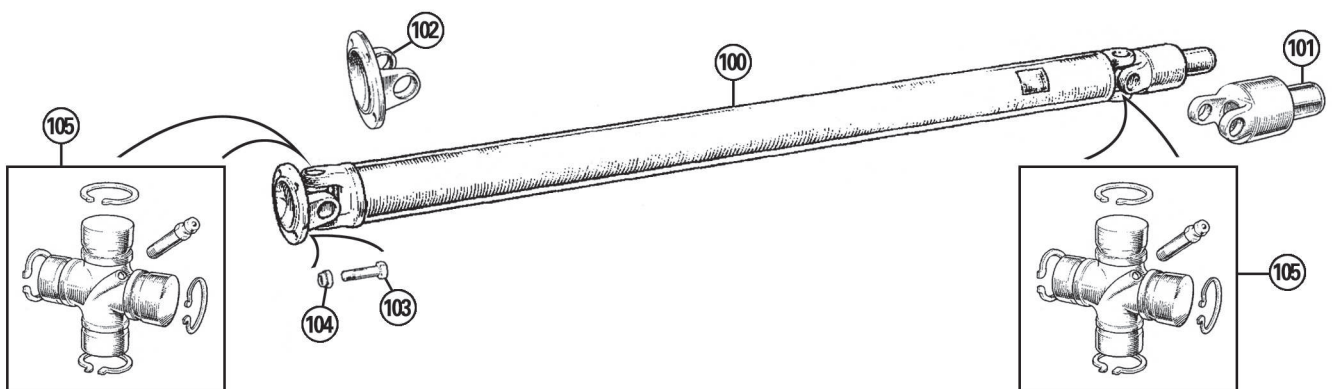
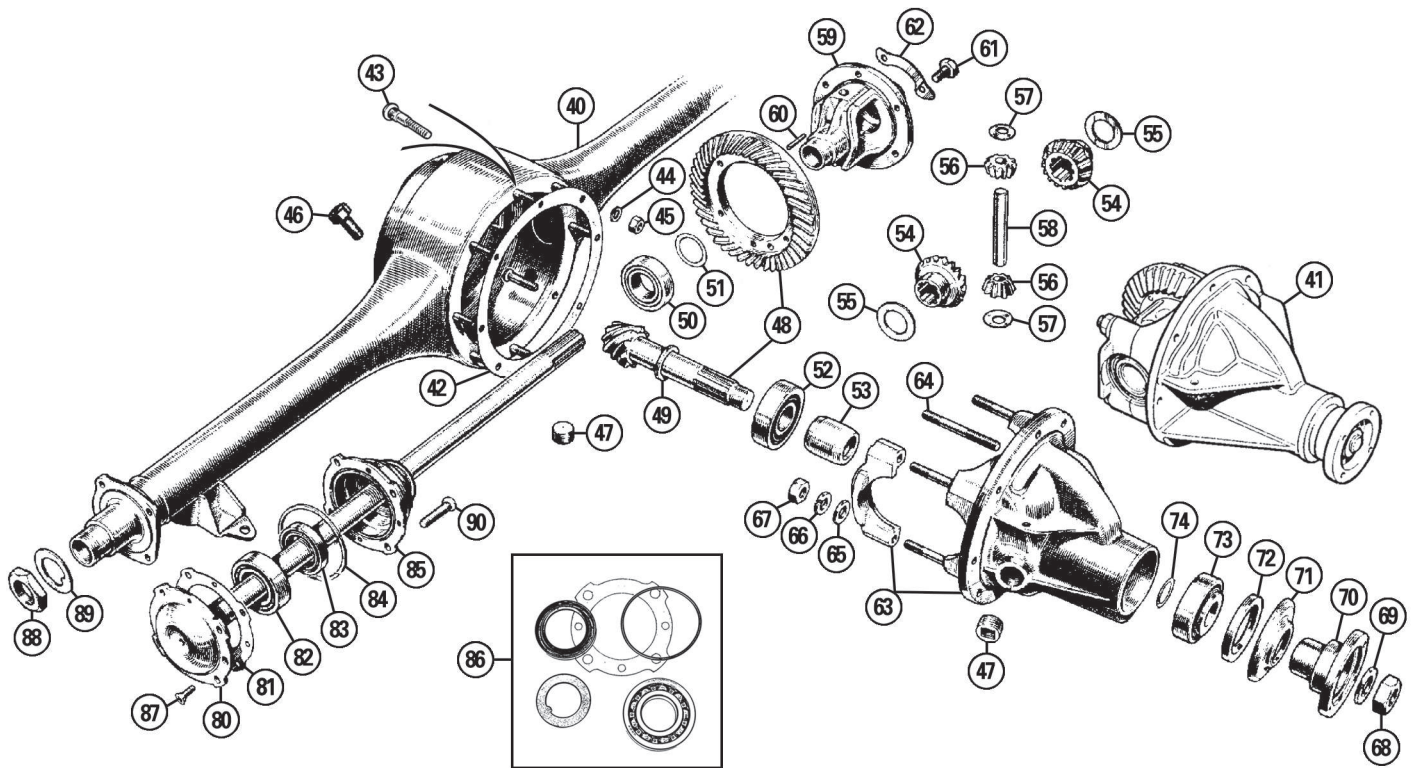
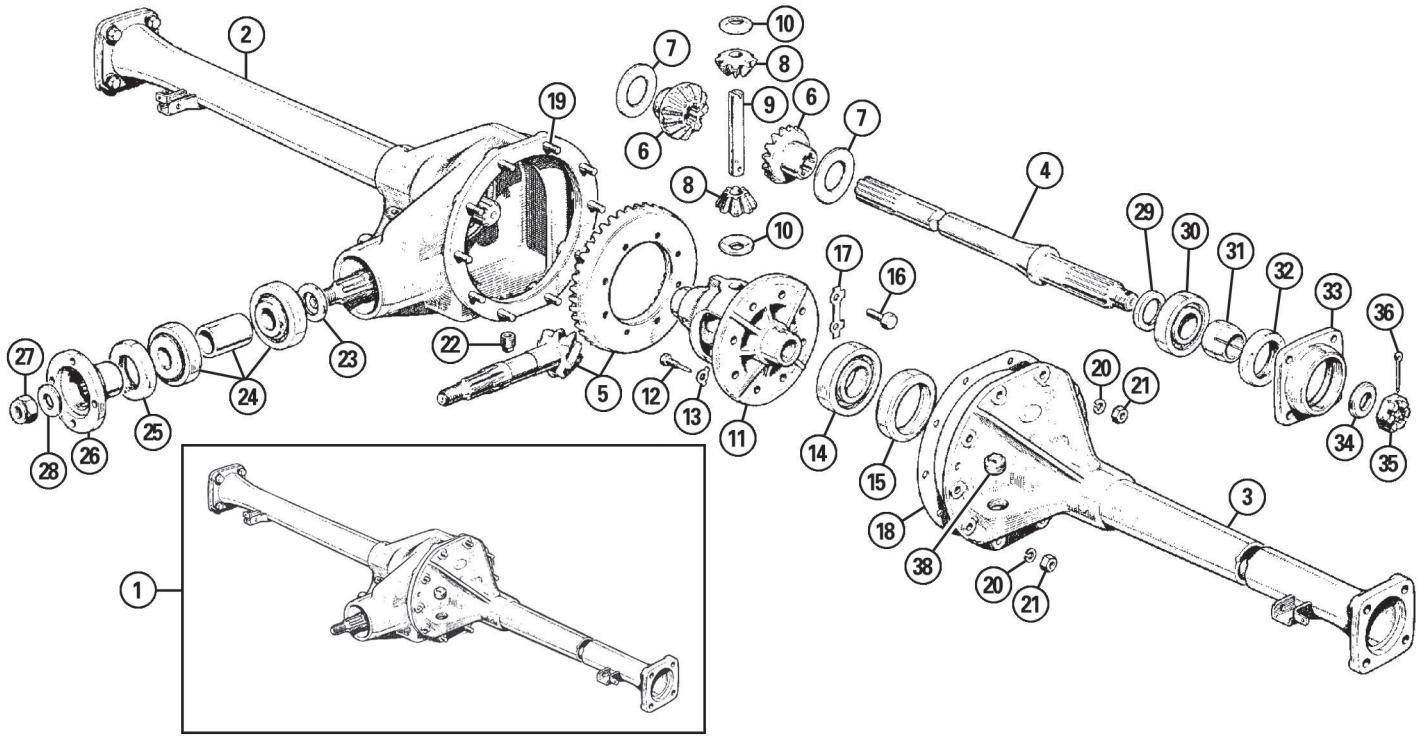
90	28G87	NCA	GEAR CASE, 'smooth case'	1	
91	6GR52	NCA	GEAR CASE, 'ribbed case'	1	
92	1B3346	NCA	COVER, starter pinion	1	
93	53K1435	£1.55	SCREW, pinion cover	3	
94	GHF331	£0.42	WASHER, spring	3	
95	22G199	£7.90	PLUG, bell housing, top	1	
96	BH605111	£1.00	BOLT, gearbox to back plate	8	
97	GHF332	£0.43	WASHER, spring	8	
98	GHF201	£0.18	NUT	8	
99	1G752	£1.52	DOWEL, gearbox to backplate	2	
100	2K5830	£19.80	PLUG, filler and drain	2	magnetic
	2K5830X				
101	2A3088	NCA	COVER, front, LHD	1	803-948cc
	22G124	NCA	COVER, front, LHD	1	1098cc
	22G124X	£108.70	COVER, front, lip seal type, LHD	1	
102	2A3087	NCA	COVER, front	1	803-948cc
	22G118	NCA	COVER, front	1	
	22G118X	£101.00	COVER, front, improved (Improved spec with renewable oil seal)	1	1098cc
	22G118XOS	£2.50	OIL SEAL, front cover replacement	1	

Note: The original front cover for 1098cc gearboxes (Part Nos: 22G2124 & 22G118) relied on an 'Archimedes' screw to keep the oil in the gearbox, simple, but not totally effective. Our improved front covers (Part Nos: 22G2124X & 22G118X) are machined to accommodate a modern, replaceable, lip type oil seal.

103	22G165	£0.91	GASKET, front cover	1	
104	53K463	£4.40	STUD, front cover	7	
105	GHF331	£0.42	WASHER, spring	7	
106	GHF200	£0.48	NUT	7	
107	BH606131	£1.12	BOLT, starter & gearbox to backplate	2	
108	GHF333	£0.34	WASHER, spring	2	
109	GHF202	£0.36	NUT	2	
110	2A3076	£3.00	PLUG, bell housing, lower	1	
111	22H1337	£2.52	GAITER, clutch fork	1	
112	2A3110	£2.80	PLUNGER, interlocking	1	behind rear of side cover
113	88G214	NCA	SIDE COVER, gearbox	1	
114	2A3286	£1.00	GASKET, side cover	1	
115	53K463	£4.40	STUD, side cover	8	
116	GHF331	£0.42	WASHER, spring	8	
117	GHF200	£0.48	NUT	8	
118	BLS110	£0.44	BALL BEARING, selector shaft	2	behind front of side cover
119	2A3108	NCA	PLUNGER	2	
120	22G327	£0.80	SPRING, plunger	2	
121	2A3028	£2.80	SCREW, reverse shaft locking	1	
122	GHF331	£0.42	WASHER, spring	1	
123	BLS110	£0.44	BALL BEARING, interlock	1	underside of gear case
124	2K4956	£0.44	WASHER, sealing	1	
125	2A3253	NCA	PLUG, interlock ball	1	
126	2A3108	NCA	PLUNGER, reverse selector	1	underside of gear case
127	22G327	£0.80	SPRING, plunger	1	
128	2K4956	£0.44	SEALING WASHER	1	
129	6K643	NCA	PLUG, reverse selector	1	
130	BGK106	£7.10	GASKET SET, gearbox	1	948-1098cc
131	SGB0002	£7.30	ANTI RATTLE KIT, gear lever (Includes items: 22, 24, 36, 37).	1	



ill.	Part Number	Price Eea.	Description	Req.	Details
Gearbox					
Internal Gearbox					
1	22A287	NCA	LAYGEAR	1	'smooth case'
	22G83	£115.70	LAYGEAR	1	'ribbed case'
2	22G673	£21.70	LAYSHAFT	1	
	22G673Z	NCA	LAYSHAFT	1	
3	2A3023	£10.10	THRUST WASHER, front	1	803cc - early 1098cc
	22A1836	NCA	THRUST WASHER, front	1	late 1098cc
4	88G396	£7.90	ROLLER BEARING, laygear	2	
5	22G278	£0.71	CIRCLIP	2	
6	22G277	NCA	DISTANCE PIECE	1	
7	2A3024	£10.10	THRUST WASHER, rear, 0.123"/0.124"	a/r	
	2A3025	£10.10	THRUST WASHER, rear, 0.125"/0.126"	a/r	
	2A3026	£10.10	THRUST WASHER, rear, 0.127"/0.128"	a/r	
	2A3027	£10.10	THRUST WASHER, rear, 0.130"/0.131"	a/r	
10	22A204	NCA	REVERSE GEAR	1	'smooth case'
	22A453	£70.10	REVERSE GEAR	1	'ribbed case'
11	2A3282	£2.38	BUSH, reverse gear	1	
12	88G216	NCA	SHAFT, reverse gear	1	
13	BLS107	£0.44	BALL BEARING, synchromesh	6	
14	22A367	NCA	SPRING, synchromesh	6] alternatives
	22G317	£0.77	SPRING, synchromesh	6	
15	22G89	NCA	PLUNGER	1	
16	22A426	NCA	1st GEAR ASSEMBLY	1	'smooth case'
	22A460	£101.70	1st GEAR, outer ring only	1	'ribbed case'
17	22G2033	£20.10	SYNCHRO RING	3	'ribbed case'
18	2A3042	NCA	THRUST WASHER, rear	1	
19	22A461	£113.90	GEAR, 2nd speed	1	'ribbed case'
20	2A3298	£18.50	BUSH, 2nd gear	1	
21	22G374	£7.70	INTERLOCK	1	'ribbed case'
22	2A3290	£19.00	BUSH, 3rd gear	1	
23	22A140	NCA	GEAR, 3rd speed	1	'smooth case'
	22A462	£66.40	GEAR, 3rd speed	1	'ribbed case'
24	22A550	NCA	THRUST WASHER, front, 0.212"/0.213"	1	
	22A536	NCA	THRUST WASHER, front, 0.214"/0.215"	1	
	22A537	NCA	THRUST WASHER, front, 0.216"/0.217"	1	
	22A538	NCA	THRUST WASHER, front, 0.218"/0.219"	1	
25	2A3226	NCA	SYNCHRO ASSEMBLY, 3rd & 4th gear	1	'smooth case'
	22G97	NCA	SYNCHRO ASSEMBLY, 3rd & 4th gear	1	'ribbed case', early
	22A591	NCA	SYNCHRO ASSEMBLY, 3rd & 4th gear	1	'ribbed case', late
26	2A3224	NCA	MAINSHAFT, 3rd motion shaft	1	'smooth case'
	22G119	£221.40	MAINSHAFT, 3rd motion shaft	1	'ribbed case'
27	2K6677	£0.89	NUT	1	
28	2A3035	£4.70	LOCK TAB	1	
29	6K559	NCA	WASHER	1	
30	2A3371	NCA	SPEEDO GEAR	1	
31	2A3057	NCA	DISTANCE TUBE	1	'smooth case'
	22A466	NCA	DISTANCE TUBE	1	'ribbed case'
32	2K8737	£1.51	SHIM, 0.004"	a/r	
	2K8738	£1.40	SHIM, 0.006"	a/r	
	2K8739	£2.00	SHIM, 0.010"	a/r	
33	6K558	NCA	CIRCLIP	1	
34	2A3245	£12.30	BEARING, mainshaft rear	1	'smooth case'
	22A465	£17.70	BEARING, mainshaft rear	1	'ribbed case'
35	2A3085	NCA	HOUSING, bearing	1	'smooth case'
	22A463	NCA	HOUSING, bearing	1	'ribbed case'
36	2A3034	£6.10	BUSH, mainshaft spigot	1	'smooth case'
	CHM172	£10.10	BEARING, mainshaft spigot	1	'ribbed case'
37	22A141	NCA	INPUT SHAFT, 1st motion shaft	1	'smooth case'
	22G171	£215.30	INPUT SHAFT, 1st motion shaft	1	'ribbed case'
38	2A3245	£12.30	BEARING, input shaft front	1	
39	6K558	NCA	CIRCLIP	1	
40	2K8737	£1.51	SHIM, 0.004"	a/r	
	2K8738	£1.40	SHIM, 0.006"	a/r	
	2K8739	£2.00	SHIM, 0.010"	a/r	
41	6K559	NCA	WASHER	1	
42	2A3035	£4.70	LOCK TAB	1	
43	2K6677	£0.89	NUT	1	
44	22G154	NCA	SPRING	1/2	early gearboxes
45	22A495	£19.10	PEG, locating	1/3	use 1 set
46	BGK106	£7.10	GASKET SET, gearbox	1	948-1098cc



iii. Part Number Price Eea. Description Req. Details

Axles & Propshaft

Rear Axle, Split Case: Series II (to (c) 228266)

1	AAA4754	NCA	AXLE ASSEMBLY	1	
2	AAA1070	NCA	TUBE & CASING, RH	1	
3	AAA1071	NCA	TUBE & CASING, LH	1	
4	AAA1074	NCA	AXLE SHAFT	2	
5	AAA1116	NCA	CROWN WHEEL & PINION (8 tooth pinion & 43 tooth crown wheel).	1	
6	AAA956	NCA	DIFFERENTIAL GEAR, sun wheel	2	
7	AAA957	NCA	THRUST WASHER	2	
8	AAA1114	NCA	DIFFERENTIAL GEAR, planet gear	2	
9	AAA958	NCA	CROSS PIN, planet gears	1	
10	AAA955	NCA	THRUST WASHER	2	
11	AAA1073	NCA	CAGE, differential	1	to (c) 182744
	AAA1117	NCA	CAGE, differential	1	from (c) 182745
12	ATC7488	NCA	BOLT, cross pin locking	1	
13	ATC7489	NCA	LOCK TAB, cross pin bolt	1	
14	AAA988	NCA	BEARING, differential	2	
15	AAA1048	NCA	COLLAR, differential bearing	a/r	0.495"/12.57mm
	AAA1049	NCA	COLLAR, differential bearing	a/r	0.496"/12.60mm
	AAA1050	NCA	COLLAR, differential bearing	a/r	0.497"/12.62mm
	AAA1051	NCA	COLLAR, differential bearing	a/r	0.498"/12.65mm
	AAA1052	NCA	COLLAR, differential bearing	a/r	0.499"/12.68mm
	AAA1053	NCA	COLLAR, differential bearing	a/r	0.500"/12.70mm
	AAA1054	NCA	COLLAR, differential bearing	a/r	0.501"/12.72mm
	AAA1055	NCA	COLLAR, differential bearing	a/r	0.502"/12.75mm
	AAA1056	NCA	COLLAR, differential bearing	a/r	0.503"/12.77mm
	AAA1057	NCA	COLLAR, differential bearing	a/r	0.504"/12.80mm
	AAA1058	NCA	COLLAR, differential bearing	a/r	0.505"/12.82mm
	AAA1059	NCA	COLLAR, differential bearing	a/r	0.506"/12.85mm
16	AAA1108	NCA	BOLT, crown wheel to cage	8	to (c) 182744
	ATA7043	£4.00	BOLT, crown wheel to cage	8	from (c) 182745
17	AAA1109	NCA	LOCK TAB, crown wheel bolt	4	to (c) 182744
	AAA1115	NCA	LOCK TAB, crown wheel bolt	4	from (c) 182745
18	AAA960	NCA	GASKET, differential casing	1	
19	102374	NCA	STUD, differential casing	10	
20	GHF332	£0.43	WASHER, spring	10	
21	GHF201	£0.18	NUT, differential casing	10	
22	ADP104	NCA	PLUG, drain	1	
23	AAA1014	NCA	SPACER, pinion bearing	a/r	0.116"/2.946mm
	AAA1015	NCA	SPACER, pinion bearing	a/r	0.117"/2.992mm
	AAA1016	NCA	SPACER, pinion bearing	a/r	0.118"/2.997mm
	AAA1017	NCA	SPACER, pinion bearing	a/r	0.119"/3.016mm
	AAA1018	NCA	SPACER, pinion bearing	a/r	0.120"/3.048mm
	AAA1019	NCA	SPACER, pinion bearing	a/r	0.121"/3.073mm
	AAA1020	NCA	SPACER, pinion bearing	a/r	0.122"/3.099mm
	AAA1021	NCA	SPACER, pinion bearing	a/r	0.123"/3.124mm
	AAA1022	NCA	SPACER, pinion bearing	a/r	0.124"/3.150mm
	AAA1023	NCA	SPACER, pinion bearing	a/r	0.125"/3.176mm
	AAA1024	NCA	SPACER, pinion bearing	a/r	0.126"/3.200mm
	AAA1025	NCA	SPACER, pinion bearing	a/r	0.127"/3.225mm
	AAA1026	NCA	SPACER, pinion bearing	a/r	0.128"/3.251mm
24	AAA966	NCA	BEARING & SPACER ASSEMBLY	1	
25	AAA1012	£5.40	OIL SEAL, pinion	1	
26	AAA972	NCA	FLANGE, pinion	1	
27	LNZ210	NCA	NUT, pinion	1	
28	ATC7483	NCA	WASHER, pinion	1	
29	AAA961	NCA	SPACER, rear hub bearing	2	
30	101434	£28.50	BEARING, rear hub	2	
31	AAA963	NCA	COLLAR, oil seal	2	
32	1K7796	£5.40	OIL SEAL, rear hub	2	
33	AAA965	NCA	HOUSING, bearing	2	
34	AAA964	NCA	WASHER, axle shaft	2	
35	AAA1097	NCA	NUT, axle shaft	2	
36	GHF503	£0.34	SPLIT PIN, axle shaft	2	
38	ADP112	NCA	PLUG, filler	1	

Rear Axle, Solid Case: Series II (from (c) 228267 & 1000)

40	BTA610	NCA	AXLE CASE	1	
41	ATA7073E	£306.00	DIFF. ASSY., 5.375:1, recon./exch. (8 tooth pinion & 43 tooth crown wheel).	1	to (c) 448800
	ATA7093E	£306.00	DIFF. ASSY., 4.55:1, recon./exch. (9 tooth pinion & 41 tooth crown wheel).	1	from (c) 448801
	ATA7093EX	NCA	DIFF. ASSY., 4.55:1, recon./exch. (9 tooth pinion & 41 tooth crown wheel).	1	from (c) 448801 new CW&P
	BTA550E	£317.00	DIFF. ASSY., 4.222:1, recon./exch. (9 tooth pinion & 38 tooth crown wheel).	1	from (c) 990290
	BTA550EX	£586.90	DIFF. ASSY., 4.222:1, recon./exch. (9 tooth pinion & 38 tooth crown wheel).	1	from (c) 990290 new CW&P
	BTA1222E	£330.00	DIFF. ASSY., 3.9:1, recon./exch. (10 tooth pinion & 39 tooth crown wheel).	1	MG Midget

iii. Part Number Price Eea. Description Req. Details

	BTA1222EX	£690.00	DIFF. ASSY., 3.9:1, recon./exch. (10 tooth pinion & 39 tooth crown wheel).	1	MG Midget new CW&P
	BTA551E	£330.00	DIFF. ASSY., 3.7:1, recon./exch. (10 tooth pinion & 37 tooth crown wheel).	1	MG Midget
	BTA551EX	£660.00	DIFF. ASSY., 3.7:1, recon./exch. (10 tooth pinion & 37 tooth crown wheel).	1	MG Midget new CW&P
42	2A7027	£1.12	GASKET, differential to axle case	1	
43	2A7226	NCA	STUD, differential	8	
44	GHF332	£0.43	WASHER, spring	8	
45	GHF201	£0.18	NUT, differential to axle case	8	
46	21H6060	£4.20	BREATHER	1	
47	6K499	£2.70	PLUG, filler & drain	2	
48	ATA7040	NCA	CROWN WHEEL & PINION, 5.375:1 (8 tooth pinion & 43 tooth crown wheel).	1	to (c) 448800
	8G7129	NCA	CROWN WHEEL & PINION, 4.55:1 (9 tooth pinion & 41 tooth crown wheel).	1	from (c) 448801
	BTA539	£580.00	CROWN WHEEL & PINION, 4.222:1 (9 tooth pinion & 38 tooth crown wheel).	1	from (c) 990290
	BTA1223	£580.00	CROWN WHEEL & PINION, 3.90:1 (10 tooth pinion & 39 tooth crown wheel).	1	MG Midget
	BTA535	£580.00	CROWN WHEEL & PINION, 3.70:1 (10 tooth pinion & 37 tooth crown wheel).	1	MG Midget
49	ATA7055	NCA	SHIM, pinion, 0.116"	a/r	to (c) 990289
	ATA7054	NCA	SHIM, pinion, 0.118"	a/r	
	ATA7053	NCA	SHIM, pinion, 0.120"	a/r	
	ATA7052	NCA	SHIM, pinion, 0.122"	a/r	
	ATA7051	NCA	SHIM, pinion, 0.124"	a/r	
	ATA7050	NCA	SHIM, pinion, 0.126"	a/r	
	ATA7049	NCA	SHIM, pinion, 0.128"	a/r	
	ATA7048	NCA	SHIM, pinion, 0.130"	a/r	
	ATA7130	NCA	SHIM, pinion, 0.116"	a/r	from (c) 990290
	ATA7129	NCA	SHIM, pinion, 0.118"	a/r	
	ATA7128	NCA	SHIM, pinion, 0.120"	a/r	
	ATA7127	NCA	SHIM, pinion, 0.122"	a/r	
	ATA7126	NCA	SHIM, pinion, 0.124"	a/r	
	ATA7125	NCA	SHIM, pinion, 0.126"	a/r	
	ATA7124	NCA	SHIM, pinion, 0.128"	a/r	
	ATA7123	NCA	SHIM, pinion, 0.130"	a/r	
50	2K5943	£18.50	BEARING, differential	2	
51	2K7779	£1.50	SHIM, diff bearing, 0.002"	a/r	
	ATA7269	£1.30	SHIM, diff bearing, 0.003"	a/r	
	2K7778	£1.30	SHIM, diff bearing, 0.004"	a/r	
	2A7271	£1.30	SHIM, diff bearing, 0.010"	a/r	
52	104556	£31.70	BEARING, pinion, inner	1	to (c) 990289
	ATA7166A	£28.50	BEARING, pinion, inner	1	from (c) 990290
53	ATA7046	NCA	SPACER	1	to (c) 990289
	BTA532	£8.20	SPACER, collapsible	1	from (c) 990290

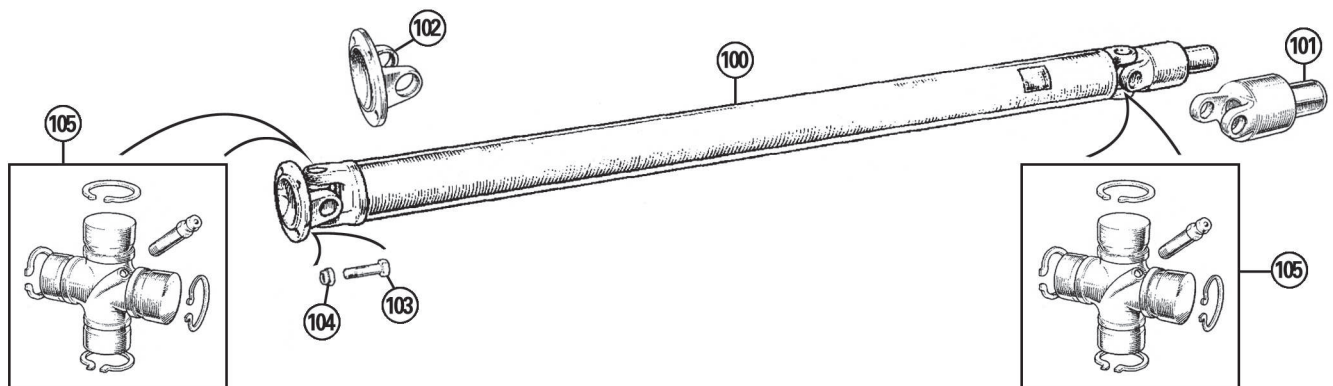
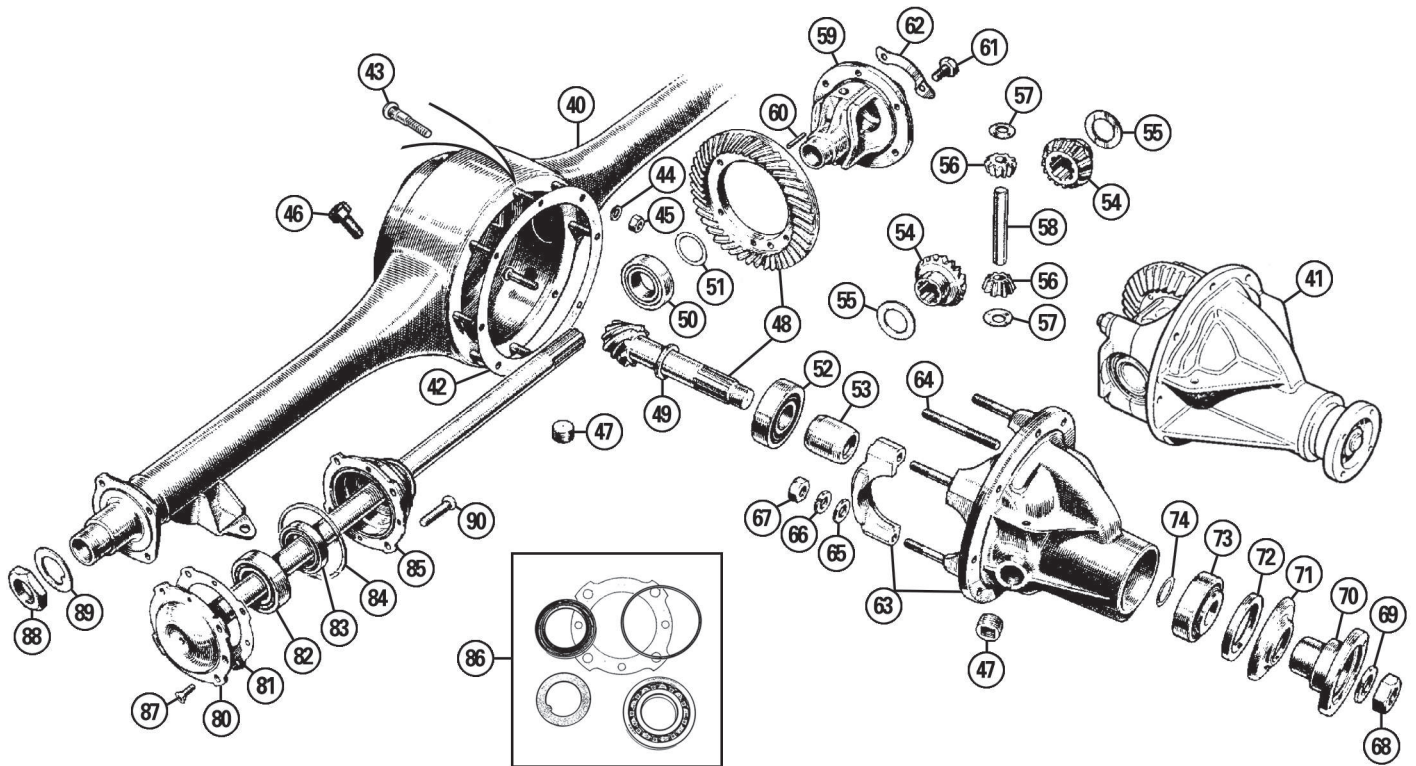
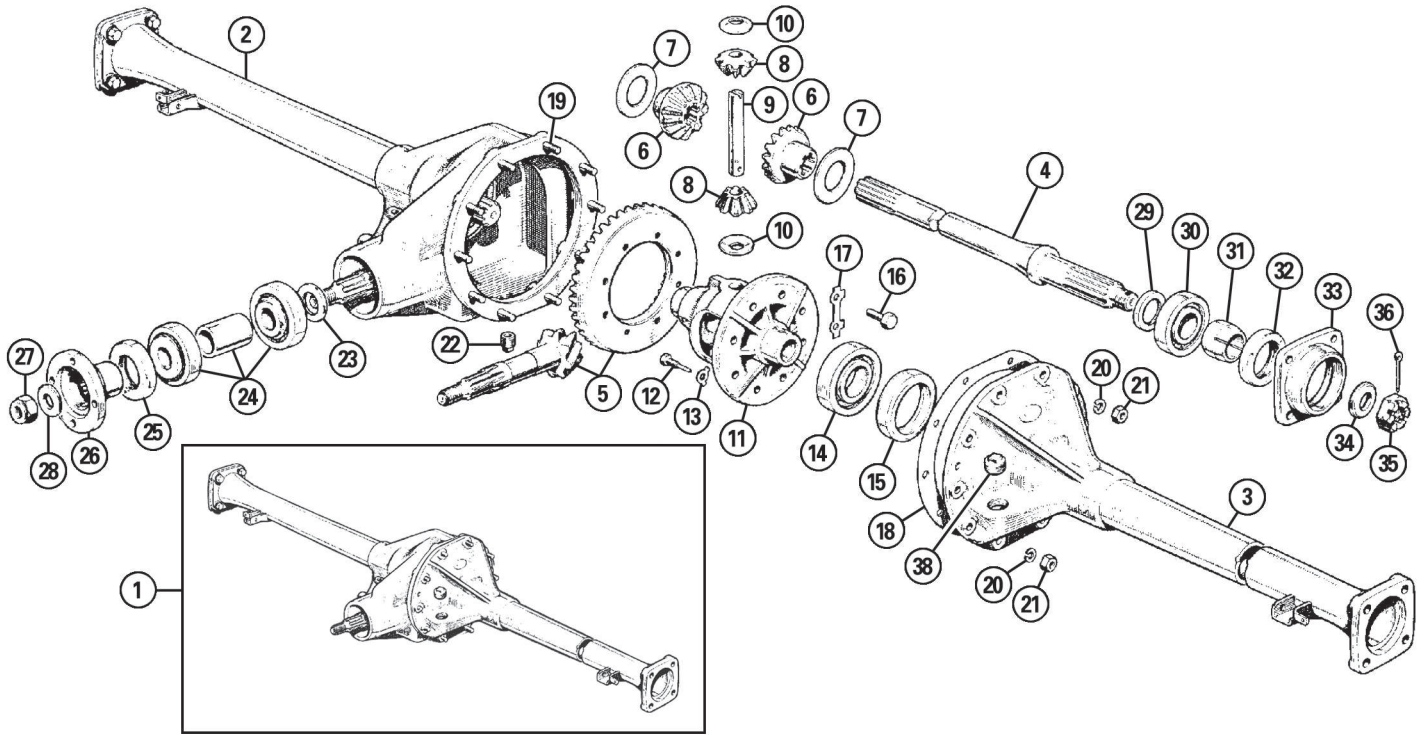
Collapsible & Non-Collapsible (Solid) Spacers

Pinion bearing pre-load was originally set by the use of a collapsible spacer between the two bearings. The correct pinion bearing pre-load is achieved when a rotational torque of between 11 & 13 pound inches (lbs. ins.) is required to rotate the pinion in the differential housing. This figure should only be checked when the seal is not fitted. It is attainable only when the pinion nut has been tightened sufficiently to 'nip' or pre-load the two bearings. It is not acceptable to over tighten the pinion nut and slack it off to obtain the correct bearing pre-load, if the spacer is over compressed then it must be scrapped, and a new one fitted.

The differential pinion may have had, at some time in its life, a solid spacer and shims fitted instead of the collapsible spacer; this is not uncommon. The solid spacer system was utilised on Morris Minors up to around 1959, after that the collapsible spacer system was used. The collapsible spacer is a far quicker (& therefore cheaper) method of obtaining pinion bearing pre-load and was adopted by many motor manufacturers.

Installing the solid spacer and shim system is time consuming because the entire assembled pinion must be fitted, tested, stripped and reassembled to adjust the bearing pre-load by the addition or subtraction of shims. Once set in this way the pinion bearing pre-load is impossible to change. Conversely, the collapsible spacer system can be adjusted after fitting if the pinion nut is removed and then refitted at a different torque setting. This means that service replacement of the differential pinion oil seal must be done with care, especially when refitting and re-torquing the pinion flange nut. A solid bearing spacer is offered for those who wish to convert to the more permanent solid spacer system. The solid spacer is part number BTA532X. Four different thickness adjusting shims are available as listed here.

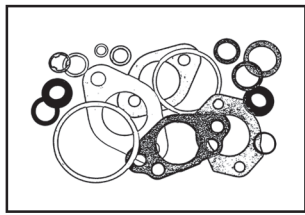
	BTA532	£8.20	SPACER, collapsible	a/r	
	BTA532X	NCA	SPACER, solid	a/r	alternative to BTA532
	140790	£2.50	SHIM, (0.030")	a/r	
	140791	£4.00	SHIM, (0.010")	a/r	
	140792	£4.00	SHIM, (0.005")	a/r	
	140793	£4.00	SHIM, (0.003")	a/r	
54	ATA7037	NCA	DIFFERENTIAL GEAR, sun wheel	2	
55	ATA7039	£3.90	THRUST WASHER, sun wheel, +0.035"	2	
	ATA7039/040	£2.15	THRUST WASHER, sun wheel, +0.040"	2	
	ATA7039/042	£3.10	THRUST WASHER, sun wheel, +0.042"	2	
	ATA7039/046	£2.80	THRUST WASHER, sun wheel, +0.046"	2	
	ATA7039/048	£3.50	THRUST WASHER, sun wheel, +0.048"	2	



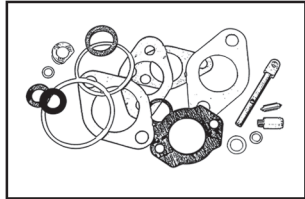
ill.	Part Number	Price Eea.	Description	Req.	Details
Axles & Propshaft (Continued)					
56	2A7015	NCA	DIFFERENTIAL GEAR, planet gear	2	
57	2A7062	£3.30	THRUST WASHER, planet gear, 0.035"	2	
	2A7062Z	£3.70	THRUST WASHER, planet gear, 0.054"	2	
58	2A7016	£20.50	CROSS PIN, planet gears	1	
59	ATA7036	NCA	CAGE, differential	1	
	ATA7036SR	NCA	CAGE, differential	1	serviceable replacement
60	6K631	£0.72	PIN, cross pin locating	1	
61	ATA7043	£4.00	BOLT, crown wheel to differential cage	6	
62	ATA7044	£1.37	LOCK TAB	3	
63	ATA7032	NCA	CARRIER ASSEMBLY	1	to (c) 990289
	BTAs49	NCA	CARRIER ASSEMBLY	1	from (c) 990290
64	51K886	£10.50	STUD, differential carrier	4	
65	GHF303	£0.34	WASHER, plain	4	
66	GHF334	£0.78	WASHER, spring	4	
67	GHF203	£0.34	NUT	4	
68	FNZ612	£3.60	NUT, drive flange to pinion	1	
69	WL600121	£0.80	WASHER, spring	1	
70	ATA7056	NCA	DRIVE FLANGE, input	1	
71	1G7439	NCA	DUST COVER	1	
72	88G320	£3.80	OIL SEAL	1	
73	2A7213	£22.00	BEARING, pinion, outer	1	to (c) 990289
	BTB440	£14.00	BEARING, pinion, outer	1	from (c) 990290
74	140790	£2.50	SHIM, outer bearing, 0.030"	a/r	
	140791	£4.00	SHIM, outer bearing, 0.010"	a/r	
	140792	£4.00	SHIM, outer bearing, 0.005"	a/r	
	140793	£4.00	SHIM, outer bearing, 0.003"	a/r	
80	ATA7057	NCA	DRIVE SHAFT	2	
81	GFG110	£0.56	GASKET, drive shaft flange to hub	2	
82	GHB130	£23.50	BEARING, rear hub	2	
83	GHS147	£1.80	OIL SEAL, rear hub bearing	2	
84	ATA7225	£1.28	'O' RING	2	
85	2A7087	NCA	HUB ASSEMBLY	2	
86	GHK1143	£12.60	BEARING KIT rear hub (Contains items: 81, 82, 83, 84, 89).	2	
87	SF604051	£0.38	SCREW, drive shaft flange to hub	8	
88	2A7103	£5.10	NUT, hub bearing retaining	2/1	RH thread quantity reduced from (c) 376869
	1G3584	£10.00	NUT, hub bearing retaining	1	LH thread from (c) 376869
89	2H2381	NCA	LOCK WASHER	2	from (c) 376869
	2A7250	£1.50	LOCK WASHER	2	to (c) 376868
90	2A7089	£2.60	WHEEL STUD	8	

Propshaft

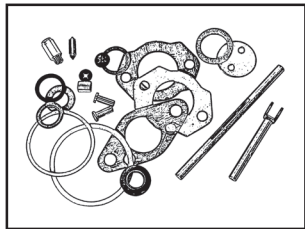
100	AAA3747	NCA	PROPSHAFT	1	
	AAA3747E	£88.00	PROPSHAFT, recon./exchange	1	
101	17H3894	NCA	YOKE, front, splined	1	
102	7H3863	£19.00	YOKE, rear, flanged	1	
103	320-380	£1.48	BOLT, propshaft to differential flange	4	5/16" BSF
	BH605101	£1.39	BOLT, propshaft to differential flange	4	5/16" UNF, alternative
104	AJD8335Z	£0.95	NUT, propshaft to differential flange	4	5/16" BSF
	GHF222	£0.60	NUT, propshaft to differential flange	4	5/16" UNF, alternative
105	GUJ115	£10.10	UNIVERSAL JOINT, greaseable	2	
	GUJ115Z	£8.40	UNIVERSAL JOINT, greaseable	2	aftermarket
	GUJ101	£9.10	UNIVERSAL JOINT, sealed	2	
	GUJ101Z	£8.60	UNIVERSAL JOINT, sealed	2	aftermarket



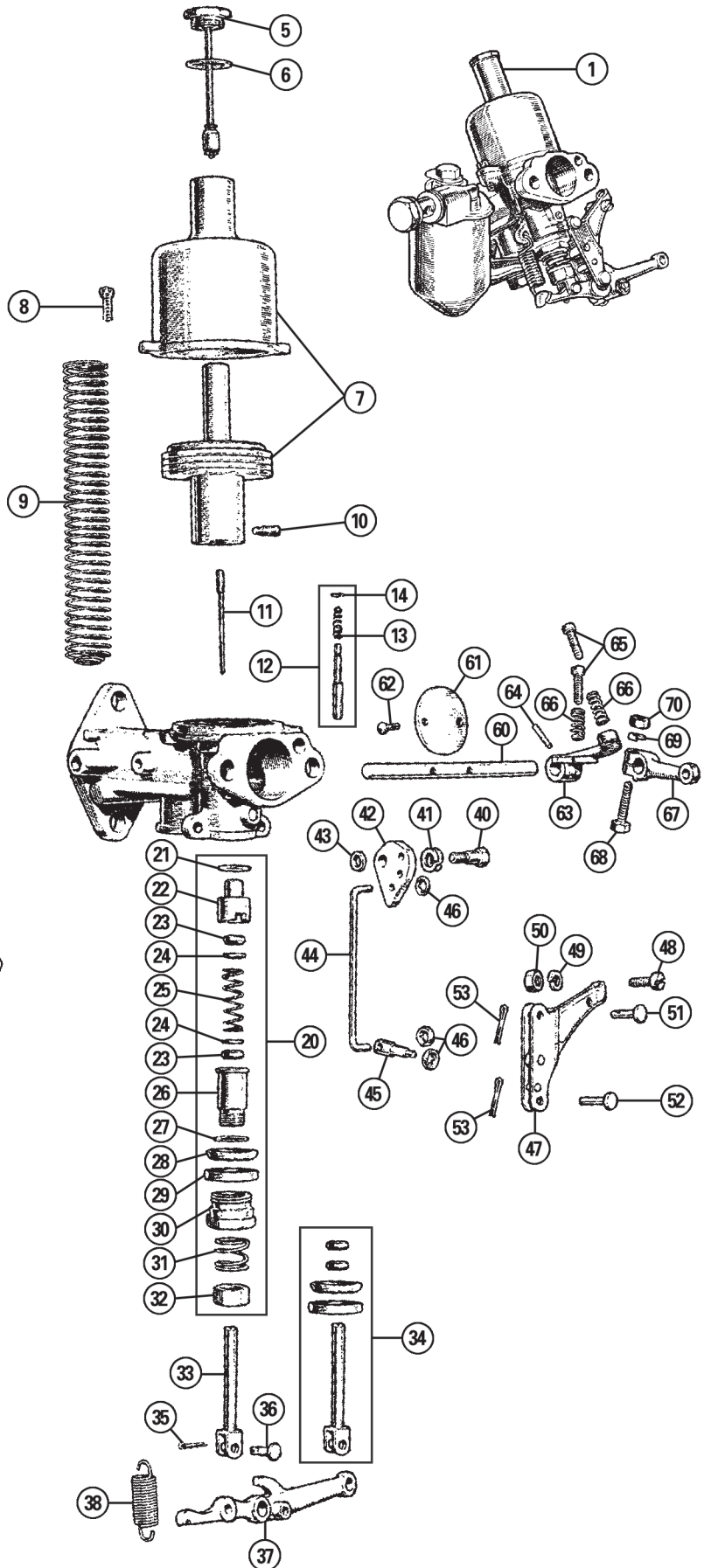
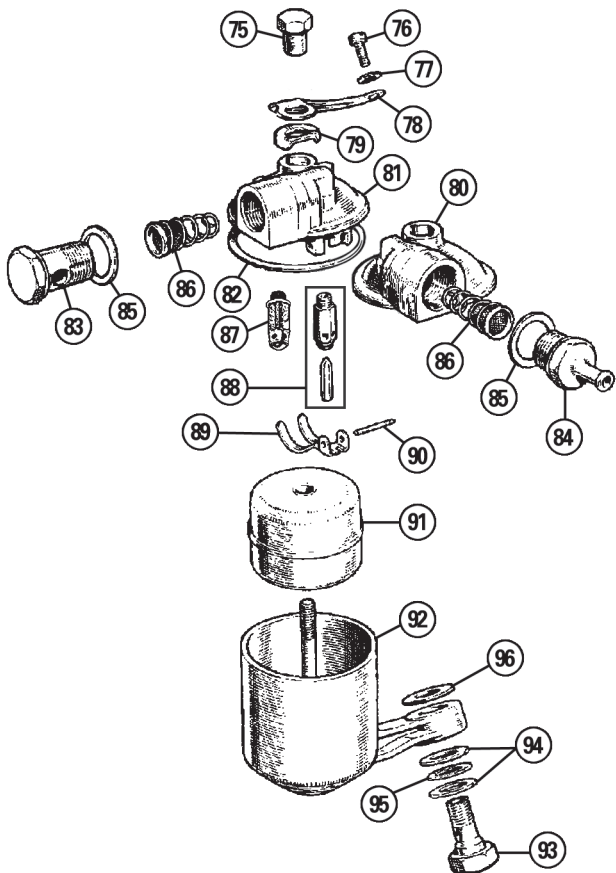
2



3

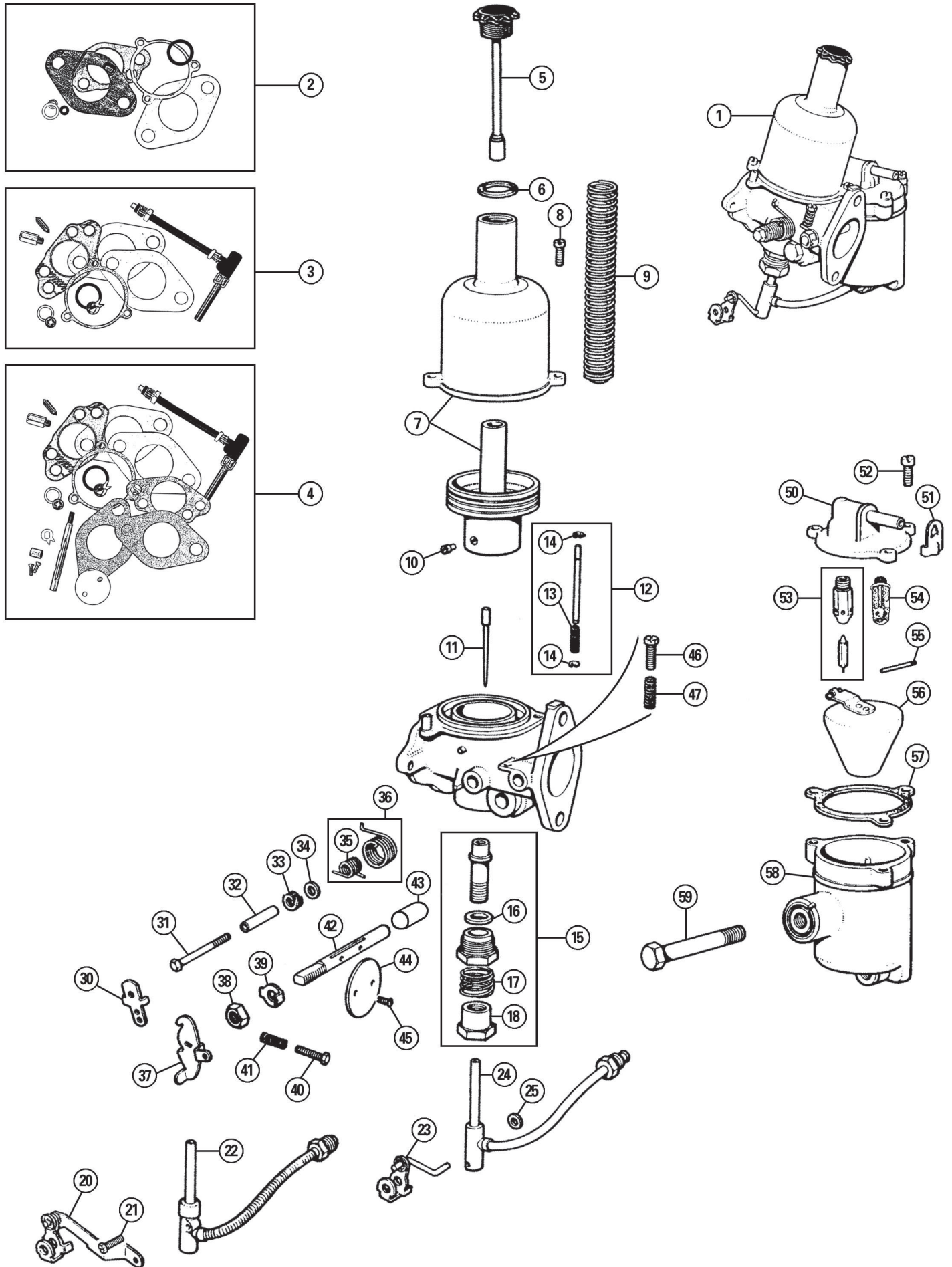


4



Part Number	Price	£ea.	Description	Req.	Details
Carburettors: SU H Type					
Carburettor Assemblies					
1	AUC452	NCA	CARBURETTOR ASSEMBLY, H1	1	from (e) APHM Series MM
	AUC704	NCA	CARBURETTOR ASSEMBLY, H1	1	Series II, Early
	AUC738	NCA	CARBURETTOR ASSEMBLY, H1	1	Series II, Late
	AUC833	NCA	CARBURETTOR ASSEMBLY, H2	1	from (e) 9M/U/101
	AUC852	NCA	CARBURETTOR ASSEMBLY, H2	1	from (c) 476764
	AUC924	NCA	CARBURETTOR ASSEMBLY, H2	1	from (e) 9M/U/H165938
Gasket Packs & Rebuild Kits					
2	AUE900	£16.40	GASKET PACK	1	H1 & H2 carburettors
3	WZX1840	£60.30	SERVICE KIT	1	H1 & H2 carburettors
4	CRK226	£95.00	REBUILD KIT	1	H1 carburettors
	375-218	£86.60	REBUILD KIT	1	H2 carburettors
Carburettor Components					
5	AUC8103A	£25.70	DAMPER	1	
6	AUC2141	£0.46	WASHER, fibre, damper	1	
7	AUC8000	NCA	PISTON & CHAMBER	1	AUC452 to AUC924
	AUD9180	NCA	PISTON & CHAMBER	1	AUC833 & AUC852
8	JZX1394	£1.01	SCREW, chamber to body	2	
9	AUC4387	£10.30	SPRING	1	AUC833 to AUC924
10	AUC2383	NCA	SCREW, needle locking	1	AUC452 to AUC738
	AUC2057	£2.80	SCREW, needle locking	1	AUC833 to AUC924
11	AUD1158	£19.10	NEEDLE - EK, standard	1	AUC452
	AUD1149	£19.10	NEEDLE - EB, rich	1	AUC704 & AUC738
	AUD1211	£19.10	NEEDLE - GG, standard	1	AUC704 & AUC738
	AUD1266	£19.10	NEEDLE - MOW, weak	1	AUC704 & AUC738
	AUD1316	£19.10	NEEDLE - S, rich	1	AUC833 & AUC852
	AUD1086	£19.10	NEEDLE - BX1, standard	1	AUC833 & AUC852
	AUD1263	NCA	NEEDLE - MO, weak	1	AUC833 & AUC852
	AUD1059	£19.10	NEEDLE - AH2, rich	1	AUC924
	AUD1261	£19.10	NEEDLE - M, standard	1	AUC924
	AUD1149	£19.10	NEEDLE - EB, weak	1	AUC924
12	WZX1105	£7.10	LIFT PIN KIT	1	AUC738 to AUC852
13	AUC1151	£0.90	SPRING, lift pin	1	AUC738 to AUC852
14	AUD4150	£0.80	CIRCLIP, lift pin	1	AUC738 to AUC852
20	WZX1593	£32.60	JET BEARING KIT	1	(Includes: 21, 22, 23, 24, 25, 26, 27, 28, 29, 30, 31, 32).
21	AUC2122	£1.00	WASHER, upper, copper	1	
22	AUC3230	£9.40	BEARING, upper	1	
23	AUC2120	£1.30	SEAL, cork	2	
24	AUC2119	£2.17	WASHER, sealing, brass	2	
25	AUC1158	£3.40	SPRING, jet gland	1	
26	AUC3231	£6.70	JET BEARING, lower	1	
27	AUC3233	£1.54	WASHER, lower, copper	1	
28	AUC2118	£1.30	SEAL, cork	1	
29	AUC2117	£3.90	WASHER, sealing, aluminium	1	
30	AUC3232	£6.00	NUT, sealing	1	
31	AUC2114	£1.70	SPRING, mixture nut	1	
32	AUC2121	£3.70	NUT, mixture adjusting	1	
33	AUC8182	£12.40	JET, 0.090"	1	
34	WZX1595	£15.70	JET KIT, 0.090"	1	(Includes: 23, 28, 29 & 33).
35	GHF500	£0.24	SPLIT PIN	4	
36	AUC2108	£3.30	CLEVIS PIN	1	AUC452, AUC833 & AUC852
	AUC2381	£1.86	CLEVIS PIN	1	AUC704 & AUC738
37	AUC3504	NCA	LEVER, jet operating	1	AUC452
	AUC4648	NCA	LEVER, jet operating	1	AUC704 & AUC738
	AUC1019	NCA	LEVER, jet operating	1	AUC833 & AUC924
38	AUC4667	£5.50	SPRING, jet lever	1	
40	AUC3471	£5.00	BOLT, fast idle cam pivot	1	
41	AJD7722	£0.43	WASHER, spring	1	
42	AUC3603	NCA	CAM, fast idle	1	AUC452
	AUC3503	NCA	CAM, fast idle	1	AUC704 & AUC738
	AUC4730	£36.00	CAM, fast idle	1	AUC833 & AUC924
43	AUC4848	£2.70	WASHER	1	
44	AUC3501	NCA	LINK	1	AUC452 to AUC738
	AUC4711	NCA	LINK	1	AUC833 & AUC852
45	AUC5011	£7.90	SWIVEL PIN	1	AUC833 & AUC852
46	AUC5002	£1.12	WASHER, Starlock	3	AUC833 & AUC835
47	AUC3444	NCA	LINK ASSEMBLY, jet lever to body	1	AUC452
	AUE56	NCA	LINK ASSEMBLY, jet lever to body	1	AUC704 & AUC738
	AUE58	NCA	LINK ASSEMBLY, jet lever to body	1	AUC833 & AUC852
48	AUC2694	£0.90	BOLT, choke cable fixing	1	AUC452
	AUB660	NCA	BOLT, choke cable fixing	1	AUC704 to AUC852
49	WL700101	£0.28	WASHER, spring	2	

Part Number	Price	£ea.	Description	Req.	Details
50	AJD8012Z	£0.34	NUT	2	
51	AUC2381	£1.86	CLEVIS PIN, link lever	1	
52	AUC2381	£1.86	CLEVIS PIN, link lever	1	AUC452
	AUC5009	£2.27	CLEVIS PIN, link lever	1	AUC704 to AUC852
53	GHF500	£0.24	SPLIT PIN	5	
60	AUC3458	NCA	THROTTLE SPINDLE, standard	1	AUC452 to AUC738
	AUC3458RP	NCA	THROTTLE SPINDLE, oversize	1	AUC452 to AUC738
	AUC5106	NCA	THROTTLE SPINDLE, standard	1	AUC833 & AUC852
	AUC5106RP	NCA	THROTTLE SPINDLE, oversize	1	AUC833 & AUC852
61	AUC2103	NCA	DISC, throttle	1	AUC452 to AUC738
	WZX1320	£21.70	DISC, throttle	1	AUC833 & AUC852
62	AUC1358	£1.10	SCREW, throttle disc to spindle	2	
63	AUC3447	NCA	STOP, throttle lever	1	AUC452
	AUC3446	NCA	STOP, throttle lever	1	AUC704 & AUC738
	AUC1033	NCA	STOP, throttle lever	1	AUC833 & AUC852
64	AUC2106	£1.20	PIN	1	
65	AUC3464	£0.96	SCREW, stop adjusting	1	AUC452 to AUC738
	AUC3464	£0.96	SCREW, stop adjusting	1/2	
66	AUC3465	£1.30	SPRING, adjusting screw	1	AUC452 to AUC738
	AUC2451	£0.90	SPRING, adjusting screw	1/2	
67	AUC3460	NCA	LEVER, throttle	1	AUC452 to AUC738
	AUC4454	£32.00	LEVER, throttle	1	AUC833 & AUC852
68	AUC2694	£0.90	SCREW, throttle lever	1	AUC452 to AUC738
69	WL700101	£0.28	WASHER, spring	2	
70	AJD8012Z	£0.34	NUT	2	
75	AUC1163	£10.30	CAP NUT, chamber lid	1	
76	AUB660	NCA	SCREW, support bracket	1	AUC704 & AUC738
	JZX1394	£1.01	SCREW, support bracket	1	AUC704 & AUC738
77	WF702101	£0.40	WASHER, shake-proof	1	AUC704 & AUC738
78	AUC4981	NCA	BRACKET, chamber support	1	AUC704 & AUC738
	AUC5000	NCA	BRACKET, chamber support	1	AUC833 & AUC852
79	AUC1245	NCA	COVER CAP, for lid	1	AUC452
80	AUC1217	NCA	LID, float chamber	1	AUC452 & AUC704
	AUC4267	NCA	LID, float chamber	1	AUC738
	AUE479	£90.00	LID, float chamber	1	AUC852
81	AUE478	£90.00	LID, float chamber	1	AUC833
82	AUC1412	£0.78	GASKET, float lid to chamber	1	AUC704, AUC738 & AUC924
	AUC1147A	£0.90	GASKET, float lid to chamber	1	AUC833 & AUC852
83	AUC2698	£5.20	BANJO BOLT, fuel inlet	1	
84	AUC5139	NCA	UNION, fuel inlet, push-on	1	
85	AUC2141	£0.46	WASHER, sealing, fibre	a/r	
86	AUC2139	£9.60	FILTER & SPRING	1	
87	WZX1101A	£22.30	NEEDLE AND SEAT SET, standard	1	
88	GAC9201X	£9.40	GROSE JET	1	(Ball valve replacement to needle & seat. This valve does not stick and provides better flow control).
89	AUC1981	£20.00	LEVER	1	AUC452 to AUC738
	AUC1980	£9.30	LEVER	1	AUC833 & AUC852
90	AUC1152	£0.70	PIN, float pivot	1	
91	WZX1302	£33.00	FLOAT	1	AUC452 to AUC738 & AUC924
	WZX1303	£19.00	FLOAT	1	AUC833 & AUC852
	WZX1303X	£18.60	FLOAT, nitrophenyl replacement	1	AUC833 & AUC852
92	AUC1216	NCA	FLOAT CHAMBER	1	AUC452
	AUC4961	NCA	FLOAT CHAMBER	1	AUC704, AUC738 & AUC924
	AUC4815	NCA	FLOAT CHAMBER	1	AUC833 & AUC852
93	AUC1541	£11.70	BOLT, chamber to body	1	
94	AUC5027	NCA	WASHER, fibre	2	
95	AUC5026	NCA	WASHER, brass	1	
96	AUC2130	£0.90	WASHER, fibre	1	



iii. Part Number Price Eea. Description Req. Details

Carburettors: SU HS2 Type

Carburettor Assemblies

1	AUC944	NCA	CARBURETTOR ASSEMBLY, HS2	1	} from (e) 9M/U/H353642
	AUD13	NCA	CARBURETTOR ASSEMBLY, HS2	1	
	AUD368	NCA	CARBURETTOR ASSEMBLY, HS2	1	
					} from (e) 9M/U/H572430 from (e) 10-on
					} from (e) 10V/189EH301 (1972 on)

Gasket & Rebuild Kits

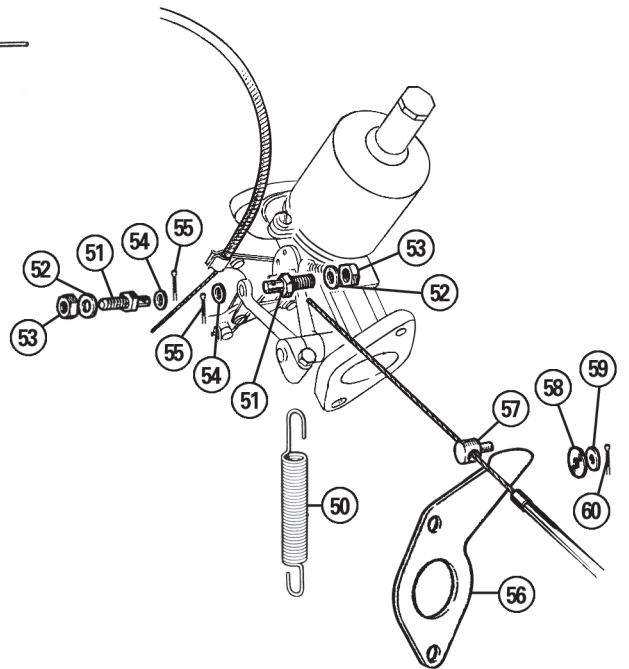
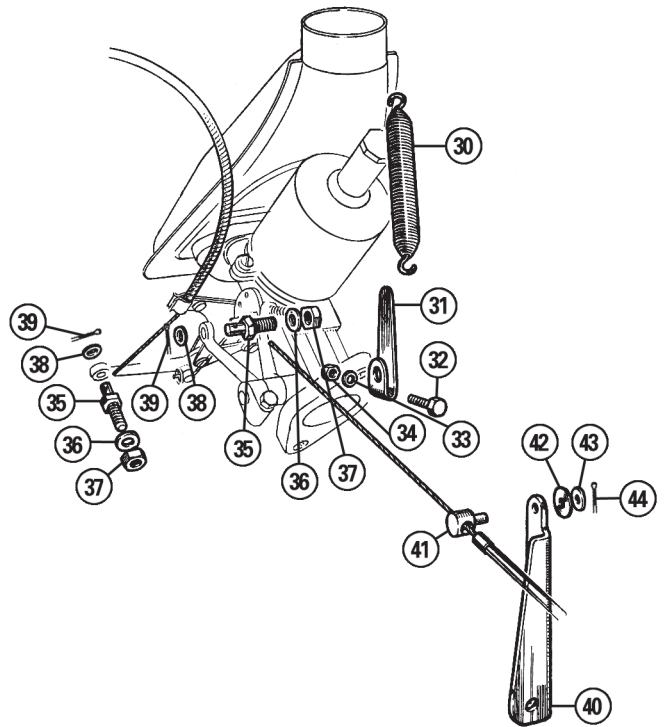
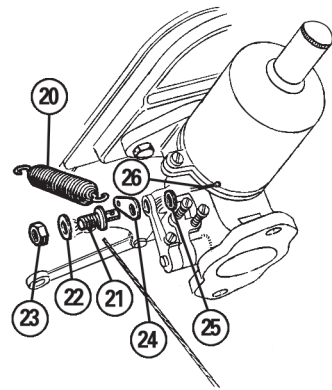
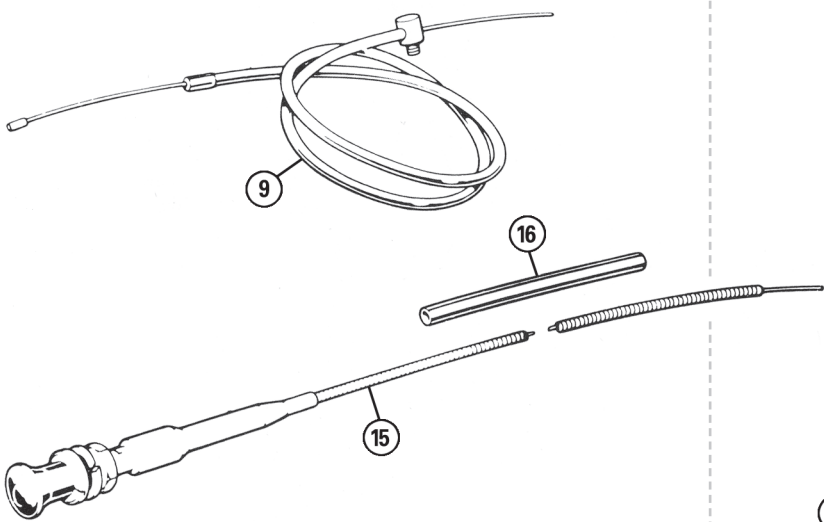
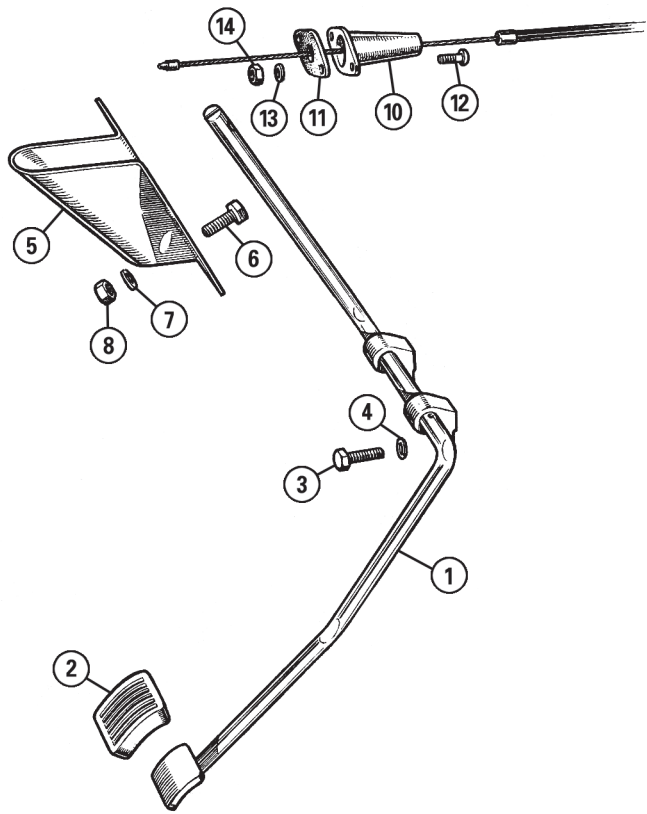
2	AUE810A	£5.10	GASKET KIT	1
3	WZX1851	£60.30	SERVICE KIT	1
4	GAC6153X	£79.20	REBUILD KIT	1

Carburettor Components

5	AUC8103A	£25.70	DAMPER	1	
6	AUC2141	£0.46	WASHER, fibre, damper	1	
7	CUD2800	NCA	PISTON & CHAMBER	1	
8	JZX1394	£1.01	SCREW	2	
9	AUC4387	£10.30	SPRING	1	
10	AUC2383	NCA	SCREW, needle locking	1	
	AUC2057	£2.80	SCREW, needle locking	1	
11	AUD1059	£19.10	NEEDLE - AH2, rich	1	AUC944
	AUD1261	£19.10	NEEDLE - M, standard	1	AUC944
	AUD1149	£19.10	NEEDLE - EB, weak	1	AUC944
	AUD1242	£19.10	NEEDLE - H-6, rich	1	AUD368
	AUD1478	£19.10	NEEDLE - AN, standard	1	AUD13 & AUD368
	AUD1149	£19.10	NEEDLE - EB, weak	1	AUD13 & AUD368
12	WZX1108	£6.60	PIN KIT, piston lift	1	
13	AUC1151	£0.90	SPRING, lift pin	1	
14	AUD4150	£0.80	CIRCLIP, lift pin	2	
15	WZX1341	£13.80	KIT, jet bearing	1	
16	AUC8478	£1.36	WASHER, jet bearing	1	
17	AUC2114	£1.70	SPRING, mixture nut	1	
18	AUC8461	£2.70	NUT, jet adjusting	1	
20	CUD2686	NCA	LEVER & LINK	1	AUC944
21	AUD2104	£0.40	SCREW, link to jet	1	AUD13 & AUD368
22	AUE389	NCA	JET	1	AUC944
23	AUD9004	£14.00	LEVER & LINK	1	AUD13 & AUD368
24	AUD9098A	£28.80	JET	1	AUD13 & AUD368
25	AUC5002	£1.12	WASHER, starlock	1	AUD944
30	AUC8456	NCA	LEVER, choke & fast idle cam	1	
31	AUC8400	NCA	BOLT	1	
32	AUC8473	£1.70	TUBE, pivot	1	
33	AUC8474	£1.20	WASHER, spring	1	
34	AUD2433	£0.35	WASHER	1	
35	AUC8463	NCA	SPRING, choke return	1	
36	WZX1335	NCA	CHOKE SPRING KIT	1	
37	AUC1145	NCA	LEVER, throttle	1	
38	AJD8014Z	£0.34	NUT	1	
39	AUD3323	£0.90	LOCKTAB	1	
40	AUC3464	£0.96	SCREW, fast idle adjusting	1	
41	AUC2451	£0.90	SPRING, anti-rattle	1	
42	WZX1310	£16.30	THROTTLE SPINDLE KIT (Comprises: 39, 44, 45 & gaskets).	1	
43	37H3043	£1.99	BEARING, spindle	2	
	AUD3079X	£4.50	BEARING, spindle, Teflon	2	

Note: Use item AUD3079X when the carburettor body is worn around the throttle spindle. Reaming the boss in the carburettor body to 8mm allows the insert to be fitted, thereby bringing the hole diameter in the boss to the correct 1/4" internal diameter. New throttle spindles should always be fitted if these inserts are used.

44	WZX1320	£21.70	DISC, throttle	1	
45	AUC1358	£1.10	SCREW, throttle disc to spindle	2	
46	AUC3464	£0.96	SCREW, idle adjusting	1	
47	AUC2451	£0.90	SPRING, anti-rattle	1	
50	AUE266	£83.00	LID, float chamber	1	AUD944 & AUD13
	AUD9258	£60.40	LID, float chamber	1	AUD368
51	AUC1215	£4.40	BAFFLE, float lid	1	
52	JZX1394	£1.01	SCREW	2/3	
53	WZX1101A	£22.30	NEEDLE & SEAT	1	
54	GAC9201X	£9.40	GROSE JET (Ball valve replacement to needle & seat. This valve does not stick and provides better flow control).	1	
55	AUC1152	£0.70	PIN, float pivot	1	
56	WZX1300	£14.90	FLOAT	1	
57	AUC8459A	£1.70	GASKET, float lid to chamber	1	
	WZX1391	£5.80	SUNDRIES KIT, HS float chamber	1	all HS carbs
58	AUC1390	NCA	FLOAT CHAMBER	1	
59	AUD2891	£12.00	BOLT, float chamber to body	1	



ill.	Part Number	Price Eea.	Description	Req.	Details
------	-------------	------------	-------------	------	---------

Engine Controls**Throttle Pedals & Control Cables**

1	AAA3722	NCA	PEDAL, throttle	1	RHD
	ACA5227	NCA	PEDAL, throttle	1	LHD
2	GPR105A	£1.87	PAD, pedal rubber	1	
3	AJD6108Z	£1.68	BOLT, pedal to bulkhead	2	
4	GHF331	£0.42	WASHER, spring	2	
5	135373	NCA	GUARD	1	
6	AJD6106Z	£2.15	BOLT	2	
7	GHF331	£0.42	WASHER, spring	2	
8	AJD8014Z	£0.34	NUT	2	
9	AAA1768	NCA	THROTTLE CABLE	1	to (c) 750469
	ACA8023	NCA	THROTTLE CABLE	1	from (c) 750470
	ACA8098	£4.60	THROTTLE CABLE	1	from (c) 918853
10	AAA1505	NCA	PEDESTAL, cable guide	1	original type
	AHH5308	£4.10	PEDESTAL, cable guide	1	alternative
11	ACA5073	£1.90	SEAL, cable pedestal	1	
12	PMZ306	£0.58	BOLT	2	
13	PWZ103	£0.24	WASHER, plain	2	
14	GHF206	£0.30	NUT	2	
15	ACA5101	NCA	CHOKE CABLE	1	to (c) 448714
	ACA5316	NCA	CHOKE CABLE	1	from (c) 448801
	ACA8019	£25.80	CHOKE CABLE	1	from (c) 750470
	ACA8227	£12.50	CHOKE CABLE	1	from (c) 1153739
16	ACA5354	NCA	TUBE, anti-rattle	1/2	qty. increased at (c) 482866

Throttle & Choke Controls (H1 803cc to (c) 448714)

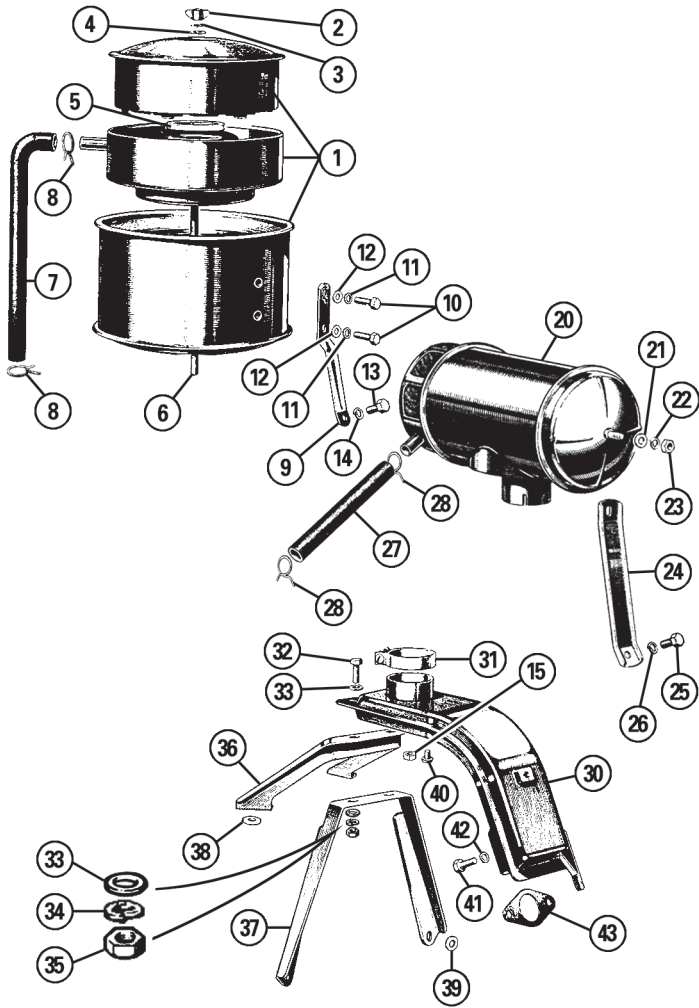
20	135809	NCA	SPRING, throttle return	1	
21	ACC5062	£4.00	PIN, cable end to levers	2	
22	GHF300	£0.24	WASHER, plain	2	
23	GHF200	£0.48	NUT	2	
24	12A4	£2.08	BRACKET, return spring	1	
25	PWZ203	£0.22	WASHER	1	
26	GHF501	£0.50	SPLIT PIN	2	

Throttle & Choke Controls (H2 948cc from (c) 448804 to 750469)

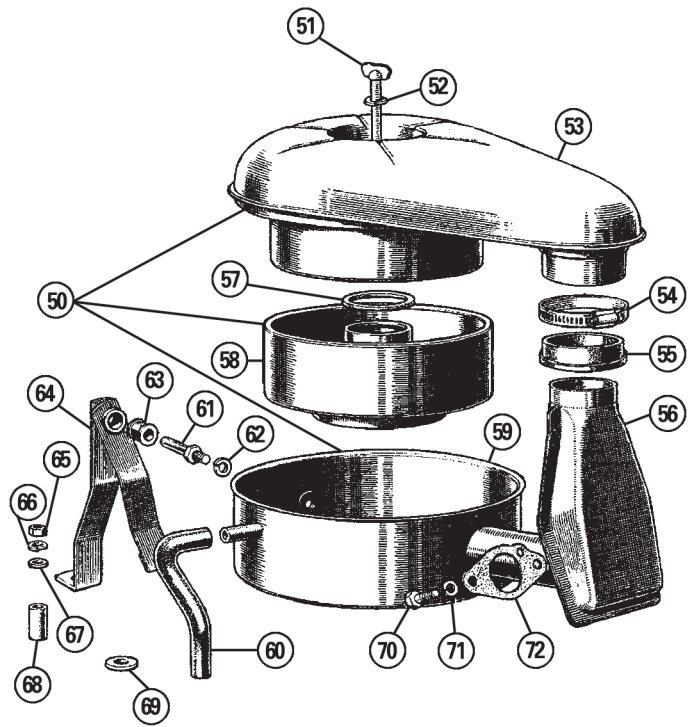
30	ACH8393	£3.70	SPRING, throttle return	1	
31	ACH8392	NCA	LEVER, throttle spring	1	
32	ACG5248	NCA	BOLT	1	
33	WL700101	£0.28	WASHER, spring	1	
34	FNZ103	£0.34	NUT	1	
35	ACC5062	£4.00	PIN, cable end to lever	2	
36	GHF300	£0.24	WASHER, plain	2	
37	GHF200	£0.48	NUT	2	
38	PWZ203	£0.22	WASHER	1	
39	GHF501	£0.50	SPLIT PIN	2	
40	ACA5123	NCA	BRACKET, throttle cable	1	from (c) 319429
	ACA5378	NCA	BRACKET, throttle cable	1	from (c) 448801 to (c) 750469
41	ACA5289	£6.50	TRUNNION, throttle cable	1	
42	AWZ104	£0.44	WASHER, wavy	1	
43	PWZ203	£0.22	WASHER, plain	1	
44	GHF500	£0.24	SPLIT PIN	2	

Throttle & Choke Controls (HS2 948 from (c) 750470 & 1098cc)

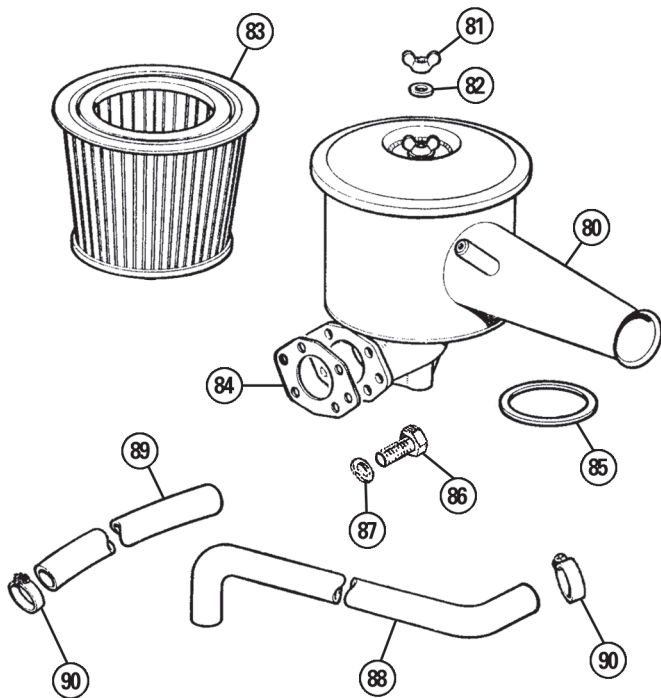
50	1E5537	£2.35	SPRING, throttle return	1	
51	ACC5062	£4.00	PIN, cable end to lever	2	
52	GHF300	£0.24	WASHER, plain	2	
53	GHF200	£0.48	NUT	2	
54	PWZ203	£0.22	WASHER	1	
55	GHF501	£0.50	SPLIT PIN	2	
56	12A353	NCA	BRACKET	1	
57	ACA5289	£6.50	TRUNNION, throttle cable	1	
58	AWZ104	£0.44	WASHER, wavy	1	
59	PWZ203	£0.22	WASHER, plain	1	
60	GHF500	£0.24	SPLIT PIN	2	



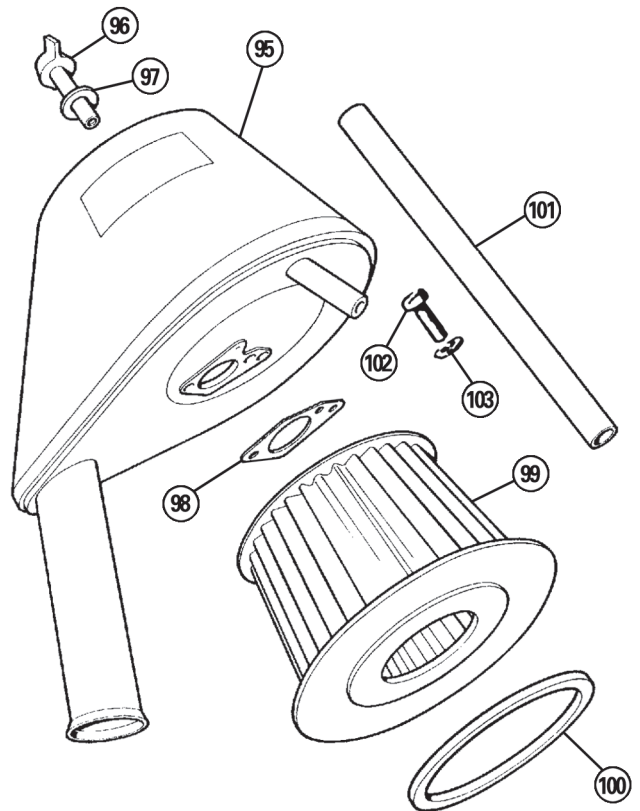
803cc Air Cleaners: Oil Bath & Gauze Types (to (c) 320829)



948cc Air Cleaner: Oil Bath Type (from (E) H101 to 720666)



948cc Air Cleaner: Paper Element Type (from (E) H720667 on)



1098cc Air Cleaner: Paper Element Type

Ill. Part Number Price Eea. Description Req. Details

Air Cleaners & Filters

803cc Air Cleaners: Oil Bath & Gauze Types (to (c) 320829)

1	185184	NCA	AIR CLEANER, oil bath type	1	
2	184825	NCA	WING NUT	1	
3	GHF331	£0.42	WASHER, spring	1	
4	GHF300	£0.24	WASHER, plain	1	
5	27H1283	NCA	SEAL	1	
6	184827	NCA	STUD	1	
7	185065	NCA	HOSE	1	export markets
8	ACA5290	£1.40	CLIP	4	
9	185029	NCA	BRACKET, cleaner steady	1	
10	320-960	£1.51	SCREW, bracket to cleaner	2	
11	GHF331	£0.42	WASHER, spring	2	
12	GHF300	£0.24	WASHER, plain	2	
13	SH605041	£0.46	SCREW, bracket to air pipe	1	
14	GHF332	£0.43	WASHER, spring	1	
15	JN2107	£0.46	NUT, locking	1	
20	185292	NCA	AIR CLEANER, gauze type	1	
21	WM57	£0.26	WASHER, plain	1	
22	GHF331	£0.42	WASHER, spring	1	
23	AJD8104	£0.56	NUT	1	UK market
24	185453	NCA	BRACKET, cleaner steady	1	
25	SH605041	£0.46	SCREW, bracket to air pipe	1	
26	GHF332	£0.43	WASHER, spring	1	
27	185375	NCA	HOSE	1	
28	ACA5290	£1.40	CLIP	4	
30	184695	NCA	PIPE, cleaner to carburettor	1	
31	185257	NCA	CLAMP, cleaner to pipe	1	
32	GHF117	£0.34	SCREW, pipe to bracket	2	
33	GHF300	£0.24	WASHER, plain	4	
34	GHF331	£0.42	WASHER, spring	2	
35	GHF200	£0.48	NUT	2	
36	185268	NCA	BRACKET, cleaner support	1	to rocker cover
37	185026	NCA	BRACKET, cleaner support	1	to manifold studs
38	GHF303	£0.34	WASHER, spacer	a/r	
39	GHF301	£0.10	WASHER, plain	2	
40	PMZ404	£1.18	SCREW, blanking	1	
41	SH605061	£0.24	SCREW, pipe to carburettor	2	
42	GHF332	£0.43	WASHER, locking	2	
43	ACA5071	£0.90	GASKET	1	

948cc Air Cleaner: Oil Bath Type (from (E) H101 to 720666)

50	17H495	NCA	AIR CLEANER ASSEMBLY	1	
51	17H344	NCA	WING BOLT	1	
52	7H1818	NCA	WASHER, spring	1	
53	17H830	NCA	COVER AND ELEMENT ASSEMBLY	1	
54	GHC11045	£4.00	CLIP	1	
55	ACH8490	£10.30	SLEEVE, rubber	1	
56	ACH8445	NCA	PIPE, cleaner to carburettor	1	
57	27H1283	NCA	GASKET	1	
58	AJH5130	NCA	CONTAINER, oil	1	
59	17H346	NCA	CHAMBER, silencer	1	
60	ACA5353	NCA	HOSE	1	
61	ACH8363	NCA	STUD	1	
62	GHF322	£0.24	WASHER, shake-proof	1	
63	ACH8364	NCA	BUSH	1	
64	ACA5350	NCA	BRACKET, cleaner support	1	
65	GHF201	£0.18	NUT	2	
66	GHF332	£0.43	WASHER, spring	2	
67	GHF301	£0.10	WASHER, plain	2	
68	ACH8516	NCA	ADAPTOR, to cylinder head	2	
69	GHF301	£0.10	WASHER, spacer	a/r	
70	SH605061	£0.24	SCREW, pipe to carburettor	2	
71	GHF332	£0.43	WASHER, locking	2	
72	ACA5071	£0.90	GASKET	1	

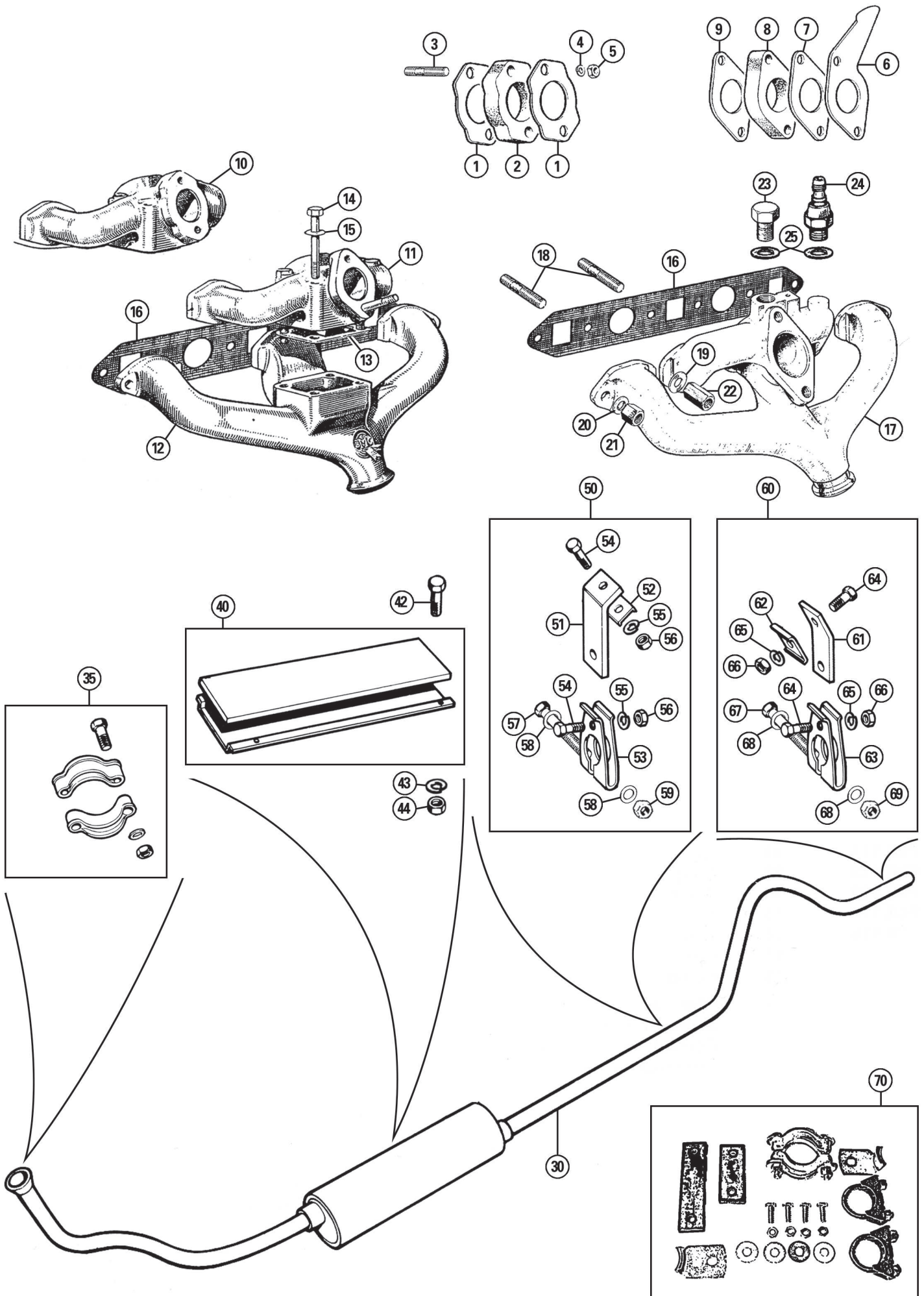
948cc Air Cleaner: Paper Element Type (from (E) H720667 on)

80	12A243	NCA	AIR CLEANER ASSEMBLY	1	
81	53K2852	£2.32	WING NUT	1	
82	WF509	£0.50	WASHER, fibre	1	
83	GFE1001	£7.00	ELEMENT, air filter	1	
84	ACA8014	£0.56	GASKET	1	
85	27H1283	NCA	SEAL	1	
86	SH605061	£0.24	SCREW, air cleaner to carburettor	2	
87	GHF332	£0.43	WASHER, locking	2	
88	ACA5524	£7.20	HOSE, air cleaner to rocker cover	1	
89	12H1653	£2.38	HOSE, air cleaner to carburettor	1	
90	GGT1117X	£1.66	CLIP, band type	2	

Ill. Part Number Price Eea. Description Req. Details

1098cc Air Cleaner: Paper Element Type

95	12G316	NCA	AIR CLEANER ASSEMBLY	1	
96	27H6983	NCA	WING NUT	1	
97	12A1436	£1.06	WASHER	1	
98	ACA8014	£0.56	GASKET	1	
99	GFE1001	£7.00	ELEMENT, air filter	1	
100	37H1169	NCA	SEAL	1	
101	12H1653	£2.38	HOSE, air cleaner to rocker cover	1	
102	SH605061	£0.24	SCREW, air cleaner to carburettor	2	
103	GHF332	£0.43	WASHER, locking	2	



ill.	Part Number	Price Eea.	Description	Req.	Details
Manifolds & Exhaust System					
Manifolds					
1	3H2687	£0.82	GASKET	a/r	H1 & H2 carburettors
2	3H2686	NCA	SPACER	1	H1 & H2 carburettors
3	CHS2616	£1.51	STUD, carb to manifold	2	
4	GHF333	£0.34	WASHER, spring	2	
5	GHF202	£0.36	NUT	2	
6	12A353	NCA	BRACKET	1	HS2 carburettors
7	1G2624	£0.95	GASKET	a/r	HS2 carburettors
8	AEA586	£25.10	SPACER	1	HS2 carburettors
10	2A540	NCA	MANIFOLD, inlet	1	803cc, H1 carburettors
11	2A718	NCA	MANIFOLD, inlet	1	948cc, H2 carburettors
12	2A102	NCA	MANIFOLD, exhaust	1	803-948cc
	2A102R	£73.50	MANIFOLD, inlet/exhaust, reconditioned	1	
13	2A106	£2.50	GASKET, inlet to exhaust manifold	1	803-948cc
14	BH604201	£0.77	BOLT, inlet to exhaust manifold	4	
15	GHF300	£0.24	WASHER, plain	4	
16	AJM601	£2.50	GASKET, manifold to head	1	
17	12A1097	NCA	MANIFOLD, inlet/exhaust	1	
	12A1097R	£73.50	MANIFOLD, inlet/exhaust, reconditioned	1	
18	FHS2513	£1.18	STUD, manifold to cylinder head	2	
19	12A1211	£0.96	WASHER, large, manifold fixing	4	
20	GHF301	£0.10	WASHER	2	
21	GHF261	£0.55	NUT, brass	6/2	use 2 for outer studs if long inner studs used
22	GHF261A	£2.60	NUT, brass, double length	4	easy fitting on 4 centre studs
23	ADP210	£6.70	PLUG, blanking	a/r	
24	ADU1402	£22.00	ADAPTOR, one way, servo take off	1	(This valve can be inserted to replace the blanking plug if a brake servo is being fitted).
25	AED172	£1.30	WASHER, copper	a/r	alternatives
	1B3664	£0.55	WASHER, fibre	a/r	

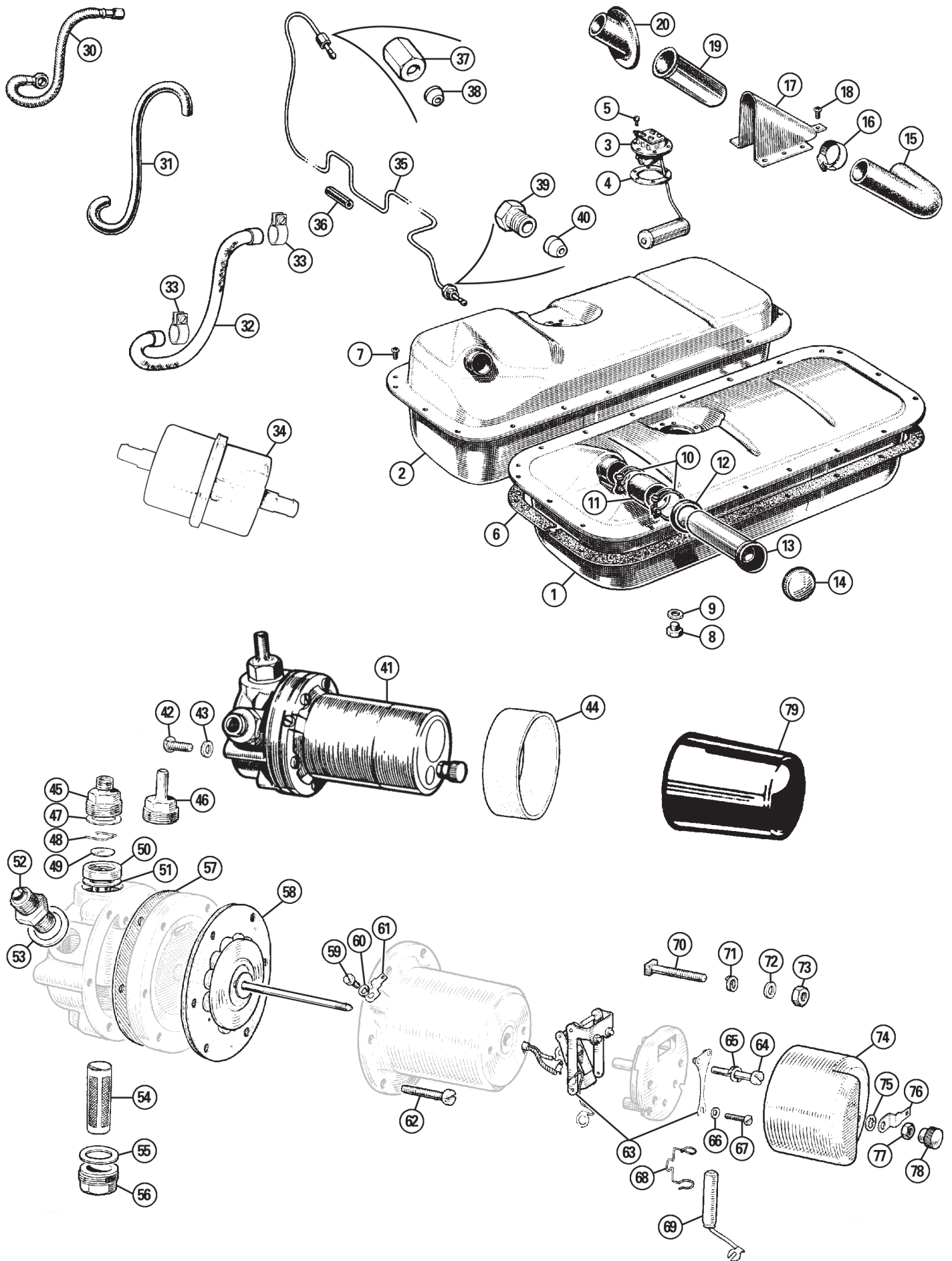
Exhaust System & Fitting

30	ARA16	NCA	EXHAUST SYSTEM, mild steel	1	to (c) 448800
	ARA16SS	NCA	EXHAUST SYSTEM, stainless steel	1	
	GEX113	£54.00	EXHAUST SYSTEM, mild steel	1	from (c) 448801
	GEX113SS	£222.00	EXHAUST SYSTEM, stainless steel	1	

Note: This is a full length system. This system can be difficult to fit without the use of a ramp to provide adequate room to pass the system over the axle, then up through the bulkhead.

	GEX2633	NCA	FRONT PIPE	1	
	ARA4	NCA	SILENCER	1	to (c) 283013
	GEX2331	NCA	SILENCER	1	from (c) 283014
	ACA5030	NCA	REAR PIPE	1	to (c) 283013
	ARA636	NCA	REAR PIPE	1	from (c) 283014
	GEX1352	NCA	REAR PIPE	1	from (c) 448801
35	GEX7046	£2.80	CLAMP, pipe to manifold, cast type	1	
	GEX7046Z	£2.80	CLAMP, pipe to manifold, pressed type	1	alternative
40	ACF5169K	£19.90	PLATE & INSULATOR KIT	1	
42	AJD1244Z	£0.59	BOLT	5/4	qty. reduced at
43	GHF331	£0.42	WASHER, locking	5/4	(c) 342857
44	AJD8012Z	£0.34	NUT	5/4	
50	GEX7226	£7.30	MOUNT KIT, front	1	
			(Includes items: 51, 52, 53, 54, 55, 56, 57, 58, 59. kit contains UNF threads).		
51	GEX7229	£2.50	STRAP, front	1	
52	GEX7510	£1.40	PLATE, strap support	2	
53	GEX7228	£1.99	CLIP	2	
54	AJD6106Z	£2.15	SCREW, 1/4" BSF	2	
	GHF117	£0.34	SCREW, 1/4" UNF	2	
55	GHF331	£0.42	WASHER, spring	2	
56	AJD8104	£0.56	NUT, 1/4" BSF	2	
	GHF200	£0.48	NUT, 1/4" UNF	2	
57	BH604181	£0.82	BOLT, clamping	1	
58	GHF300	£0.24	WASHER	1	
59	GHF200	£0.48	NUT	1	
60	GEX7227	£7.90	MOUNT KIT, rear	1	
			(Includes items: 61, 62, 63, 64, 65, 66, 67, 68, 69. Kit contains UNF threads).		
61	GEX7230	£1.99	STRAP, rear	1	
62	GEX7510	£1.40	PLATE, strap support	2	
63	GEX7228	£1.99	CLIP	2	
64	AJD6106Z	£2.15	SCREW, 1/4" BSF	2	
	GHF117	£0.34	SCREW, 1/4" UNF	2	
65	GHF331	£0.42	WASHER, spring	2	
66	AJD8104	£0.56	NUT, 1/4" BSF	2	
	GHF200	£0.48	NUT, 1/4" UNF	2	
67	BH604181	£0.82	BOLT, clamping	1	

ill.	Part Number	Price Eea.	Description	Req.	Details
68	GHF300	£0.24	WASHER	1	
69	GHF200	£0.48	NUT	1	
70	GEK1900	£7.80	FITTING KIT, exhaust	1	Saloon, Tourer & Traveller. Standard systems only
			(Uses U bolt clamps as alternative to original pressed clamps).		



ill.	Part Number	Price Eea.	Description	Req.	Details
Fuel System					
Fuel Tank & Filler Neck					
1	ARA22	NCA	FUEL TANK	1	to (c) 487047
2	ARA472	£294.00	FUEL TANK	1	from (c) 487048
3	135638	NCA	TANK UNIT, fuel gauge	1	to (c) 487047
	17H732	£71.30	TANK UNIT, fuel gauge	1	from (c) 487048
	ARP1222	£64.70	TANK UNIT, fuel gauge	1	from (c) 1082281
4	2H1082	£0.73	GASKET, tank unit	1	
	293-401	£4.60	Gasket Set, Viton	1	
5	53K165	£0.78	SCREW	6	
	323-728	£5.30	SCREW SET, tank sender	1	
6	128481	NCA	SEAL, tank to floor	2	
7	GHF423	£0.34	SCREW, tank mounting	18	
8	ARH672	£3.60	PLUG, tank drain	1	
9	ARA967	NCA	WASHER, sealing	1	
10	GHC11080	£4.30	CLIP, filler neck hose, band type	2	
	CS4042	£1.40	CLIP, filler neck hose, wire type	2	
11	AAA218	NCA	HOSE, tank filler	1	
12	AAA1422	£4.20	GROMMET, filler neck to body	1	all except Traveller
13	180590	NCA	NECK, tank filler	1	to (c) 487047
	ACG5293	NCA	NECK, tank filler	1	from (c) 487048
14	180592	NCA	FILLER CAP	1	to (c) 482059
	ACA5425	£12.30	FILLER CAP	1	from (c) 482060
15	ACA5065	NCA	HOSE, tank filler	1	
16	GHC11080	£4.30	CLIP, filler neck hose, band type	2	
	CS4042	£1.40	CLIP, filler neck hose, wire type	2	Traveller
17	ADA694	NCA	COVER, filler neck	1	
18	GHF425	£0.24	SCREW, cover to load floor	7	
19	180590	NCA	NECK, tank filler	1	to (c) 487047
	ACG5293	NCA	NECK, tank filler	1	from (c) 487048
20	AAA1391	£8.50	GROMMET, filler neck	1	

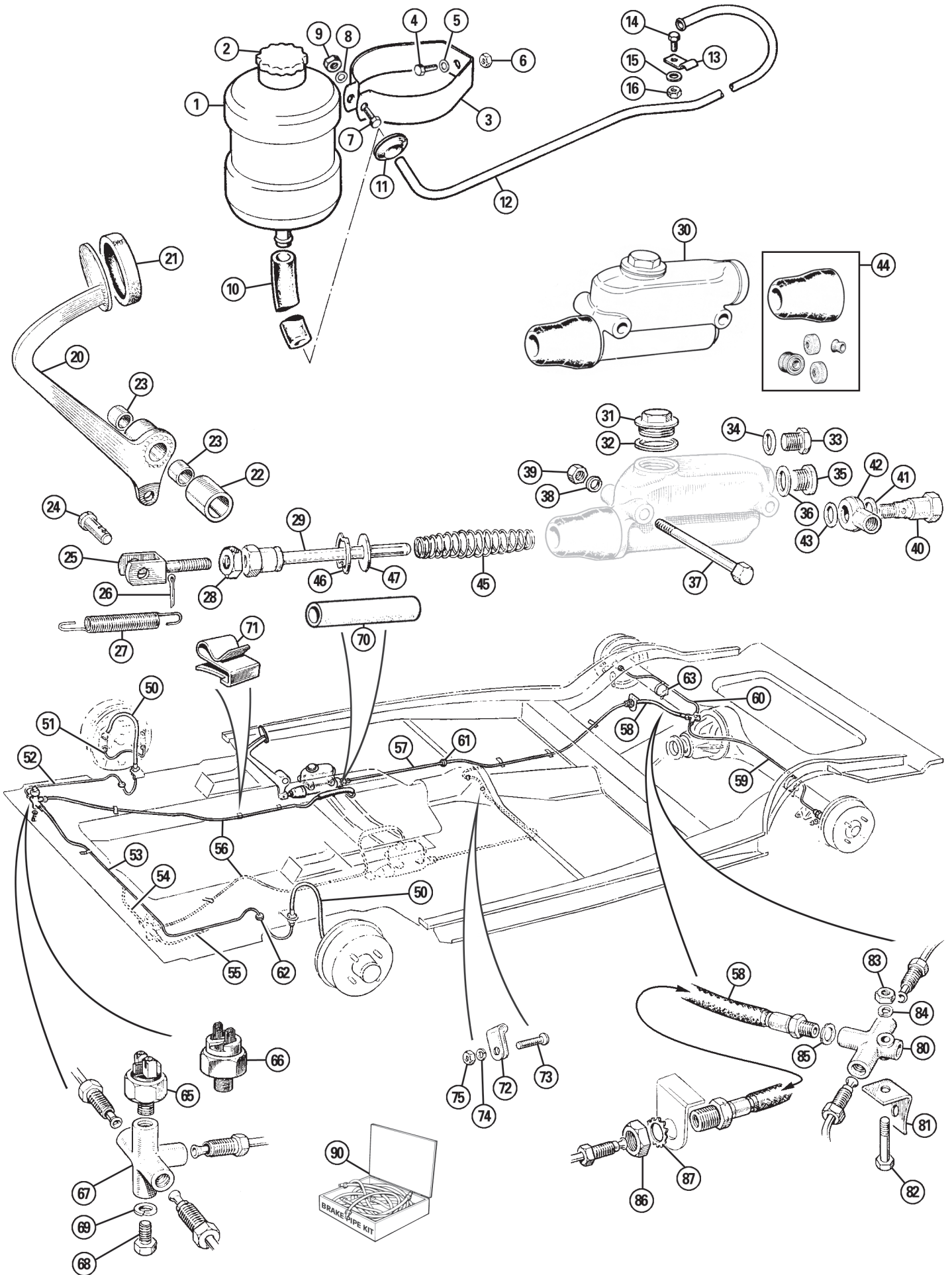
Fuel Line & Pumps

30	AAA526	£24.00	HOSE, pump to carburettor, banjo fitting	1	to (c) 476763
31	ACA5356	NCA	HOSE, pump to carburettor, push-on	1	from (c) 476764
32	ACA5520	£16.60	HOSE, pump to carburettor, push-on	1	from (c) 666690
	GGT107	£9.00	HOSE, pump to carb, 'Petroflex' push-on	1	
33	GGT1117X	£1.66	CLIP, fuel hose	2	
34	GFE7004	£3.10	FUEL FILTER	1	
35	AJD525	£52.20	PIPE, tank to pump	1	
36	ACA5431	NCA	SLEEVE, pipe protector	1	
37	ACA5399	NCA	NUT, pipe to pump	1	
38	TL8	£1.90	OLIVE	1	
39	ACA5128	£4.80	UNION, pipe to tank	1	
40	ACA5129	£3.90	NIPPLE, tank union	1	
41	AUA25	£168.00	FUEL PUMP, SU, screw unions	1	to (c) 476763
	AUA25EP	£187.00	FUEL PUMP, SU, electronic, positive earth	1	alternative
	AUA25EN	£187.00	FUEL PUMP, SU, electronic, negative earth	1	
	AUA66	£158.00	FUEL PUMP, SU, push-on outlet unions	1	from (c) 476764
	AUA66EP	£187.00	FUEL PUMP, SU, electronic, positive earth	1	alternative
	AUA66EN	£187.00	FUEL PUMP, SU, electronic, negative earth	1	

Note: These electronic pumps are externally identical to the original points operated type, but offer more reliable electronic operation. Available in positive (EP) or negative (EN) earth.

	AUA66Z	£82.40	FUEL PUMP, aftermarket	1	
42	AJD6155Z	£0.95	SCREW, pump to battery box, 1/4" BSF	2	SU pumps only
43	GHF331	£0.42	WASHER, locking	2	
44	AUA504	NCA	SLEEVE, rubber	1	
45	AUA1422	£15.60	UNION, outlet, screw-on	1	to (c) 476763
46	AUA1424	£10.90	UNION, outlet, push-on	1	from (c) 476764
47	AUA1442	£0.55	WASHER, sealing	2	
48	AUA840	NCA	SPRING CLIP	1	
49	AUA839	£2.30	VALVE, disc	2	
50	AUA1822	NCA	VALVE, cage	1	
51	AUA1479	£1.00	WASHER, sealing	1	
52	AUA887	£8.60	UNION, inlet, screw-on	1	
53	AUA1405	£1.00	WASHER, sealing	1	
54	AUA1464	£8.00	FILTER	1	
55	AUA1442	£0.55	WASHER, sealing	2	
56	AUA1421	NCA	PLUG, filter	1	
57	AUA4082	£1.45	GASKET	1	
58	WZX1710	£47.50	DIAPHRAGM KIT	1	shaft length 2 3/8"
	AUB6099	£46.10	DIAPHRAGM KIT	1	shaft length 2 15/16"
	AUB6082	£34.70	DIAPHRAGM KIT	1	replacement pumps manufactured after 1985
59	AUA699	£0.90	SCREW	1	
60	AUA585	NCA	WASHER, spring	1	
61	AUA692	£0.90	CONNECTOR, earth	1	
62	AUA4083	NCA	SCREW	6	
63	AUB6106A	£15.00	POINTS SET	1	
64	AUA1459	NCA	SCREW, pedestal to coil body	2	

ill.	Part Number	Price Eea.	Description	Req.	Details
65	AUA1863	NCA	WASHER, spring	2	
66	AUA566	NCA	WASHER, dished	1	
67	AUA565	NCA	SCREW, blade	1	
68	AUA5059	NCA	CLIP, condenser	1	
69	CZX1004	£10.20	DIODE, negative earth	1	
	CZX1005	NCA	DIODE, positive earth	1	
70	AUA1468	NCA	SCREW, terminal	1	
71	AUA1863	NCA	WASHER, spring	1	
72	AUA1662	NCA	WASHER, lead	1	
73	AUA1661	NCA	NUT, recessed	1	
74	AUA1466	£8.00	COVER	1	
75	WF702101	£0.40	WASHER, shake-proof	1	
76	AUA692	£0.90	CONNECTOR, feed	1	
77	311-255	£0.56	NUT	1	
78	AUA869	NCA	KNOB, terminal	1	
79	ACG5147	£10.30	COVER, rubber	1	



ill.	Part Number	Price Eea.	Description	Req.	Details
Brake Controls & Hydraulics					
Brake Reservoir					
1	83H537	NCA	RESERVOIR, brake	1	Benelux (c) 1192884-on
2	37H1677	NCA	CAP, reservoir	1	
3	ACA8232	NCA	BRACKET, reservoir	1	
4	SH604031	£1.45	SCREW, bracket to dash	1	
5	GHF331	£0.42	WASHER, spring	1	
6	GHF200	£0.48	NUT	1	
7	PMZ314	£0.34	SCREW, bracket	1	
8	WL700101	£0.28	WASHER, spring	1	
9	GHF206	£0.30	NUT	1	
10	BCA4950	NCA	HOSE, reservoir to pipe	1	
11	600395	£1.66	GROMMET	1	
12	ACA8233	NCA	PIPE	1	
13	BMK1703	NCA	CLIP	1	
14	PMZ308	£0.36	SCREW, clip	1	
15	WL700101	£0.28	WASHER, spring	1	
16	GHF206	£0.30	NUT	1	

Brake Pedals & Master Cylinder					
20	133575	NCA	PEDAL, brake	1	LHD to (c) 434583
	AAA1494	NCA	PEDAL, brake	1	RHD & all
					LHD from (c) 434584
21	ACA5359	£2.42	PAD, pedal rubber	1	
22	AAA1939	£5.80	SPACER	1	
23	AAA1423	£2.15	BUSH	2	
24	AAA1486	£1.55	CLEVIS PIN	1	
25	AAA414	£18.00	YOKE, pedal to pushrod (Includes lock nut, item 28).	1	
26	GHF501	£0.50	SPLIT PIN	1	
27	AAA599	£7.90	SPRING, pedal return	1	
28	AJD8205Z	£0.56	NUT, locking	1	
29	AAA413	£8.90	PUSHROD	1	
30	GMC115	£108.00	MASTER CYLINDER ASSEMBLY (Manufactured by Lockheed).	1	all models
31	180-250	£19.10	PLUG, filler	1	
32	180-220	£2.80	SEAL	1	
33	68625	NCA	PLUG, small	1	(1953-62)
34	11D5070	£2.05	GASKET, small	1	
35	7H7435	NCA	PLUG, large	1	(1962 on)
36	7H7436	NCA	GASKET, large	1	
37	AAA5984	£7.90	BOLT	2	
38	GHF333	£0.34	WASHER, spring	2	
39	AJD8106Z	£0.50	NUT	2	
40	27H7167	£19.00	BOLT, banjo	1	
41	3H550	£0.78	WASHER, copper	1	
42	27H7189	£30.80	BANJO	1	
43	233220A	£1.00	WASHER, copper	1	
44	180-900	£12.36	SEAL KIT, master cylinder	1	(1953-62)
	GRK1022	£15.60	SEAL KIT, master cylinder	1	(1962 on)
	GRK1022Z	£5.40	SEAL KIT, master cylinder, aftermarket	1	
45	AJH5083	£2.58	SPRING	1	
46	68623	NCA	CIRCLIP	1	(1953-62)
	15GR623	NCA	CIRCLIP	1	(1962 on)
47	7H7484	NCA	WASHER	1	(1953-62)
	15GR484	NCA	WASHER	1	(1962 on)

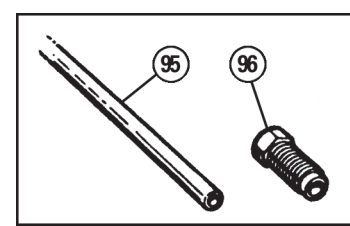
Brake Pipes, Hoses & Fittings					
50	17H7719	£9.90	BRAKE HOSE, front	2	to (c) 228266
	GBH108	£6.60	BRAKE HOSE, front	2	from (c) 228267
51	GPP12SS	£15.00	BRAKE PIPE, wheel cyl. bridge, 3/8" BSF	2	to (c) 228266 (This pipe has 3/8" BSF unions).
	GPP12AA	£15.00	BRAKE PIPE, wheel cyl. bridge, 3/8" UNF	2	from (c) 228267 (This pipe has 3/8" UNF unions).
52	GPP22SS	£12.70	BRAKE PIPE, front union to RH hose	1	RHD
53	GPP46SS	£15.00	BRAKE PIPE, front union to LH hose	1	
54	GPP46SS	£15.00	BRAKE PIPE, front union to RH hose	1	LHD
55	GPP22SS	£12.70	BRAKE PIPE, front union to LH hose	1	
56	GPP50SS	£17.90	BRAKE PIPE, master cylinder to front	1	3 way
57	GPP55SS	£17.90	BRAKE PIPE, master cylinder to rear hose	1	RHD
	GPP59SS	£17.90	BRAKE PIPE, master cylinder to rear hose	1	RHD commercial
	GPP68SS	£17.90	BRAKE PIPE, master cylinder to rear hose	1	LHD
58	17H7719	£9.90	BRAKE HOSE, rear, 3/8" BSF	1	
			(This pipe has 3/8" BSF unions).		
59	GPP30SS	£13.50	BRAKE PIPE, axle union to LH wheel cyl.	1	
60	GPP22SS	£12.70	BRAKE PIPE, axle union to RH wheel cyl.	1	

Note: All brake pipes are manufactured in copper, supplied cut to length & flared, with either BSF or UNF end fittings. UNF end fittings are only used on the wheel cylinder bridge pipes. All other body mounted pipes use BSF fittings. They must be bent to shape when fitting.

ill.	Part Number	Price Eea.	Description	Req.	Details
61	133288	NCA	GROMMET, through crossmember	1	
62	84739	NCA	GROMMET, through wheel arch	2	
63	ACH8650	£2.50	STRAP, pipe to axle, metal	2	
	GHF1268	£0.59	STRAP, pipe to axle, plastic cable tie	2	alternative
65	13H2303	£7.50	SWITCH, brake light, screw terminals	1	to (c) 990289
66	C16062A	£5.10	SWITCH, brake light, spade terminals	1	from (c) 990290
67	AAA424	£29.60	UNION, 5 way	1	
68	AJD6254Z	£1.68	BOLT	1	
69	GHF332	£0.43	WASHER, spring	1	
70	ACA5431	NCA	SLEEVE, pipe protector	1	
71	11K9181	£0.68	CLIP, pipe support	a/r	
72	PCR307	£1.34	CLIP	2	LHD
73	PMZ308	£0.36	SCREW	2	
74	WL700101	£0.28	WASHER, spring	2	
75	GHF206	£0.30	NUT	2	
80	27H7165	£30.60	UNION, 3 way, rear axle, BSF	1	
81	AJA5017	NCA	BRACKET	1	
82	AJD6112Z	£1.74	BOLT	1	
83	AJD8104	£0.56	NUT	1	
84	GHF331	£0.42	WASHER, spring	1	
85	233220A	£1.00	WASHER, sealing, copper	3	
86	2K8686	£1.49	NUT, brake hose	3	
87	WE600101	£0.59	WASHER, shake-proof	3	

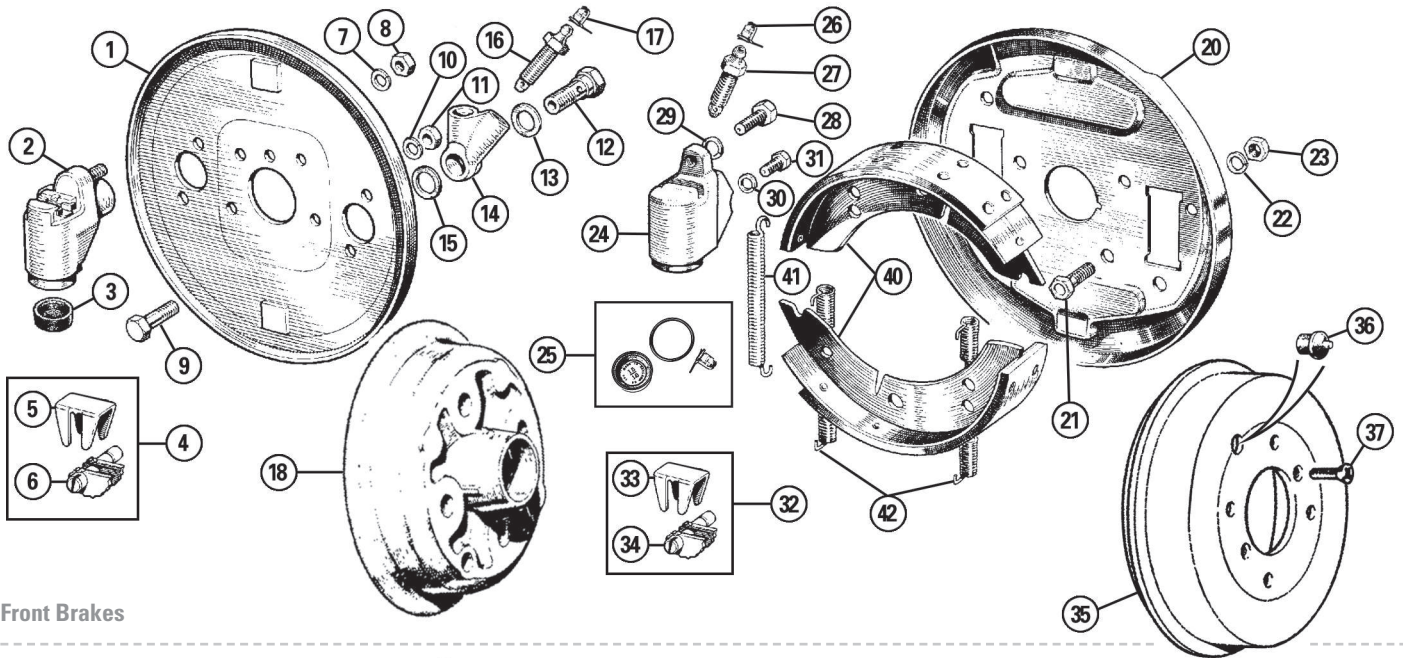
Brake Pipe Sets
Our brake pipe kit are manufactured in copper and supplied cut to length & flared, with end fittings. They must be bent to shape when fitting.

90	HGB5003	£94.80	BRAKE PIPE SET, copper	1	RHD
	HGL5003	£94.80	BRAKE PIPE SET, copper	1	LHD

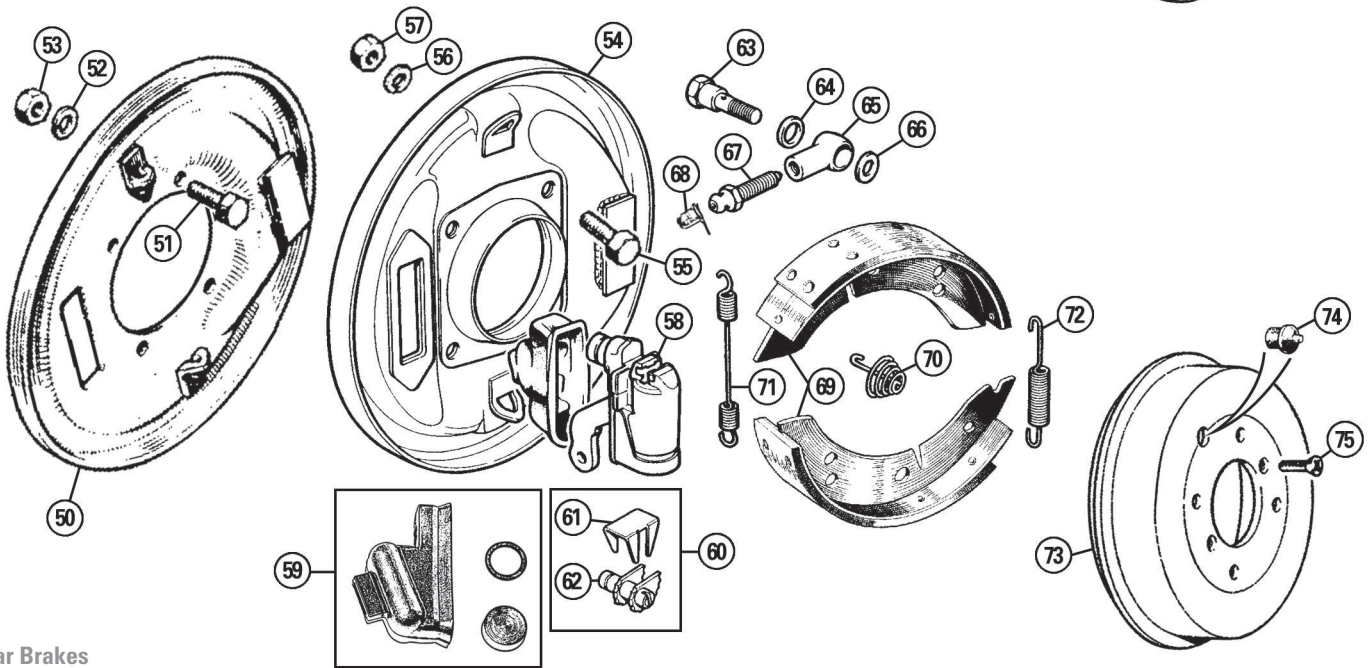


Brake Pipe & Fittings
Brake pipe and fittings are available to allow assembly of own pipes. Check thread of components before ordering pipe nuts. See our Restoration Tools catalogue for our range of brake pipe tools.

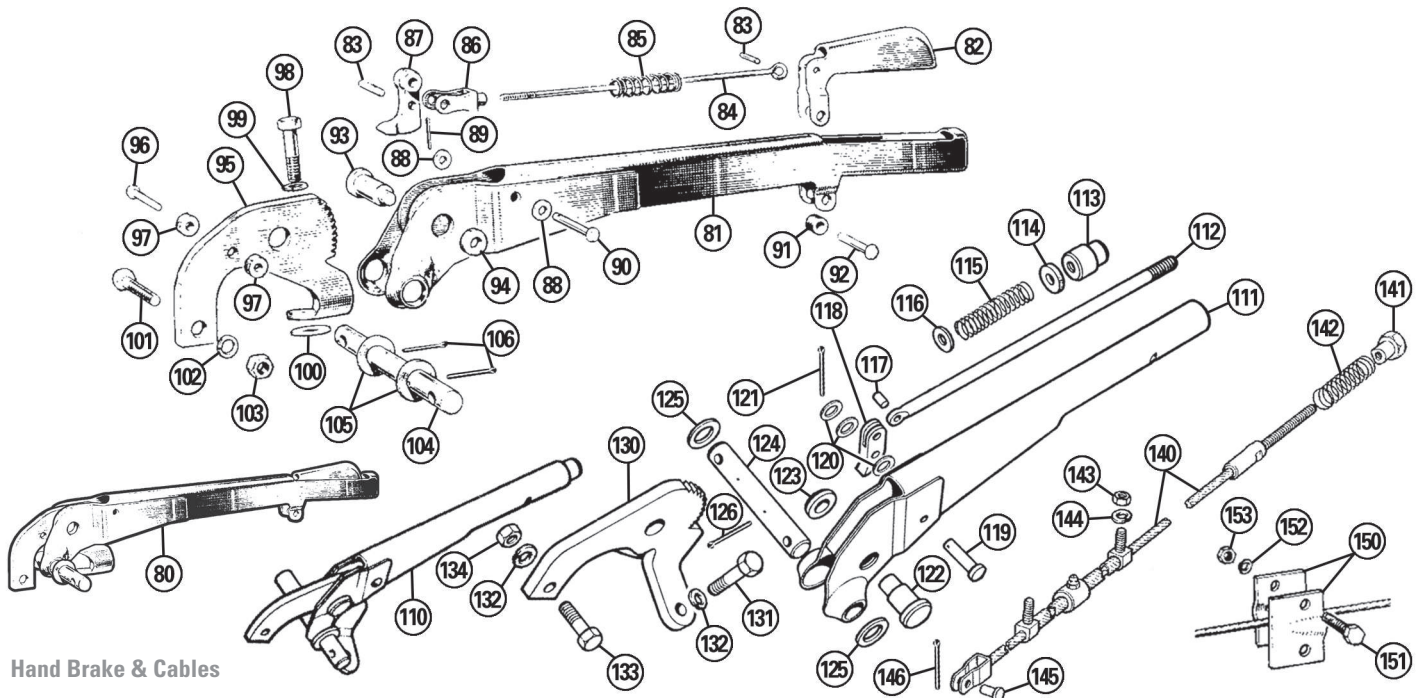
95	MPCP125	£24.80	BRAKE PIPE, copper, 25ft roll	a/r
	MPKF125	£29.50	BRAKE PIPE, kunifer, 25ft roll	a/r
96	AEHU3	£4.10	PIPE NUT, brass 3/8" BSF	a/r
	AEHU1	£2.00	PIPE NUT, brass, 3/8" UNF	a/r



Front Brakes



Rear Brakes



Hand Brake & Cables

ill. Part Number Price £ea. Description Req. Details

Front & Rear Brakes

Front Brakes: All Models (to (c) 228566)

1	68637	NCA	BACK PLATE, brake, RH	1	
	68638	NCA	BACK PLATE, brake, LH	1	
2	69107	NCA	WHEEL CYLINDER, RH	2	
	69108	NCA	WHEEL CYLINDER, LH	2	
3	7H7923	£2.80	SEAL, cup	4	
4	AAA423K	£26.50	ADJUSTER KIT	4	
5	AAA421	NCA	MASK, adjuster	4	
6	AAA423	£21.80	CAM, adjuster	4	
7	GHF331	£0.42	WASHER, spring	4	
8	7H7355	NCA	NUT, wheel cylinder	4	
9	129395	NCA	BOLT, back plate to swivel pin	8	
10	GHF332	£0.43	WASHER, spring	8	
11	AJD8105Z	£0.34	NUT	8	
12	7H7847	£6.80	BOLT, banjo	4	
13	3H550	£0.78	WASHER, sealing, copper	4	
14	180-691	NCA	CONNECTOR, banjo, RH front & LH rear	2	
	180-681	NCA	CONNECTOR, banjo, LH front & RH rear	2	
15	233220A	£1.00	WASHER, sealing, copper	4	
16	27H7166	£2.20	BLEED SCREW	2	
17	SMP100030	£1.00	DUST CAP, bleed nipple	4	
18	AAA1075	NCA	BRAKE DRUM	2	

Front Brakes: All Models (from (c) 228267)

20	68637	NCA	BACK PLATE, brake, RH	1	
	68638	NCA	BACK PLATE, brake, LH	1	
	ATA4036	NCA	BACK PLATE, brake, RH	1	803-948cc
	ATA4037	NCA	BACK PLATE, brake, LH	1	
	17H3733	NCA	BACK PLATE, brake, RH	1	1098cc
	17H3734	NCA	BACK PLATE, brake, LH	1	
21	129395	NCA	BOLT, back plate to swivel pin	8	803-948cc
	ATA4027	£2.27	BOLT, back plate to swivel pin	8	1098cc
22	GHF332	£0.43	WASHER, spring	8	
23	AJD8105Z	£0.34	NUT	8	803-948cc
	GHF201	£0.18	NUT	8	1098cc
24	GWC110	£27.20	WHEEL CYLINDER, front, RH	2	
	GWC110Z	£12.70	WHEEL CYLINDER, front, RH, aftermarket	2	
	GWC111	£27.20	WHEEL CYLINDER, front, LH	2	
	GWC111Z	£12.70	WHEEL CYLINDER, front, LH, aftermarket	2	
25	8G8245	£8.90	SEAL KIT, wheel cylinder	4	
	8G8245Z	£3.96	SEAL KIT, wheel cylinder, aftermarket	4	
26	SMP100030	£1.00	DUST CAP, bleed nipple	4	
27	3H2428	£1.30	BLEED SCREW	2	
28	SH605051	£1.07	SCREW, wheel cylinder to back plate	4	
29	GHF332	£0.43	WASHER, spring	4	
30	GHF331	£0.42	WASHER, spring	4	
31	7H7520	£3.30	SCREW, wheel cylinder to back plate	4	
32	AAA423K	£26.50	ADJUSTER KIT	4	
33	AAA421	NCA	MASK, adjuster	4	
34	AAA423	£21.80	CAM, adjuster	4	
35	2A7168	£16.50	BRAKE DRUM, 7"	2	803-948cc
	2A7168CG	£21.70	BRAKE DRUM, 7" Classic Gold	2	803-948cc
	ATA7154	£35.00	BRAKE DRUM, 8"	2	1098cc
36	2A7228	£1.60	PLUG, brake drum	2	
37	SF604051	£0.38	SCREW	4	

Brake Shoes & Springs: All Models

40	GBS704AF	£15.10	BRAKE SHOE SET, 7"	1	803-948cc
	GBS705	£22.80	BRAKE SHOE SET, 8"	1	1098cc
41	7H7519	£2.42	SPRING, shoe return	4	to (c) 228266
42	AAA4776	£3.80	SPRING, shoe return	4	803-948cc
	27H6555	£2.42	SPRING, shoe return	4	1098cc

Rear Brakes: All Models

50	300897	NCA	BACK PLATE, brake, RH	1	to (c) 228266
	300898	NCA	BACK PLATE, brake, LH	1	
51	BH605111	£1.00	BOLT	8	
52	GHF332	£0.43	WASHER, spring	8	
53	GHF222	£0.60	NUT	8	
54	ATA7076	NCA	BACK PLATE, brake, RH	1	from (c) 228267
	ATA7077	NCA	BACK PLATE, brake, LH	1	
55	SH605061	£0.24	BOLT	4	
56	GHF332	£0.43	WASHER, spring	8	
57	GHF201	£0.18	NUT	8	
58	GWC1111	£33.00	WHEEL CYLINDER	2	803-948cc
	GWC1111Z	£18.90	WHEEL CYLINDER, aftermarket	2	
	GWC1116	£28.40	WHEEL CYLINDER	2	1098cc
	GWC1116Z	£19.10	WHEEL CYLINDER, aftermarket	2	
59	8G8243	£7.10	SEAL KIT, wheel cylinder	2	803-948cc
	8G8771	£16.40	SEAL KIT, wheel cylinder	2	1098cc
60	AAA423K	£26.50	ADJUSTER KIT	4	
61	AAA421	NCA	MASK, adjuster	4	
62	AAA423	£21.80	CAM, adjuster	4	
63	27H7167	£19.00	BOLT, banjo	2	

ill. Part Number Price £ea. Description Req. Details

64	3H550	£0.78	WASHER, sealing, copper	2	
65	27H7189	£30.80	CONNECTOR, banjo	2	
66	233220A	£1.00	WASHER, sealing, copper	2	
67	27H7166	£2.20	BLEED SCREW	2	
68	SMP100030	£1.00	DUST CAP, bleed nipple	2	
69	GBS819AF	£19.20	BRAKE SHOES, set	1	
70	AAA4714	£2.60	SPRING, shoe steady	4	
71	68641	NCA	SPRING, shoe return	2	to (c) 228266
	AAA4778	£2.90	SPRING, shoe return	2	from (c) 228267
72	68647	NCA	SPRING, shoe tension	2	to (c) 228266
	AAA4777	£3.10	SPRING, shoe tension	2	from (c) 228267
73	2A7168	£16.50	BRAKE DRUM	2	
	2A7168CG	£21.70	BRAKE DRUM, Classic Gold	2	
74	ACA5070	NCA	DUST SEAL, brake drum, oval	4	
	ACA5102	NCA	DUST SEAL, brake drum, round	2	
	2A7228	£1.60	DUST SEAL, brake drum, round	2	
			(Replacement brake drums use 2A7228 dust seals).		
75	SF604051	£0.38	SCREW	4	

Handbrake & Cables

Handbrake Lever Series II (to (c) 448714)

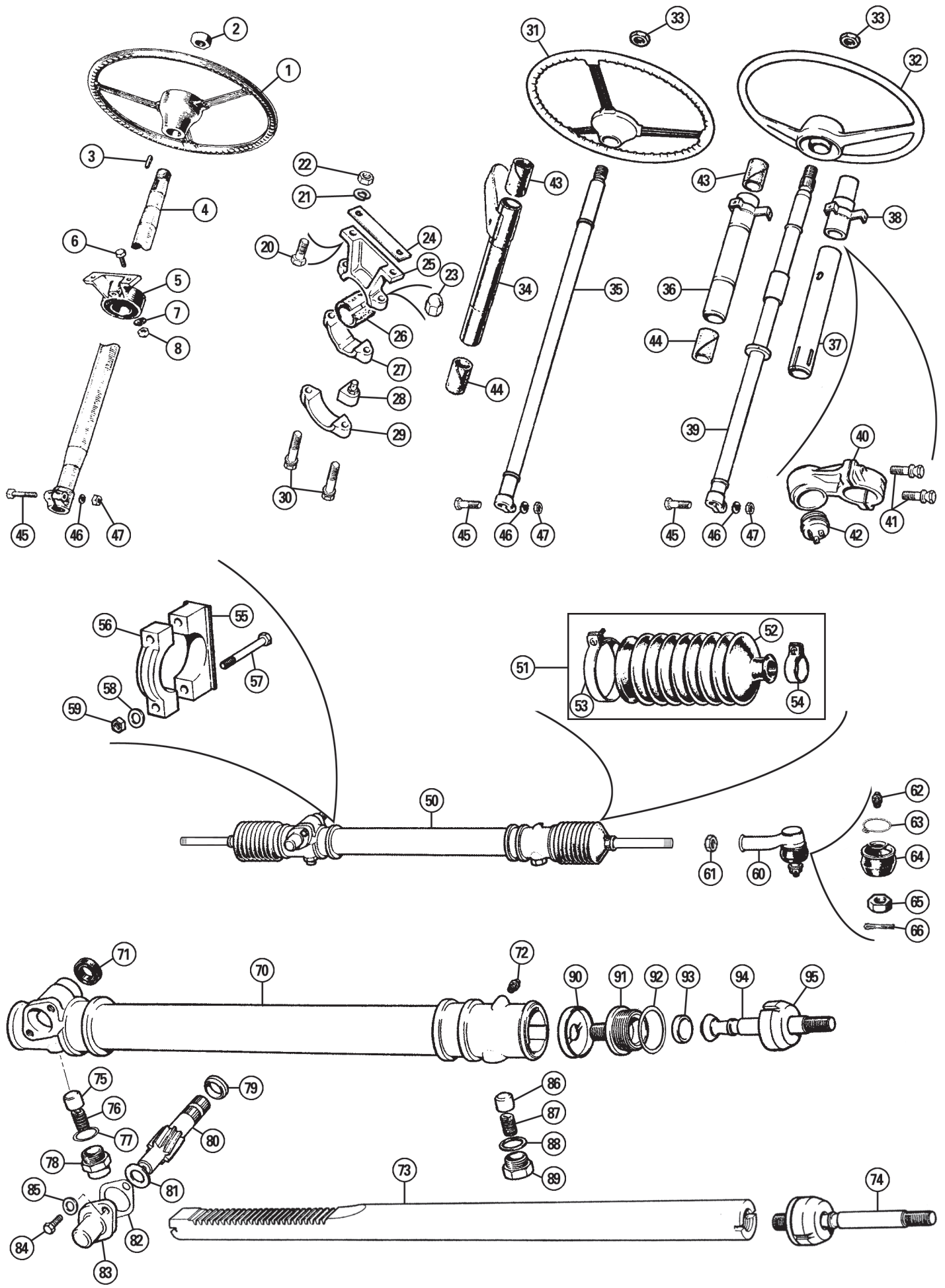
80	ACA5168	NCA	LEVER ASSEMBLY, handbrake	1	
81	AAA660	NCA	LEVER	1	
82	AAA717	NCA	TRIGGER	1	
83	AAA245	NCA	RIVET	2	
84	AAA287	NCA	ROD, ratchet release	1	
85	AAA816	NCA	SPRING	1	
86	95513	NCA	YOKE, rod end	1	
87	311-520	£6.10	PAWL	1	
88	GHF306	£0.34	WASHER	2	
89	GHF501	£0.50	SPLIT PIN	1	
90	RRS316	NCA	RIVET	1	
91	53700	NCA	SPACER, trigger pivot	1	
92	RRS310	NCA	RIVET	1	
93	ACA5357	NCA	PIN, lever pivot	1	
94	ACA5240	£3.50	WASHER, plain	1	
95	ACA5166	NCA	RATCHET	1	
96	RRS314	NCA	RIVET	1	
97	AAA623	NCA	WASHER	2	
98	320-370	£2.80	BOLT	1	
99	GHF332	£0.43	WASHER, spring	2	
100	PWZ206	£0.71	WASHER, plain	1	
101	320-370	£2.80	BOLT	1	
102	GHF332	£0.43	WASHER, spring	2	
103	AJD8105Z	£0.34	NUT	1	
104	AAA790	NCA	TRUNNION, lever to cables	1	
105	ACA5521	£1.66	WASHER, plain	2	
106	GHF501	£0.50	SPLIT PIN	2	

Handbrake Lever: 1000cc Models (from (c) 448801)

110	ACA5333	NCA	LEVER ASSEMBLY, handbrake	1	
	ACA8153	NCA	LEVER ASSEMBLY, handbrake	1	from (c) 990290
111	ACA5334	NCA	LEVER	1	
112	21G5044	NCA	ROD, ratchet release	1	
113	21G5043	NCA	KNOB, ratchet release	1	
114	21G5042	NCA	WASHER, anti-rattle, felt	1	
115	ACA5255	£6.80	SPRING	1	
116	ACA5417	NCA	WASHER	1	
117	CRS306	NCA	RIVET	1	
118	ACA5336	NCA	PAWL	1	
119	CLZ314	£1.60	CLEVIS PIN	1	
120	PWZ103	£0.24	WASHER	3	
121	GHF501	£0.50	SPLIT PIN	1	
122	ACA5357	NCA	PIN, lever pivot	1	
123	ACA5240	£3.50	WASHER, plain	1	
124	AAA790	NCA	TRUNNION, lever to cables	1	
125	95758	NCA	WASHER, plain	2	
126	GHF501	£0.50	SPLIT PIN	2	
130	ACA5335	NCA	RATCHET	1	
131	320-370	£2.80	BOLT	1	
132	GHF332	£0.43	WASHER, spring	2	
133	320-370	£2.80	BOLT	1	
134	AJD8105Z	£0.34	NUT	1	

Handbrake Cable: All Models

140	ACG5285	£9.70	HANDBRAKE CABLE	2	all Saloon & Traveller
	ACA5429	£12.60	HANDBRAKE CABLE	2	van & Pickup
141	311-520	£6.10	NUT, tension adjusting	2	
142	ACH8508	£2.50	SPRING, adjuster	2	
143	AJD8104	£0.56	NUT	1	
144	GHF331	£0.42	WASHER, spring	4	
145	ACB8715	£1.45	CLEVIS PIN	2	
146	GHF501	£0.50	SPLIT PIN	2	
150	ACA5522	£5.00	GUIDE, cable through floor	4	
151	AJD1022	£0.50	BOLT	4	
152	WL700101	£0.28	WASHER, spring	4	
153	AJD8012Z	£0.34	NUT	4	



ill. Part Number Price Eea. Description Req. Details

Steering Columns & Steering Racks

Steering Column (to (c) 448714)

1	128673	NCA	STEERING WHEEL	1	
2	ACA5291	NCA	NUT, steering wheel	1	
3	19835	NCA	KEY, steering wheel	1	
4	185045	NCA	COLUMN	1	
5	185046	NCA	BRACKET, column support	1	
6	320-360	£1.18	BOLT	2	
7	GHF332	£0.43	WASHER, spring	2	
8	AJD8105Z	£0.34	NUT	2	

Steering Column (from (c) 448801)

20	320-360	£1.18	BOLT	2	
21	GHF332	£0.43	WASHER, spring	2	
22	AJD8105Z	£0.34	NUT	2	
23	ACH6038	NCA	NUT, cap	2	
24	ACA5298	NCA	GASKET, packing	1	
25	ACA5294	NCA	BRACKET, column support	1	
26	ACA8115	NCA	SLEEVE	1	
27	ACA5295	NCA	CLAMP, column bracket	1	
28	ACA8116	NCA	CLAMP, column bracket	1	
29	ACA8118	NCA	CLAMP, column bracket	1	
30	SF604121	£0.80	SCREW	2	
31	ACA6009	NCA	STEERING WHEEL, wire spokes	1	from (c) 448801
32	ACA8195	NCA	STEERING WHEEL, plastic spokes	1	from (c) 1092770
33	ACH6001	£6.90	NUT, steering wheel	1	
34	ACA6013	NCA	TUBE ASSEMBLY, column outer	1	from (c) 448801
					to (c) 705621
	ACA6033	NCA	TUBE ASSEMBLY, column outer	1	from (c) 549923
					approx.
35	ACA6012	NCA	COLUMN, inner	1	from (c) 448801
					to (c) 705621
36	ACA6037	NCA	TUBE ASSEMBLY, column outer	1	from (c) 705662
					approx.
37	ACA8114	NCA	TUBE ASSEMBLY, column outer	1	with steering lock
38	ACA8113	NCA	BRACKET, indicator switch	1	
39	ACA6039	NCA	COLUMN, inner	1	from (c) 705622
					approx.
	ACA8085	NCA	COLUMN, inner, with steering lock	1	from (c) 962804
					approx.
40	BHA5215	£51.10	STEERING LOCK ASSEMBLY (Includes items: 41 & 42).	1	
41	51K4001	£5.10	BOLT, shear	2	
42	37H7708	£39.00	SWITCH, ignition	1	
43	AHA5893	£2.60	BUSH, felt, column, upper	1	
	GSV1095	£3.30	BUSH, nylon, column, upper	1	alternative
44	ACA5398	NCA	BUSH, felt, column, lower	1	from (c) 448801
	17H6565	£3.00	BUSH, felt, column, lower	1	from (c) 705662
45	AJD6111Z	£1.90	BOLT, column clamp, BSF	1	
	BH604111	£1.00	BOLT, column clamp, UNF	1	alternative
46	GHF331	£0.42	WASHER, spring	1	
47	AJD8104	£0.56	NUT, BSF	1	
	GHF200	£0.48	NUT, UNF	1	alternative

Steering Racks

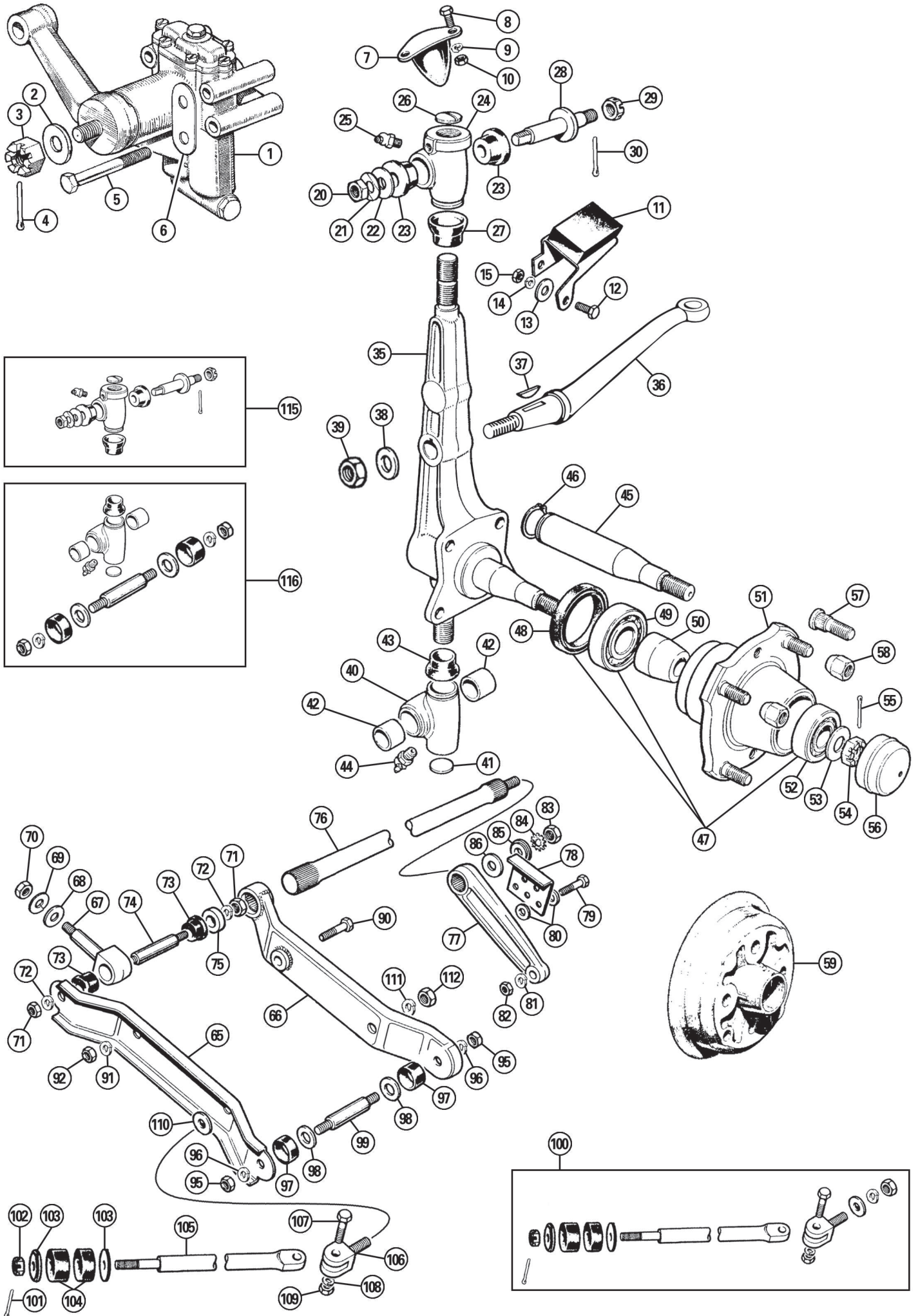
50	ACA6007	NCA	STEERING RACK, RHD	1	to (c) 567388
	ACA6007E	£79.30	STEERING RACK, RHD, recon./exch.	1	
	ACA6008	NCA	STEERING RACK, LHD	1	
	ACA6008E	£79.30	STEERING RACK, LHD, recon./exch.	1	
	ACG6009	£170.00	STEERING RACK, RHD	1	from (c) 567389
	ACG6009E	NCA	STEERING RACK, RHD, recon./exch.	1	
	ACG6010	£170.00	STEERING RACK, LHD	1	
	ACG6010E	NCA	STEERING RACK, LHD, recon./exch.	1	
51	ACA6029K	£9.10	GAITER KIT, steering rack, per end (1 gaiter & 2 clips, per rack end).	2	
	ACA6029KX2	£18.10	GAITER KIT, steering rack (2 gaiters & 4 clips, per rack).	1	
	ACA6029KZ	£10.20	GAITER KIT, steering rack, aftermarket (2 gaiters & 4 nylon ties, per rack).	1	
52	ACA6029	£7.80	GAITER, steering rack	2	
53	BMK924A	£1.78	CLIP, rack gaiter, large	2	
54	GGT1117X	NCA	CLIP, rack gaiter, small	2	
55	AAA1888	NCA	CLAMP BASE, rack mounting	2	
56	AAA1889	NCA	CLAMP CAP, rack mounting	2	
57	AJD6226Z	£3.30	BOLT	4	
58	GHF332	£0.43	WASHER, spring	4	
59	AJD8105Z	£0.34	NUT	4	
60	7H3682	£20.30	TRACK ROD END (Fits early racks with 9/16" tie rods).	2	to (c) 567388

ill. Part Number Price Eea. Description Req. Details

	GSJ169	£11.90	TRACK ROD END (Fits late racks with 5/8" tie rods).	2	from (c) 566389
	GSJ169Z	£9.60	TRACK ROD END, aftermarket	2	
61	311-560	NCA	LOCK NUT, 9/16"	2	for 7H3682
	NT610041	£1.16	LOCK NUT, 5/8"	2	for GSJ169
62	UHN305	£2.44	GREASE NIPPLE	3	
63	7H3565	£2.90	CLIP	2	
64	7H3762	£4.10	GAITER, track rod end, rubber	2	
65	NL607041	£1.90	NUT, castle head, 7/16" UNF	a/r	
	GHF274	£1.12	NUT, nyloc, 7/16" UNF	a/r	alternative

Note: New track rod ends are supplied with nyloc nuts.

66	GHF504	£0.24	SPLIT PIN	2	
70	ACA6019	NCA	HOUSING, steering rack, RHD	1	
	ACA6020	NCA	HOUSING, steering rack, LHD	1	
71	ACA5261	£2.32	SEAL, pinion	1	
72	UHN305	£2.44	GREASE NIPPLE	3	
73	ACA6026	NCA	RACK BAR	1	
74	ACA6018	NCA	BALL PIN KIT	2	from (c) 566384
					approx.
75	ACA5244	NCA	DAMPER PAD, pinion housing	1	
76	ACA5248	£12.50	SPRING, pinion housing	1	
77	ACA5249	£3.60	SHIM, damper, pinion housing, 0.003"	a/r	
	ACA5275	NCA	SHIM, damper, pinion housing, 0.010"	a/r	
78	ACA5245	£28.20	CAP	1	
79	ACA5257	£2.80	THRUST WASHER, upper	1	
80	ACA6027	£19.30	STEERING PINION, RHD	1	
	ACA6028	NCA	STEERING PINION, LHD	1	
81	ACA5258	NCA	THRUST WASHER, lower	1	
82	ACA5259	NCA	SHIM, 0.003"	a/r	
	ACA5260	NCA	SHIM, 0.005"	a/r	
	ACA5320	NCA	SHIM, 0.0010"	a/r	
83	ACA5307	NCA	BEARING, pinion tail	1	
84	AJD6155Z	£0.95	SCREW, bearing to rack housing	2	
85	GHF331	£0.42	WASHER, spring	2	
86	ACA5284	£4.80	DAMPER PAD, secondary	1	
87	ACA5286	NCA	SPRING, secondary	1	
88	ACA5283	NCA	WASHER, sealing, secondary	1	
89	ACA5285	£8.20	CAP, secondary	1	
90	ACA5247	£5.90	LOCK TAB, tie rod	2	
91	ACA6031	£44.80	HOUSING, ball, male	2	
92	ACA6017	NCA	SHIM, ball seat, 0.002"	a/r	
	ACA5301	NCA	SHIM, ball seat, 0.003"	a/r	
	ACA5302	NCA	SHIM, ball seat, 0.005"	a/r	
	ACA5303	NCA	SHIM, ball seat, 0.010"	a/r	
93	ACA5246	£15.70	SEAT, ball	2	
94	ACA5262	NCA	TIE ROD, 9/16" diameter	2	to (c) 567388NCA
	ACA6015	NCA	TIE ROD, 5/8" diameter	2	from (c) 567389
95	ACA5304	£51.80	HOUSING, ball, female	2	



iii. Part Number Price Eea. Description Req. Details

Front Suspension

Dampers & Bump Stops

1	GSA112	NCA	DAMPER, RH	1	
	GSA112E	£70.00	DAMPER, RH, recon./exchange	1	
	GSA113	NCA	DAMPER, LH	1	
	GSA113E	£70.00	DAMPER, LH, recon./exchange	1	
2	WB116101	NCA	WASHER	2	
3	311-370	£10.00	NUT	2	
4	GHF504	£0.24	SPLIT PIN	2	
5	AAA4007	£7.10	BOLT, damper to bulkhead	8	
6	ACA5288	NCA	PLATE, locking	4	
7	AAA1414	£5.80	BUMP STOP, LH	1	
	AAA1413	£5.80	BUMP STOP, RH	1	
8	320-960	£1.51	BOLT	4	
9	GHF331	£0.42	WASHER, spring	4	
10	AJD8104	£0.56	NUT	4	
11	AAA1580	£8.10	BUFFER, rebound	2	
12	AJD6155Z	£0.95	BOLT	6	
13	PWZ304	NCA	WASHER	6	
14	GHF331	£0.42	WASHER, spring	6	
15	AJD8104	£0.56	NUT	6	

Swivel Pins, Trunnions & Hubs

20	FNZ508	£1.56	NUT	2	
21	ACA5277	£9.80	LOCKTAB	2	
22	ACA5278	NCA	WASHER, bush support	2	
23	ACA5282	£1.45	BUSH, upper trunnion	4	
	ACA5282SPK	£22.20	BUSH KIT, upper trunnion, polyurethane (Kit includes: 4 bushes for front suspension only).	1	uprated alternative
24	AAA3680	NCA	TRUNNION, upper, RH	1	only available in
	AAA3681	NCA	TRUNNION, upper, LH	1	upper trunnion kits
25	LN30041	£1.36	GREASE NIPPLE	4	
26	ACA4011	NCA	PLUG, top trunnion	2	
27	ACA4012	£1.90	SEAL, grease ring	2	
28	AAA3653	NCA	PIVOT PIN, upper trunnion	2	only available in upper trunnion kits
29	AJD8408Z	£2.05	NUT	2	
30	GHF503	£0.34	SPLIT PIN	2	
35	181989	NCA	SWIVEL PIN, RH	1	to (c) 228266
	181990	NCA	SWIVEL PIN, LH	1	to (c) 228266
	ATA4078	£118.10	SWIVEL PIN, RH	1	from (c) 228267
	ATA4079	£118.10	SWIVEL PIN, LH	1	from (c) 228267
36	ATA4028	NCA	STEERING ARM, RH	1	to (c) 750540
	ATA4029	NCA	STEERING ARM, LH	1	to (c) 750540
	BTA106	£34.90	STEERING ARM, RH	1	from (c) 750541
	BTA107	£34.90	STEERING ARM, LH	1	from (c) 750541
37	WKN405	£1.12	KEY, steering arm	2	
38	GHF304	£0.37	WASHER, plain	2	
39	LNZ108	£2.10	NUT, locking, Aero	2	alternatives
	GHF225	£0.82	NUT, Nylco	2	
40	BTA722	NCA	TRUNNION, lower, RH	1	only available in
	BTA723	NCA	TRUNNION, lower, LH	1	lower trunnion kits
41	ACA4010	NCA	PLUG, lower trunnion	1	
42	ACA4009	NCA	BUSH	4	
43	ACA4012	£1.90	SEAL, grease ring	4	
44	LN30041	£1.36	GREASE NIPPLE	4	
45	183778	NCA	STUB AXLE, RH	1	to (c) 228266
	183779	NCA	STUB AXLE, LH	1	to (c) 228266
	ATA4024	NCA	STUB AXLE, RH	1	from (c) 228267
	ATA4025	NCA	STUB AXLE, LH	1	from (c) 228267
46	127907	NCA	CIRCLIP	2	to (c) 228266
	ATA4026	NCA	CIRCLIP	2	from (c) 228267
47	GHK1142	£14.10	WHEEL BEARING KIT (Includes 2 bearings & 1 oil seal).	2	
	GHK1142X	£31.00	WHEEL BEARING KIT, tapered roller (Includes 2 bearings & 1 oil seal).	2	from (c) 228267
48	GHS227	£1.66	OIL SEAL	2	
49	157732	£11.40	WHEEL BEARING, inner	2	to (c) 228266
	GHB129	£13.80	WHEEL BEARING, inner	2	from (c) 228267
	GHB129T	£17.90	WHEEL BEARING, inner, tapered roller	2	
50	127919	NCA	SPACER	2	to (c) 228268
	88G321	£7.00	SPACER	2	from (c) 228267
51	ATA4128	NCA	HUB	2	from (c) 228267
52	6K803	£15.40	WHEEL BEARING, outer	2	to (c) 228266
	GHB128	£12.60	WHEEL BEARING, outer	2	from (c) 228267
	GHB128T	£16.70	WHEEL BEARING, outer, tapered roller	2	
53	183780	NCA	WASHER	2	to (c) 228266
	ATA4034	£3.90	WASHER	2	from (c) 228267
54	311-370	£10.00	NUT, hub, RH thread	1	to (c) 228266
	51K328	£3.20	NUT, hub, RH thread	1	from (c) 228267
	311-380	£15.40	NUT, hub, LH thread	1	to (c) 228266
	51K1171	NCA	NUT, hub, LH thread	1	from (c) 228267
55	GHF504	£0.24	SPLIT PIN	2	
56	139288	NCA	CAP	2	from (c) 228267
	2A4067	£7.40	CAP	2	to (c) 228266
57	2A4066	£2.90	STUD, wheel	8	from (c) 228267
58	88G577	£2.60	WHEEL NUT	8	
59	183061	NCA	HUB AND BRAKE DRUM	2	to (c) 228266

iii. Part Number Price Eea. Description Req. Details

Lower Arms & Torsion Bars

65	ACA4001	£20.00	LOWER ARM, front	2	
66	ACA4002	NCA	LOWER ARM, rear	2	
67	ACA8249	£23.90	EYEBOLT, inner fulcrum	2	
68	ACA5253	NCA	WASHER, camber adjusting, thick	a/r	
	ACA5268	NCA	WASHER, camber adjusting, thin	a/r	
69	WL600091	NCA	WASHER, spring	2	
70	309-010	£2.20	NUT	2	
71	AJD8106Z	£0.50	NUT	4	
72	GHF333	£0.34	WASHER, spring	4	
73	ACA5242	£0.77	BUSH, lower/inner, rubber	4	
	ACA5242SPKF	£16.60	BUSH KIT, lower/inner, polyurethane (Kit includes: 4 bushes for front suspension only).	1	uprated alternative
74	AAA1407	£4.90	FULCRUM PIN, lower/inner	2	
75	ACA5263	NCA	SPIGOT, rear pivot	2	
76	AAA1482	NCA	TORSION BAR	2	
77	AAA1483	NCA	LEVER, torsion bar	2	
78	AAA1852	NCA	PLATE, adjuster	2	
79	AJD6310Z	£2.20	BOLT	2	
80	AJD7162	£0.54	WASHER, plain	4	
81	GHF333	£0.34	WASHER, spring	4	
82	AJD8106Z	£0.50	NUT	4	
83	FNZ508	£1.56	NUT	2	
84	WE600081	£0.44	WASHER, shake-proof	2	
85	AAA1485	£5.60	WASHER, locating	2	
86	AAA1484	£7.70	WASHER	2	
90	AJD6309Z	£2.90	BOLT	2	
91	GHF333	£0.34	WASHER, spring	4	
92	AJD8106Z	£0.50	NUT, 3/8" BSF	4	
95	AJD8106Z	£0.50	NUT, 5/16" BSF (Use with original fulcrum pins).	4	original
	GHF202	£0.36	NUT, 5/16" UNF (Use with remanufactured fulcrum pins).	4	alternative
96	GHF333	£0.34	WASHER, spring	4	
97	ACA5281	£1.60	SEALING RING	4	
98	ACA5280	£2.38	THRUST WASHER	4	
99	AAA1481	NCA	FULCRUM PIN, lower/outer, 3/8" BSF (Original with BSF threads - use with item 95, Part No: AJD8106Z).	4	original
	21G4002	£8.60	FULCRUM PIN, lower/outer, 3/8" UNF (Replacement item with UNF threads - use with item 95, Part No: GHF202).	4	alternative

Tie Rod

100	8G4247	£56.10	TIE ROD KIT, one side	2	
101	GHF503	£0.34	SPLIT PIN	2	
102	AJD8406Z	£1.55	NUT, castle	2	
103	ACA5265	£1.84	WASHER	4	
104	ACA5264	£1.58	BUSH, rubber	4	
	ACA5264SPK	£17.50	BUSH KIT, polyurethane (Kit includes: 4 bushes).	1	uprated alternative
105	AAA1529	£33.60	TIE ROD	2	
106	AAA2082	£28.40	FORK, tie rod to lower arm	2	
107	AAA2084	NCA	BOLT, 5/16" BSF, tie bar	2	original
	21G4009	£1.36	BOLT, 5/16" UNF, tie bar	2	alternative
108	GHF332	£0.43	WASHER, spring	2	
109	AJD8105Z	£0.34	NUT, 5/16" BSF	2	original
	GHF201	£0.18	NUT, 5/16" UNF	2	alternative
110	ACA5279	£3.50	WASHER	2	
111	GHF334	£0.78	WASHER, spring	2	
112	AAA2083	£5.50	NUT	2	

Trunnion Rebuild Kits

115	18G8996	£58.40	TRUNNION KIT, upper, RH	1	
	18G8997	£58.40	TRUNNION KIT, upper, LH (Includes items: 20, 21, 22, 23, 24, 25, 26, 27, 28, 29 & 30).	1	
116	18G8998	£47.40	TRUNNION KIT, lower, RH	1	
	18G8999	£47.40	TRUNNION KIT, lower, LH (Includes items: 40, 41, 42, 43, 44, 95, 96, 97, 98 & 99).	1	

Shock Absorber Oil

Dynolite 'Shock Oil'

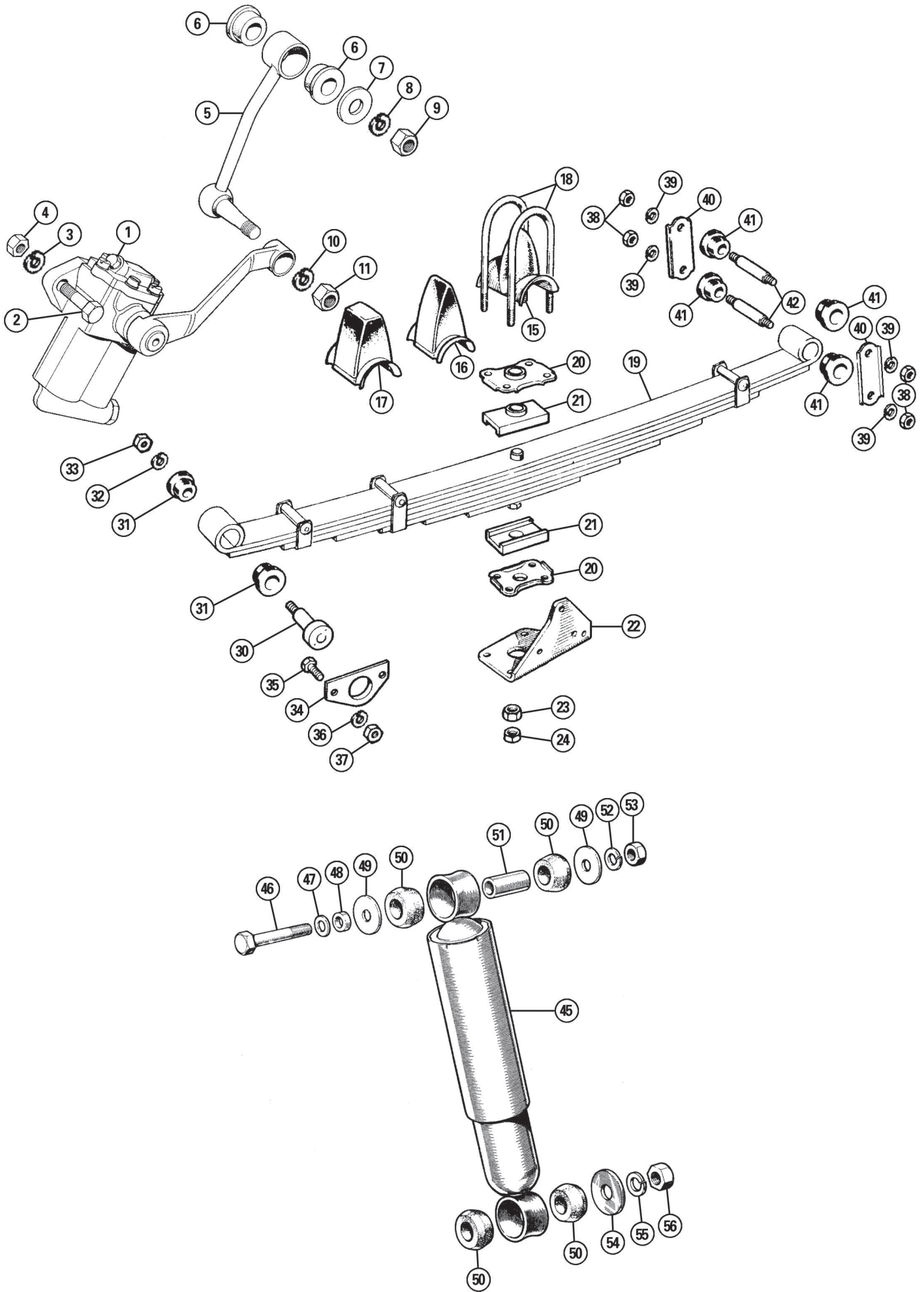
Designed for use in lever arm and vane type shock absorbers. Shock oil is suitable for normal use in Armstrong lever arm dampers.

GGL832110	£8.20	SHOCK OIL, 1 litre	a/r
-----------	-------	--------------------	-----

Moss Shock Absorber Oil

This oil is custom blended for use in all Girling and Armstrong lever arm shock absorbers.

AAA149M	£16.90	SHOCK ABSORBER OIL, 16 fl oz	a/r
---------	--------	------------------------------	-----



ill.	Part Number	Price Eea.	Description	Req.	Details
Rear Suspension					
Rear Dampers: Saloon & Traveller Models					
1	AJA5078	NCA	DAMPER, RH	1	to (c) 240670
	AJA5078E	£77.10	DAMPER, RH, recon./exchange	1	
	AJA5079	NCA	DAMPER, LH	1	
	AJA5079E	£77.10	DAMPER, LH, recon./exchange	1	
	GSA337	£149.20	DAMPER, RH	1	from (c) 240671
	GSA337E	£87.50	DAMPER, RH, recon./exchange	1	
	GSA338	£149.20	DAMPER, LH	1	
	GSA338E	£87.50	DAMPER, LH, recon./exchange	1	
2	AJD6310Z	£2.20	BOLT, 3/8" BSF, damper to axle plate	4	
	BH606101	£1.06	BOLT, 3/8" UNF, damper to axle plate	4	alternative
3	GHF333	£0.34	WASHER, spring	4	
4	AJD8106Z	£0.50	NUT, 3/8" BSF	4	
	GHF202	£0.36	NUT, 3/8" UNF	4	alternative
5	AAA173	NCA	LINK	2	to (c) 217204
	BMH2289	£18.70	LINK	2	from (c) 217205
6	ACA5252	£0.89	BUSH, link to chassis, rubber	4	
	ACA5252SP	NCA	BUSH, link to chassis, polyurethane	4	uprated alternative
7	PWZ206	£0.71	WASHER	2	
8	GHF333	£0.34	WASHER, spring	2	
9	AJD8406Z	£1.55	NUT, link to chassis	2	
10	GHF333	£0.34	WASHER, spring	2	
11	AJD8106Z	£0.50	NUT, link to damper arm	2	
15	84349	NCA	BUMP STOP	2	to (c) 217204
					axle case 301546
16	ACA5052	£7.70	BUMP STOP	2	from (c) 217205
					axle case ATA7213
17	21G5162	NCA	BUMP STOP	2	from (c) 584312
					axle case BTA610
18	ACA5497	£3.70	U BOLT, spring to axle	4	5 leaf springs
	AAA4047	£3.70	U BOLT, spring to axle	4	7 leaf springs
19	127825	NCA	ROAD SPRING	2	to (c) 217204
	ACA5016	NCA	ROAD SPRING	2	7 leaf, from (c) 217204
					to (c) 680463
	ACA5488	£59.60	ROAD SPRING	2	5 leaf, from (c)
					680464
	ACA5066	£66.70	ROAD SPRING	2	7 leaf, Traveller
20	ACA5139	£3.50	PLATE, axle locating	4	
21	ACA5138	£1.60	PAD, spring, rubber	4	
	ACA5138SPK	£48.50	PAD KIT, spring, polyurethane (Kit includes: 4 spring pads)	1	uprated alternative
22	ACA5266	NCA	BRACKET, damper mounting, RH	1	Saloon, Tourer
	ACA5267	NCA	BRACKET, damper mounting, LH	1	& Traveller
	AAA3631	NCA	BRACKET, damper mounting, RH	1	Commercial
	AAA3632	NCA	BRACKET, damper mounting, LH	1	
23	AJD8106Z	£0.50	NUT, U bolt	8	
24	AJD8206Z	£0.80	NUT, locking	8	
30	ACA5305	£5.40	PIN, front spring eye	2	to (c) 479592
	ACH5180	£8.50	PIN, front spring eye	2	from (c) 479593
31	ACA5242	£0.77	BUSH, rubber	4	standard
	ACA5242SPKR	£44.80	BUSH KIT, polyurethane (Kit includes: 12 bushes for rear spring and shackle only).	1	uprated alternative Saloon, Tourer & Traveller
	AAA3627SPK	£27.00	BUSH KIT, polyurethane (Kit includes: 4 bushes).	1	uprated alternative Van & Pickup
32	GHF333	£0.34	WASHER, spring	2	
33	GHF202	£0.36	NUT	2	
34	ACA5271	£7.10	PLATE, front pin	2	
35	AJD6106Z	£2.15	BOLT	4	
36	GHF331	£0.42	WASHER, spring	4	
37	AJD8104	£0.56	NUT	4	
38	AJD8106Z	£0.50	NUT, 3/8" BSF	8	
39	GHF333	£0.34	WASHER, spring	8	
40	ACA5251	£3.60	PLATE, rear shackle	4	
41	ACA5242	£0.77	BUSH, rubber	8/4	standard
	ACA5242SPKR	£44.80	BUSH KIT, polyurethane (Kit includes: 12 bushes for rear spring and shackle).	8/4	uprated alternative 8 required for Saloon, Tourer & Traveller, 4 required for Van & Pickup
42	AAA1407	£4.90	FULCRUM PIN, spring shackle	4	

Rear Dampers: Light Commercial Models

45	GSA155	£42.20	DAMPER, telescopic	2	
46	AJD6320Z	£3.00	BOLT, top mount	2	
47	GHF302	£0.36	WASHER, plain	2	
48	AAA2369	NCA	SPACER, top mount	2	
49	AJD7232	£0.50	WASHER, plain, bush support upper	4	
50	ACB8871	NCA	BUSH, rear damper, rubber	8	
	ACB8871SPK	£16.20	BUSH KIT, rear damper, polyurethane (Kit includes: 2 one piece bushes for one damper).	2	

ill.	Part Number	Price Eea.	Description	Req.	Details
51	AAA2368	NCA	SLEEVE, top mount	2	
52	GHF333	£0.34	WASHER, spring	2	
53	AJD8106Z	£0.50	NUT	2	
54	PWZ207	£1.00	WASHER, plain, bush support lower	2	
55	GHF334	£0.78	WASHER, spring	2	
56	311-280	£1.25	NUT	2	



Shock Absorber Oil

Dynolite 'Shock Oil'

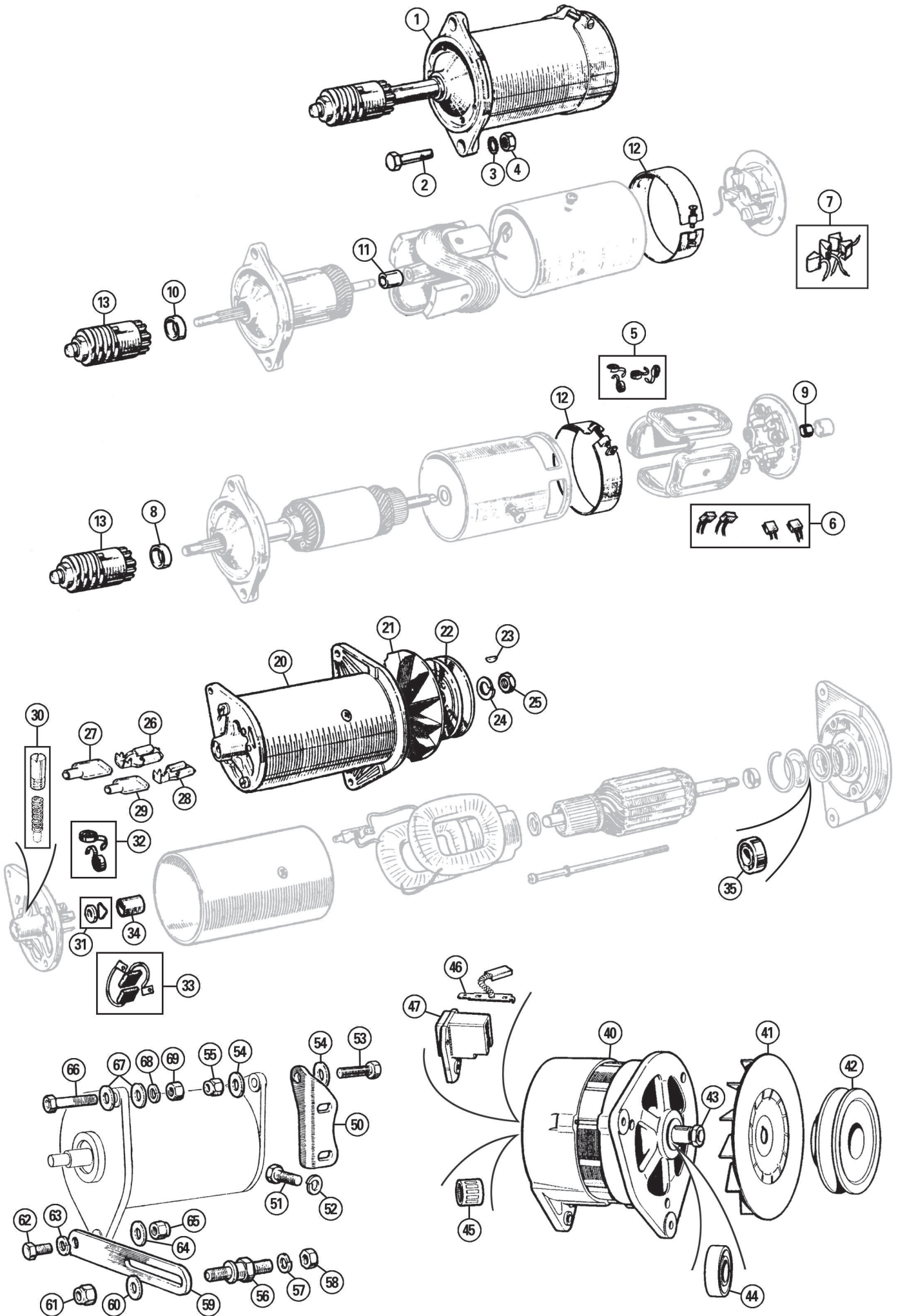
Designed for use in lever arm and vane type shock absorbers. Shock oil is suitable for normal use in Armstrong lever arm dampers.

GGL832110	£8.20	SHOCK OIL, 1 litre	a/r
-----------	-------	--------------------	-----

Moss Shock Absorber Oil

This shock absorber oil is custom blended for use in all Girling and Armstrong lever arm shock absorbers.

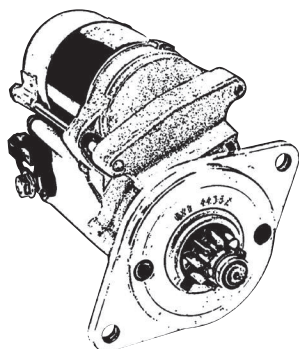
AAA149M	£16.90	SHOCK ABSORBER OIL, 16 fl oz	a/r
---------	--------	------------------------------	-----



ill.	Part Number	Price Eea.	Description	Req.	Details
Starter, Dynamo & Alternator					
Starter Motor					
	Type A		STARTER MOTOR, Lucas No. 25022 (With inspection band & threaded pinion).	1	to (c) 990289
	Type B		STARTER MOTOR, Lucas No. 25079 (With inspection band & circlip pinion).	1	from (c) 990290
	Type C		STARTER MOTOR, Lucas No. 25149 (Without inspection band).	1	later type

Note: The above starter motors are listed for reference only. They are all replaced by item 1, Part Number GEU9405.

1	GEU9405	£80.10	STARTER MOTOR, new	1	
2	BH606131	£1.12	BOLT, starter to engine plate	2	
3	GHF333	£0.34	WASHER, spring	2	
4	GHF202	£0.36	NUT	2	
5	47H5341	NCA	SPRING SET, brushes	1	types A & B
6	GSB102	£3.40	BRUSH SET, rectangular type	1	types A & B
7	GSB105	£6.28	BRUSH SET, wedge type	1	type C
8	7H5049	£3.30	BUSH, front	1	type A
9	511141	£2.50	BUSH, rear	1	type A
10	47H5340	£2.28	BUSH, front	1	type B
11	47H5346	£1.74	BUSH, rear	1	type B
12	7H7058	NCA	BAND COVER	1	types A & B
13	67H5010	£30.00	PINION AND BARREL	1	types B & C



High Torque Starter Motor

These brand new powerful, lightweight starter motors are high torque. This means they are less likely to burn out under the strain of cranking your engine over, especially with high compression engines.

GXE4405XM	£225.60	STARTER MOTOR, high torque	1
-----------	---------	----------------------------	---

Dynamo

Type A	DYNAMO, Lucas No. 22250	1
Type B	DYNAMO, Lucas No. 22258	1 from (c) 161001
Type C	DYNAMO, Lucas No. 22700	1 from (c) 962266

Note: The above dynamos are listed for reference only. They are all replaced by item 20, Part Number GEU3101.

20	GEU3101	£104.00	DYNAMO, C40, new	1	
21	17D11	£14.00	FAN, dynamo	1	
22	12G2102	NCA	PULLEY	1	
23	WKN404	£1.12	KEY	1	
24	GHF334	£0.78	WASHER, spring	1	
25	NT607041	£1.07	NUT, 7/16" UNF	1	
	AEJ49NUT	NCA	NUT, M10	a/r	

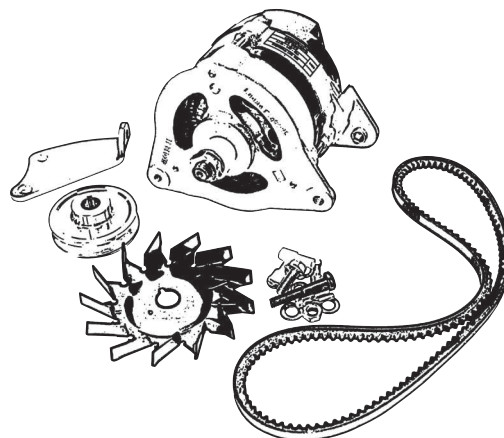
Note: Some remanufactured dynamos have a metric M10 thread on the spindle. Original dynamos use a 7/16" UNF thread. Check before ordering replacement nut.

26	47H5419	£0.88	TERMINAL, large	a/r	
27	515399	£0.60	INSULATOR, large	a/r	
28	RTC220A	£0.70	TERMINAL, small	a/r	
29	511269	£0.74	INSULATOR, small	a/r	
30	147-900	£40.60	OILER	1	
31	032307	£1.58	OILER, felt pad & plate	1	
32	7H5031	NCA	SPRING SET	1	
33	GGB105	£2.38	BRUSH SET	1	
34	17H5407	NCA	BUSH, rear	1	
35	529221A	NCA	BEARING	1	types A & B

ill.	Part Number	Price Eea.	Description	Req.	Details
Alternator: 1098cc Models (from 1192909)					
40	37H4253	NCA	ALTERNATOR	1	from (c) 1192909
41	13H9551	NCA	FAN	1	
42	12G1054	£19.40	PULLEY	1	
43	NT607041	£1.07	NUT	1	
44	18G8619	£16.00	BEARING, front	1	
45	18G8620	£13.90	BEARING, rear	1	
46	37H4119	NCA	BRUSH SET	1	
47	37H7030	NCA	PLUG	1	

Dynamo & Alternator Mounting Hardware

50	12A526	£19.20	BRACKET, rear, dynamo fitment	1	
	12G1053	£10.30	BRACKET, rear, alternator fitment	1	
51	SH605061	£0.24	SCREW, bracket to block	2	dynamo fitment
	SH605071	£0.68	SCREW, bracket to block	2	alternator fitment
52	GHF332	£0.43	WASHER, locking	2	
53	GHF104	£0.71	BOLT, dynamo/alternator to bracket	1	
54	GHF301	£0.10	WASHER, plain	2	
55	GHF272	£0.71	NUT, nyloc	1	
56	12G314	NCA	PEDESTAL, dynamo fitment	1	
	12G3037	£6.10	PEDESTAL, alternator fitment	1	
57	GHF333	£0.34	WASHER, locking	1	
58	NT606041	£0.64	NUT, pedestal to engine bearer plate	1	
59	12H67	£8.50	LINK	1	
60	GHF302	£0.36	WASHER, plain	1	
61	GHF223	£0.90	NUT, nyloc, link to pedestal	1	
62	SH505091	£1.36	SCREW, link to dynamo/alternator	1	
63	GHF332	£0.43	WASHER, locking	1	
64	GHF301	£0.10	WASHER, plain	1	
65	JN2158	£0.50	NUT, locking	1	
66	BH605141	£1.60	BOLT, dynamo to water pump	1	
	GHF121	£0.64	BOLT, alternator to water pump	1	
67	GHF301	£0.10	WASHER, plain	2	
68	GHF332	£0.43	WASHER, locking	1	
69	GHF201	£0.18	NUT	1	



Alternator Conversion

Update your Minor's charging system to an alternator with our comprehensive kit. An alternator provides more reliable charging and increased output which is particularly useful when several electrical systems are being used at once, such as lights, wipers, blower etc. The kit includes an 18ACR, 45 amp alternator, pulley, drive belt, brackets, hardware and comprehensive instructions. The car must also be converted to negative earth.

130-068	£150.00	ALTERNATOR CONVERSION KIT	1
GCB10825	£13.40	FAN BELT	a/r replacement

ill. Part Number Price £ea. Description Req. Details

Batteries, Wiring Harnesses & Fittings

Batteries & Battery Box Fittings

1	GBY5601D	NCA	BATTERY, 12 volt, 30 A/hr, dry	1	
	GBY5601W	£110.30	BATTERY, 12 volt, 30 A/hr, wet	1	
Note: Due to delivery restrictions of hazardous goods, wet batteries can only be delivered by road and sea carrier to UK and mainland Europe. Dry batteries can be delivered worldwide, customers must arrange their own filling of dry batteries with suitable electrolyte and initial charge.					
2	CRST191	£4.20	LABEL, 'Lucas'	1	
3	ADA6357	NCA	BUFFER, battery	2	
4	AAA2370	NCA	GROMMET, spit hole	1	
5	ACA5518	NCA	SEAL, spit hole	1	
6	ACA5210	NCA	MAT, insulator	1	from (c) 426871
	ACA5519	NCA	MAT, insulator	1	from (c) 695517
7	BRP1110	NCA	RIVET	2	from (c) 426871
8	PWZ102	£0.24	WASHER	4	

Battery Tray & Clamp (to (c) 426870)

10	ACA9673	£16.80	BATTERY TRAY, plastic	1	
11	AJD4250Z	£0.68	SCREW, battery tray to box	2	
12	FWP610	NCA	WASHER, cup	2	
13	WM57	£0.26	WASHER, plain	2	
14	AJD8012Z	£0.34	NUT	2	
15	AJD6109Z	£1.56	BOLT, battery tray to box	2	
16	GHF300	£0.24	WASHER	2	
17	AJD8104	£0.56	NUT	2	
18	AAA3690	£2.80	HOOK BOLT	2	
19	AAA3689	NCA	CLAMP BAR	1	
20	AAA3773	NCA	PACKING, rubber	2	
21	AJD8204Z	£0.44	NUT, 1/4" BSF	4	

Battery Clamp (from (c) 426871)

	ACH5228K	£14.90	CLAMP BAR KIT (Includes items: 31, 32, 33 & 34 UNF threads).	1	
31	ACH5228	£13.00	CLAMP BAR	1	
32	37H3743	£2.38	PACKING STRIP, rubber	1	
33	AAA3690	£2.80	HOOK BOLT, 1/4" BSF	2	
	88G294	£3.30	HOOK BOLT, 1/4" UNF	2	
34	AJD8204Z	£0.44	NUT, 1/4" BSF	4	
	GHF200	£0.48	NUT, 1/4" UNF	4	
35	AM7301	£42.50	BATTERY BOX, moulded plastic (Use with late type fixing bar only).	1	

Battery Cables & Terminals

40	BCA4678	NCA	CABLE, battery to solenoid	1	pull starter
	BHA4257	£15.70	CABLE, battery to solenoid	1	key starter
					from (c) 1082280
41	BCA4837	£11.10	CABLE, solenoid to starter	1	pull starter
	BCA4898	£13.50	CABLE, solenoid to starter	1	key starter
					from (c) 1082280
42	AAA2324	NCA	CABLE, engine earth	1	
	AAA2345	£6.10	CABLE, engine earth	1	from (c) 161696
43	AAA324	£8.00	CABLE, battery earth	1	
44	2K6845	NCA	SCREW	2	
45	8G548	£1.55	BOOT, terminal insulation	2	
46	GHF2750	£4.70	TERMINAL, negative, replacement	a/r	
	GHF2755	£4.70	TERMINAL, positive, replacement	a/r	

ill. Part Number Price £ea. Description Req. Details

Wiring Harnesses

Wiring Harnesses: Minor Saloon & Tourer Models

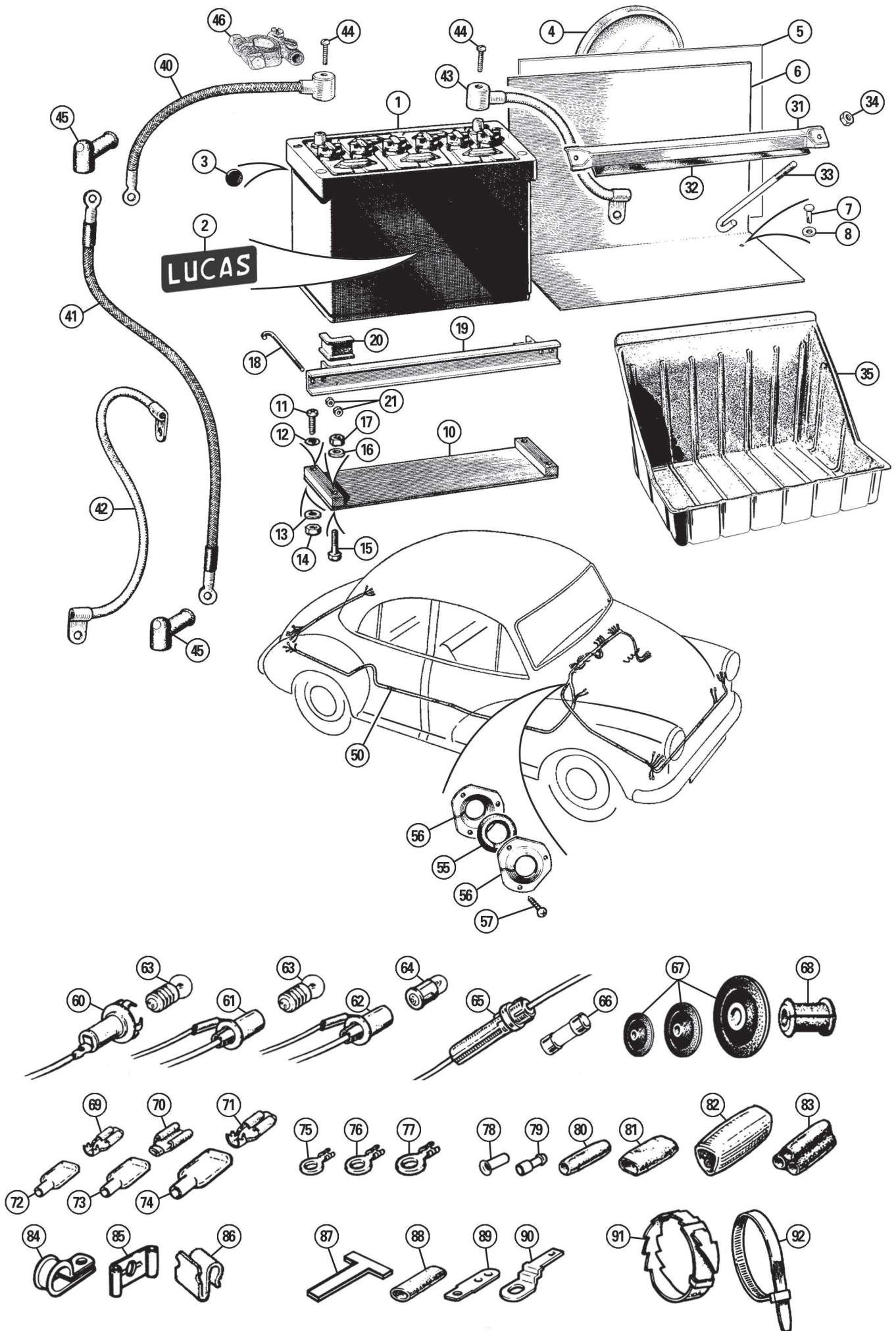
Note: These looms are manufactured to the original specification with braided cables bound into a braided harness. Looms are also available bound with PVC tape.

50	MML101	£155.90	HARNESS, complete (Braided cables in a braided harness).	1	Minor SV E901 on dipping reflector headlamps & stop lamp (1948-49) Minor SV from (c) 501
	MML102	£238.60	HARNESS, complete (Braided cables in a braided harness).	1	
	MML103	£188.80	HARNESS, complete (PVC cables in a braided harness).	1	
	MML104	£238.60	HARNESS, complete (Braided cables in a braided harness).	1	(1949-52) Minor SV from (c) 63822
	MML105	£188.80	HARNESS, complete (PVC cables in a braided harness).	1	
	MML106	NCA	HARNESS, sub for flashers (Braided cables in a braided harness to fit flashing indicators).	1	(1948-61) (as on export cars)
	MML107	£46.40	HARNESS, sub for flashers (PVC cables in a braided harness to fit flashing indicators).	1	
	MML201	£238.60	HARNESS, complete (Braided cables in a braided harness).	1	(1952-53) Minor Series II 803cc 4 door
	MML202	£182.70	HARNESS, complete (PVC cables in a braided harness).	1	with main beam w/light RHD - from (c) 139175 LHD - from (c) 138415
	MML203	£238.60	HARNESS, complete (Braided cables in a braided harness).	1	(1952-53) Minor Series II 803cc 2 door with
	MML204	£188.80	HARNESS, complete (PVC cables in a braided harness).	1	main beam w/light from (c) 140823
	MML205	£238.60	HARNESS, complete (Braided cables in a braided harness).	1	(1953-54) Minor Series II 803cc with offside
	MML206	£188.80	HARNESS, complete (PVC cables in a braided harness).	1	speedo from (c) 221763
	MML207	£238.60	HARNESS, complete (Braided cables in a braided harness).	1	(1954) LHD export models with offside speedo
	MML208	£208.80	HARNESS, complete (PVC cables in a braided harness).	1	relay flashers & twin horns to (c) 286440
	MML209	£238.60	HARNESS, complete (Braided cables in a braided harness).	1	(1954-55) Minor Series II 803cc central speedo,
	MML210	£188.80	HARNESS, complete (PVC cables in a braided harness).	1	coil on bulkhead from (c) 286441
	MML211	£238.60	HARNESS, complete (Braided cables in a braided harness).	1	(1955-56) Minor Series II 803cc 2 door
	MML212	£188.80	HARNESS, complete (PVC cables in a braided harness).	1	coil on dynamo from (c) 352300
	MML213	£238.60	HARNESS, complete (Braided cables in a braided harness).	1	(1955-56) Minor Series II 803cc 4 door coil on
	MML214	£188.80	HARNESS, complete (PVC cables in a braided harness).	1	dynamo from (c) 352300
	MML301	£238.60	HARNESS, complete (Braided cables in a braided harness).	1	(1956-57) Minor 1000 Series III 948cc 2 & 4
	MML302	£188.80	HARNESS, complete (PVC cables in a braided harness).	1	door from (c) 448801

Wiring Harnesses: Minor Saloon Models - Originally PVC Cables

Looms in this range were originally supplied with PVC cables bound into a braided loom. They are available in a choice of either the original braided binding or PVC tape.

	MML303	£182.70	HARNESS, complete (PVC cables in a braided harness).	1	(1958-61) Minor 1000 Series III 948cc 2 door
	MML304	£160.00	HARNESS, complete (PVC cables wrapped in PVC tape harness).	1	from (c) 654750
	MML305	£182.70	HARNESS, complete (PVC cables in a braided harness).	1	(1958-61) Minor 1000 Series III 948cc 4 door
	MML306	£160.00	HARNESS, complete (PVC cables wrapped in PVC tape harness).	1	from (c) 654750
	MML307	£206.00	HARNESS, complete (PVC cables in a braided harness).	1	(1961-62) Minor 1000 Series III 948cc 2 &
	MML308	£175.00	HARNESS, complete (PVC cables wrapped in PVC tape harness).	1	4 door with relay flashers from (c) 925555
	MML309	£206.00	HARNESS, complete (PVC cables in a braided harness).	1	(1962-63) Minor 1000 Series III
	MML310	£175.00	HARNESS, complete (PVC cables wrapped in PVC tape harness).	1	948cc 2 & 4 door with relay flashers + lucar connectors from (c) 962266



iii. Part Number Price Eea. Description Req. Details

Batteries, Wiring Harnesses & Fittings (Continued)

Wiring Harnesses: Minor Saloon Models - Originally PVC Cables

MML501	£206.00	HARNESS, complete (PVC cables in a braided harness).	1	(1963-64) Minor 1000 Series V 1098cc 2 & 4 door with amber flashers & pull type type starter from (c) 1043326
MML502	£175.00	HARNESS, complete (PVC cables wrapped in PVC tape harness).	1	(1965-70) Minor 1000 Series V 1098cc
MML503	£206.00	HARNESS, complete (PVC cables in a braided harness).	1	2 & 4 door with key start & dynamo from 1082280
MML504	£167.00	HARNESS, complete (PVC cables wrapped in PVC tape harness).	1	(1968-71) Minor 1000 Series V 1098cc
MML505	£206.00	HARNESS, complete (PVC cables in a braided harness).	1	2 & 4 door with key start & alternator from (c) 1192909
MML506	£167.00	HARNESS, complete (PVC cables wrapped in PVC tape harness).	1	

(PVC cables wrapped in PVC tape harness).

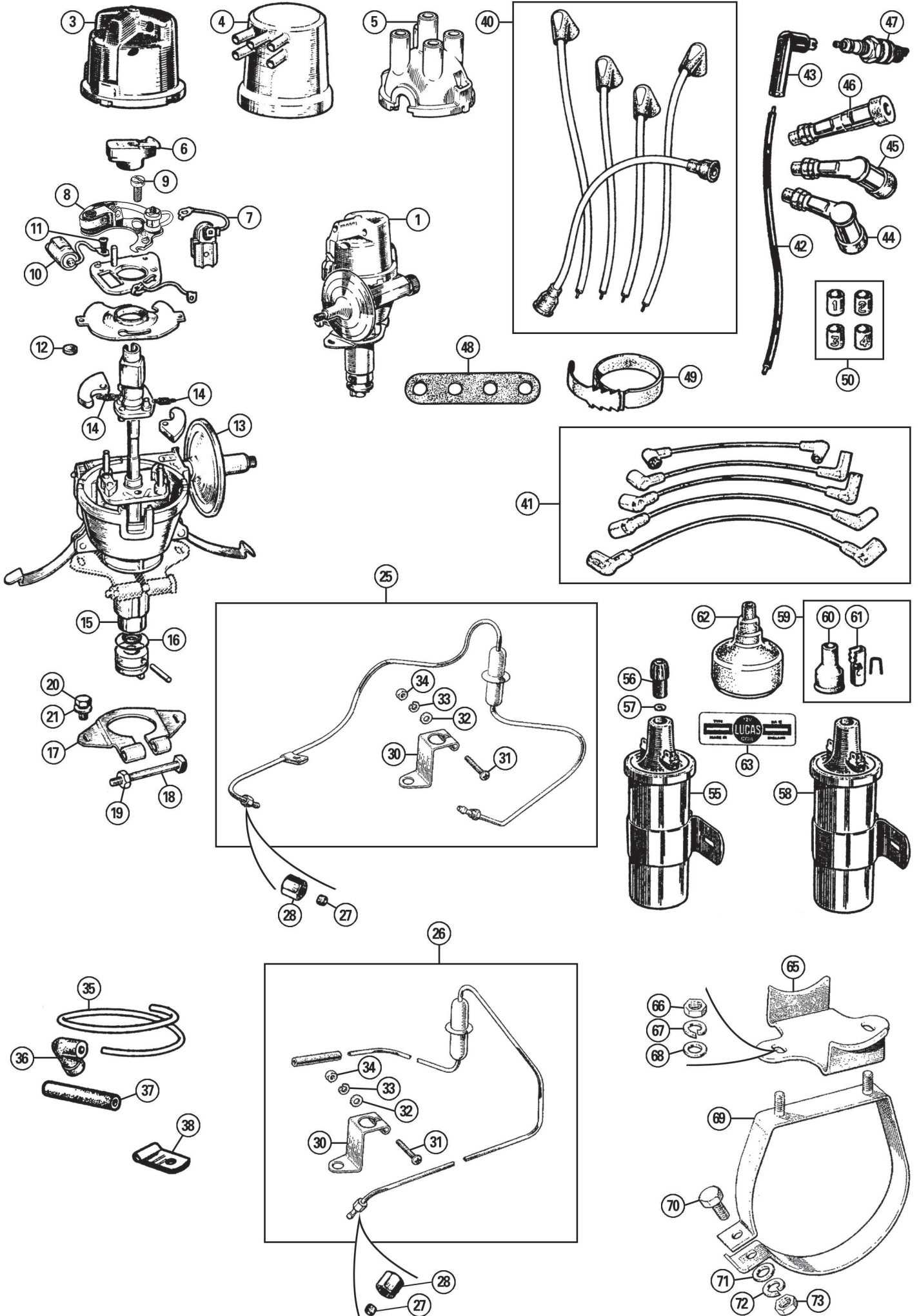
Wiring Harnesses: Minor Van, Pick Up & Traveller

MML215	£238.60	HARNESS, complete (Braided cables in a braided harness).	1	(1954-56) central speedo & splitscreen, Van/Pickup from (c) 5230 Traveller from 233795
MML216	£238.60	HARNESS, complete (Braided cables in a braided harness).	1	(1956) central speedo, Van/Pickup from (c) 21300 to 49767
MML311	£182.70	HARNESS, complete (PVC cables in a braided harness).	1	(1956-60) 1000cc 948cc no trafficators, Van/Pickup from (c) 49801 Traveller from (c) 448801
MML312	£206.00	HARNESS, complete (PVC cables in a braided harness).	1	1960-62 with trafficators
MML507	£206.00	HARNESS, complete (PVC cables in a braided harness).	1	(1962-63) 1098cc with relay flashers, Van/Pickup from (c) 148974 on Traveller from (c) 990294
MML509	£206.00	HARNESS, complete (PVC cables in a braided harness).	1	(1964-65) with amber flashers & pull type starter, Van/Pickup from (c) 158974 Traveller from (c) 1043326
MML510	£175.00	HARNESS, complete (PVC cables wrapped in PVC tape harness).	1	(1965-70) with key start & dynamo, Van/Pickup from (c) 177160 Traveller from (c) 1082537
MML512	£206.00	HARNESS, complete (PVC cables in a braided harness).	1	(1965-70) with key start & alternator, Van/Pickup from (c) 177160 Traveller from (c) 1082537
MML513	£175.00	HARNESS, complete (PVC cables wrapped in PVC tape harness).	1	

iii. Part Number Price Eea. Description Req. Details

Wiring Harness Fittings

55	AAA1501	NCA	GROMMET, through bulkhead	1	
56	AAA1891	NCA	CAP, grommet retainer	1/2] qty. Increased at (c) 331899
57	AB608031	£0.24	SCREW	3	
60	37H5181	£10.80	BULB HOLDER, claw type (Self earth, screw-in bulb).	a/r	
	37H5181	£10.80	BULB HOLDER, claw type (Separate earth, screw-in bulb).	a/r	
61	13H1927	£6.10	BULB HOLDER, sleeve type (Separate earth, push-in bulb).	a/r	
62	UKC4187	£3.60	BULB HOLDER, sleeve type (Separate earth, bayonet bulb).	a/r	
63	GLB987	£0.71	BULB, 2.2W, screw-in type	a/r	
64	GLB281	£2.17	BULB, 2.0W, bayonet type	a/r	
65	UKC4446	£2.15	FUSE HOLDER, in-line (Includes wires, terminals and spring).	a/r	
66	GFS3005	£2.50	FUSE, 5 amp, pack of five fuses	a/r	
	GFS3010	£2.50	FUSE, 10 amp, pack of five fuses	a/r	
	GFS3015	£2.50	FUSE, 15 amp, pack of five fuses	a/r	
	GFS3020	£1.80	FUSE, 20 amp, pack of five fuses	a/r	
	GFS3025	£2.50	FUSE, 25 amp, pack of five fuses	a/r	
	GFS3035	£2.50	FUSE, 35 amp, pack of five fuses	a/r	
	GFS3050	£1.80	FUSE, 50 amp, pack of five fuses	a/r	
67	061917	£0.96	GROMMET, 1/2" OD x 1/8" ID	a/r	
	GHF800	£1.84	GROMMET, 5/8" OD x 1/4" ID	a/r	
	GHF801	£1.60	GROMMET, 3/4" OD x 1/4" ID	a/r	
	GHF802	£1.40	GROMMET, 7/8" OD x 1/2" ID	a/r	
	600395	£1.66	GROMMET, 1" OD x 1/8" ID	a/r	
	602037	£1.79	GROMMET, 1" OD x 1/4" ID	a/r	
	GHF803	£0.71	GROMMET, 1.1/4" OD x 3/4" ID	a/r	
	C5574A	£4.50	GROMMET, 1/4" OD x 5/16" ID	a/r	
	600400W	£1.50	GROMMET, 1.1/2" OD x 3/4" ID	a/r	
68	ACH8529	£3.60	FERRULE, rear lamp cables	a/r	
69	13H2050	£1.00	CONNECTOR, Lucar, 3/16", 6A	a/r	
70	RTC220A	£0.70	CONNECTOR, Lucar, 1/4", 17.5A	a/r	
71	47H5419	£0.88	CONNECTOR, Lucar, 3/8", 35A	a/r	
72	BMK449	NCA	INSULATOR, for 3/16"	a/r	Lucar connector
73	511269	£0.74	INSULATOR, for 1/4"	a/r	Lucar connector
74	515399	£0.60	INSULATOR, for 3/8"	a/r	Lucar connector
75	17H5287	£0.74	EYELET, 3/16" hole	a/r	
76	2H4528	NCA	EYELET, 1/4" hole	a/r	
77	13H625	£0.77	EYELET, 5/16" hole	a/r	
78	27H6713	£1.76	BULLET, push fit	a/r	
78	27H6713	£1.76	BULLET, single, male, push-on	a/r	
79	MQC412111	£0.74	BULLET, single, male (Solder/crimp, 1mm).	a/r	9/0.3 cable
	MQC412112	£0.74	BULLET, single, male (Solder/crimp, 1.5mm).	a/r	14/0.3 cable
	MQC412113	£0.74	BULLET, single, male (Solder/crimp, 2mm).	a/r	28/0.3 cable
	MQC412114	£0.74	BULLET, single, male (Solder/crimp, 3mm).	a/r	44/0.3 cable
	003632	£0.58	BULLET, single, male, solder	a/r	28/0.3 cable
80	104618	£0.50	CONNECTOR, female, single (2 way common contacts).	a/r	
81	RTC603A	£0.80	CONNECTOR, female, double (4 way common contacts).	a/r	
82	BHA4460	£7.10	CONNECTOR, female, triple (6 way common contacts).	a/r	
83	2H4992	£8.20	CONNECTOR, female, triple (6 way Insulated contacts).	a/r	
84	PCR407	£1.18	P CLIP, 1/4" diameter x 7/32" fixing	a/r	
	PCR409	£1.18	P CLIP, 1/4" diameter x 7/32" fixing	a/r	
	PCR607	£1.66	P CLIP, 3/8" diameter x 7/32" fixing	a/r	
	PCR609	£1.40	P CLIP, 3/8" diameter x 9/32" fixing	a/r	
	PCR1007	£1.18	P CLIP, 5/8" diameter x 7/32" fixing	a/r	
	PCR1009	£1.18	P CLIP, 5/8" diameter x 9/32" fixing	a/r	
85	236366A	£8.10	CLIP, earth connection, double	a/r	
86	BMK385	£0.82	CLIP, harness	a/r	
87	603559	£1.12	HARNESS TAG, welded to bodywork	a/r	
88	503213	NCA	SLEEVE, harness tag	a/r	
89	123759	NCA	EARTH TAG, Lucar, welded to body	a/r	
90	123759	NCA	EARTH TAG, Lucar, on wiper motor	a/r	
91	13H6107	£2.38	CABLE TIE, 'fir tree' type	a/r	
92	GHF1265	£0.16	CABLE TIE, nylon, 9cm long	a/r	
	GHF1266	£0.30	CABLE TIE, nylon, 13cm long	a/r	
	GHF1267	£0.30	CABLE TIE, nylon, 22cm long	a/r	
	GHF1268	£0.59	CABLE TIE, nylon, 31cm long	a/r	



ill.	Part Number	Price Eea.	Description	Req.	Details
Ignition System					
Distributors & Components					
1	3H2136	NCA	DISTRIBUTOR, DM2 - Lucas No. 40251	1	side valve
	2A610	NCA	DISTRIBUTOR, DM2 - Lucas No. 40299	1	803cc from (e) 241328
	12A415	£131.00	DISTRIBUTOR, 25D4 - Lucas No. 40561	1	948cc from (e) H101
	12G836	NCA	DISTRIBUTOR, 25D4 - Lucas No. 40899B	1	1098cc from (e) 10MA/U/H101
	12G4220	NCA	DISTRIBUTOR, 25D4 - Lucas No. 41124	1	1098cc from (e) 10MA/U/H215530
	17H5063	£39.80	DISTRIBUTOR CAP	1	side valve
3	GDC102	£11.20	DISTRIBUTOR CAP, side entry	1	from (e) 241328
4	8G726	£15.60	COVER, waterproof	1	
5	GDC103	£6.50	DISTRIBUTOR CAP, top entry, push-on	1	1098cc from (e) 10MA/U/H215530
6	GRA2101	£4.20	ROTOR ARM	1	
	GRA2101HQ	£10.10	ROTOR ARM, high quality	1	
7	502283	£28.20	LT LEAD & BUSH, screw post	1	803-948cc DM2
	57H5346	£13.50	LT LEAD & BUSH, spade connector	1	803-948cc DM2
	600329A	£8.50	LT LEAD & BUSH, spade connector (Upward pointing spade connector).	1	948-1098cc 25D4
	37H2981	£12.90	LT LEAD & BUSH, spade connector (Downward pointing spade connector).	1	alternative to 600329A
8	501466	£15.00	POINTS, contact breaker	1	side valve
	GCS2101	£3.60	POINTS, contact breaker	1	from (e) 241328
	GCS111	£19.60	POINTS, contact breaker, uprated (32oz spring).	1	alternative to GCS2101
9	GCS1001S	£1.07	SCREW, points to plate	1	
10	17H5093	NCA	CONDENSER	1	side valve, 918cc
	GSC111	£3.60	CONDENSER, 803-1098cc	1	from (e) 241328
	GSC111HQ	£11.30	CONDENSER, high quality	1	803-1098cc
11	GSC1001S	£0.71	SCREW, condenser to plate	1	
12	511851	NCA	FELT PAD, cam spindle lubrication	1	
13	17H5108	NCA	VACUUM UNIT	1	side valve
	17H5493	NCA	VACUUM UNIT	1	from (e) 241328
	47H5520	NCA	VACUUM UNIT	1	from (e) H101
	17H6963	NCA	VACUUM UNIT	1	from (e) 10MA/U/H101
	27H7645	£84.40	VACUUM UNIT	1	from (e) 10MA/U/H215530
14	TT1903	£22.40	SPRING SET, auto advance	1	selective fitment kit
15	606895	£27.60	BUSH	1	to (e) 10MA/U/H215529
16	513682A	£1.34	'O' RING	1	1098cc from (e) 10MA/U/H215530
17	3H2138	£14.80	CLAMP PLATE	1	
18	BH604141	£1.18	BOLT, clamp pinching	1	
19	CN1	£0.40	NUT, square	1	
20	SH604041	£0.44	SCREW, distributor clamp to housing	2	from (e) 225190
21	GHF331	£0.42	WASHER, spring	2	
25	2A271	NCA	VACUUM PIPE	1	to (e) 61600
	1H919	£30.50	VACUUM PIPE, metal with vapour trap (Nut fitting both ends, includes bracket & clip).	1	from (e) 61601
26	12H733	£26.30	VACUUM PIPE, metal with vapour trap (Nut fitting/push fit, includes bracket & clip).	1	
27	6K649	£0.96	OLIVE, vacuum pipe	a/r	
29	6K650	£4.60	NUT, vacuum pipe	a/r	
30	1H841	NCA	BRACKET, vapour trap	1	
31	PMZ216	£1.12	SCREW	1	
32	PWZ102	£0.24	WASHER, plain	1	
33	WL700061	£0.34	WASHER, spring	1	
34	NH806011	£0.20	NUT	1	
35	37H4229M	£2.52	VACUUM PIPE, plastic	a/r	
36	12B2062	£1.66	CONNECTOR, angled	1	
37	12B2095	£2.10	CONNECTOR, straight	1	
38	12H90	£2.80	CLIP	1	

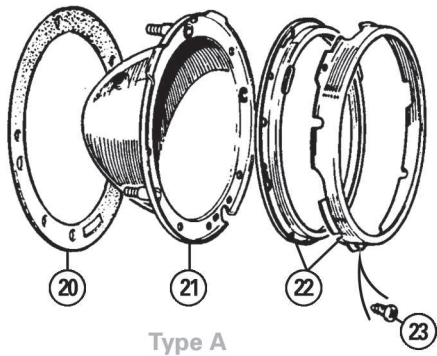
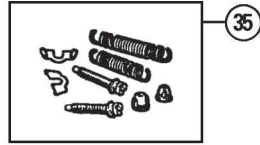
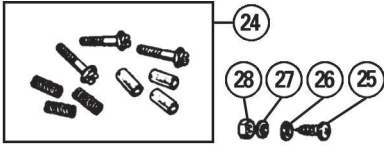
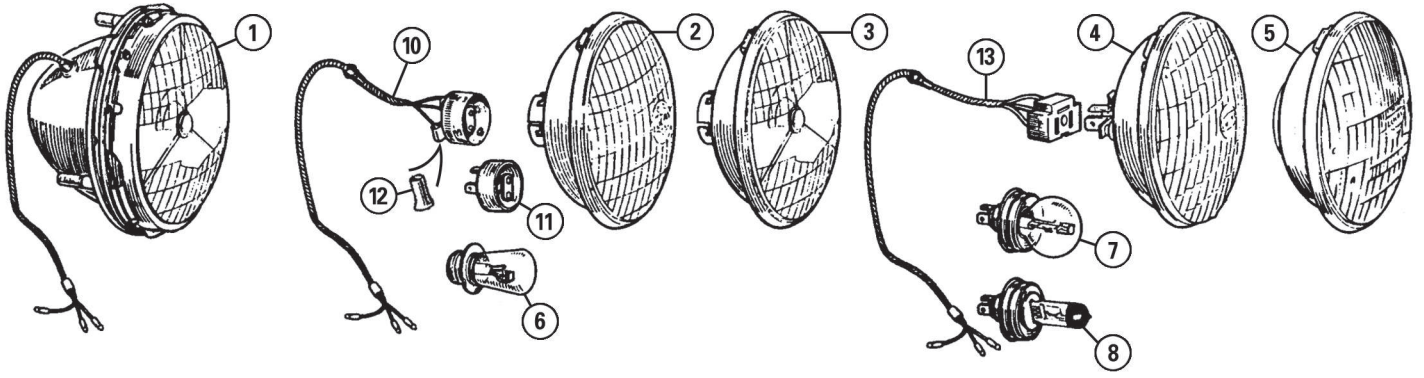
HT Leads & Spark Plugs

40	GHT102X	£51.10	HT LEAD SET, period style (Original type black lead with 'Lucas' type plug caps).	1	screw fit cap
	GHT102	£19.00	HT LEAD SET, green (Use with side entry screw fit distributor cap GDC102, fitted with rubber plug caps).	1	screw fit dist. cap
	GHT102Z	£11.60	HT LEAD SET, black (Use with side entry screw fit distributor cap GDC102, fitted with rubber plug caps).	1	screw fit dist. cap
41	GHT241	£20.50	HT LEAD SET, black (Use with top entry push-on distributor cap GDC103, fitted with rubber caps).	1	push fit dist. Cap
	TMG10872	£25.20	HT LEAD SET, Cobalt, silicone (High performance 8mm silicone HT lead with superior conductor for greater spark energy. Requires push-in distributor cap GDC103).	1	
42	AAA5981M	£3.70	HT LEAD, black (Copper stranded with black PVC insulation).	a/r	

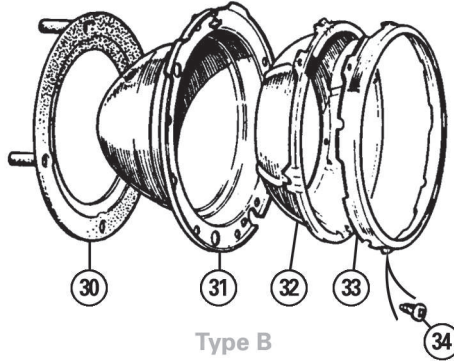
ill.	Part Number	Price Eea.	Description	Req.	Details
	TT2982M	£11.80	HT LEAD, 'Bumblebee' (Copper stranded with yellow/black insulations. Period competition fitment).	a/r	
43	3H1422	£8.10	SUPPRESSOR CAP, 'Lucas'	4	
44	NLB5	£4.50	SUPPRESSOR CAP, NGK, red	1	90° angled
	NLB5BLK	£4.20	SUPPRESSOR CAP, NGK, black	1	
45	NYB5	£4.10	SUPPRESSOR CAP, NGK, red	1	60° angled
	NYB5BLK	£4.00	SUPPRESSOR CAP, NGK, black	1	
46	NSB5	£3.40	SUPPRESSOR CAP, NGK, red	1	straight
	NSB5BLK	£6.00	SUPPRESSOR CAP, NGK, black	1	
47	GSP4362	£4.00	SPARK PLUG, 'Champion' original	4	
	N9YCC	NCA	SPARK PLUG, 'Champion' copper	4	
	BP6ES	£3.50	SPARK PLUG, 'NGK'	4	
48	1G2673	£2.60	SEPARATOR, HT leads	1	
49	13H6107	£2.38	CABLE TIE, 'fir tree' type	a/r	
50	CRST255	£4.70	LABEL SET, numbered, HT leads	1	

Coils & Brackets

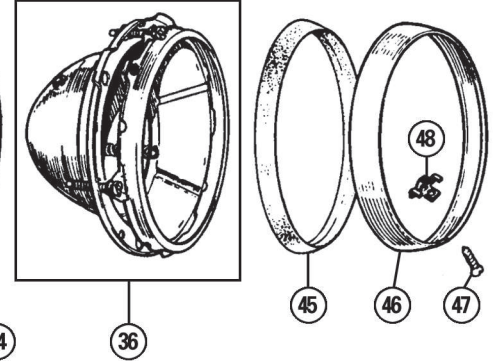
55	GCL101	£18.80	COIL, 12 volt, 'screw fitting' HT lead	1	
56	105036	£1.66	ACORN NUT, HT lead to coil, short	1	0.712"
	105036C	£1.60	ACORN NUT, HT lead to coil, long	1	0.819"
57	214279A	£0.46	WASHER, coil lead	1	
Note: There are two versions of the coil 'Acorn' nut with different lengths. Check before ordering for existing coils. Our coils (GCL101) uses 105036.					
58	GCL110	£15.50	COIL, 12 volt, 'push-fitting' HT lead	1	
59	GCL1110	£2.60	END KIT (Includes rubber boot, terminal & spike. Terminal & spike not required for coil connection, the rubber boot may be useful to prevent moisture ingress).	a/r	
60	12G1040	£1.40	COVER	a/r	
61	12G1476	£1.46	TERMINAL	a/r	
62	8G727	£6.90	COVER, waterproof	1	for coil
63	CRST156	£2.20	DECAL, coil, 'Lucas'	1	
65	11G221	£24.80	STEADY PLATE	1	from (c) 338930
66	GHF200	£0.48	NUT	3	
67	GHF331	£0.42	WASHER, spring	3	
68	WM57	£0.26	WASHER, plain	3	
69	1G2620	£14.70	BRACKET	1	from (c) 338930
70	GHF117	£0.34	BOLT	1	
71	WM57	£0.26	WASHER, plain	1	
72	GHF331	£0.42	WASHER, spring	1	
73	GHF200	£0.48	NUT	1	



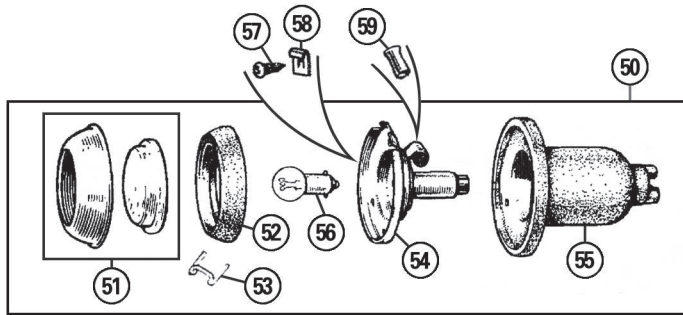
Type A



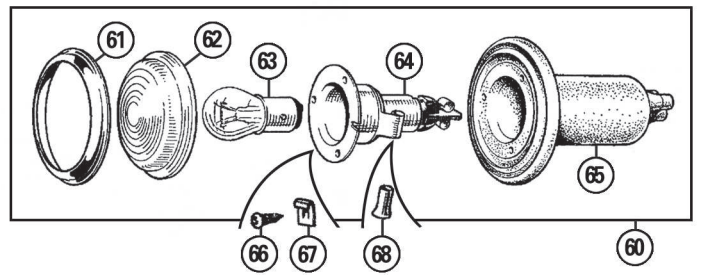
Type B



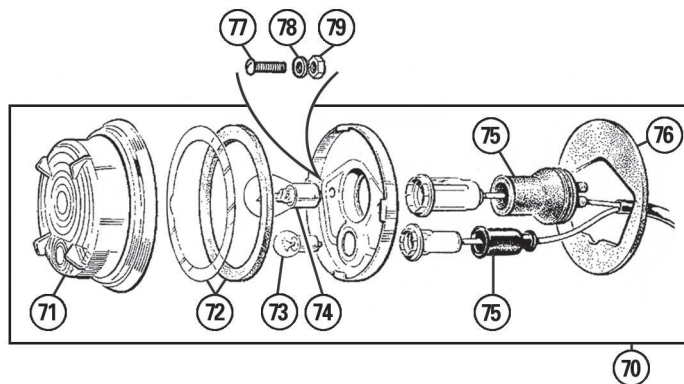
Headlamps



Side Lamp Assembly Series II - Lucas 489



Side & Indicator Lamp Assembly (from (c) 224166) - Lucas 488



Side & Indicator Lamp Assembly (from (c) 1039564) - Lucas 632

ill.	Part Number	Price Eea.	Description	Req.	Details
------	-------------	------------	-------------	------	---------

Headlamps**Headlamps Assemblies**

1	506370X	£135.00	HEADLAMP ASSEMBLY, 'Tripod', RHD	2	
	506372X	£98.50	HEADLAMP ASSEMBLY, 'Tripod', LHD	2	
	27H8495	£66.60	HEADLAMP ASSEMBLY, BPF, RHD	2	
	3H2520	NCA	HEADLAMP ASSEMBLY, BPF, LHD	2	
	AEU1061A	£62.00	HEADLAMP ASSEMBLY, P45T, LHD	2	asymmetric
	27H8499	NCA	HEADLAMP ASSEMBLY, 60/45W, RHD	2	sealed beam
	514579	NCA	HEADLAMP ASSEMBLY, 60/45W, LHD	2	sealed beam

Replacement Lamp Units & Bulbs

2	GLU501	£60.10	LAMP UNIT, BPF, RHD	2	
	GLU517	NCA	LAMP UNIT, BPF, LHD	2	
3	LU554308	£104.60	LAMP UNIT, 'Tripod', RHD	2	
	LU555296	£91.40	LAMP UNIT, 'Tripod', LHD	2	
4	GLU101	NCA	LAMP UNIT, 60/45W, RHD	2	sealed beam
	XBC103360	NCA	LAMP UNIT, 50/75w, RHD	2	sealed beam
	BMK2508	NCA	LAMP UNIT, 60/50W, LHD	2	sealed beam
	BMK2508H	£20.70	LAMP UNIT, 60/50W, LHD	2	
5	27H4146A	£29.50	LAMP UNIT, P45T, LHD	2	
6	GLB414	£3.90	BULB, BPF, RHD, 50/40W	2	
	GLB415	£9.40	BULB, BPF, LHD, 50/40W	2	
7	GLB410	£3.20	BULB, P45T, 45/40W	2	
	GLB2983	£7.10	BULB, P45T, Halogen, 60/55W	2	alternative
8	GLB472	£5.60	BULB, Halogen H4, 60/55W	2	
	GLB484	£6.60	BULB, Halogen H4, 100/90W	2	
	GLB472X	NCA	BULB, Xenon H4, 60/55W	2	
	GLB472BLU	£11.10	BULB, Xenon H4, 60/55W, blue tint	1	pair
10	27H2333	£13.30	PLUG & HARNESS, BPF	2	
11	501473	£16.90	PLUG, BPF	2	
12	27H6713	£1.76	CONNECTOR, bullet, push-in	a/r	
13	BAU2110	£6.20	PLUG & HARNESS, P45T, H4	2	sealed beam

Headlamp Mounting Hardware: Type A - 3 Adjusters

20	3H1031	£3.50	SEAL, bucket to body	2	
21	7H6838	£16.20	BUCKET	2	
22	17H5205	£26.80	Mounting RIM SET, 2 piece	2	
23	AB606021	£0.40	SCREW	6	
24	17H5394K	£4.30	ADJUSTER KIT	6	
25	PMZ314	£0.34	SCREW	8	
26	GHF306	£0.34	WASHER, plain	8	
27	WL700101	£0.28	WASHER, spring	8	
28	GHF206	£0.30	NUT	8	

Headlamp Mounting Hardware: Type B - 2 Adjusters & Spring

30	009403	£4.50	SEAL, bucket to body	2	
31	SML3	£18.20	BUCKET	2	
32	SML4	£10.00	BOWL, metal	2	
	27H6481	£24.60	BOWL, plastic	2	
33	515218A	£12.70	RETAINING RIM, chrome	2	
34	AB606021	£0.40	SCREW	6	
35	BHM7058	£4.80	ADJUSTER KIT	2	
			(Comprises: 2 screws, 2 ferrules, 2 springs & 2 clips).		
36	27H8263X	£31.30	BUCKET, BOWL & RIM SET, per lamp	2	
			(Comprises: 1 bucket, 1 metal bowl, 1 chrome rim & 3 screws, with adjusters & spring).		
37	PMZ314	£0.34	SCREW	8	
38	GHF306	£0.34	WASHER, plain	8	
39	WL700101	£0.28	WASHER, spring	8	
40	GHF206	£0.30	NUT	8	

Headlamp Rims

45	3H2962	£4.10	SEAL, dust excluder	2	
46	500929	£19.80	HEADLAMP RIM, chrome	2	
47	RTC465	£0.64	SCREW	2	
48	37H7421A	£1.97	CLIP, rim retaining	2	

ill.	Part Number	Price Eea.	Description	Req.	Details
------	-------------	------------	-------------	------	---------

Front Side Lamps**Side Lamp Assembly Series II - Lucas 489**

50	3H1017	£40.40	SIDE LAMP ASSEMBLY	2	
51	37H5482	NCA	LENS & BEZEL	2	
52	37H5483	NCA	SEAL, lens to bulb holder	2	
53	7H5352	NCA	CLIP, lens fixing	2	
54	LU572783	£16.80	BULB HOLDER	2	
55	7H5109	£6.10	BOOT, rubber	2	
56	GLB989	£0.94	BULB	2	
57	GHF421	£0.16	SCREW	6	
58	AK606061	NCA	SPIRE NUT	6	
59	27H6713	£1.76	BULLETS, wiring, solderless	a/r	

Side & Indicator Lamp Assembly (from (c) 224166) - Lucas 488

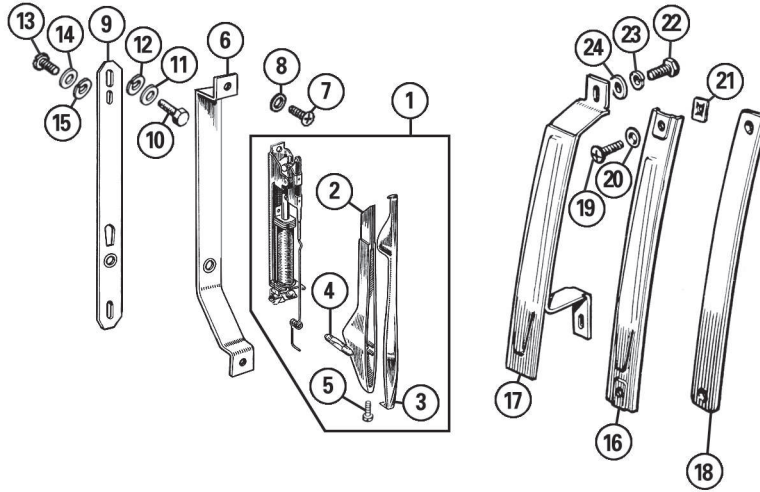
60	3H3055	£25.00	SIDE LAMP ASSEMBLY, clear lens	2	
61	7H5182	£2.60	RIM, chrome	2	
62	AJA5076	£7.80	LENS, clear, glass	2	
	AJC5114	£9.70	LENS, amber, glass	2	Germany spec
63	GLB380	£0.52	BULB	2	
64	17H5426	£16.30	BULB HOLDER	2	
65	37H5481	£4.70	BOOT, rubber	2	
66	GHF421	£0.16	SCREW, lamp to body	6	
67	AK606061	NCA	SPIRE NUT	6	
68	27H6713	£1.76	BULLETS, wiring, solderless	a/r	

Side & Indicator Lamp Assembly (from (c) 1039564) - Lucas 632

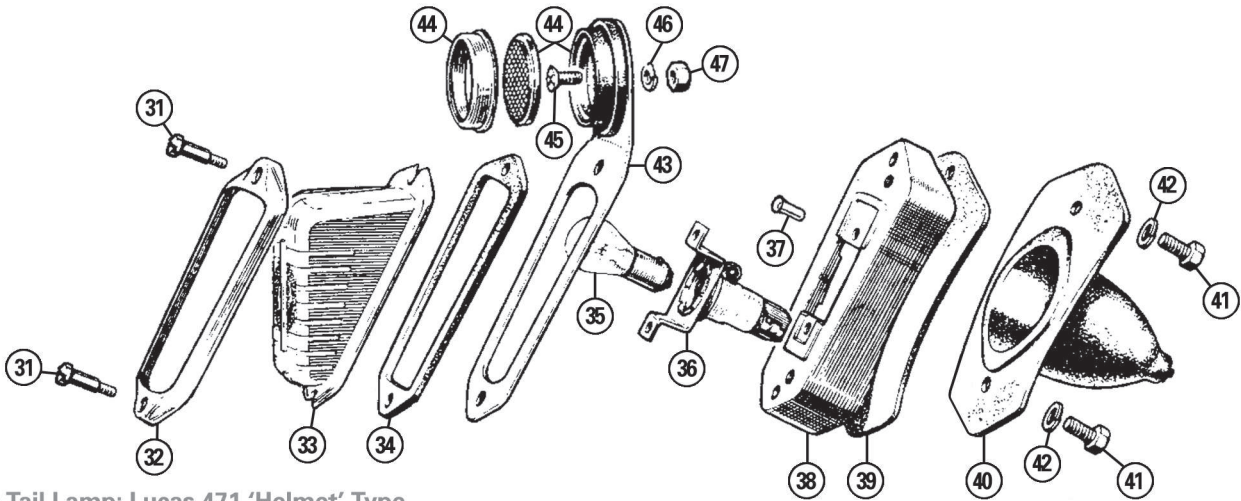
70	13H6396	£45.00	SIDE LAMP ASSEMBLY, amber flasher	2	
	13H520	£43.70	SIDE LAMP ASSEMBLY, white flasher	2	Italy & Switzerland
71	47H5507	£23.80	LENS, with rim, amber flasher	2	
	47H5508	£18.80	LENS, with rim, white flasher	2	
72	17H5307K	£9.30	SEAL SET, lens mounting, car set	1	
73	GLB989	£0.94	BULB, side light	2	
74	GLB382	£0.60	BULB, indicator	2	
75	37H5294K	£8.00	BOOT SET, rubber, car set	1	
76	47H5505	£3.40	SEAL, lamp to body	2	
77	PMZ305	£0.40	SCREW, lamp to body	4	
78	WE702101	£0.34	WASHER, shake-proof	4	
79	FNZ103	£0.34	NUT	4	

Wipac Headlamp Conversions

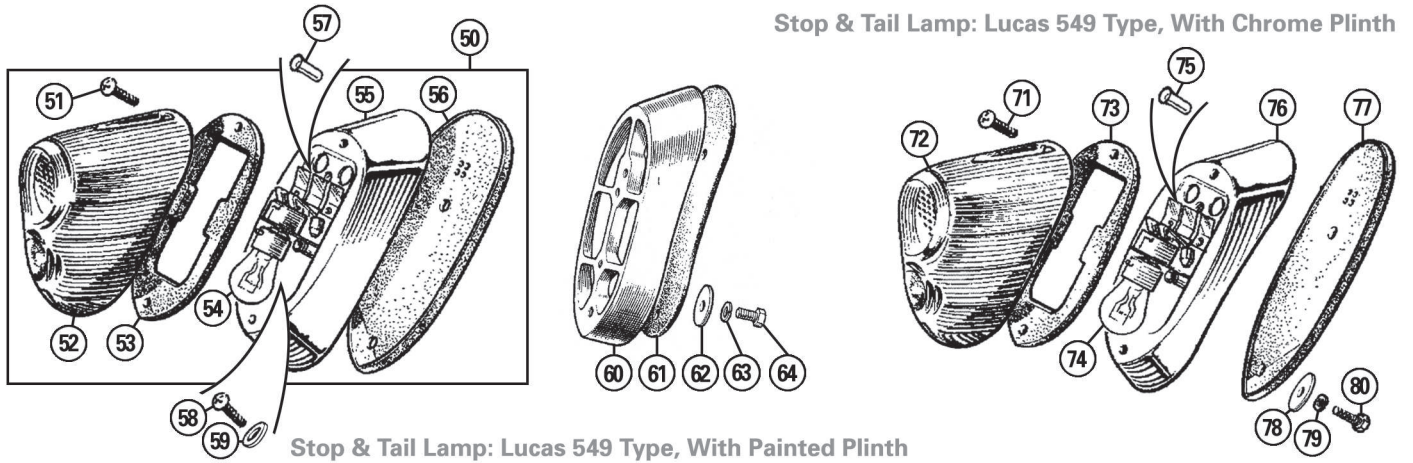
GAC4022	£51.90	HEADLAMP CONVERSION, no pilot	1	RHD
MGE203	£68.50	HEADLAMP CONVERSION, no pilot	1	LHD
GAC4023Z	£60.00	HEADLAMP CONVERSION, with pilot	1	RHD
WPS4699	£70.80	HEADLAMP CONVERSION, with pilot	1	LHD



Trafficators



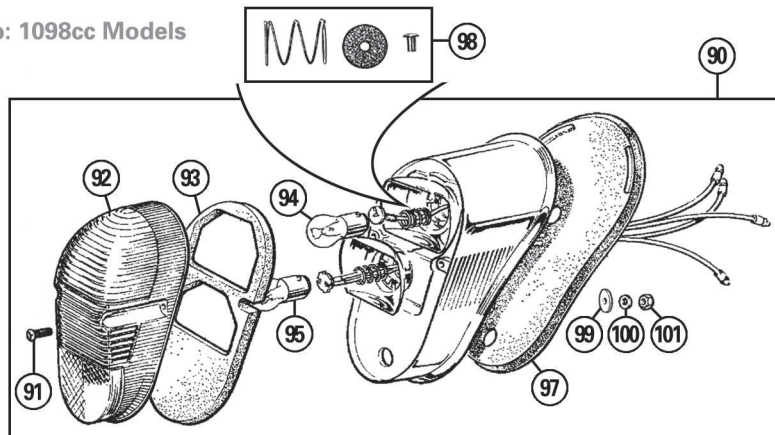
Stop & Tail Lamp: Lucas 471 'Helmet' Type



Stop & Tail Lamp: Lucas 549 Type, With Chrome Plinth

Stop & Tail Lamp: Lucas 549 Type, With Painted Plinth

Stop, Tail & Indicator Lamp: 1098cc Models



ill.	Part Number	Price Eea.	Description	Req.	Details
Trafficators					
1	138179	NCA	TRAFFICATOR ASSEMBLY	2	2 door Saloon & Tourer to (c) UK 164496; NAS 126360
	4G9525	NCA	TRAFFICATOR ASSEMBLY	2	2 door Saloon & Tourer from (c) UK 164497; NAS 126361 to 174442
	138378	NCA	TRAFFICATOR ASSEMBLY	2	4 door Saloon to (c) UK 164496; NAS 126360
	4G7701	NCA	TRAFFICATOR ASSEMBLY	2	4 door Saloon from (c) UK 164497; NAS 126361 to 170678
2	7H5136	NCA	ARM	2	2 door Saloon & Tourer to (c) 164496
	7H5360	NCA	ARM	2	4 door Saloon to (c) 164496
	7H5482	£12.50	ARM	2	all models from (c) 164497
3	27H5395	NCA	COVER	2	2 door Saloon & Tourer to (c) 164496
	7H5578	NCA	COVER	2	2 door Saloon & Tourer from (c) 164497
	AKF456	NCA	COVER	2	4 door Saloon to (c) 164496
	7H5577	£10.20	COVER	2	4 door Saloon from (c) 164497
4	GLB256	£2.60	BULB	2	
5	AD606043	£0.50	SCREW	2	
6	138161	NCA	FIXING PLATE	2	2 door Saloon & Tourer to (c) UK 164496; NAS 126360
	AAA2346	NCA	FIXING PLATE	2	2 door Saloon & Tourer from (c) UK 164497; NAS 126361 to 174442
7	AJD2245C	£1.45	SCREW, trafficator to bracket	4	2 door Saloon & Tourer
8	FWP608	NCA	WASHER, cup	4	
9	AAA2329	NCA	FIXING PLATE	2	4 door Saloon to (c) UK 925447; NAS 170678
10	AJD1244Z	£0.59	BOLT, trafficator to bracket	4	4 door Saloon
11	PWZ103	£0.24	WASHER, plain	4	
12	WL700101	£0.28	WASHER, spring	4	
13	AJD3202Z	£0.96	SCREW, bracket to body	4	
14	WL700101	£0.28	WASHER, spring	4	
15	GHF306	£0.34	WASHER	4	
16	AAA2106	NCA	COVER, trafficator slot	2	2 door Saloon & Tourer from (c) UK 244166; NAS 174443
	ADA1545	NCA	COVER, trafficator slot	2	2 door Saloon & Tourer from (c) 257230
17	ADA1546	NCA	COVER, trafficator slot	2	4 door Saloon & Traveller
18	ADA2105	NCA	SEAL	2	2 door Saloon & Tourer
	AAA4062	NCA	SEAL	2	4 door Saloon & Traveller
19	RTZ603	NCA	SCREW	4	2 door Saloon & Tourer from (c) 174443
	AJD2245C	£1.45	SCREW	4	2 door Saloon & Tourer from (c) 257230
20	FWP608	NCA	WASHER, cup	4	2 door Saloon & Tourer from (c) 257230
21	ANK5062	NCA	NUT	4	2 door Saloon & Tourer from (c) 257230
22	RTZ604	NCA	SCREW	4	4 door Saloon & Traveller from (c) 170679
23	AJD7612	NCA	WASHER, spring	4	Traveller from (c) 428264
24	AJD7032	£0.44	WASHER	4	Traveller from (c) 428264

Rear Lamps & Reflectors: Saloon & Tourer

Stop & Tail Lamp: Lucas 471 'Helmet' Type

	37H5381	NCA	LAMP ASSEMBLY, stop & tail	2	
	107592Z	£82.10	LAMP ASSEMBLY, stop & tail	2	alternative
31	157-900	NCA	SCREW	4	
32	157-920	£16.50	RIM, chrome	2	
33	501934X	£16.00	LENS, glass	2	
34	502332	£6.70	GASKET, lens to base	2	
35	GLB380	£0.52	BULB, stop & tail, 21/5W	2	

ill.	Part Number	Price Eea.	Description	Req.	Details
36	LU572228	NCA	SOCKET ASSEMBLY	2	
	158-310	£38.80	SOCKET ASSEMBLY	2	alternative
Note: This socket is an alternative to the original socket and may require modification to fit. It will accept a twin filament bulb.					
37	27H6713	£1.76	BULLET, wiring, solderless	a/r	
38	AAA2394	NCA	BASE PLATE, RH	1	
	AAA2395	NCA	BASE PLATE, LH	1	
39	AAA2158	NCA	GASKET, base to body	2	
40	AAA2230	NCA	BOOT, rubber, RH	1	
	AAA2231	NCA	BOOT, rubber, LH	1	
41	AJD6156Z	£1.36	BOLT, 1/4" BSF	4	from (c) 293051
	AJD6155Z	£0.95	BOLT, 1/4" BSF	4	from (c) 454111
42	GHF331	£0.42	WASHER, spring	4	
43	ADA1631	NCA	BRACKET, reflector	2	from (c) 284948 to 293050
44	144-700	£19.60	REFLECTOR	2	from (c) 284948 to 293050
45	PMZ308	£0.36	SCREW	2	
46	WL700101	£0.28	WASHER, spring	2	
47	FNZ103	£0.34	NUT	2	

Stop & Tail Lamp: Lucas 549 Type, With Painted Plinth

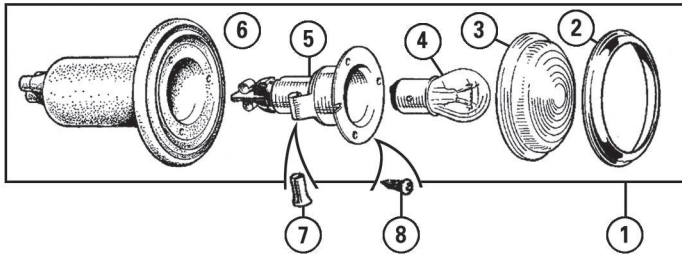
50	13H23	£36.00	LAMP ASSEMBLY, stop & tail	2	
51	57H5569	£0.94	SCREW, lens retaining	4	
52	AJA5069	£11.00	LENS, red	2	
	AJA5069Z	£7.00	LENS, red, aftermarket	2	
53	AJA5071	£3.00	GASKET, lens to base	2	
54	GLB380	£0.52	BULB, stop & tail, 21/5W	2	
55	AJA5072	£24.50	BASE PLATE	2	
56	AJA5073	£3.30	GASKET, lamp to plinth	2	
57	27H6713	£1.76	BULLET, wiring, solderless	a/r	
58	PMZ308	£0.30	SCREW, base plate to plinth	4	
59	WL700101	£0.22	WASHER	4	
60	ADA1590	NCA	PLINTH, RH	1	
	ADA1591	NCA	PLINTH, LH	1	
61	ADA1621	NCA	GASKET, plinth to body	2	
62	WM57	£0.26	WASHER, plain	4	
63	GHF331	£0.42	WASHER, spring	4	
64	AJD6156Z	£1.36	SCREW, plinth to wing	4	

Stop & Tail Lamp: Lucas 549 Type, With Chrome Plinth

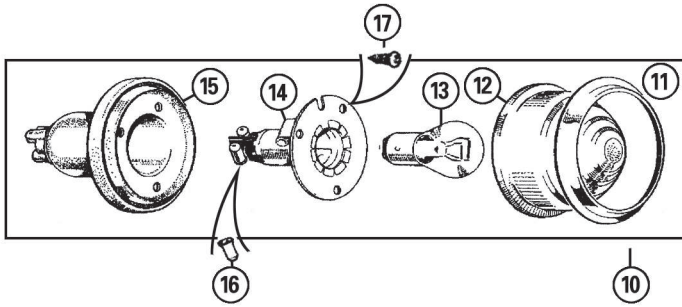
	37H5161	£74.10	LAMP ASSEMBLY, stop/tail, RH	1	
	37H5162	£74.10	LAMP ASSEMBLY, stop/tail, LH	1	
71	57H5569	£0.94	SCREW, lens retaining	4	
72	AJA5069	£11.00	LENS, red	2	
	AJA5069Z	£7.00	LENS, red, aftermarket	2	
73	AJA5071	£3.00	GASKET, lens to base	2	
74	GLB380	£0.52	BULB, stop & tail, 21/5W	2	
75	27H6713	£1.76	BULLET, wiring, solderless	a/r	
76	37H5413	NCA	LAMP BASE, RH	1	
	37H5411	NCA	LAMP BASE, LH	1	
77	ADA2860	NCA	GASKET, base to body, RH	1	
	ADA2861	NCA	GASKET, base to body, LH	1	
78	WM57	£0.26	WASHER, plain	4	
79	GHF331	£0.42	WASHER, spring	4	
80	AJD6156Z	£1.36	SCREW, plinth to wing	4	

Stop, Tail & Indicator Lamp: 1098cc Models

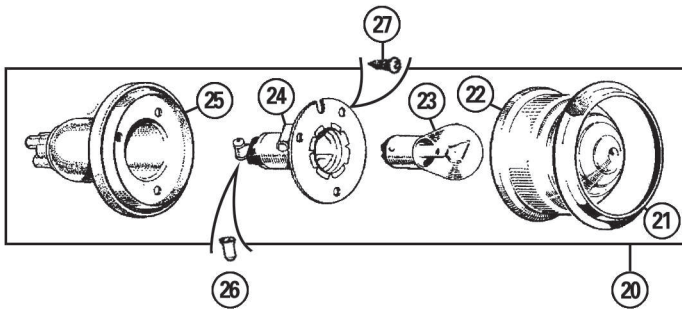
90	13H6417	£212.00	LAMP ASSY., stop/tail & indicator, RH	1	amber flasher
	13H6418	£212.00	LAMP ASSY., stop/tail & indicator, LH	1	
	BCA4876	NCA	LAMP ASSY., stop/tail & indicator, RH	1	red flasher
	BCA4877	NCA	LAMP ASSY., stop/tail & indicator, LH	1	
91	PMP208	£0.59	SCREW	4	
92	37H2987	£24.60	LENS, amber flasher	2	
	27H3689	NCA	LENS, red flasher	2	
93	17H9176	£3.10	GASKET, lens to base	2	
94	GLB382	£0.60	BULB, indicator, 21W	2	
95	GLB380	£0.52	BULB, stop & tail, 21/5W	2	
97	27H2646	£5.40	GASKET, base to body, RH	1	
	27H2647	£5.40	GASKET, base to body, LH	1	
98	37H5452	£4.60	TERMINAL KIT, bulb socket	2	single contact
	37H5459	£4.00	TERMINAL KIT, bulb socket	2	twin contact
99	PWZ103	£0.24	WASHER, plain	4	
100	WL700101	£0.28	WASHER, spring	4	
101	GHF206	£0.30	NUT	4	



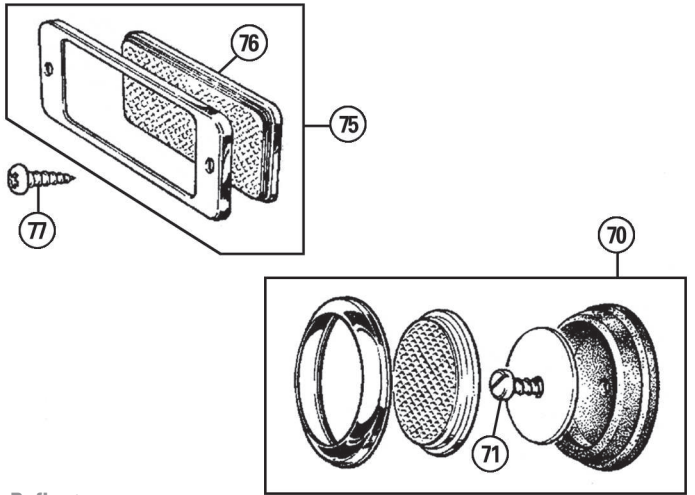
Stop & Tail Lamp: Lucas 488 Type, Flat Lens



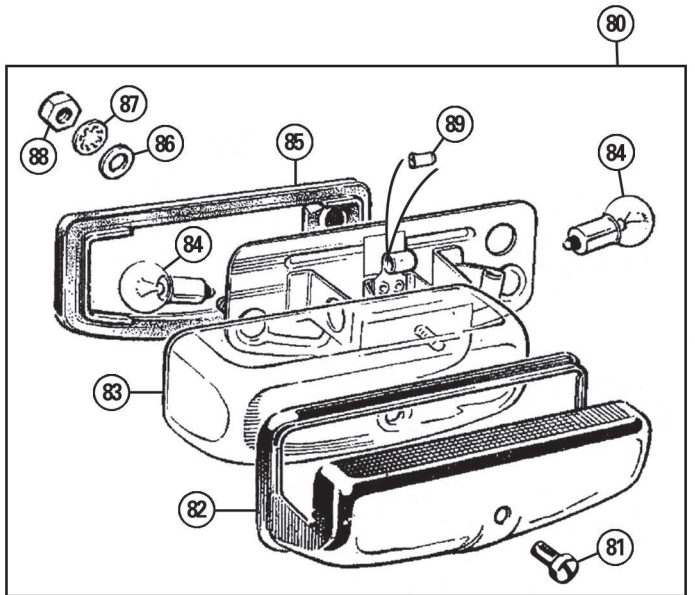
Stop & Tail Lamp: Lucas 594 Type, 'Beehive' - Lens Traveller (from (c) 1040520)



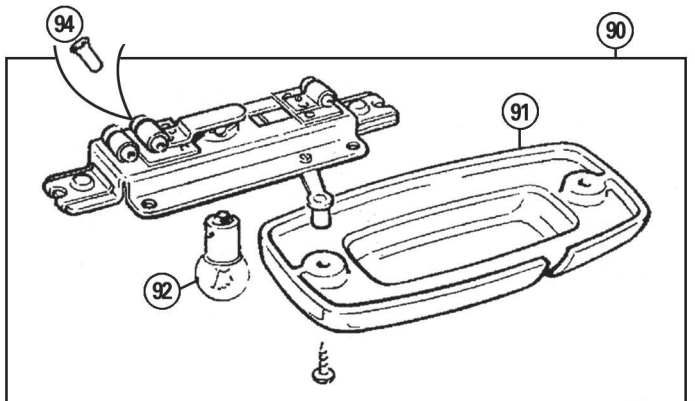
Indicator Lamp: Lucas 594 Type, 'Beehive' - Lens Traveller (from (c) 1040520)



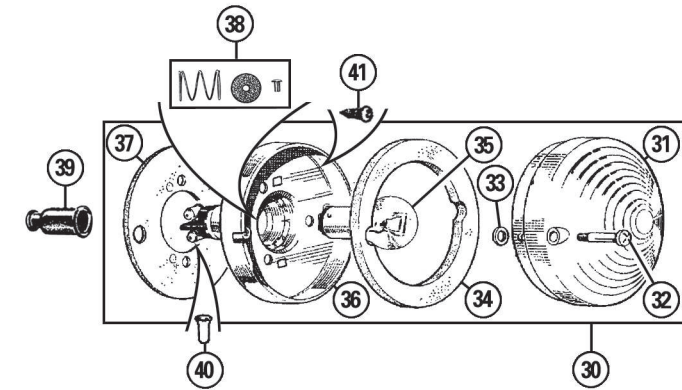
Reflectors



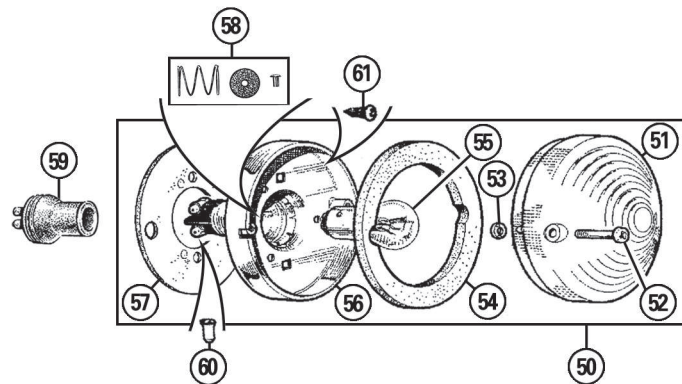
Number Plate Lamp: All Models



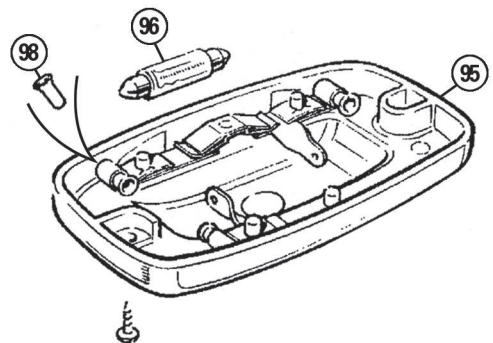
Interior Lamps



Stop & Tail Lamp: Lucas 491 Type - Traveller (from (c) NAS 1075912)



Indicator Lamp: Lucas 491 Type - Traveller (from (c) NAS 1075912)



ill. Part Number Price Eea. Description Req. Details

Rear Lamps & Reflectors: Traveller & Light Commercial

Stop & Tail Lamp: Lucas 488 Type, Flat Lens

1	3H1814	£22.90	LAMP ASSEMBLY, stop & tail, flat glass	2	
2	7H5182	£2.60	RIM, chrome	2	
3	7H5183	£8.30	LENS, red, flat	2	
4	GLB380	£0.52	BULB, stop & tail, 21/5W	2	
5	17H5426	£16.30	BULB HOLDER	2	
6	37H5481	£4.70	BOOT, rubber	2	
7	27H6713	£1.76	BULLET, wiring, solderless	a/r	
8	GHF421	£0.16	SCREW	6	

Stop & Tail Lamp: Lucas 594 Type, 'Beehive' - Lens Traveller (from (c) 1040520)

10	1B9101	£19.10	LAMP ASSEMBLY, stop & tail, 'Beehive'	2	
11	7H5182	£2.60	RIM, chrome	2	
12	37H5531	£13.10	LENS, red, 'Beehive'	2	
	37H5531Z	£5.60	LENS, red, 'Beehive', aftermarket	2	
13	GLB380	£0.52	BULB, stop & tail, 21/5W	2	
14	27H5545	£9.40	BULB HOLDER	2	
15	508162	£3.00	BOOT, rubber	2	
16	27H6713	£1.76	BULLET, wiring, solderless	a/r	
17	GHF421	£0.16	SCREW	6	

Indicator Lamp: Lucas 594 Type, 'Beehive' - Lens Traveller (from (c) 1040520)

20	2A9013	£21.00	LAMP ASSEMBLY, indicator, 'Beehive'	2	
21	7H5182	£2.60	RIM, chrome	2	
22	37H5520	£13.10	LENS, amber, 'Beehive'	2	
	37H5520Z	£5.60	LENS, amber, 'Beehive', aftermarket	2	
23	GLB382	£0.60	BULB, indicator, 21W	2	
24	37H5528	£6.50	BULB HOLDER	2	
25	508162	£3.00	BOOT, rubber	2	
26	27H6713	£1.76	BULLET, wiring, solderless	a/r	
27	GHF421	£0.16	SCREW	6	

Stop & Tail Lamp: Lucas 491 Type - Traveller (from (c) NAS 1075912)

30	BHA4462	£24.30	LAMP ASSEMBLY, stop & tail	2	
31	37H6109	£9.70	LENS, red	2	
32	518868	£0.82	SCREW, lens	4	
33	21G9057	£0.52	WASHER, screw seating	4	
34	17H6765	£1.10	SEAL, lens seating	2	
35	GLB380	£0.52	BULB, stop & tail, 21/5W	2	
36	27H2725	NCA	BULB HOLDER	2	
37	27H2724	£3.30	GASKET, lamp to body	2	
38	37H5459	£4.00	TERMINAL KIT, bulb socket	2	twin contact
39	37H5525	£1.76	BOOT, rubber	2	
40	27H6713	£1.76	BULLET, wiring, solderless	a/r	
41	GHF421	£0.16	SCREW	6	

Indicator Lamp: Lucas 491 Type - Traveller (from (c) NAS 1075912)

50	BHA4477	£23.00	LAMP ASSEMBLY, indicator	2	
51	517266	£7.60	LENS, amber	2	
52	518868	£0.82	SCREW, lens	4	
53	21G9057	£0.52	WASHER, screw seating	4	
54	17H6765	£1.10	SEAL, lens seating	2	
55	GLB382	£0.60	BULB, indicator, 21W	2	
56	27H4886	NCA	BULB HOLDER	2	
57	27H2724	£3.30	GASKET, lamp to body	2	
58	37H5452	£4.60	TERMINAL KIT, bulb socket	2	single contact
59	17H5216	£1.12	BOOT, rubber	2	
60	27H6713	£1.76	BULLET, wiring, solderless	a/r	
61	GHF421	£0.16	SCREW	6	

Reflectors

70	BCA4871	£20.82	REFLECTOR, round	2	Traveller from (c) 742019
71	GHF426	£0.24	SCREW	2	
75	BCA4568	£19.40	REFLECTOR, rectangular	2	
76	47H5279	£9.90	LENS	a/r	
77	AD608033	£0.50	SCREW	4	

Number Plate Lamp: All Models

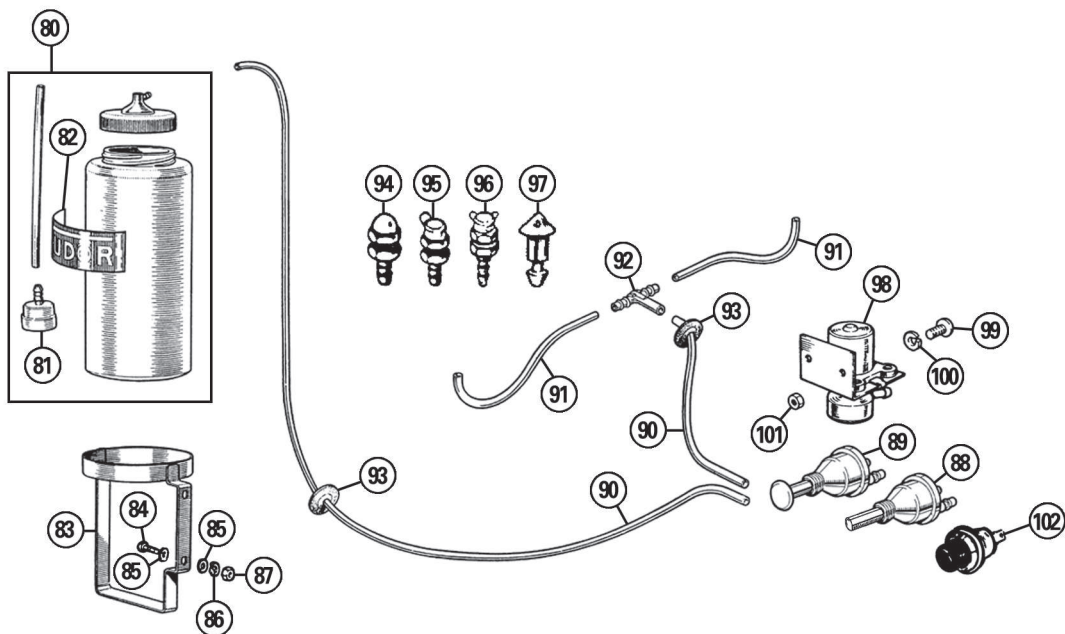
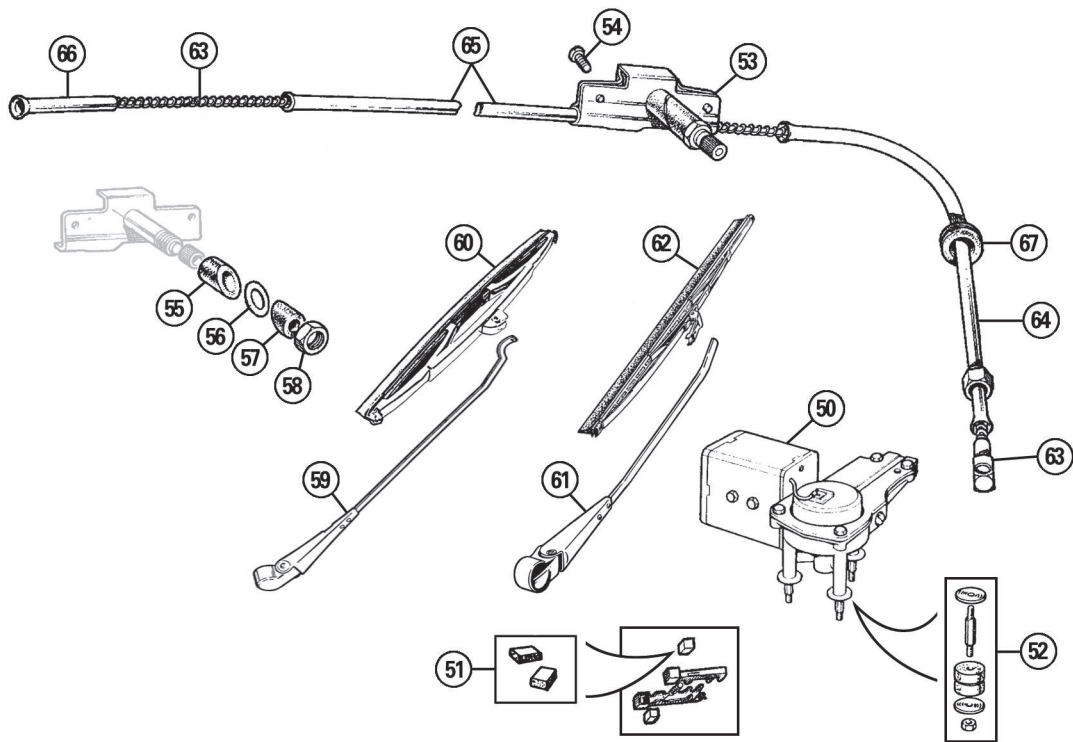
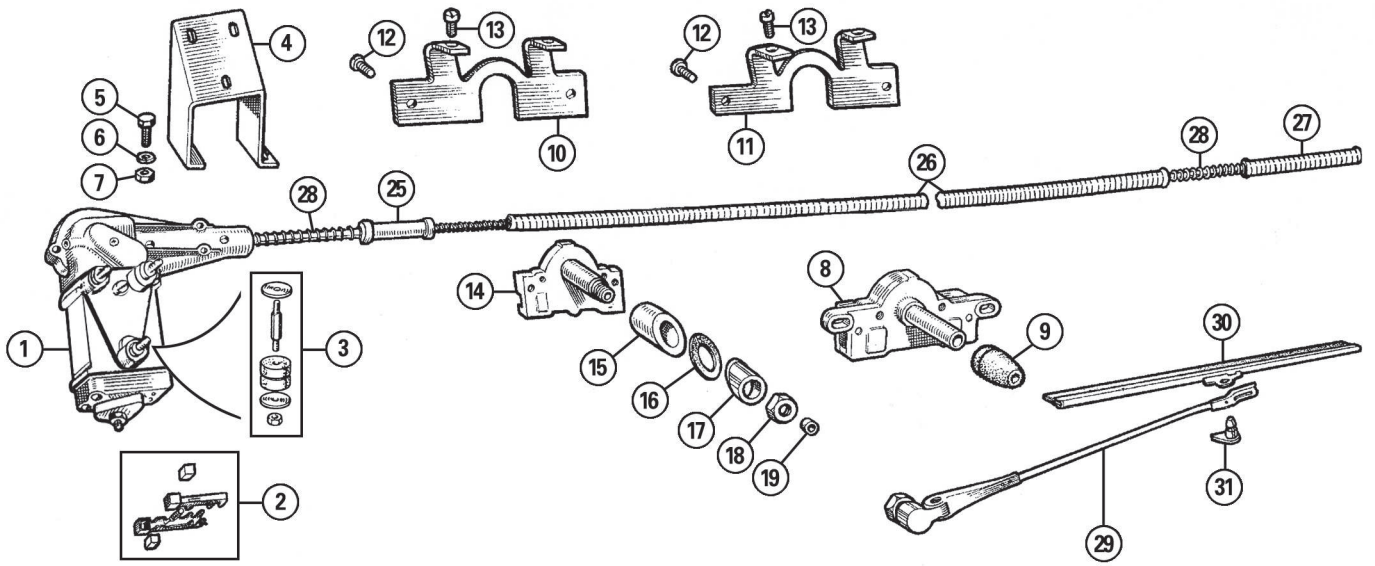
80	127916X	£54.00	NUMBER PLATE LAMP, chrome	1	OE quality
	127916	£33.60	NUMBER PLATE LAMP, chrome	1	
	127916Z	£15.10	NUMBER PLATE LAMP, chrome	1	aftermarket
	127916BLK	£34.30	NUMBER PLATE LAMP, black	1	
81	17H5385	£2.27	SCREW, chrome	1	
82	502264	£12.50	COVER, number plate lamp, chrome	1	

ill. Part Number Price Eea. Description Req. Details

	502264BLK	£12.10	COVER, number plate lamp, black	1	
83	601721A	£5.80	LENS	1	
84	GLB989	£0.94	BULB, 5W	2	
85	57H5368	£4.00	SEAL	1	
86	PWZ103	£0.24	WASHER, plain	4	
87	WL700101	£0.28	WASHER, spring	4	
88	AJD8012Z	£0.34	NUT	2	
89	27H6713	£1.76	BULLET, wiring, solderless	a/r	

Interior Lamps

90	ADA717	NCA	LAMP, interior	1	to (c) 654749
91	AAA478	NCA	COVER, interior lamp	1	
92	GLB989	£0.94	BULB, bayonet, 5W	1	
94	27H6713	£1.76	BULLET, wiring, solderless	a/r	
95	BDA492	NCA	LAMP, interior	1	from (c) 654750
96	GLB239	£0.83	BULB, festoon, 5W	1	
98	27H6713	£1.76	BULLET, wiring, solderless	a/r	



ill. Part Number Price £ea. Description Req. Details

Windscreen Wipers, Washers & Fittings

Wiper Motors - The History

Note: There were various specifications of wiper motors fitted to Minor models during production. These original items are no longer available. Please refer below to see items currently available.

8D5958	NCA	WIPER MOTOR ASSEMBLY	1	
301435		WIPER MOTOR ASSEMBLY	1	from (c) 162444
17H2707		WIPER MOTOR ASSEMBLY	1	from (c) 448801
				110° wipe
17H5360		WIPER MOTOR ASSEMBLY	1	to (c) 939635
				100° wipe
57H5552		WIPER MOTOR ASSEMBLY	1	from (c) 939636
				100° wipe
27H2408		WIPER MOTOR ASSEMBLY	1	from (c) 1039564
				120° wipe

Wiper Motors - How We Sell Them Now...

Note: Due to scarcity of wiper motors we can only offer a reconditioning service to the Customer's Own Unit (C.O.U.). Customers must remove, and retain safely, the drive gear, link & ferule before submitting unit for reconditioning service.

8D5958R	NCA	WIPER MOTOR, Lucas CRT, SII	1	recon./exchange
LULRW113R	£209.10	WIPER MOTOR, Lucas DR2, 948cc	1	recon./exchange
GXE7714	£213.30	WIPER MOTOR, Lucas DR3A, 1098cc	1	recon./exchange

Wiper Motor, Mechanism, Arms & Blades Series II (to (c) 448714)

1	8D5958	NCA	WIPER MOTOR, Lucas CRT	1	recon./exchange
---	--------	-----	------------------------	---	-----------------

Note: Less drive gear.

2	17H5201	NCA	BRUSH AND SPRING SET	1	
3	17H5431	£9.00	MOUNTING SET (Kit Includes: 1 stud, 1 nut, 2 washer, 1 grommet).	3	
4	AAA1969	NCA	MOUNTING BRACKET	1	
5	AJD1012	£1.84	BOLT	4	
6	WL700101	£0.28	WASHER, spring	4	
7	AJD8012Z	£0.34	NUT	4	
8	AAA446	NCA	WHEELBOX ASSEMBLY	2	to (c) 162443
9	AAA2253	NCA	GROMMET, wheelbox	2	
10	129559	NCA	BRACKET, wheelbox, RH	1	
11	AAA1590	NCA	BRACKET, wheelbox, LH	1	
12	AJD1243Z	£0.83	BOLT	4	
13	AJD4244C	£1.12	BOLT	4	
14	AAA2340	NCA	WHEELBOX ASSEMBLY	2	from (c) 162444
15	AAA2388	NCA	BUSH, wheelbox to body	2	
16	AAA2339	NCA	GASKET	2	
17	AAA2337	NCA	BEZEL, chrome	2	
18	7H5326	NCA	NUT	2	
19	ANK3458	NCA	TUBE, spindle rubber	2	
25	AAA445	NCA	RACK CASING, motor to wheelbox	1	
26	AKA455	NCA	RACK CASING, between wheelboxes	1	
27	AAA444	NCA	RACK CASING, rack end	1	
28	501730	£30.60	RACK, wheel box drive (Requires cutting to correct length).	1	
29	4G4840	£18.40	WIPER ARM, RH	1	
	4G4839	£18.40	WIPER ARM, LH	1	
30	2H9381	£6.20	WIPER BLADE	2	
31	27H7954	£0.95	PEG, wiper arm to blade	2	

Wiper Motor, Mechanism, Arms & Blades 948 & 1098cc (from (c) 448801)

50	LULRW113R	£209.10	WIPER MOTOR, Lucas DR2, 948cc	1	recon./exchange
	GXE7714	£213.30	WIPER MOTOR, Lucas DR3A, 1098cc	1	recon./exchange

Note: LULRW113R & GXE7714 do not include drive gear.

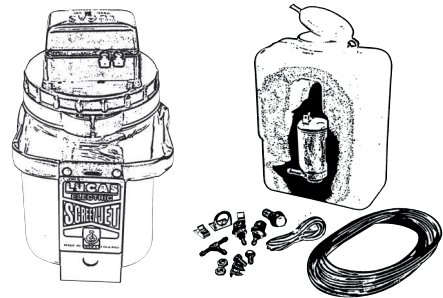
51	508170	£8.70	BRUSH SET, carbon, pair	1	
52	17H5431	£9.00	MOUNTING SET (Kit Includes: 1 stud, 1 nut, 2 washers, 1 grommet).	3	
53	37H5201	NCA	WHEELBOX ASSEMBLY	2	'Clap' wipers
	ADA4175	NCA	WHEELBOX ASSEMBLY	2	from (c) 1039564
54	17H5390	NCA	SCREW	4	
55	37H5431	NCA	BUSH, inner	2	
56	ADC560	£0.64	SEAL, bezel to body	2	
57	37H5430	NCA	BEZEL, wheelbox	2	
58	37H5286	NCA	NUT	2	
59	13H68	£16.90	WIPER ARM, RH, 'spoon fitting'	1	'Clap' wipers
	13H66	£15.60	WIPER ARM, LH, 'spoon fitting'	1	to (c) 1039563
60	GWB145	£14.40	WIPER BLADE, 'spoon fitting'	2	
61	37H6580	£17.10	WIPER ARM, 'straight fitting'	2	'Tandem' wipers

ill. Part Number Price £ea. Description Req. Details

62	GWB223	£8.60	WIPER BLADE, 'straight fitting'	2	from (c) 1039564
63	RTC202A	£12.60	RACK, wheelbox drive (Requires cutting to correct length).	1	
64	37H5205	NCA	RACK TUBING, motor to wheelbox	1	
	ADA4172	NCA	RACK TUBING, motor to wheelbox	1	from (c) 1039564
65	37H5206	NCA	RACK TUBING, between wheelboxes	1	
	ADA4173	NCA	RACK TUBING, between wheelboxes	1	from (c) 1039564
66	575047A	£5.20	RACK TUBING, rack end	1	
67	C5574A	£4.50	GROMMET, rack tubing	1	

Note: Items 64 & 65 are no longer available. Please purchase AAU1909A and cut to required lengths and flare ends.

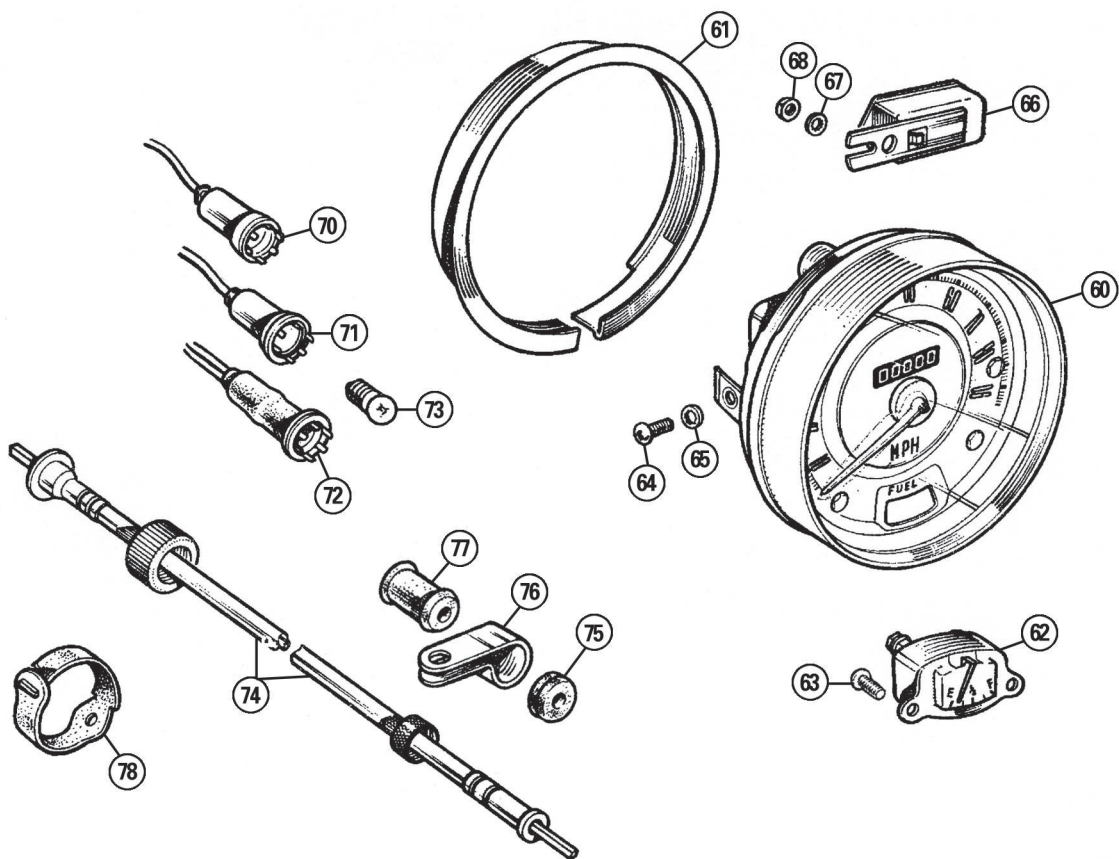
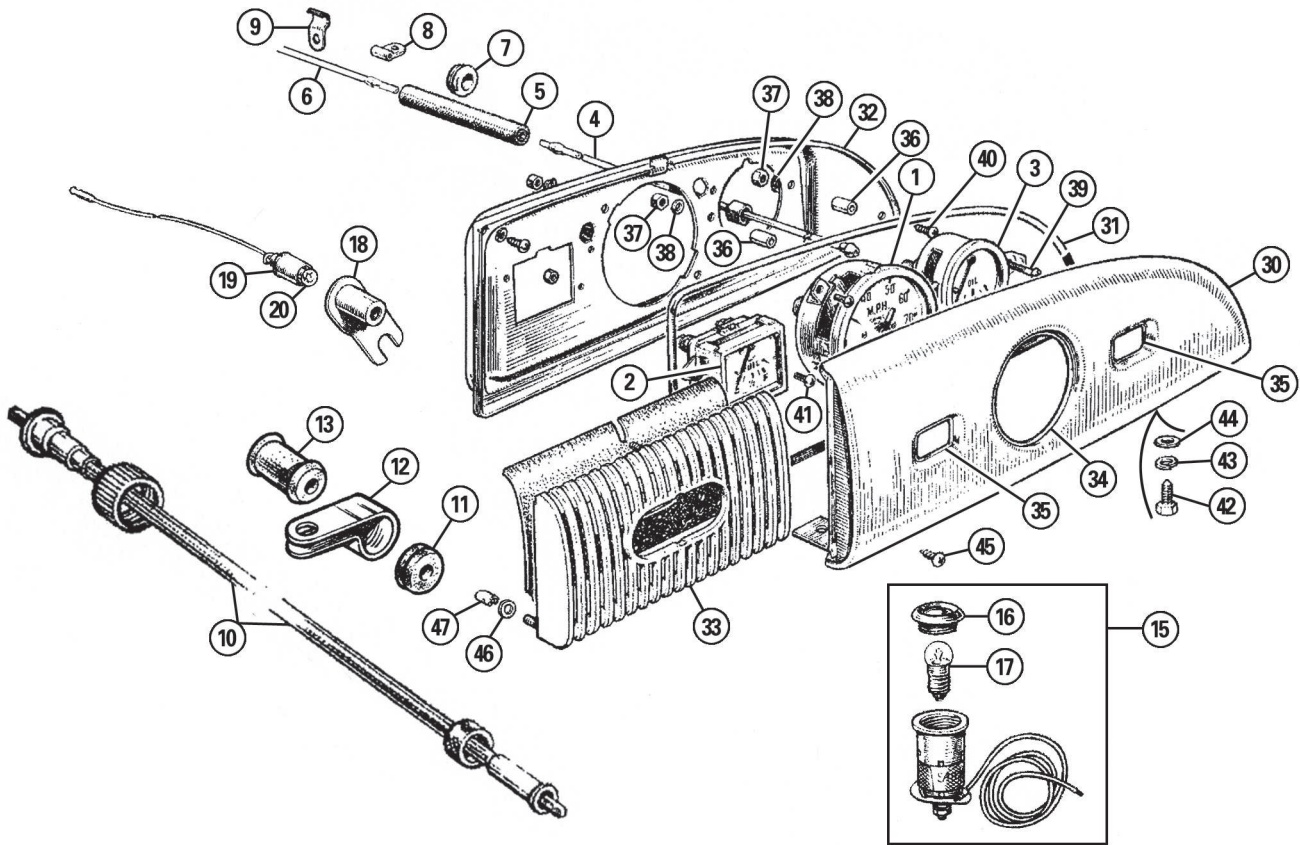
	AAU1909A	£20.00	RACK TUBING & NUT (This is a 900mm length of tubing with flared ends & nut. It can be cut & flared to make replacement rack tubing).	a/r	
80	GWW918K	£12.90	WASHER BOTTLE & CAP	1	
	GAC9214X	£15.95	WASHER BOTTLE & CAP	1	Tudor label
81	GWW506	£2.30	VALVE, non-return	1	
82	CRST124	£2.32	LABEL, 'Tudor'	1	
83	13H232	£6.70	BRACKET, washer bottle	1	
	13H232SS	£9.70	BRACKET, washer bottle, s/steel	1	alternative
	GAC9215X	£8.40	BRACKET, washer bottle	1	only for GAC9215X
84	PMZ306	£0.58	SCREW, bracket to inner wing	2	
85	PWZ103	£0.24	WASHER, plain	2	
86	WL700101	£0.28	WASHER, spring	2	
87	GHF206	£0.30	NUT	2	
88	GWW102	£18.90	WASHER PUMP, manual	1	
	GWW102B	NCA	WASHER PUMP, manual, plastic	1	
89	GWW102Z	NCA	WASHER PUMP, manual, aftermarket	1	
90	GWW202M	£2.20	TUBING, 4mm ID, per metre	a/r	
91	GWW201M	£1.18	TUBING, 3mm ID, per metre	a/r	
92	GWW404	£1.84	'T' PIECE	1	
93	061917	£0.96	GROMMET	2	
94	MM802-805	£14.90	WASHER JET, period	a/r	
95	GWW802	£3.80	WASHER JET, single chrome	a/r	
96	GWW801	£4.90	WASHER JET, twin chrome	a/r	
97	GWW829	£3.70	WASHER JET, plastic	a/r	
98	GWW125	£10.50	WASHER PUMP, electric	a/r	
99	PMZ308	£0.36	SCREW	a/r	
100	WL700101	£0.28	WASHER, spring	a/r	
101	GHF206	£0.30	NUT	a/r	
102	3H3058	£12.50	SWITCH, push button, momentary (Use with electric pumps GWW125).	a/r	



Electric Screen Washer Kits

We offer a choice of a stylish period glass bottle washer kit or a universal washer kit with a plastic bottle and integrated pump.

GAC9211X	£313.60	PERIOD GLASS WASHER BOTTLE KIT	1	(This kit includes washer bottle, cap with pump & bracket only).
GAC9213X	£37.70	UNIVERSAL SCREEN WASHER KIT	1	(Includes bottle, bracket, pump, switch, plastic washer jets, tubing, wiring & hardware).



iii. Part Number Price £ea. Description Req. Details

Instruments

Instruments: Offset Speedo. To: 2 Door (c) 291139; 4 Door (c) 290172; Tourer (c) 291335; Traveller (c) 289686

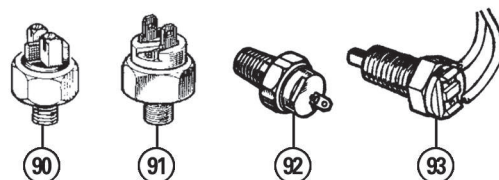
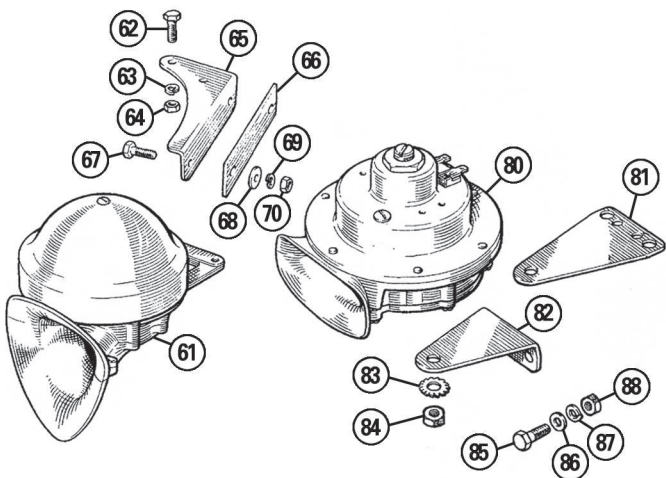
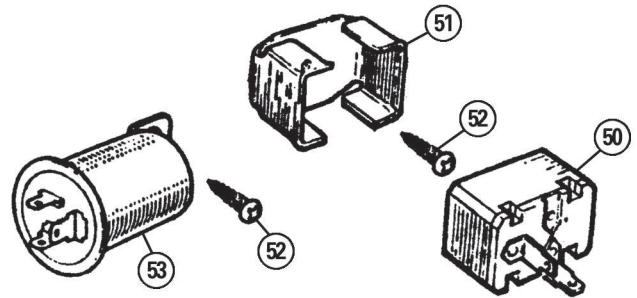
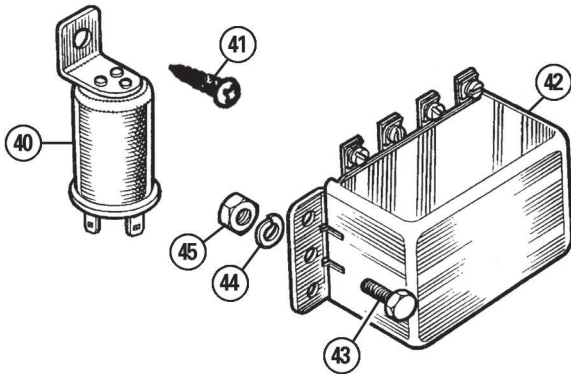
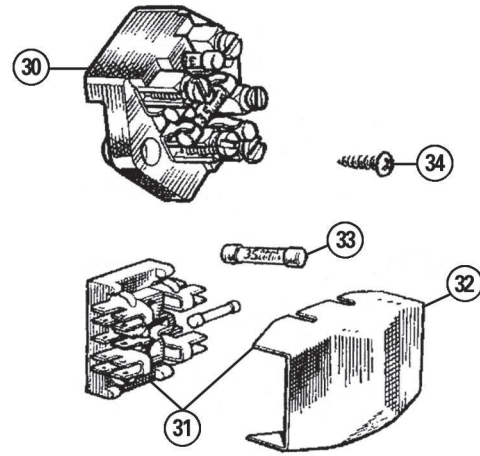
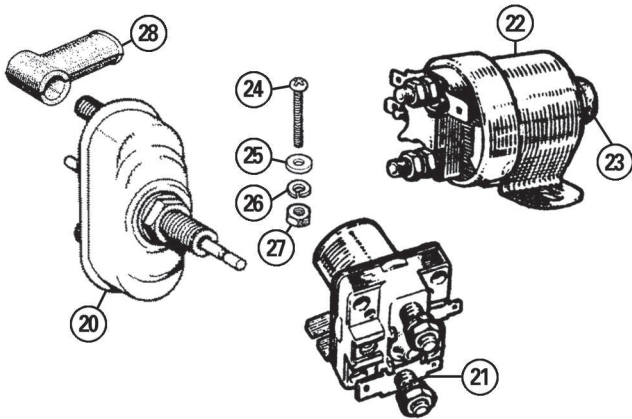
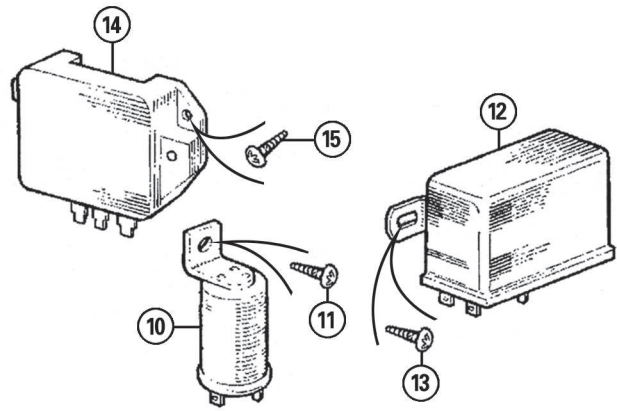
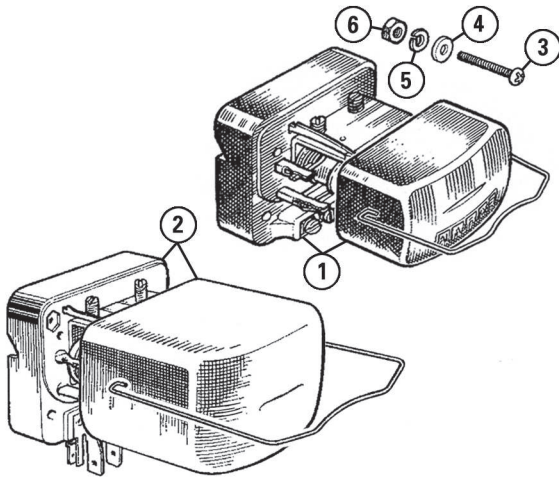
1	AAA3794R	£63.70	SPEEDOMETER, MPH	1	recon./exchange
	AAA3795R	£63.70	SPEEDOMETER, KPH	1	recon./exchange
2	AAA2097R	£77.70	GAUGE, fuel	1	
	X86036/2R	£51.80	GAUGE, fuel	1	to (c) 291139
3	AAA428R	£51.80	GAUGE, oil pressure	1	
4	AAA3911	NCA	PIPE, gauge to hose, short, RHD	1	
	AAA3912	NCA	PIPE, gauge to flexible, long, LHD	1	
5	ACA5420	£10.00	HOSE, oil gauge flexible	1	
6	AAA4012	NCA	PIPE, engine to flexible	1	
7	061917	£0.96	GROMMET, oil gauge pipe	1	
8	ACB8744	NCA	CLIP, pipe	1	
9	ACA5414	NCA	CLIP, pipe to battery box	1	
10	GSD114	£18.60	SPEEDO CABLE, RHD, 66"	1	
	GSD113	£25.00	SPEEDO CABLE, LHD, 51"	1	
11	ACB8474	£1.76	GROMMET	1	
12	PCR809	£1.18	CLIP	1	from (c) 448801
13	ACH8529	£3.60	FERRULE	1	
15	2H2838	£42.70	WARNING LAMP	1	
16	27H5024	NCA	RIM & GLASS	1	
17	GLB987	£0.71	BULB, screw, 2.2W	1	
18	AAA2079	NCA	WARNING LAMP, indicators	1	from (c) 224166 to 291139
	134541	NCA	WARNING LAMP, side lights	1	to (c) 224165
19	13H1927	£6.10	BULB HOLDER	2	
20	GLB987	£0.71	BULB	2	
30	AAA2114	NCA	FASCIA PANEL, RHD	1	
	135781	NCA	FASCIA PANEL, LHD	1	
31	AAA3004	NCA	SEALING RING	1	
32	AAA2115	NCA	BACKPLATE, RHD	1	
	135784	NCA	BACKPLATE, LHD	1	
33	AAA3706	NCA	FASCIA GRILLE	1	
34	182728	NCA	BEZEL, round, speedo	1	
35	AAA6178	NCA	BEZEL, square, gauges	2	
36	ADA1556	NCA	BUSH, support, RHD	2	
	133342	NCA	BUSH, support, LHD	2	
37	AJD8012Z	£0.34	NUT	4	
38	WL700101	£0.28	WASHER, spring	4	
39	AJD1248Z	£0.71	SCREW	2	
40	AJD1943ZP	NCA	SCREW	3	
41	AJD1943Z	NCA	SCREW	2	
42	AJD1032	£1.99	SCREW	2	
43	WL700101	£0.28	WASHER, spring	2	
44	PWZ103	£0.24	WASHER	2	
45	AB606031	£0.40	SCREW	1	
46	AAA3905	NCA	WASHER, spring	3	
47	BNK4903	NCA	NUT	3	

Instruments: 'Centre Speedo'. From: 2 Door (c) 291140; 4 Door 290173; Tourer (c) 291336; Traveller (c) 289687

60	AJA5063R	£63.70	SPEEDO, MPH - SN4401/09, bronze face	1	803-948cc - 5.375:1
	AJA5064R	£63.70	SPEEDO, KPH - SN4401/04, bronze face	1	diff, Saloon & Tourer to (c) 579227 Traveller Traveller to (c) 572906
	17H1547R	£63.70	SPEEDO, MPH - SN4406/08, bronze face	1	803-948cc - 5.375:1
	17H1548R	£63.70	SPEEDO, KPH - SN4406/09, bronze face	1	diff, Saloon & Tourer
	17H2283R	£63.70	SPEEDO, MPH - SN4477/10, bronze face	1	from (c) 579228 to 990289, Traveller from (c) 572907 to 990289
	17H701R	£69.40	SPEEDO, MPH - SN4401/15, bronze face	1	4.555:1 diff
	37H721R	£63.70	SPEEDO, MPH - SN4451/15, bronze face	1	Saloon & Tourer from (c) 448801 to 579227, Traveller from (c) 448801 to 572906
	17H1545R	£63.70	SPEEDO, MPH - SN4466/00, bronze face	1	4.555:1 diff
	27H1824R	£66.30	SPEEDO, MPH - SN4407/00, bronze face	1	Saloon & Tourer from (c) 579228 to 953663, Traveller from (c) 572907 to 953663
	17H2085R	£63.70	SPEEDO, MPH - SN4477/00, bronze face	1	4.555:1 diff, Saloon & Tourer from (c) 953664 to 990289

iii. Part Number Price £ea. Description Req. Details

17H3664R	£63.70	SPEEDO, MPH - SN4477/80, bronze face	1	1098cc - 4.22:1 diff 2 door from (c) 990290 to 1082279, 4 door from (c) 990290 to 1082283, Tourer from (c) 990290 to 1082716 Traveller from (c) 990290 to 1082536	
17H3665R	£63.70	SPEEDO, KPH - SN4477/31, bronze face	1	1098cc - 4.22:1 diff 2 door from (c) 990289 to 1082279, 4 door from (c) 990289 to 1082283, Tourer from (c) 990289 to 1082716 Traveller from (c) 990290 to 1082536	
BCA4886R	£94.90	SPEEDO, MPH - SN4419/04, black face	1	1098cc - 4.22:1 diff 2 door from (c) 1082280 to 1203563, 4 door from (c) 1082284 to 1203563, Tourer from (c) 1082717 to 1203563, Traveller from (c) 1082537 to 1203563	
BCA4887R	£63.70	SPEEDO, KPH - SN4419/05, black face	1	1098cc - 4.22:1 diff 2 door from (c) 1082280 to 1206703, 4 door from (c) 1082284 to 1206703, Tourer from (c) 1082717 to 1206703, Traveller from (c) 1082537 to 1206703	
37H2537R	£63.70	SPEEDO, MPH - SN4423/06, black face	1	1098cc - 4.22:1 diff all models from (c) 1203563	
37H2538R	£63.70	SPEEDO, KPH - SN4423/07, black face	1	1098cc - 4.22:1 diff all models from (c) 1206703	
BCA4930R	£63.70	SPEEDO, KPH - SN4419/12, black face	1	1098cc models with SP145-14 tyres	
61	ADA1587	NCA	FILLET, gauge locating	1	
62	ADA1666R	£51.80	GAUGE, fuel	1	bronze face
	13H2133E	£51.80	GAUGE, fuel	1	black face
63	AJC5077	NCA	SCREW, fuel gauge to speedo	2	
64	AJA5066	NCA	SCREW	2	
65	WF702101	£0.40	WASHER, shake-proof	2	
66	13H3554	NCA	VOLTAGE STABILIZER	1	from (c) 1082280
67	WF702101	£0.40	WASHER, shake-proof	1	
68	FNZ103	£0.34	NUT	1	
70	ACH5542	NCA	BULB HOLDER	2/1	indicator & headlamp warning lamp
71	37H5181	£10.80	BULB HOLDER	2	oil & ignition warning lamps
72	AJA5068	NCA	BULB HOLDER, gauge illumination	2	
73	GLB987	£0.71	BULB, screw, 2.2W	6/5	qty. Reduced at (c) 549923
74	GSD115	£12.10	SPEEDO CABLE	1	
75	RFN305	£0.90	GROMMET, speedo cable	1	from (c) 549780, approx.
76	PCR809	£1.18	CLIP	1	from (c) 448801
77	ACH8529	£3.60	FERRULE	1	
78	13H6107	£2.38	STRAP, speedo cable	1	



ill. Part Number Price £ea. Description Req. Details

Switches & Controls

Voltage Regulators

Regulator: Dynamo

1	3H1835	£45.20	REGULATOR, voltage, screw terminals	1	
2	GEU6603	NCA	REGULATOR, voltage, spade terminals	1	from (c) 990290
3	PMZ320	£0.68	SCREW, 3/16" UNF	2	
4	PWZ103	£0.24	WASHER, plain	2	
5	WL700101	£0.28	WASHER, spring	2	
6	GHF206	£0.30	NUT	2	

Regulator: 11AC Alternator

10	BMK1092A	£43.30	CONTROL RELAY, warning light	1	
11	GHF425	£0.24	SCREW	2	
12	142169A	£26.60	FIELD RELAY	1	
13	GHF425	£0.24	SCREW	2	
14	GEU6609	£44.00	REGULATOR BOX	1	
15	GHF426	£0.24	SCREW	1	

Starter Solenoids

20	3H949	£36.30	SWITCH, starter	1	pull starter
21	BMK1727	£11.00	STARTER SOLENOID, square	1	key starter from (c) 1039564
22	BCA4501	£32.70	STARTER SOLENOID, round	1	alternative
23	27H5576	£3.30	COVER, plunger	1	
24	PMZ312	£0.82	SCREW	2	
25	GHF306	£0.34	WASHER, plain	2	
26	WL700101	£0.28	WASHER, spring	2	
27	GHF206	£0.30	NUT	2	
28	8G548	£1.55	BOOT, terminal insulation	2	(Suitable for all types of solenoid).

Fuse Boxes

30	1G2613	£21.90	FUSE BOX, SF6 type	1	
31	606253A	£13.00	FUSE BOX, 4FJ type	1	from (c) 1039564
32	505158A	£4.80	COVER, fuse box	1	
33	GFS35X	£0.56	FUSE, 35A, single	a/r	
	GFS3035	£2.50	FUSES, 35A, packet of 5	a/r	
34	GHF426	£0.24	SCREW	2	

Flasher Units & Relays

Relay Flasher Type: Export Market

40	GFU2101	£7.70	FLASHER UNIT, round, screw terminals	1	
	GFU2103	£10.10	FLASHER UNIT, round, spade terminals	a/r	alternative
41	GHF426	£0.24	SCREW	1	
42	3H1454	£72.50	RELAY UNIT, indicator & stop lights	1	
43	320-960	£1.51	BOLT, 1/4" BSF	3	
	SH604041	£0.44	SCREW, 1/4" UNF	3	
44	GHF331	£0.42	WASHER, spring	3	
45	AJD8104	£0.56	NUT, 1/4" BSF	3	
	GHF200	£0.48	NUT, 1/4" UNF	3	

Separate Indicator Type: All Markets From (c) 990290

50	GFU2124	£5.20	FLASHER UNIT, square	1	from (c) 990290
51	BHA4780	£3.60	CLIP, square	1	
52	AB606031	£0.40	SCREW, clip to bulkhead	1	
53	GFU2101	£7.70	FLASHER UNIT, round, screw terminals	1	alternatives
	GFU2103	£10.10	FLASHER UNIT, round, spade terminals	1	

Horns

	1B9007/8	£70.80	HORN SET, 'Windtone', pair	1	
61	1B9007	£39.50	HORN, 'Windtone', low	1	
	1B9008	£39.50	HORN, 'Windtone', high	1	
62	AJD6106Z	£2.15	BOLT, 1/4" BSF, horn to bracket	2/4	
	GHF101	£0.34	BOLT, 1/4" UNF, horn to bracket	2/4	
63	GHF331	£0.42	WASHER, spring	2	
64	AJD8104	£0.56	NUT, 1/4" BSF	2/4	
	GHF200	£0.48	NUT, 1/4" UNF	2/4	
65	AAA2107	£29.90	BRACKET, horn, RH	1	
	AAA2088	£29.90	BRACKET, horn, LH	1	
66	AAA2170	NCA	BACKING PLATE	1/2	
67	AJD6255Z	£1.40	BOLT, 5/16" BSF	2/4	
	SH605061	£0.24	BOLT, 5/16" UNF	2/4	
68	GHF301	£0.10	WASHER, plain	2/4	
69	GHF332	£0.43	WASHER, spring	2/4	
70	AJD8105Z	£0.34	NUT, 5/16" BSF	2/4	
	GHF201	£0.18	NUT, 5/16" UNF	2/4	
80	GGE101	£14.20	HORN, high tone, single terminal	1	from (c) 990290
	GGE102	£14.20	HORN, low tone, single terminal	1	
	GGE164	£12.10	HORN, high tone, twin terminal	1	plastic alternatives
	GGE165	£12.10	HORN, low tone, twin terminal	1	
	BHA4515	£43.80	HORN, high tone, twin terminal	1	metal alternatives
	BHA4514	£43.80	HORN, low tone, twin terminal	1	
81	57H5309	£2.70	BRACKET, horn mounting, straight	2	

ill. Part Number Price £ea. Description Req. Details

82	GGE110	£5.30	BRACKET, horn mounting, angled	2	
	GGE110SS	£9.60	BRACKET, horn mounting	2	stainless steel
83	GHF322	£0.24	WASHER, shake-proof	a/r	
84	GHF202	£0.36	NUT, 5/16" UNF	a/r	
	GHF213	£0.30	NUT, M8	a/r	

Note: Some replacement horns use an M8 fixing stud. Check horn before ordering.

85	AJD6308Z	£1.90	BOLT, 3/8" BSF	1	
	SH606061	£0.82	BOLT, 3/8" UNF	1	
86	PWZ206	£0.71	WASHER	1	
87	GHF333	£0.34	WASHER, spring	1	
88	AJD8106Z	£0.50	NUT, 3/8" BSF	1	
	GHF202	£0.36	NUT, 3/8" UNF	1	

Brake Light Switches

90	13H2303	£7.50	SWITCH, brake light, screw terminals	1	to (c) 990289
91	C16062A	£5.10	SWITCH, brake light, spade terminals	1	from (c) 990290

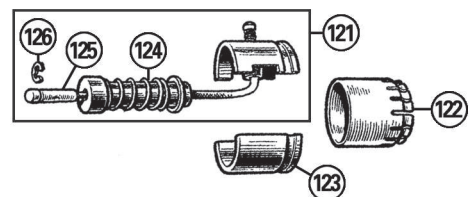
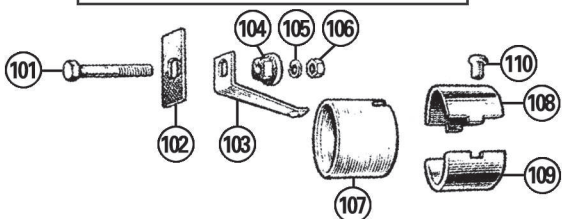
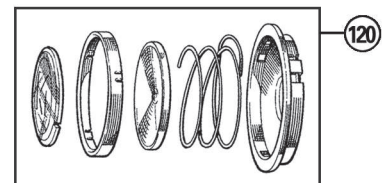
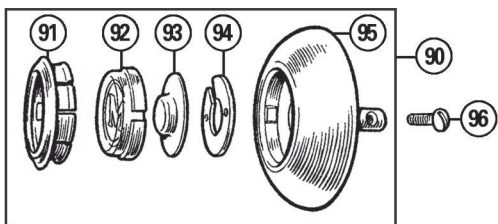
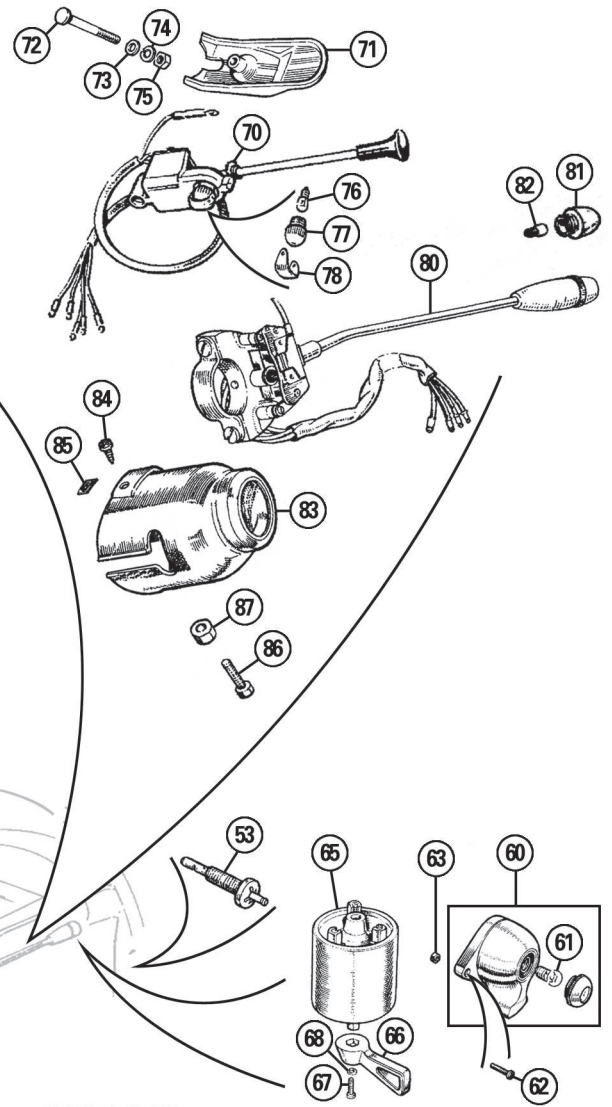
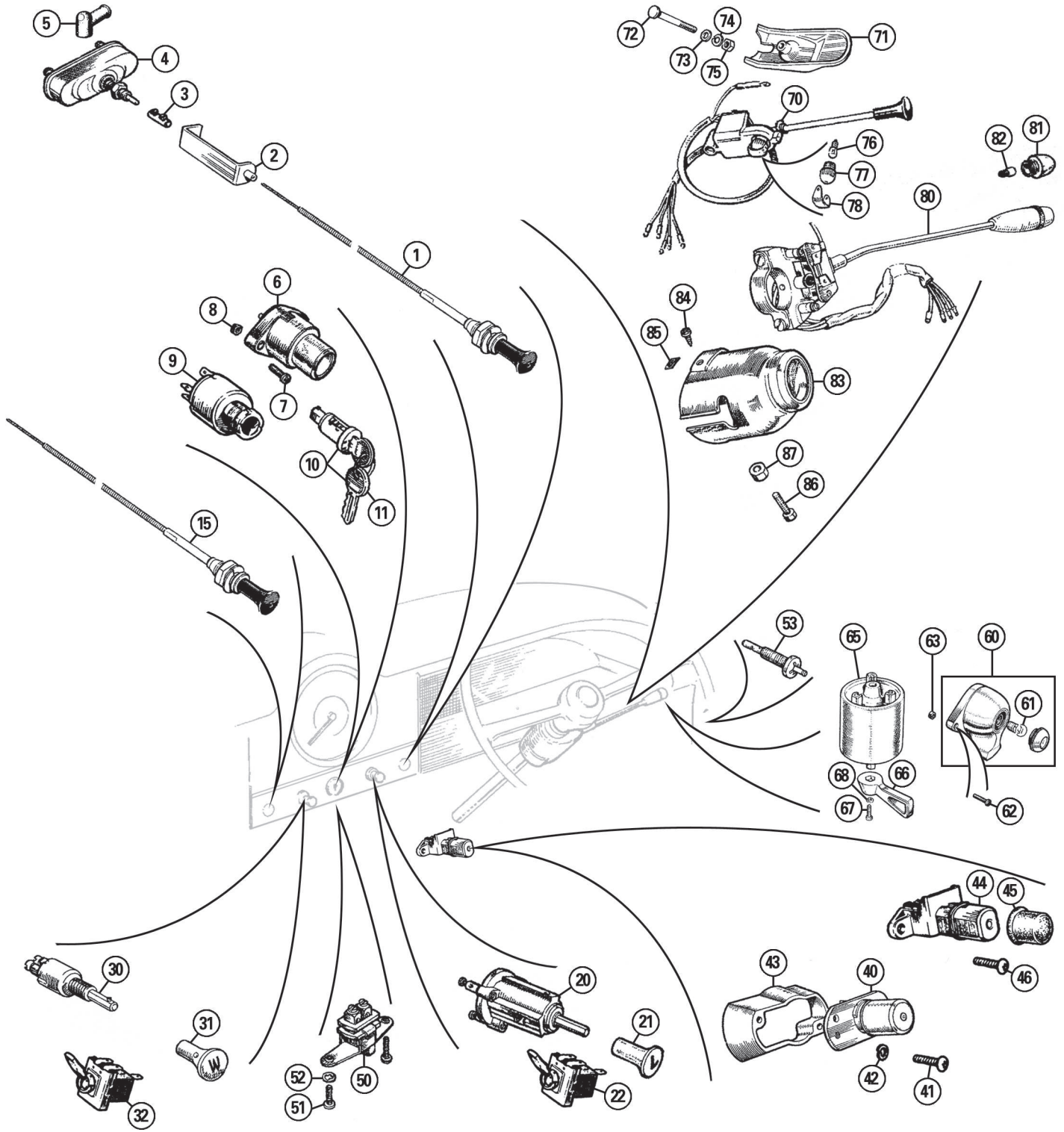
Oil Pressure Light Switch

92	GPS133	£4.20	SWITCH, oil pressure warning	1	
----	--------	-------	------------------------------	---	--

Reverse Light Switches

93	13H4216Z	£22.80	SWITCH, reverse light	a/r	
----	----------	--------	-----------------------	-----	--

Note: This is the Sprite & Midget switch that fits into the remote housing and allows the fitting of automatically operating reverse lamps. It can be used in conjunction with accessory lamps, please see Accessories section. Check your gearbox for compatibility with this switch.



ill. Part Number Price Eea. Description Req. Details

Fascia Switches & Controls

Starter Switches

Starter Switch: Pull Starter

1	AAA2315	NCA	CABLE, starter switch	1	
	ACA5317	NCA	CABLE, starter switch	1	from (c) 324359
2	AAA1534	NCA	BRACKET, cable to switch	1	
3	3H950	£13.50	CONNECTOR, cable to switch	1	
4	3H949	£36.30	SWITCH, starter	1	
5	8G548	£1.55	BOOT, terminal insulation	2	
6	3H810	NCA	SWITCH, ignition	1	
7	AJD1844Z	NCA	SCREW	2	
8	AJD8105Z	£0.34	NUT	2	
9	13H337	NCA	SWITCH, ignition & starter	1	key starter from (c) 103956410
	13H337Z	£15.50	SWITCH, ignition & starter	1	
	24G1345	£9.00	BARREL & KEY, ignition	1	
	24G1345Z	£8.50	BARREL & KEY, ignition, aftermarket	1	
11	17H2475	£2.90	KEY, blank	a/r	
	KEY/FS	NCA	KEY, 'FS' numbered	a/r	

Note: Please specify your lock's 'FS' number when ordering.

Choke Cables

15	ACA5101	NCA	CHOKE CABLE	1	to (c) 448714
	ACA5316	NCA	CHOKE CABLE	1	from (c) 448801
	ACA8019	£25.80	CHOKE CABLE	1	from (c) 750470
	ACA8227	£12.50	CHOKE CABLE	1	from (c) 1153739

Headlamp Switches

20	3H3098	£28.30	SWITCH, headlamps, push/pull	1	less knob
21	AAA438	NCA	KNOB, headlamp switch	1	
	AJA5003	NCA	KNOB, headlamp switch	1	from (c) 165355
	AHH5360	£4.60	KNOB, headlamp switch	1	from (c) 448801
22	BCA4294	£12.10	SWITCH, headlamps, toggle	1	from (c) 1039564

Wiper Switches

30	2H4841	£19.20	SWITCH, wipers, push/pull	1	
31	AAA174	NCA	KNOB, wiper switch	1	to (c) 247514
	AKA456	NCA	KNOB, wiper switch	1	from (c) 247515
	AKA458	NCA	KNOB, wiper switch	1	from (c) 291140
	AHH5364	£4.60	KNOB, wiper switch	1	from (c) 448801
32	149011A	£25.50	SWITCH, wipers, toggle	1	from (c) 1039564
	149011	£18.30	SWITCH, wipers, toggle, aftermarket	1	from (c) 1039564

Headlamp Dip Switches

40	11G2007	£34.90	SWITCH, headlamp dip	1	
41	SE910201	£0.71	SCREW	2	
42	WL700101	£0.28	WASHER, spring	2	
43	ACA5405	NCA	PLINTH	1	RHD from (c) 471484
44	RTC432A	£12.40	SWITCH, headlamp dip	1	from (c) 1039564
45	RTC432CAP	NCA	CAP, rubber	1	
46	GHF426	£0.24	SCREW	2	

General Switches

50	BHA4698	£26.00	SWITCH, panel light	1	to (c) 1039563
51	AJD1842Z	NCA	SCREW	2	
52	WL700061	£0.34	WASHER, spring	2	
53	2A458	NCA	SWITCH, courtesy light	2	from (c) 654750 to 1039563

Trafficator & Indicator Switches

Dashboard Mounted Switches

60	140-600	£214.50	SWITCH, turn signal	1	2 door & Tourer
61	GLB987	£0.71	BULB	1	
62	AJD1744Z	NCA	SCREW, switch to fascia/bracket	2	
63	AJD8016Z	£0.34	NUT	2	
	4K3754MFK	NCA	SCREW & NUT KIT	1	
65	AMK5607	£110.80	SWITCH, turn signal	1	4 door
66	11K9308	£4.20	LEVER, switch	1	
67	AAA4712	NCA	SCREW	1	
68	17H5484	NCA	WASHER, spring	1	

Column Mounted 'Stalk' Switches

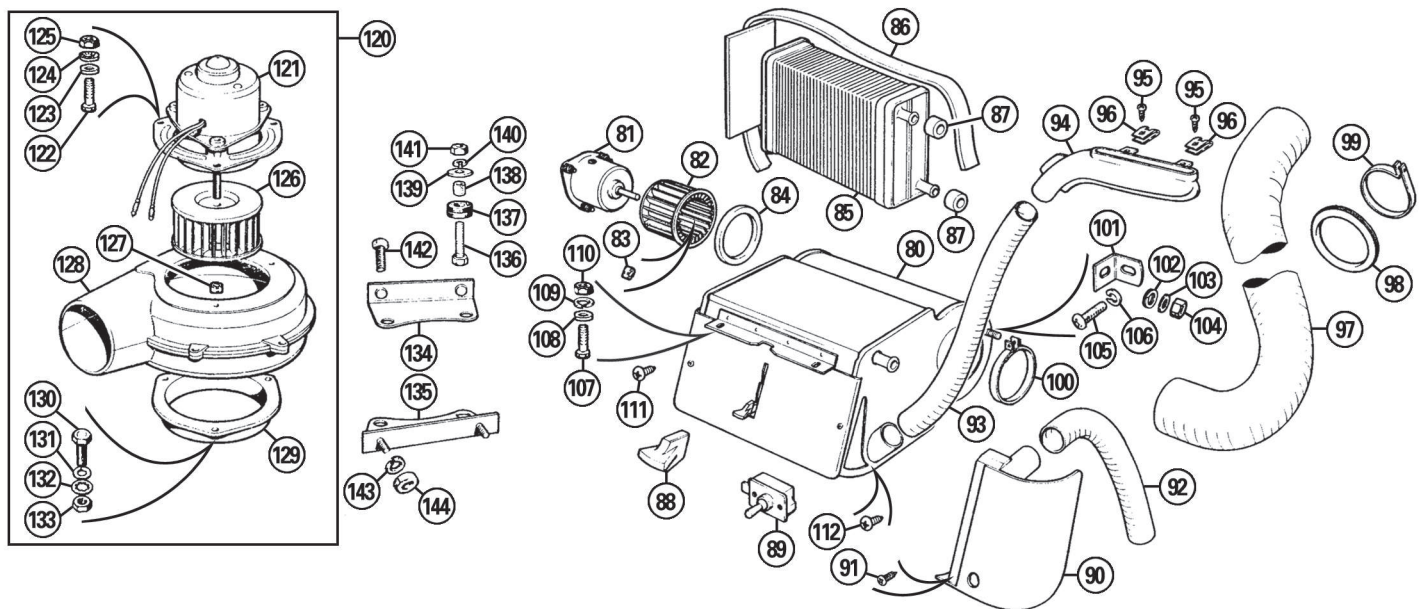
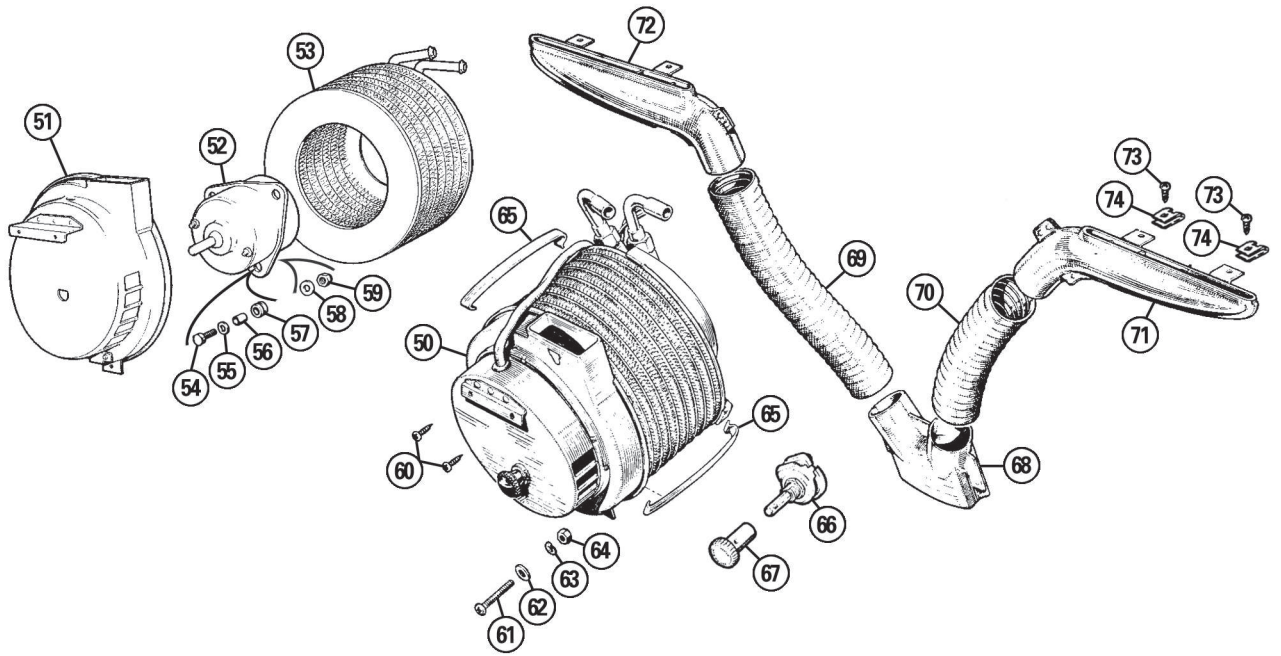
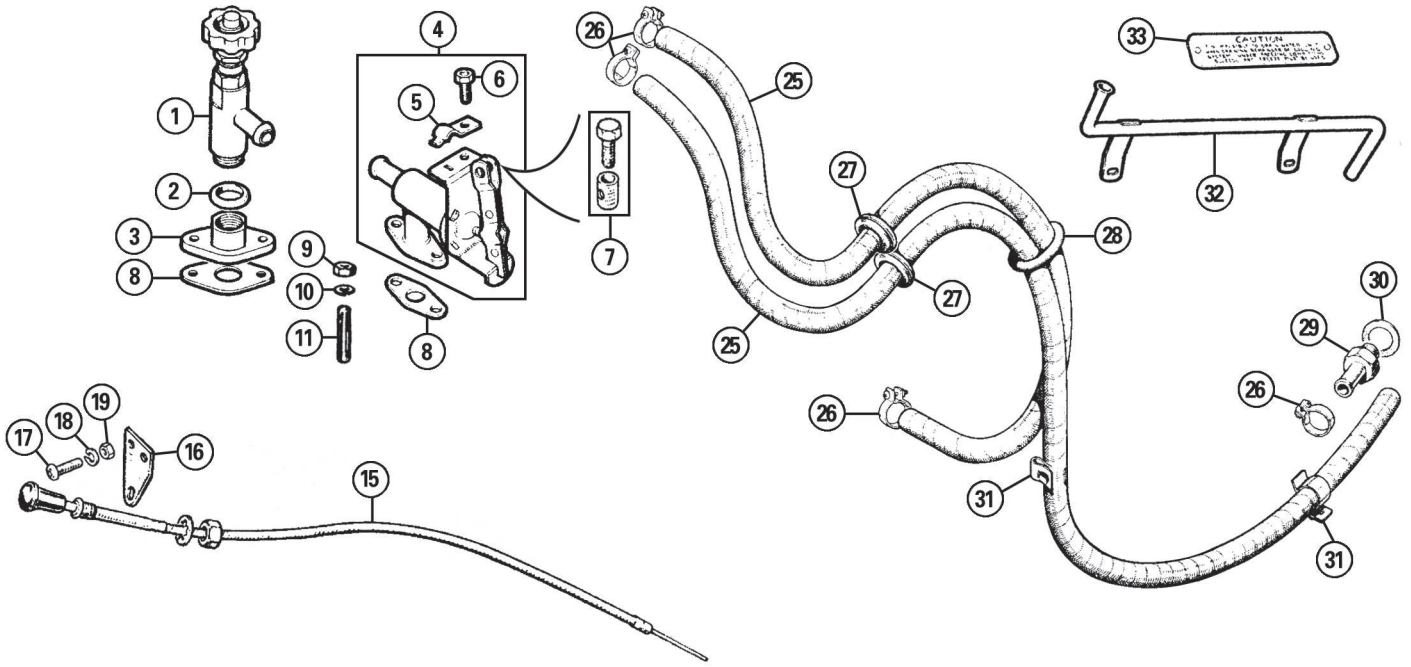
70	37H5537	NCA	SWITCH, indicator & horn	1	from (c) 448801
	BCA4105	NCA	SWITCH, indicators & horn, RHD	1	from (c) 549923
	BCA4106	NCA	SWITCH, indicators & horn, LHD	1	to 705621
71	ACA5331	NCA	COVER, lower	1	
72	ACA5332	NCA	BOLT, switch to column	1	

ill. Part Number Price Eea. Description Req. Details

73	PWZ103	£0.24	WASHER	1	
74	WL700101	£0.28	WASHER, spring	1	
75	FNZ103	£0.34	NUT	1	
76	GLB280	£1.50	BULB	1	
77	57H5188	NCA	WINDOW, warning lamp, amber	1	
78	47H5189	NCA	COVER, lamp	1	
80	BCA4346	£112.10	SWITCH, indicator	1	from (c) 705622
81	47H5200	£2.90	WINDOW, warning lamp, green	1	
82	GLB280	£1.50	BULB	1	
83	21G6052	NCA	COWL	1	
84	AB606043	£0.64	SCREW, cowl to column	3	
85	PFS306	NCA	SPIRE CLIP	3	
86	31G180	NCA	STUD, indicator switch trip	1	
87	FNZ103	£0.34	NUT	1	

Horn Push

90	AAA2312	NCA	HORN PUSH ASSEMBLY	1	to (c) 448714
	BCA4177	NCA	HORN PUSH ASSEMBLY	1	from (c) 705622
91	7H5468	£17.70	RETAINER, button	1	
92	AJA5005	NCA	BUTTON	1	to (c) 448714
	47H5112	NCA	BUTTON	1	from (c) 705622
93	27H5397	NCA	CUP, contact	1	
94	7H5138	NCA	BASE, contact	1	
95	47H5113	NCA	COVER	1	
96	27H5051	NCA	SCREW	1	
	AAA2314	NCA	SLIP RING & CONTACT ASSEMBLY	1	
101	AJD1052	£1.70	BOLT, contact to column	1	
102	AAA1924	NCA	INSULATOR	1	
103	AAA1925	NCA	BRUSH, contact	1	
104	AAA1923	NCA	SLEEVE, brush	1	
105	WL700101	£0.28	WASHER, spring	1	
106	AJD8012Z	£0.34	NUT	1	
107	AAA1933	NCA	SLIP RING	1	
108	AAA1934	NCA	BLOCK	1	
109	AAA1935	NCA	BLOCK, lower	1	
110	AAA1890	NCA	THIMBLE	1	
120	67H5015	£61.20	HORN PUSH ASSEMBLY	1	from (c) 1082280
121	BCA4505	NCA	SLIP RING & CONTACT ASSEMBLY	1	
122	27H5401	NCA	SLIP RING	1	
123	57H5472	NCA	BLOCK	1	
124	47H5541	NCA	SPRING	1	
125	47H5542	NCA	CONTACT	1	
126	47H5539	NCA	CLIP	1	



ill.	Part Number	Price Eea.	Description	Req.	Details
Heaters & Ventilation					
Heater Controls, Taps & Pipes					
1	88G588	£16.30	HEATER TAP	1	to (c) 1039563 approx.
2	AAA836	£0.96	WASHER, sealing	a/r	
3	ACA5456	£5.30	ADAPTOR, heater valve to head	1	from (c) 1039564 approx.
4	JJC10018	£28.90	VALVE, heater, cable operated	1	
5	27H1193	£1.99	CLIP, cable outer to valve	a/r	1
6	53K1016	£0.68	SCREW, clip	a/r	
7	AUE34	£2.50	TRUNNION	1	2
8	88G221	£0.74	GASKET	1	
9	GHF200	£0.48	NUT, plain	2	2
10	GHF331	£0.42	WASHER, spring	2	
11	53K402	£1.66	STUD, heater tap	2	from (c) 1039564 approx.
15	ACA8211	£20.50	CABLE, heater valve	1	
16	ADA4304	NCA	BRACKET, cable to fascia	1	2
17	PMZ305	£0.40	SCREW, bracket	2	
18	WL700101	£0.28	WASHER, spring	2	2
19	GHF206	£0.30	NUT	2	
25	GRH1006M	£9.40	HOSE, universal, heater (This hose is supplied per metre and should be cut to appropriate lengths).	a/r	sold per metre
26	GHC11022	£3.30	HOSE CLIP, band type, stainless	5	alternatives
	CS4013	£1.42	HOSE CLIP, wire type	5	
27	ADA4162	NCA	GROMMET	2	1
28	AAA3694	NCA	RING, hose retaining	1	
29	AMK8847	£13.10	CONNECTOR, hose to radiator	1	early type with bottom hose connected direct
30	ARH517	£0.34	WASHER, sealing	1	
31	AAA3907	NCA	CLIP	2	to radiator bottom tank
32	ACA5514	NCA	PIPE, heater return	1	from (c) 670090
33	CRCP303	£4.20	PLATE, 'Caution', heater return	1	

Heater Assembly & Fittings: Recirculating Type

	ADA1813	NCA	HEATER ASSEMBLY	1	
51	BCA4314	NCA	COVER	1	
52	27H975	NCA	MOTOR	1	
53	17H903	NCA	RADIATOR	1	
54	AJD1012	£1.84	SCREW, motor mounting	3	
55	PWZ203	£0.22	WASHER, plain	3	
56	17H1289	NCA	SPACER	3	
57	24K2085	NCA	GROMMET	3	
58	PWZ103	£0.24	WASHER, plain	3	
59	27H976	NCA	NUT	3	
60	AJD8452Z	£0.34	SCREW	2	
	AB606031	£0.40	SCREW	2	from (c) 448801
61	AJD3204Z	£0.56	SCREW, lower fixing	1	
	PMZ312	£0.82	SCREW, lower fixing	1	from (c) 448801
62	PWZ203	£0.22	WASHER	1	
63	WL700101	£0.28	WASHER, spring	1	
64	AJD8012Z	£0.34	NUT	1	
	FNZ103	£0.34	NUT	1	from (c) 448801
65	27H596	NCA	CLIP, heater assembly	3	
66	27H4879	NCA	RHEOSTAT, fan control	1	
67	500513	£6.00	KNOB	1	
	57H5240	NCA	KNOB	1	
68	AAA4428	NCA	ADAPTOR, demister, 2 way	1	to (c) 514651
	ADA2636	NCA	ADAPTOR, demister, 2 way	1	from (c) 514652
69	ADA1682	NCA	HOSE, demister, long	1	to (c) 514651
	ADA2637	NCA	HOSE, demister, long	1	from (c) 514652
70	17H1973	NCA	HOSE, demister, short	1	to (c) 514651
	ADA2638	NCA	HOSE, demister, short	1	from (c) 514652
71	AAA3189	NCA	DUCT, demister, RH	1	
72	AAA3190	NCA	DUCT, demister, LH	1	
73	AB606043	£0.64	SCREW, chrome, vent to fascia	4	
74	GHF711	£0.30	SPIRE NUT	4	

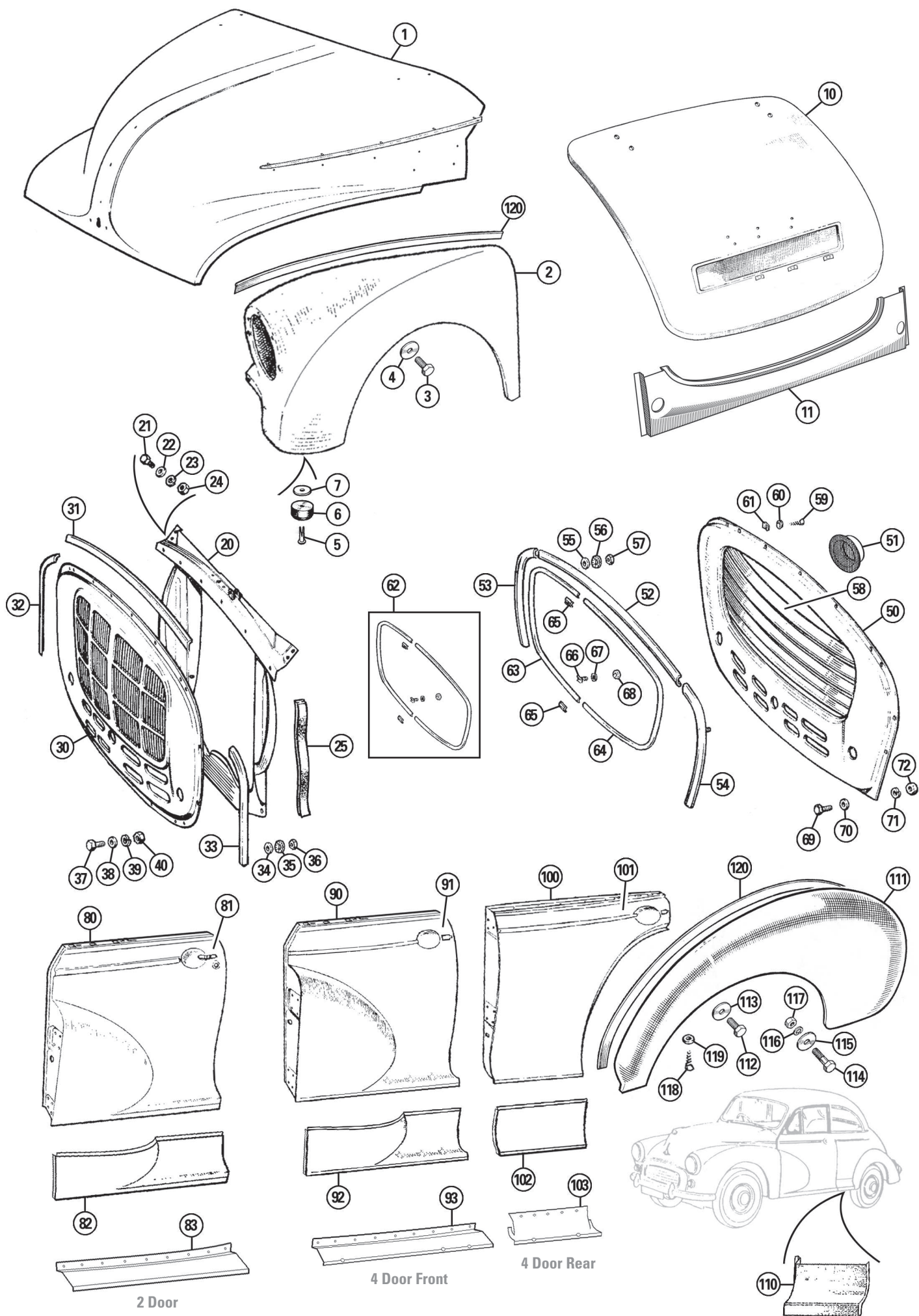
Heater Assembly & Fittings: Fresh Air Type

80	ADA4232	NCA	HEATER ASSEMBLY, 2.8 KW	1	from (c) 1039564
	ALA8516	NCA	HEATER ASSEMBLY, 2.8 KW	1	from (c) 1157131
	24A2732	NCA	HEATER ASSEMBLY, 3.8 KW (Originally optional fitment).	1	from (c) 1060095
81	27H2189	NCA	MOTOR, blower	1	2.8 KW only
82	37H1572	NCA	FAN	1/2	
83	17H6836	NCA	CLIP, fan to motor	1	
84	17H8612	NCA	SEAL, motor to casing	1	
85	17H8608	NCA	MATRIX	1	from (c) 1039564
	37H3928	NCA	MATRIX	1	from (c) 1157131
	17H8607	NCA	MATRIX	1	from (c) 1060095 for optional heater assembly
86	37H3931	NCA	FOAM SEAL, matrix	1	

ill.	Part Number	Price Eea.	Description	Req.	Details
87	27H1253	NCA	FOAM SEAL, matrix pipes	2	
88	24A151	NCA	KNOB, air distribution lever	1	
89	27H8235	NCA	SWITCH	1	for ADA4232 & 24A2732
	37H4067	NCA	SWITCH	1	for 24A1895
90	ADA4220	NCA	DUCT & COWL, RH	1	
	ADA4221	NCA	DUCT & COWL, LH	1	
91	AB606031	£0.40	SCREW, cowl to heater assembly	4	
92	ADA4809	NCA	HOSE, duct to footwell	2	
93	ADA4809	NCA	HOSE, demister vents	2	
94	AAA3189	NCA	DUCT, demister, RH	1	
	AAA3190	NCA	DUCT, demister, LH	1	
95	AB606043	£0.64	SCREW, chrome, vent to fascia	4	
96	GHF711	£0.30	SPIRE NUT	4	
97	24A1975	NCA	HOSE, air intake	1	2.8 KW type
	24A1977	NCA	HOSE, grille to blower	1	3.8 KW type
	ACA8217	NCA	HOSE, blower to heater	1	
98	24A2195	NCA	GROMMET, bulkhead	1	
99	AHH5714	£2.90	CLIP	a/r	
100	GHC11120	£6.00	CLIP, hose to casing	1	
101	ACA8165	NCA	BRACKET, mounting	2	
102	WM57	£0.26	WASHER, plain	2	
103	GHF331	£0.42	WASHER, spring	2	
104	GHF200	£0.48	NUT	2	
105	SH604041	£0.44	SCREW, bracket to bulkhead	2	
106	GHF331	£0.42	WASHER, spring	2	
107	PMZ308	£0.36	SCREW, heater to fascia	2	
108	PWZ203	£0.22	WASHER, plain	2	
109	WL700101	£0.28	WASHER, spring	2	
110	FNZ103	£0.34	NUT	2	
111	17H8617	NCA	SCREW, fascia	3	
112	AB606021	£0.40	SCREW, casing	18	

Heater Blower: 3.8kW Type, from (c) 1060095, optional

120	24A1405	NCA	BLOWER ASSEMBLY	1	
121	37H4216	NCA	MOTOR, blower	1	
122	53K126	£0.64	SCREW	3	
123	GHF306	£0.34	WASHER, plain	3	
124	WF702101	£0.40	WASHER, shake-proof	3	
125	FNZ103	£0.34	NUT	3	
126	17H8108	£11.30	FAN	1	
127	17H6836	NCA	CLIP, fan to motor	1	
128	17H819	£70.00	CASING, blower	1	
129	17H8662	NCA	ADAPTOR, inlet hose	1	
130	53K126	£0.64	SCREW	3	
131	GHF306	£0.34	WASHER, plain	3	
132	WF702101	£0.40	WASHER, shake-proof	3	
133	FNZ103	£0.34	NUT	3	
134	ACA8183	NCA	BRACKET, blower mounting, upper	1	
135	ACA8182	NCA	BRACKET, blower mounting, upper	1	
136	GHF101	£0.34	SCREW	4	
137	27H1232	£2.50	GROMMET	4	
138	27H1258	£0.95	SPACER	4	
139	WM57	£0.26	WASHER, plain	4	
140	GHF331	£0.42	WASHER, spring	4	
141	GHF200	£0.48	NUT	4	
142	SH604041	£0.44	SCREW	2	
143	GHF331	£0.42	WASHER, spring	2	
144	GHF201	£0.18	NUT	2	



ill.	Part Number	Price Eea.	Description	Req.	Details
External Panels					
Bonnet & Front Wings					
1	ALA1817	NCA	BONNET ASSEMBLY	1	to (c) 448800
	ALA1818	NCA	BONNET ASSEMBLY	1	from (c) 448801
2	APA769	NCA	WING, front, RH	1	to (c) 291139
	APA770	NCA	WING, front, LH	1	no indicator lamps
	ALA2722	£406.40	WING, front, RH	1	from (c) 291140
	ALA2723	£406.40	WING, front, LH	1	948cc small indicator lamps
	ALA3064	£464.40	WING, front, RH	1	from (c) 1039597
	ALA3064Z	£257.20	WING, front, RH, aftermarket	1	1098cc large
	ALA3063	£464.40	WING, front, LH	1	indicator lamps
	ALA3063Z	£257.20	WING, front, LH, aftermarket	1	
3	AJD6257Z	£1.37	BOLT, wing fixing	14	
4	AJD7152	NCA	WASHER	14	
5	RB608101	NCA	RIVET	2	
6	AAA4598	NCA	BUFFER, wing to valance	2	
	AAA4598K	£6.60	BUFFER SET, wing to valance	1	set of 10
7	AJD7112	NCA	WASHER	2	

Boot Lid & Valance Repair Panels

10	ALA2663	NCA	BOOT LID ASSEMBLY	1	
	ALA1878	NCA	BOOT LID ASSEMBLY	1	from (c) 463443
	ALA2799	NCA	BOOT LID ASSEMBLY	1	from (c) 695736
	ADA4310	£608.40	BOOT LID ASSEMBLY	1	from (c) 1082284
11	ADA4318/1	£48.30	REPAIR SECTION, rear valance, lower	1	Saloon & Tourer

Radiator Cowl & Grilles**Radiator Cowl**

20	ADA1616	NCA	COWL, radiator	1	approx. to (c) 1039563
	ARA189	NCA	COWL, radiator	1	approx. (c) 1039564 on
21	AJD6155Z	£0.95	SCREW, 1/4" BSF, cowl to flitch	2	
	SH604051	£0.34	SCREW, 1/4" UNF, cowl to flitch	2	alternative
22	GHF300	£0.24	WASHER, plain	8	
	WM57	£0.26	WASHER, plain, large 3/4" OD	a/r	alternative
23	GHF331	£0.42	WASHER, spring	2	
24	AJD8104	£0.56	NUT, 1/4" BSF	2	
	GHF200	£0.48	NUT, 1/4" UNF	2	alternative
25	ADA4153	NCA	SEAL, front panel to cowl	2	

Grille: Early Series II 'Cheesegrater'

30	AAA3648	NCA	FRONT PANEL	1	
31	AAA1908	£66.80	SURROUND, front panel, top	1	
32	AAA1910	£37.00	SURROUND, front panel, RH	1	
33	AAA1909	£37.00	SURROUND, front panel, LH	1	
34	GHF306	£0.34	WASHER, plain, top surround	6	
	PWZ203	£0.22	WASHER, plain, side surrounds	6	
35	WF702101	£0.40	WASHER, shake-proof	12	
36	AJD8012Z	£0.34	NUT, surround fixing, 2BA	12	
37	AJD6155Z	£0.95	SCREW, front panel to cowl, lower	4	1/4" BSF
	SH604051	£0.34	SCREW, front panel to cowl, lower	4	1/4" UNF, alternative
38	GHF300	£0.24	WASHER, plain	4	
39	GHF331	£0.42	WASHER, spring	4	
40	AJD8104	£0.56	NUT, 1/4" BSF	4	
	GHF200	£0.48	NUT, 1/4" UNF	4	alternative

Grille: Late Series II & Minor 1000 'Slatted'

50	ADA1602	NCA	FRONT PANEL	1	
	ADA1602Z	£98.80	FRONT PANEL, grille not included	1	aftermarket
51	ARA1937	NCA	INTAKE TUBE	1	
52	AAA1908	£66.80	SURROUND, front panel, top	1	
53	ADA1578	£23.30	SURROUND, front panel, RH	1	
54	ADA1579	£23.30	SURROUND, front panel, LH	1	
55	PWZ103	£0.24	WASHER, plain	12	
56	WF702101	£0.40	WASHER shake-proof	12	
57	AJD8012Z	£0.34	NUT, surround fixing	12	
58	ARA23	£72.20	GRILLE ASSEMBLY	1	
59	GHF425	£0.24	SCREW, grill to front panel	4	
60	PWZ103	£0.24	WASHER, plain	4	
61	PFS410	£0.68	SPIRE NUT	4	
62	88G452	£51.80	SURROUND KIT, grille aperture	1	
63	ADA1582	NCA	SURROUND, chrome, RH	1	
64	ADA1583	NCA	SURROUND, chrome, LH	1	
65	ADA3576	NCA	COVER, surround joint	2	
66	ADA4636	NCA	CLIP, grille surround fixing	16	
67	WF702101	£0.40	WASHER, shake-proof	16	
68	FNZ103	£0.34	NUT	16	
69	AJD6155Z	£0.95	SCREW, front panel to cowl, lower	4	1/4" BSF
	SH604051	£0.34	SCREW, front panel to cowl, lower	4	1/4" UNF, alternative
70	GHF300	£0.24	WASHER, plain	4	
71	GHF331	£0.42	WASHER, spring	4	
72	AJD8104	£0.56	NUT, 1/4" BSF	4	
	GHF200	£0.48	NUT, 1/4" UNF	4	alternative

ill.	Part Number	Price Eea.	Description	Req.	Details
Doors & Repair Panels					
80	AAA3185	NCA	DOOR ASSEMBLY, RH	1	front door
	AAA3186	NCA	DOOR ASSEMBLY, LH	1	2 door models
81	AAA3185/1	NCA	DOOR SKIN, RH	1	
	AAA3186/1	NCA	DOOR SKIN, LH	1	
82	AAA3185/2	£26.90	REPAIR PANEL, door skin, lower, RH	1	
	AAA3186/2	£26.90	REPAIR PANEL, door skin, lower, LH	1	
83	AAA3185/3	£24.90	REPAIR PANEL, door frame, lower, RH	1	
	AAA3186/3	£24.90	REPAIR PANEL, door frame, lower, LH	1	
90	AAA1540	NCA	DOOR ASSEMBLY, front, RH	1	front door
	AAA1541	NCA	DOOR ASSEMBLY, front, LH	1	4 door models
91	AAA1540/1	NCA	DOOR SKIN, front, RH	1	
	AAA1541/1	NCA	DOOR SKIN, front, LH	1	
92	AAA1540/2	£29.10	REPAIR PANEL, door skin, lower, RH	1	
	AAA1541/2	£29.10	REPAIR PANEL, door skin, lower, LH	1	
93	AAA1540/3	£24.90	REPAIR PANEL, door frame, lower, RH	1	
	AAA1541/3	£24.90	REPAIR PANEL, door frame, lower, LH	1	
100	AAA1542	NCA	DOOR ASSEMBLY, rear, RH	1	rear door
	AAA1543	NCA	DOOR ASSEMBLY, rear, LH	1	4 door models
101	AAA1542/1	NCA	DOOR SKIN, rear, RH	1	
	AAA1543/1	NCA	DOOR SKIN, rear, LH	1	
102	AAA1542/2	£34.30	REPAIR PANEL, door skin, lower, RH	1	
	AAA1543/2	£34.30	REPAIR PANEL, door skin, lower, LH	1	
103	AAA1542/3	£30.80	REPAIR PANEL, door frame, lower, RH	1	
	AAA1543/3	£30.80	REPAIR PANEL, door frame, lower, LH	1	

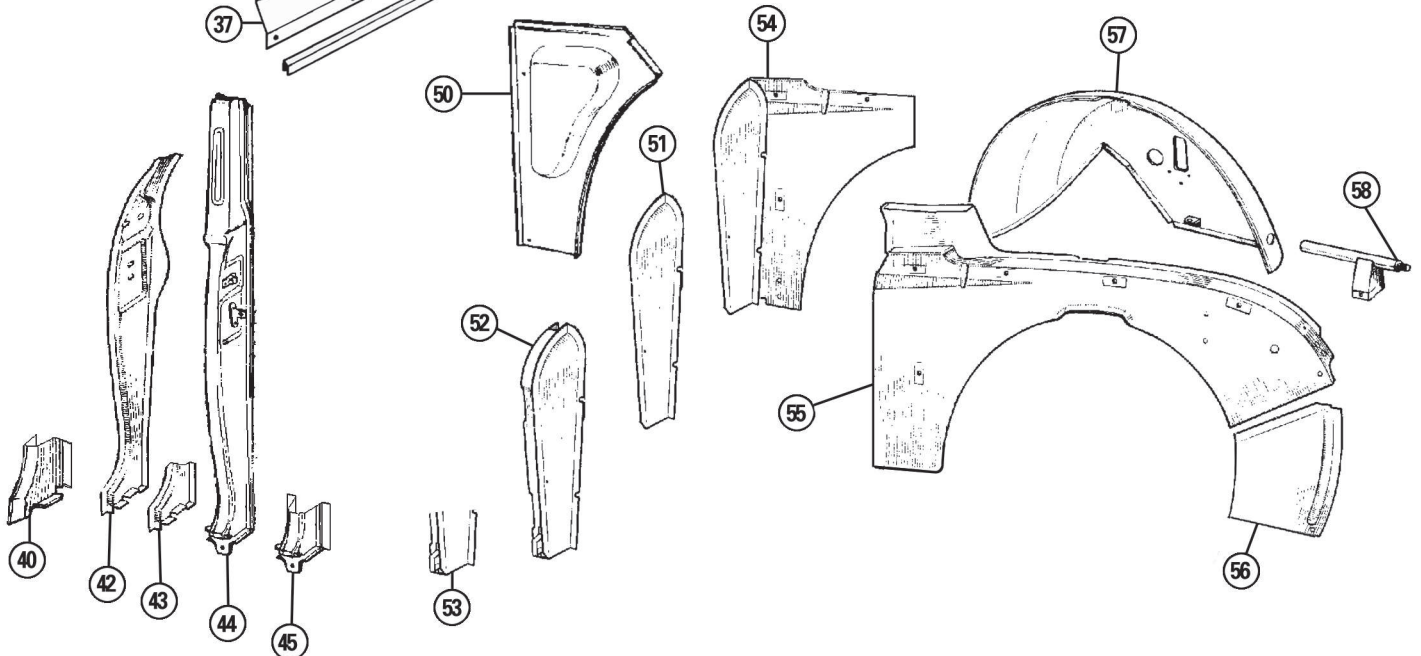
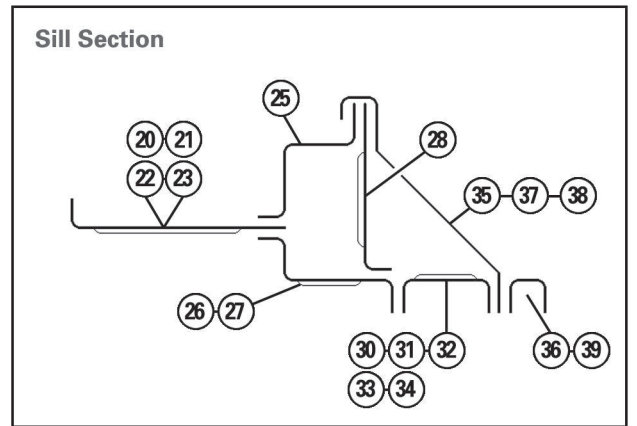
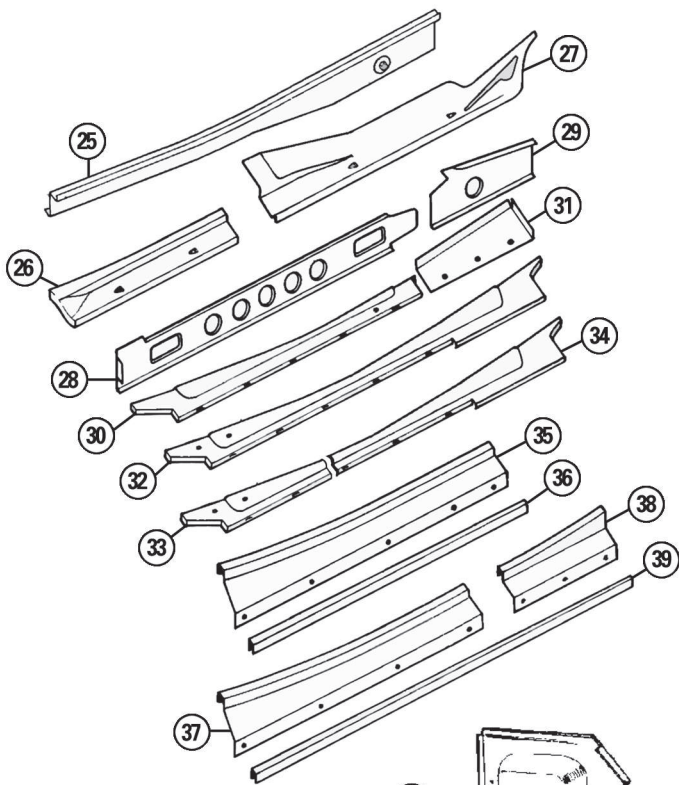
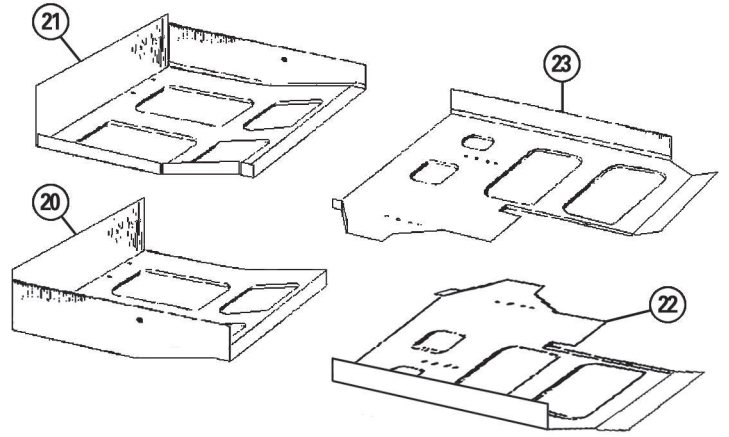
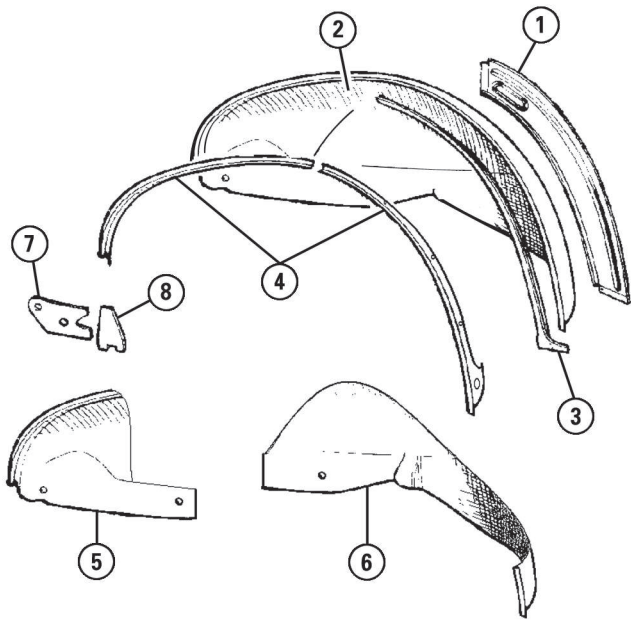
Rear Wings

110	ALA2869/1	£18.70	REPAIR SECTION (Rear quarter panel, lower).	1	RH, 2 door & Tourer
	ALA2870/1	£18.70	REPAIR SECTION (Rear quarter panel, lower).	1	LH, 2 door & Tourer
111	AAA3292	£330.00	WING, rear, RH	1	Saloon & Tourer
	AAA3293	£330.00	WING, rear, LH	1	to (c) 294050
	APA814	NCA	WING, rear, RH	1	Saloon & Tourer
	APA815	NCA	WING, rear, LH	1	from (c) 294051
	ALA718	NCA	WING, rear, RH	1	Saloon & Tourer
	ALA719	NCA	WING, rear, LH	1	from (c) 448801
	ALA3067	£257.00	WING, rear, LH	1	Saloon & Tourer
	ALA3067Z	£202.00	WING, rear, LH, aftermarket	1	from (c) 1039597
	ALA3068	£257.00	WING, rear, RH	1	
	ALA3068Z	£202.00	WING, rear, RH, aftermarket	1	
	ADA687	£244.80	WING, rear, RH	1	Traveller
	ADA688	£244.80	WING, rear, LH	1	
112	AJD6258Z	£1.46	BOLT, rear wing to body	12	Saloon & Tourer
113	PWZ205	£0.34	WASHER plain	12	
114	320-380	£1.48	BOLT, rear wing to body	4	Traveller
115	PWZ205	£0.34	WASHER, plain	4	
116	GHF332	£0.43	WASHER, spring	4	
117	AJD8105Z	£0.34	NUT	4	
118	AB606053	£0.71	SCREW, self tapping	40	
119	PWZ203	£0.22	WASHER, plain	40	

Wing Piping

Note: Wing piping ceased to be used on front wings from: Saloon & Tourer (c) 307869 & Traveller (c) 305719. Piping is sold per metre.

120	17H8368M	NCA	WING PIPING, Almond Green	a/r	
	17H8369M	NCA	WING PIPING, Black	a/r	
	47H9596M	NCA	WING PIPING, Clarendon Grey	a/r	
	47H9592M	NCA	WING PIPING, Clipper Blue	a/r	
	47H9595M	NCA	WING PIPING, Cream	a/r	
	47H9586M	NCA	WING PIPING, Dove Grey	a/r	
	AAA3971M	NCA	WING PIPING, Empire Green	a/r	
	47H9593M	NCA	WING PIPING, Friiford Grey	a/r	
	47H9584M	NCA	WING PIPING, Highway Yellow	a/r	
	ADE9615M	NCA	WING PIPING, Lilac	a/r	
	37H2727M	NCA	WING PIPING, Maroon 'B'	a/r	
	17H8370M	NCA	WING PIPING, Old English White	a/r	
	47H9591M	NCA	WING PIPING, Pearl Grey	a/r	
	37H2726M	NCA	WING PIPING, Peat	a/r	
	47H9589M	NCA	WING PIPING, Porcelain Green	a/r	
	17H8372M	NCA	WING PIPING, Rose Taupe	a/r	
	47H9599M	NCA	WING PIPING, Sage Green	a/r	
	17H8371M	NCA	WING PIPING, Smoke Grey	a/r	
	37H2728M	NCA	WING PIPING, Snowberry White	a/r	
	17H9180M	NCA	WING PIPING, Trafalgar Blue	a/r	
	47H9597M	NCA	WING PIPING, Turquoise	a/r	
	47H9588M	NCA	WING PIPING, Yukon Green	a/r	
	47H9598M	NCA	WING PIPING, Dark Grey	a/r	
	47H9594M	NCA	WING PIPING, Birch Grey	a/r	
	ADA1704M	NCA	WING PIPING, Sandy Beige	a/r	



ill.	Part Number	Price Eea.	Description	Req.	Details	
Inner Body Panels						
Rear Inner Wheel Arches						
1	AAA1552	NCA	INNER WING, RH	1	} 4 door	
	AAA1553	NCA	INNER WING, LH	1		
2	AAA1429	£140.40	WHEEL ARCH, inner, rear, RH	1	} Saloon & Tourer	
	AAA1430	£140.40	WHEEL ARCH, inner rear, LH	1		
	APA642	NCA	WHEEL ARCH, inner, rear, RH	1		} Traveller
	APA643	NCA	WHEEL ARCH, inner, rear, LH	1		

Note: Traveller inner rear wings are not available. Use Saloon type above and modify the top edge to suit the Traveller frame.

3	AAA3216	NCA	FILLET, rear wheel arch, RH	1	} Saloon & Tourer
	AAA3217	NCA	FILLET, rear wheel arch, LH	1	
4	AAA1429/1	£62.20	REPAIR PANEL (Rear wheel arch flange, RH).	1	} 2 piece
	AAA1430/1	£62.20	REPAIR PANEL (Rear wheel arch flange, LH).	1	
	APA642/1	£42.90	REPAIR PANEL (Rear wheel arch flange, RH).	1	} 2 piece
	APA643/1	£42.90	REPAIR PANEL (Rear wheel arch flange, LH).	1	
5	AAA1429/2	£37.60	REPAIR PANEL (Rear wheel arch flange, RH).	1	}
	AAA1430/2	£37.60	REPAIR PANEL (Rear wheel arch flange, LH).	1	
6	AAA1429/3	£35.60	REPAIR PANEL (Rear wheel arch flange, RH).	1	}
	AAA1430/3	£35.60	REPAIR PANEL (Rear wheel arch flange, LH).	1	
7	AAA1491	£10.40	PLATE, lifting eye	2	}
8	AAA6105	NCA	PLATE, jacking, rear	2	

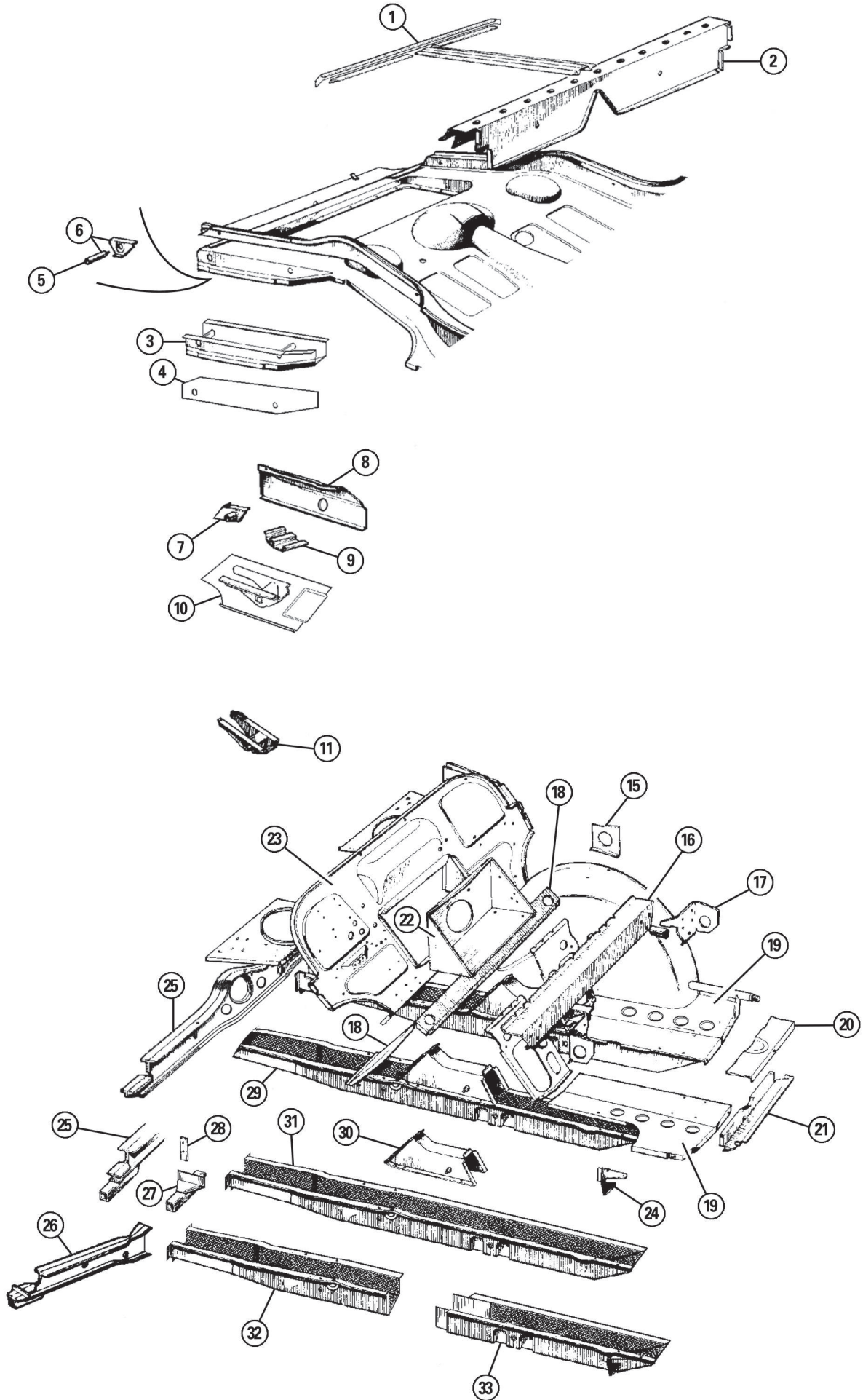
Floors & Sills

	MBP8010	£118.10	FLOOR PANEL, full, RH	1	}
	MBP8011	£118.10	FLOOR PANEL, full, LH	1	
20	MBP8012	£31.20	FLOOR PANEL, rear section, RH	1	}
21	MBP8013	£31.20	FLOOR PANEL, rear section, LH	1	
22	MBP8014	£31.20	FLOOR PANEL, front section, RH	1	}
23	MBP8015	£31.20	FLOOR PANEL, front section, LH	1	
25	MBP8021	£45.10	INNER SILL, step section, RH	1	}
	MBP8022	£45.10	INNER SILL, step section, LH	1	
26	MBP8016	£11.40	REPAIR PANEL, under floor, inner	1	} front, RH
	MBP8017	£11.40	REPAIR PANEL, under floor, inner	1	
27	MBP8018	£15.90	REPAIR PANEL, under floor, inner	1	} rear, RH
	MBP8019	£15.90	REPAIR PANEL, under floor, inner	1	
28	AAA1397	£23.70	BOXING PLATE, sill, RH	1	} 2 door
	AAA1398	£23.70	BOXING PLATE, sill, LH	1	
	AAA1554	£35.80	BOXING PLATE, sill, RH	1	} 4 door
	AAA1555	£35.80	BOXING PLATE, sill, LH	1	
29	MBP8034	£17.10	EXTENSION, boxing plate, RH	1	}
	MBP8035	£17.10	EXTENSION, boxing plate, LH	1	
30	APA600	£23.00	UNDER SILL, outer, full, RH	1	} Traveller
	APA601	£23.00	UNDER SILL, outer, full, LH	1	
31	MBP8023	£11.00	CLOSING PANEL, floor extension, RH	1	}
	MBP8024	£11.00	CLOSING PANEL, floor extension, LH	1	
32	AAA3290	£24.60	UNDER SILL, outer, full, RH	1	} 2 door & Tourer
	AAA3291	£24.60	UNDER SILL, outer, full, LH	1	
	AAA3254	£23.70	UNDER SILL, outer, full, RH	1	} 4 door
	AAA3255	£23.70	UNDER SILL, outer, full, LH	1	
33	AAA3290/1	£16.30	REPAIR PANEL, under sill, outer	1	} front, RH
	AAA3291/1	£16.30	REPAIR PANEL, under sill, outer	1	
34	AAA3254/1	NCA	REPAIR PANEL, under sill, outer	1	} rear, RH
	AAA3255/1	NCA	REPAIR PANEL, under sill, outer	1	
35	AAA4786	£14.70	KICKPLATE, door sill, RH	1	} 2 door
	AAA4786SS	£46.60	KICKPLATE, door sill, RH, s/steel	1	
	AAA4787	£14.70	KICKPLATE, door sill, LH	1	} Tourer & Traveller
	AAA4787SS	£46.60	KICKPLATE, door sill, LH, s/steel	1	
36	AAA1377SS	£30.20	FINISHING RAIL, sill, RH, s/steel	1	}
	AAA1378SS	£30.20	FINISHING RAIL, sill, LH, s/steel	1	
37	AAA4788	£16.20	KICKPLATE, door sill, front, RH	1	} 4 door
	AAA4788SS	£86.10	KICKPLATE, door sill, front, RH, s/steel	1	
	AAA4789	£16.20	KICKPLATE, door sill, front, LH	1	}
	AAA4789SS	NCA	KICKPLATE, door sill, front, LH, s/steel	1	
38	AAA4790	£14.70	KICKPLATE, door sill, rear, RH	1	}
	AAA4790SS	£69.20	KICKPLATE, door sill, rear, RH, s/steel	1	
	AAA4791	£14.70	KICKPLATE, door sill, rear, LH	1	}
	AAA4791SS	£69.20	KICKPLATE, door sill, rear, LH, s/steel	1	
39	AAA1525SS	£35.00	FINISHING RAIL, sill, RH, s/steel	1	}
	AAA1526SS	£35.00	FINISHING RAIL, sill, LH, s/steel	1	

ill.	Part Number	Price Eea.	Description	Req.	Details
B Posts & Repairs					
40	ALA2843/1	£29.70	REPAIR PANEL, B post, RH	1	} Traveller
	ALA2844/1	£29.70	REPAIR PANEL, B post, LH	1	
42	AAA3458	NCA	B POST, RH	1	} 2 door & Tourer
	AAA3459	NCA	B POST, LH	1	
43	AAA3458/1	£23.10	REPAIR PANEL, B post, lower, RH	1	}
	AAA3459/1	£23.10	REPAIR PANEL, B post, lower, LH	1	
44	ALA2864	NCA	B POST, RH	1	} 4 door to
	ALA2865	NCA	B POST, LH	1	
	ALA3238	NCA	B POST, RH	1	} (c) 255046
	ALA3239	NCA	B POST, LH	1	
45	ALA3238/1	£42.60	REPAIR PANEL, B post, RH & LH	2	}
	MBP8030	£30.90	REPAIR PANEL, C post, RH	1	
	MBP8031	£30.90	REPAIR PANEL, C post, LH	1	} 4 door

Inner Front Wings & Flitches

50	AAA2001	NCA	SIDE PANEL, inner, RH	1	} to (c) 695735
	AAA2002	NCA	SIDE PANEL, inner, LH	1	
	ALA2770	NCA	SIDE PANEL, inner, RH	1	} from (c) 695736
	ALA2771	NCA	SIDE PANEL, inner, LH	1	
	ALA2997	£69.00	SIDE PANEL, inner, RH	1	} from (c) 1089564
	ALA2998	£69.00	SIDE PANEL, inner, LH	1	
51	MBP8032	£25.20	CLOAKING PANEL, LH	1	}
	MBP8033	£25.20	CLOAKING PANEL, RH	1	
52	AAA1395	£61.20	A POST, hinge pillar, RH	1	}
	AAA1396	£61.20	A POST, hinge pillar, LH	1	
53	AAA1395/1	£41.00	REPAIR PANEL, A post, lower, LH	1	}
	AAA1396/1	£41.00	REPAIR PANEL, A post, lower, RH	1	
54	AAA3252/1	£31.20	REPAIR PANEL, flitch & A post, RH	1	}
	AAA3253/1	£31.20	REPAIR PANEL, flitch & A post, LH	1	
55	AAA3252	£59.40	FLITCH, RH	1	}
	AAA3253	£59.40	FLITCH, LH	1	
56	AAA3549	NCA	EXTENSION, flitch, RH	1	} to (c) 291139
	AAA3550	NCA	EXTENSION, flitch, LH	1	
	APA763	£13.80	EXTENSION, flitch, RH	1	} from (c) 291140
	APA764	£13.80	EXTENSION, flitch, LH	1	
57	AAA3267	£144.90	WHEEL ARCH, front, RH	1	}
	AAA3268	£144.90	WHEEL ARCH, front, LH	1	
58	AAA1438	£29.40	TUBE & BRACKET, front bumper, RH	1	}
	AAA1439	£29.40	TUBE & BRACKET, front bumper, LH	1	



iii. Part Number Price £ea. Description Req. Details

Underframe & Chassis

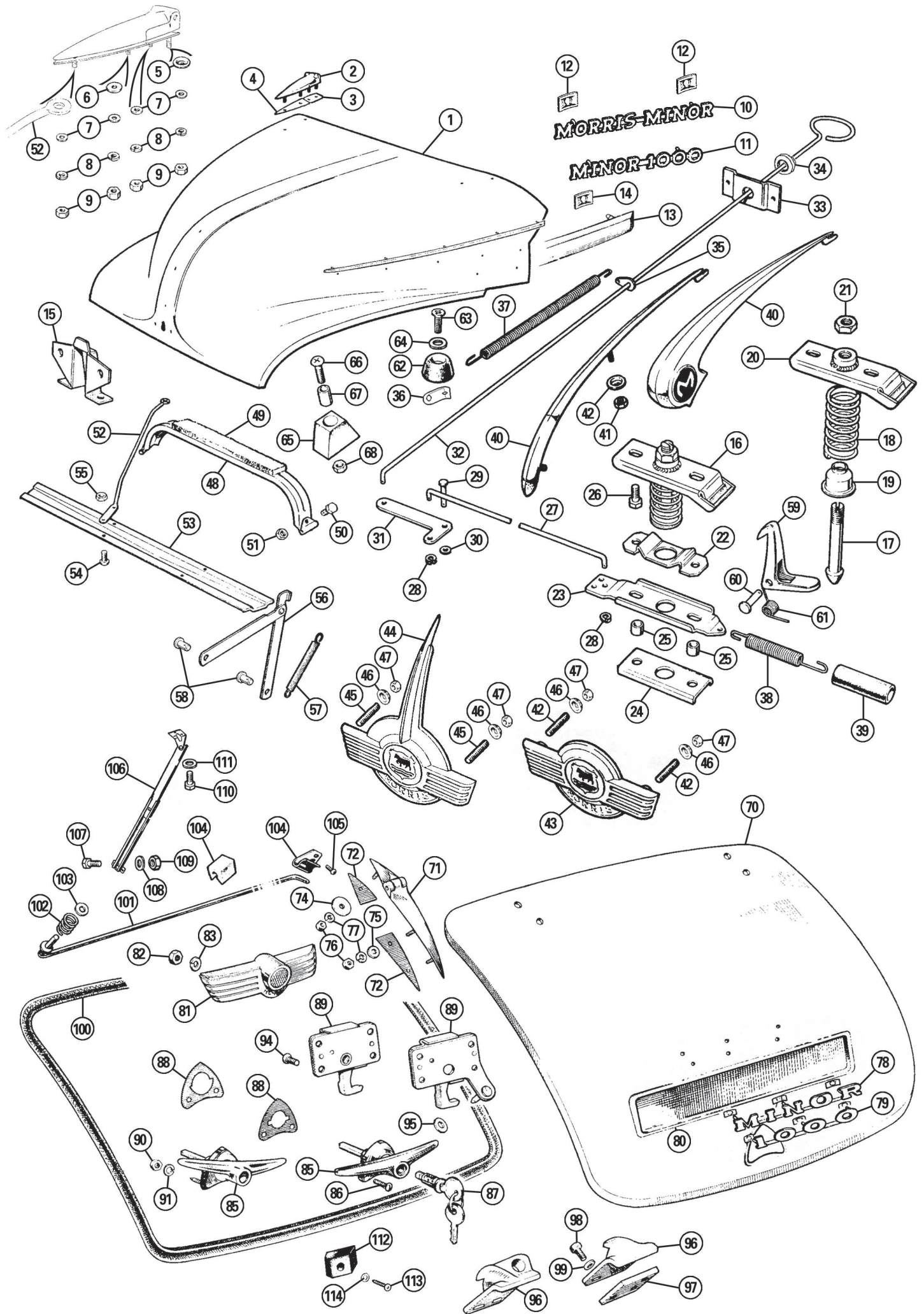
Rear Underframe & Chassis

1	AAA1832	NCA	CROSSMEMBER, boot floor support	1	Saloon & Tourer
2	AAA1600	NCA	CROSSMEMBER, rear seat	1	2 door, Tourer & Traveller
	34G2493	NCA	CROSSMEMBER, rear seat	1	
3	MBP8025	£43.80	SPRING HANGER KIT, rear, RH	1	
	MBP8026	£43.80	SPRING HANGER KIT, rear, LH	1	
4	MBP8027	£5.30	SIDE PLATE, spring hanger, LH/RH	2	
5	AAA1383	NCA	PIN, damper mounting	2	
6	AAA1384	NCA	PIN AND BRACKET, damper mounting	1	RH
	AAA1385	NCA	PIN AND BRACKET, damper mounting	1	LH
7	AAA1310	NCA	TUBE, inner shackle	2	
8	MBP8034	£17.10	EXTENSION, boxing plate, RH	1	
	MBP8035	£17.10	EXTENSION, boxing plate, LH	1	
9	APA522	£11.90	REBOUND PLATE, bumpstop	2	
10	AAA1446/1	£35.80	SPRING HANGER, front, RH, large	1	repair
	AAA1447/1	£35.80	SPRING HANGER, front, LH, large	1	repair
11	AAA1446	£27.30	SPRING HANGER, RH	1	
	AAA1447	£27.30	SPRING HANGER, LH	1	

Front Underframe & Chassis

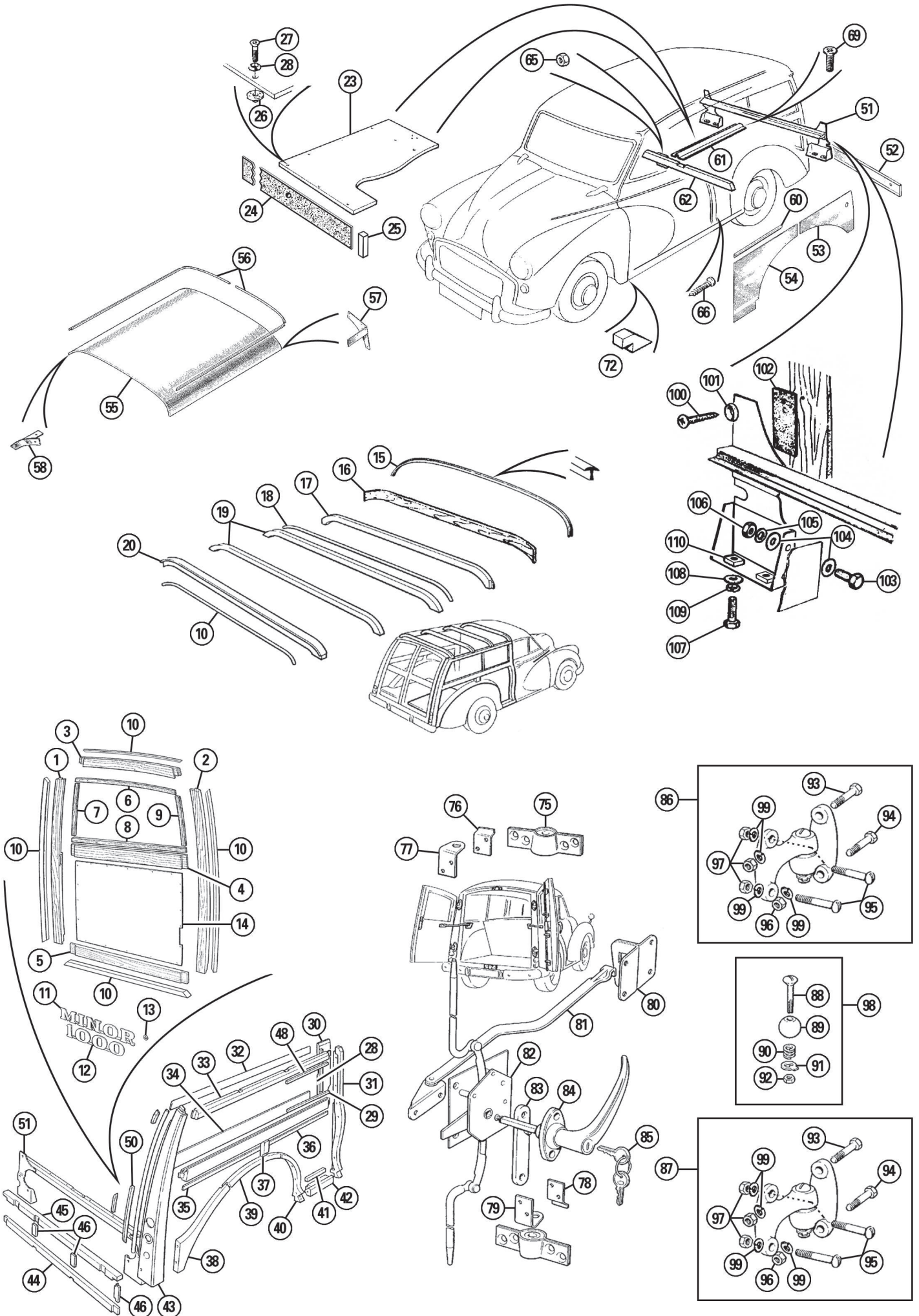
15	AAA1431	£12.50	BOXING PLATE, wheel arch to flitch	1	RH
	AAA1432	£12.50	BOXING PLATE, wheel arch to flitch	1	LH
16	ALA4797	NCA	CROSSMEMBER, toeboard	1	from (c) 448801
17	AAA4794	NCA	STIFFENER BRACKET, shock absorber	1	RH
	AAA4795	NCA	STIFFENER BRACKET, shock absorber	1	LH
18	ALA3187	NCA	TOEBOARD PANEL	1	
19	AAA4803	£24.30	TIE PLATE, RH	1	
	AAA4804	£24.30	TIE PLATE, LH	1	
20	AAA3320	£10.10	TOP PLATE, front crossmember	1	
21	AAA1856	£11.00	CROSSMEMBER, front	1	
22	ACA8040	£59.70	BATTERY BOX	1	
23	ALA1869	NCA	BULKHEAD ASSEMBLY	1	
24	AAA1530	£13.60	BRACKET, tie bar, RH	1	
	AAA1531	£13.60	BRACKET, tie bar, LH	1	
25	180783	NCA	CROSSMEMBER, centre	1	
	ALA2651	£61.50	CROSSMEMBER, centre	1	from (c) 448801
26	ALA2651/1	£17.80	REPAIR SECTION, crossmember end	2	from (c) 448801
27	ALA1452	£15.60	JACKING POINT	2	
28	129145	NCA	JACKING PLATE, front	2	
29	AAA4801	NCA	CHASSIS LEG, complete, RH	1	
	AAA4802	NCA	CHASSIS LEG, complete, LH	1	
30	AAA4801/2	NCA	CHASSIS LEG, upper, RH	1	
	AAA4802/2	NCA	CHASSIS LEG, upper, LH	1	
31	AAA4801/1	£110.80	CHASSIS LEG, lower, RH	1	
	AAA4802/1	£110.80	CHASSIS LEG, lower, LH	1	
32	AAA4801/3	NCA	CHASSIS LEG, lower, rear repair, RH	1	
	AAA4802/3	NCA	CHASSIS LEG, lower, rear repair, LH	1	
33	AAA4801/4	£47.90	CHASSIS LEG, lower, front repair, RH	1	
	AAA4802/4	£47.90	CHASSIS LEG, lower, front repair, LH	1	

iii. Part Number Price £ea. Description Req. Details



ill.	Part Number	Price Eea.	Description	Req.	Details
Bonnet, Boot Lid & Fittings					
Bonnet & Fittings					
1	ALA1817	NCA	BONNET	1	from (c) 448801
2	ADA897	NCA	HINGE, bonnet, RH	1	
	ADA898	NCA	HINGE, bonnet, LH	1	
	ADA897/8	£53.10	HINGE SET, bonnet, pair	1	
3	ADA1765	NCA	GASKET, hinge to body, rubber	2	
4	AAA3521	NCA	GASKET, hinge to bonnet, rubber	2	
5	AAA3587	NCA	WASHER, domed	2	
6	WM57	£0.26	WASHER, plain	2	
7	GHF300	£0.24	WASHER, plain	8	
8	GHF331	£0.42	WASHER, spring	8	
9	AJD8104	£0.56	NUT, 1/4" BSF	8	
10	AAA3328	£14.70	NAMEPLATE, bonnet "Morris Minor"	2	
11	ADA2613	£9.30	NAMEPLATE, bonnet "Minor 1000"	2	from (c) 448801
12	PFS103	£0.50	SPIRE CLIP	4	
13	180675	NCA	BEADING, bonnet side, RH	1	
13	180676	NCA	BEADING, bonnet side, LH	1	
14	PFS106	£0.32	SPIRE CLIP	8	
15	AAA1873	NCA	BRACKET, bonnet latch	1	
16	ADC1689	NCA	PIN ASSEMBLY, bonnet latch	1	
17	AAA1865	NCA	STRIKER PIN, bonnet latch, 3/8" BSF	1	
	14A6586	£7.30	STRIKER PIN, bonnet latch, 3/8" UNF	1	from (c) 310559
18	FPQ10001	£2.50	SPRING, bonnet latch	1	
19	ADA458	£10.80	CUP, bonnet pin	1	
20	AAA1864	NCA	PLATE, striker pin, 3/8" BSF	1	
	ADH455	NCA	PLATE, striker pin, 3/8" UNF	1	from (c) 310559
21	AJD8206Z	£0.80	NUT, locking, 3/8" BSF	1	
	NT606041	£0.64	NUT, locking, 3/8" UNF	1	from (c) 310559
22	AAM1223	£5.70	PLATE, slider guide	1	
23	ADA461	£33.00	SLIDER, bonnet catch	1	
24	ADH456	£20.30	SUPPORT, bonnet slider	1	
25	ADA464	£1.80	SPACER, bonnet catch slider	2	
26	AJD6155Z	£0.95	BOLT, 1/4" BSF	2	
27	AAA1876	£26.00	ROD, lever to bonnet slider	1	
28	AAA1514	NCA	WASHER, spring	3	
29	ADA465	NCA	CLEVIS PIN, bonnet release lever	1	
30	PWZ103	£0.24	WASHER	1	
31	ADA3669	£7.00	LEVER, bonnet latch	1	
32	AAA1877	NCA	ROD, bonnet release	1	
33	AAA1882	£9.80	RETAINER PLATE, top grommet	1	
34	AAA1881	£1.76	GROMMET, bonnet release rod	1	
35	ACA5314	NCA	PLATE, spring to rod	1	from (c) 385639
	ADA2463	NCA	PLATE, spring to rod	1	to (c) 385638
36	ACA5314	NCA	PLATE, spring to body	1	
37	329-265	£2.40	SPRING, anti rattle	1	
38	ADA466	£6.30	SPRING, bonnet latch return	1	
39	ADA467	£1.60	SLEEVE, rubber	1	
40	ADA4122	NCA	FLASH, strip, bonnet	1	early type
	ADA4118	£45.90	FLASH, M motif, bonnet	1	
41	AJD8012Z	£0.34	LOCKNUT, 2BA	a/r	
42	WL700101	£0.28	WASHER, locking	1	
43	24G2708	£48.90	BADGE, bonnet	1	1st type
44	ADA4116	NCA	BADGE, bonnet	1	from (c) 448801
45	ADA4117	NCA	STUD, bonnet motif	a/r	
46	AAA1874	NCA	WASHER, bonnet motif	a/r	
47	AJD8012Z	£0.34	LOCKNUT	a/r	
48	AAA3721	NCA	STRIP, anti drum	1	
49	AAA3721F	NCA	FELT PAD, anti-drum strip	1	
50	AJD6106Z	£2.15	BOLT, anti-drum strip to crossmember	2	
51	AJD8104	£0.56	NUT	2	
52	AAA3944	NCA	ROD, bonnet stiffener, RH	1	to (c) 448714
	ADA1879	NCA	ROD, bonnet stiffener, RH	1	from (c) 448801
	AAA3945	NCA	ROD, bonnet stiffener, LH	1	to (c) 448714
	ADA1880	NCA	ROD, bonnet stiffener, LH	1	from (c) 448801
53	AAA4851	NCA	CROSSMEMBER, bonnet	1	
54	AJD1244Z	£0.59	SCREW	4	
55	AJD8012Z	£0.34	NUT	4	
56	ADA1492	NCA	PROP ASSEMBLY, bonnet	1	
57	ADA2466	NCA	SPRING, bonnet prop	1	
58	ADA2465	NCA	CLEVIS PIN	2	
59	ADA896	£38.60	SAFETY CATCH, bonnet	1	
60	CLZ314	£1.60	CLEVIS PIN	1	
61	ADA2490	NCA	SPRING, safety catch	1	
62	AAA2481	£1.94	BUFFER, bulkhead	2	
63	AB608033	£0.56	SCREW, buffer	2	
64	PWZ103	£0.24	WASHER	2	
65	ADA804	£1.79	BUFFER, front	2	
66	AJD1246Z	£0.50	BOLT	2	
67	ADB4617	NCA	SPACER, bonnet buffer	2	
68	AJD8012Z	£0.34	NUT	2	

ill.	Part Number	Price Eea.	Description	Req.	Details
Bootlid & Fittings					
70	ALA2663	NCA	BOOTLID	1	
	ALA1878	NCA	BOOTLID	1	from (c) 463443
	ALA2799	NCA	BOOTLID	1	from (c) 695736
	ADA4310	£608.40	BOOTLID	1	from (c) 1082284
71	ADA4532	NCA	HINGE, boot lid, RH	1	
	ADA4533	NCA	HINGE, boot lid, LH	1	
72	AAA3268K	£2.21	GASKET KIT, boot lid hinge	2	
			(Includes: 1 hinge to body & 1 hinge to boot lid gasket).		
74	PWZ206	£0.71	WASHER, hinge to body	2	
75	GHF300	£0.24	WASHER, hinge to bootlid	4	
76	AJD8105Z	£0.34	NUT, hinge to body, 5/16" BSF	2	
	AJD8104	£0.56	NUT, hinge to bootlid, 1/4" BSF	4	
77	GHF322	£0.24	WASHER, spring, 5/16"	2	
	GHF331	£0.42	WASHER, spring, 1/4"	4	
78	ADA2871	£10.20	BADGE, bootlid "MINOR"	1	from (c) 448801
79	ADA2612	£10.20	BADGE, bootlid "1000"	1	
80	PFS104	£0.25	SPIRE CLIP	6	
81	AAA1940	£43.90	BADGE PLINTH, bootlid flash	1	to (c) 448714
			(Without reflector).		
82	AJD8104	£0.56	NUT, 1/4" BSF	2	
83	GHF331	£0.42	WASHER, spring	2	
85	ADA1625	£43.80	HANDLE, bootlid	1	1st type
	ADA2606	£53.00	HANDLE, bootlid	1	from (c) 463443
86	AJD2246C	£1.46	SCREW	2	to (c) 463442
87	17H2475	£2.90	KEY BLANK, FS series	a/r	
88	ADA1735	NCA	GASKET, handle to bootlid	1	1st type
	ADA2782	NCA	GASKET, handle to bootlid	1	2nd type,
					from (c) 463443
89	ADH4492	£43.60	LOCK ASSEMBLY, bootlid	1	
	14B1718	£50.40	LOCK ASSEMBLY, bootlid	1	1st type
	ADA2577	NCA	LOCK ASSEMBLY, bootlid	1	2nd type,
					from (c) 463443
90	AJD8012Z	£0.34	LOCKNUT, 2BA	2	from (c) 463443
91	WL700101	£0.28	WASHER, spring	2	from (c) 463443
94	AJD4444Z	£0.86	SCREW	4	
95	ADA2618	£0.82	WASHER, rubber	1	from (c) 463443
96	ADA1577	NCA	PLATE, boot lock striker	1	1st type
	ADA2593	NCA	PLATE, boot lock striker	1	2nd type,
					from (c) 463443
97	182895	NCA	PLATE, tapping	1	to (c) 448714
98	AJD6155Z	£0.95	BOLT, boot lock striker	2	
	AJD1405Z	NCA	BOLT, boot lock striker	1	
99	GHF300	£0.24	WASHER, plain	3	
100	ADA3688	NCA	SEAL, boot lid, rubber	1	from (c) 705329
101	AAA1879	NCA	STAY ASSEMBLY, bootlid	1	to (c) 695785
	ALA2769	NCA	STAY ASSEMBLY, bootlid	1	
102	AAA2398	NCA	SPRING, bootlid stay	1	for 1st type
103	AAA1523	NCA	WASHER, spherical	1	of stay only
104	AAA1524	£6.40	CLIP, stay, metal	1	
	ADA3647	NCA	CLIP, stay, rubber	1	2nd type,
					to (c) 1082279
105	GHF400	£0.22	SCREW	2	
106	ADA4316	NCA	STAY ASSEMBLY, bootlid, telescopic	1	
107	PMZ308	£0.36	SCREW, stay to body	2	
108	WL700101	£0.28	WASHER, spring	2	from (c) 1082280
109	FNZ103	£0.34	NUT	2	
110	PMZ308	£0.36	SCREW, stay to bootlid	2	
111	WL700101	£0.28	WASHER, spring	2	
112	AAA3691	NCA	BUFFER	2	
113	GHF421	£0.16	SCREW	2	
114	GHF300	£0.24	WASHER	2	



ill.	Part Number	Price Eea.	Description	Req.	Details
Traveller Rear Body					
Body Frame & Panels					
1	AFA888	NCA	SHUT PILLAR, rear door, RH	1	
	AFA889	NCA	SHUT PILLAR, rear door, LH	1	
2	AFA886	NCA	HINGE PILLAR, rear door, RH	1	
	AFA887	NCA	HINGE PILLAR, rear door, LH	1	
3	AFA890	NCA	DOOR RAIL, upper, RH	1	
	AFA891	NCA	DOOR RAIL, upper, LH	1	
4	AFA500	NCA	DOOR RAIL, waist, RH	1	
	AFA501	NCA	DOOR RAIL, waist, LH	1	
5	AFA502	NCA	DOOR RAIL, bottom, RH	1	
	AFA503	NCA	DOOR RAIL, bottom, LH	1	
6	AFA504	NCA	FILLET, top	2	
7	AFA506	NCA	FILLET, shut pillar, RH	1	
	AFA507	NCA	FILLET, shut pillar, LH	1	
8	AFA505	NCA	FILLET, bottom	2	
9	AFA508	NCA	FILLET, hinge pillar, RH	1	
	AFA509	NCA	FILLET, hinge pillar, LH	1	
10	AFA574	NCA	SEAL KIT, rear door	2	per door
			(Comprises: AFA572, AFA573, AAA4578, AFA571).		
	AFA572	NCA	DOOR SEAL, shut pillar	2	
	AFA573	NCA	DOOR SEAL, bottom rail	2	
	AAA4578	NCA	DOOR SEAL, top rail	2	
	AFA571	NCA	DOOR SEAL, hinge pillar	2	
11	ADA2871	£10.20	BADGE, "Minor"	1	from (c) 548904
12	ADA2612	£10.20	BADGE, "1000"	1	from (c) 548904
13	PFS103	£0.50	SPIRE CLIP, steel	6	from (c) 548904
	GHF1531	£0.34	SLEEVE, blind fix, plastic	6	alternative
14	AFA532	NCA	DOOR PANEL, rear, RH	1	
	AFA533	NCA	DOOR PANEL, rear, LH	1	
15	ADA781	NCA	SEAL, roof, seam	1	
16	AFA639	NCA	FILLET, roof front	1	
	ADA2801	NCA	FILLET, roof front	1	from (c) 490160
17	AFA450	NCA	ROOF RAIL, front	1	
18	27GR1002	NCA	PACKING STRIP, roof panel	1	
19	AFA475	NCA	LINING STRIP, roof panel	2	
20	AFA451	NCA	ROOF RAIL, rear	1	
23	ADA4040	NCA	FLOORBOARD, RH	1	
	AFA714	NCA	FLOORBOARD, LH	1	
	ADA4041	NCA	FLOORBOARD, LH	1	from (c) 485127
24	ADA4006	£49.80	COVER, spare wheel	1	
25	AFA144	NCA	FILLET, spare wheel cover, RH	1	
	AFA145	NCA	FILLET, spare wheel cover, LH	1	
26	ADA6358	£0.82	NUT	6	
27	AJD4247Z	£0.56	SCREW, floorboard securing	10	
28	AAA835	£0.46	WASHER, countersunk	18	
29	AFA484	NCA	FILLET, top waist rail	2	to (c) 245868 approx.
30	AFA898	NCA	CAPPING, door pillar, RH	1	
	AFA899	NCA	CAPPING, door pillar, LH	1	
31	AFA452	NCA	DOOR PILLAR, front, RH, 'flat' type	1	first 700 bodies only
	AFA664	NCA	DOOR PILLAR, front, RH, 'footer' type	1	
	AFA453	NCA	DOOR PILLAR, front, LH, 'flat' type	1	first 700 bodies only
	AFA665	NCA	DOOR PILLAR, front, LH, 'footer' type	1	
32	AFA480	NCA	CAPPING, cant rail, RH	1	
	AFA698	NCA	CAPPING, cant rail, RH	1	from (c) 490160
	AFA776	NCA	CAPPING, cant rail, RH	1	from (c) 990290 approx.
	AFA481	NCA	CAPPING, cant rail, LH	1	
	AFA699	NCA	CAPPING, cant rail, LH	1	from (c) 490160
32	AFA777	NCA	CAPPING, cant rail, LH	1	from (c) 990290 approx.
33	AFA466	NCA	CANT RAIL, RH	1	
	AFA467	NCA	CANT RAIL, LH	1	
34	AFA482	NCA	CAPPING, waist rail, RH	1	
	AFA1464	NCA	CAPPING, waist rail, LH	1	from (c) 990290 approx.
	AFA483	NCA	CAPPING, waist rail, RH	1	
	AFA1465	NCA	CAPPING, waist rail, LH	1	from (c) 990290 approx.
35	AFA462	NCA	WAIST RAIL, RH	1	
	AFA1463	NCA	WAIST RAIL, LH	1	from (c) 990290 approx.
	AFA463	NCA	WAIST RAIL, RH	1	
	AFA1464	NCA	WAIST RAIL, LH	1	
36	AFA771	NCA	FILLET, bottom of waist rail	2	
37	AFA464	NCA	BLOCK, wheel arch to rail	2	
38	AFA460	NCA	WHEEL ARCH, rear, RH	1	
	AFA461	NCA	WHEEL ARCH, rear, LH	1	
39	AFA458	NCA	WHEEL ARCH, centre, RH	1	
	AFA459	NCA	WHEEL ARCH, centre, LH	1	
40	AFA456	NCA	WHEEL ARCH, front, RH	1	first 700 bodies only
	AFA668	NCA	WHEEL ARCH, front, RH	1	
	AFA457	NCA	WHEEL ARCH, front, LH	1	first 700 bodies only
	AFA669	NCA	WHEEL ARCH, front, LH	1	

ill.	Part Number	Price Eea.	Description	Req.	Details
41	AFA488	NCA	FILLET, inner sill	2	
42	AFA454	NCA	RAIL, sill, RH	1	first 700 bodies only
	AFA666	£37.30	RAIL, sill, RH	1	
	AFA455	NCA	RAIL, sill, LH	1	first 700 bodies only
	AFA667	£37.30	RAIL, sill, LH	1	
43	AFA468	NCA	PILLAR, rear corner, RH	1	
	AFA1486	NCA	PILLAR, rear corner, LH	1	from (c) 990290
	AFA469	NCA	PILLAR, rear corner, RH	1	
	AFA1487	NCA	PILLAR, rear corner, LH	1	from (c) 990290
44	AFA471	NCA	RAIL, rear valance, lower	1	
45	AFA470	NCA	RAIL, rear valance, upper	1	
46	AFA474	NCA	BLOCK SET, rear valance	1	
48	AFA485	NCA	FILLET, cant rail capping, front	2	
	AFA695	NCA	FILLET, glass runner, top	2	from (c) 245868
50	AFA478	NCA	FILLET, rear door pillar, RH, pair	1	
	AFA479	NCA	FILLET, rear door pillar, LH, pair	1	
51	AFA548	NCA	SUPPORT RAIL, boot floor, rear	1	
52	AFA534	£24.40	VALANCE, rear	1	
53	AFA530	NCA	SIDE PANEL, rear, RH	1	
	AFA531	NCA	SIDE PANEL, rear, LH	1	
54	AFA528	NCA	SIDE PANEL, front, RH	1	
	AFA529	NCA	SIDE PANEL, front, LH	1	
55	AFA561	NCA	ROOF PANEL, rear	1	
	APA637	NCA	ROOF PANEL, front	1	
56	AFA562	NCA	MOULDING, roof gutter	1	two 7' pieces
57	AFA536	NCA	BRACKET, frame corner, rear, RH	1	
	AFA537	NCA	BRACKET, frame corner, rear, LH	1	
58	AFA544	NCA	BRACKET, frame corner, front, RH	1	
	AFA545	NCA	BRACKET, frame corner, front LH	1	
60	AFA696	NCA	FILLET, lower glass runners	2	from (c) 245868
61	AFA546	NCA	SUPPORT RAIL, boot floor, centre	1	
62	AFA631	NCA	SUPPORT RAIL, boot floor, front	1	
64	AJD8104	£0.56	NUT	10	
65	AJD8104	£0.56	NUT	2	
66	AJD1549ZP	£2.05	SCREW	6	
69	AJD4244Z	£0.54	SCREW	2	
72	ADA1829	NCA	DUST SEAL, sill	2	

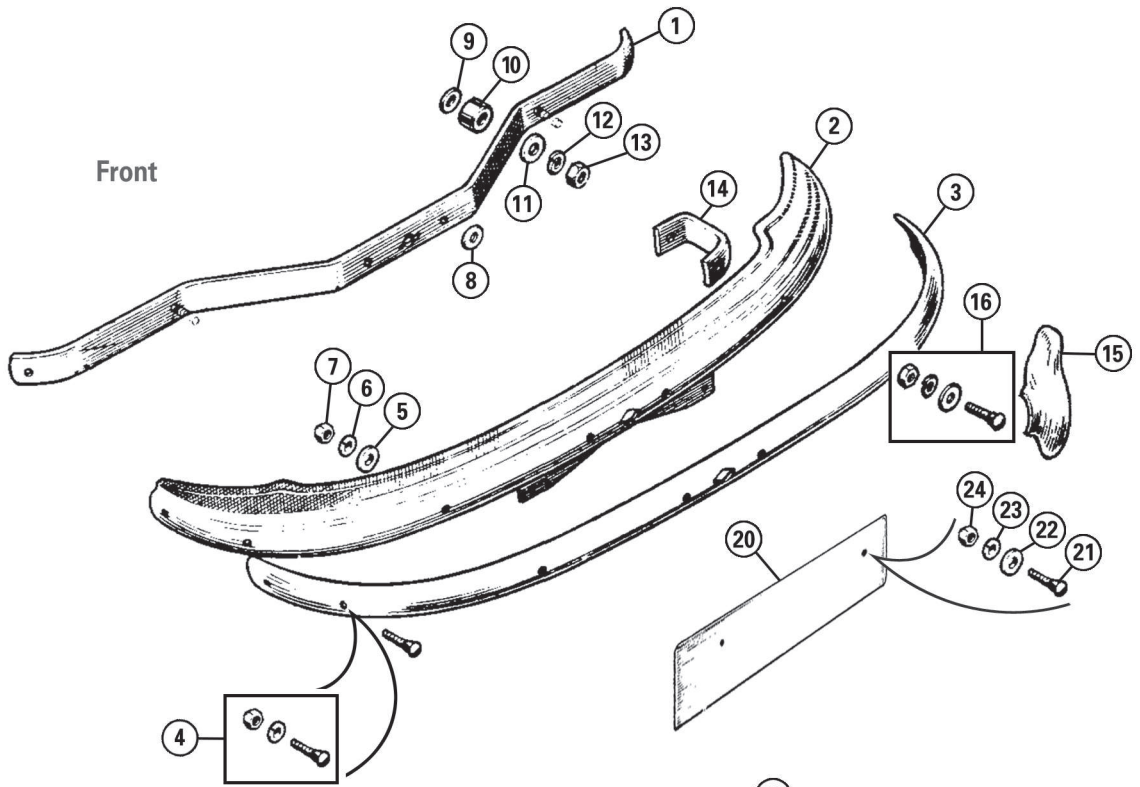
Rear Door Locks & Hinges

75	AFF458	NCA	SOCKET, door locking rod	2	
76	AFF457	NCA	SPRING, anti rattle	1	
77	AFF455	NCA	GUIDE PLATE, door locking rod	1	
78	AFF456	NCA	SPRING, anti rattle	1	
79	AFF454	NCA	GUIDE PLATE, door locking rod	1	
80	AFF474	NCA	GUIDE PLATE, check strap, RH	1	
	AFF475	NCA	GUIDE PLATE, check strap, LH	1	
81	AFF468	NCA	CHECK STRAP, rear door, RH	1	
	AFF469	NCA	CHECK STRAP, rear door, LH	1	
82	AFA540	NCA	LOCK MECHANISM	1	
83	AAA4555	NCA	CATCH PLATE	1	
84	AFA543	£75.50	HANDLE, locking	1	
85	17H2475	£2.90	KEY, 'FS', blank	2	
86	AFA1490	NCA	HINGE, top, RH	1	
	AFA1491	NCA	HINGE, top, LH	1	
87	AFA1492	NCA	HINGE, bottom, RH	1	
	AFA1493	NCA	HINGE, bottom, LH	1	
88	AAA318	£4.40	PIN	4	
89	AAA1178	£4.10	BALL	4	
90	3G3624	£2.15	SPRING	4	
91	AAA1179	£1.28	LOCK TAB	4	
92	AJD8104	£0.56	NUT	4	
93	AAA5137	NCA	BOLT, hinge to pillar, top	4	hex head
94	AJD6122Z	£2.10	BOLT, hinge to pillar, bottom	4	hex head
95	AJD3146Z	£5.40	BOLT, hinge to door	8	
			(This bolt requires cutting to correct length).		
96	AJD8104	£0.56	NUT, bottom pillar bolt	4	
97	AJD8214Z	£0.40	NUT, door & top pillar bolts	12	
98	AAA1180	£10.30	REPAIR KIT, hinge	4	
			(Includes: Items 88, 89, 90, 91, 92).		
99	GHF332	£0.43	WASHER, spring	16	

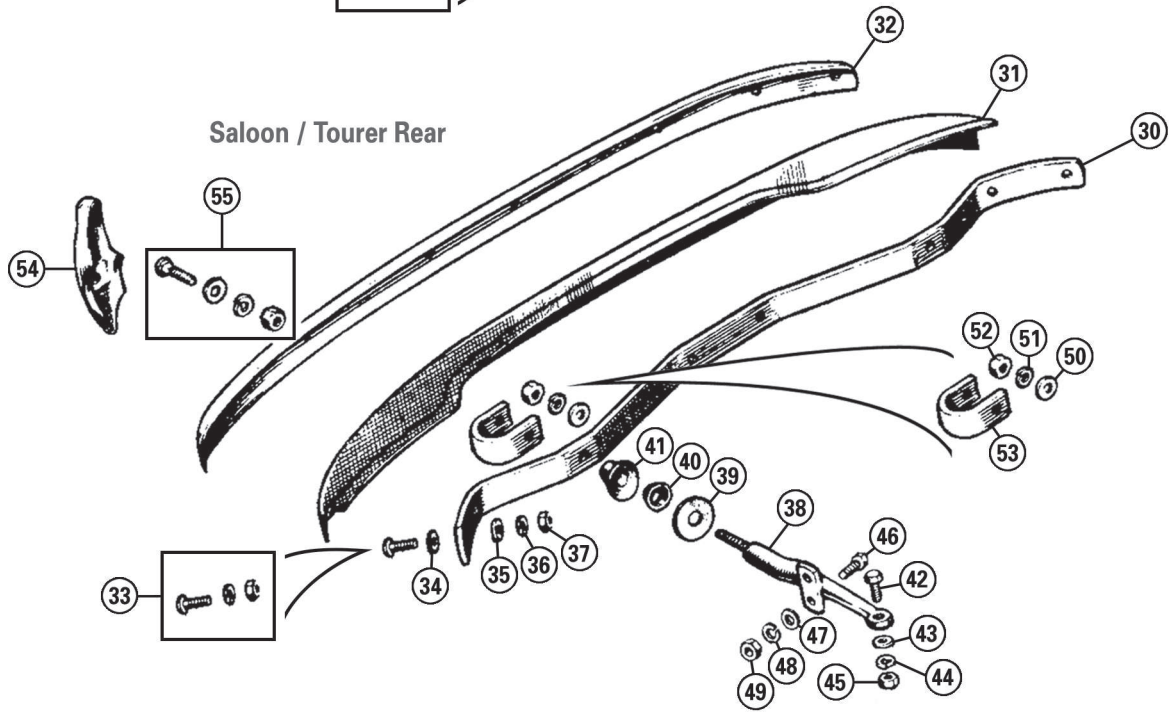
Rear Frame Brackets & Hardware

100	AJD4550Z	£1.84	SCREW, support rail to pillar	4	
101	ACA5874	NCA	WASHER, cup	4	
102	ADA790	NCA	PACKING	a/r	
103	AJD6114Z	£1.40	BOLT	4	
104	WM57	£0.26	WASHER, plain	8	
105	GHF331	£0.42	WASHER, spring	4	
106	AJD8104	£0.56	NUT, plain	4	
107	AJD6260Z	£2.27	SCREW	4	
108	PWZ205	£0.34	WASHER, plain	4	
109	GHF332	£0.43	WASHER, spring	4	
110	AJD8105Z	£0.34	NUT, plain	4	

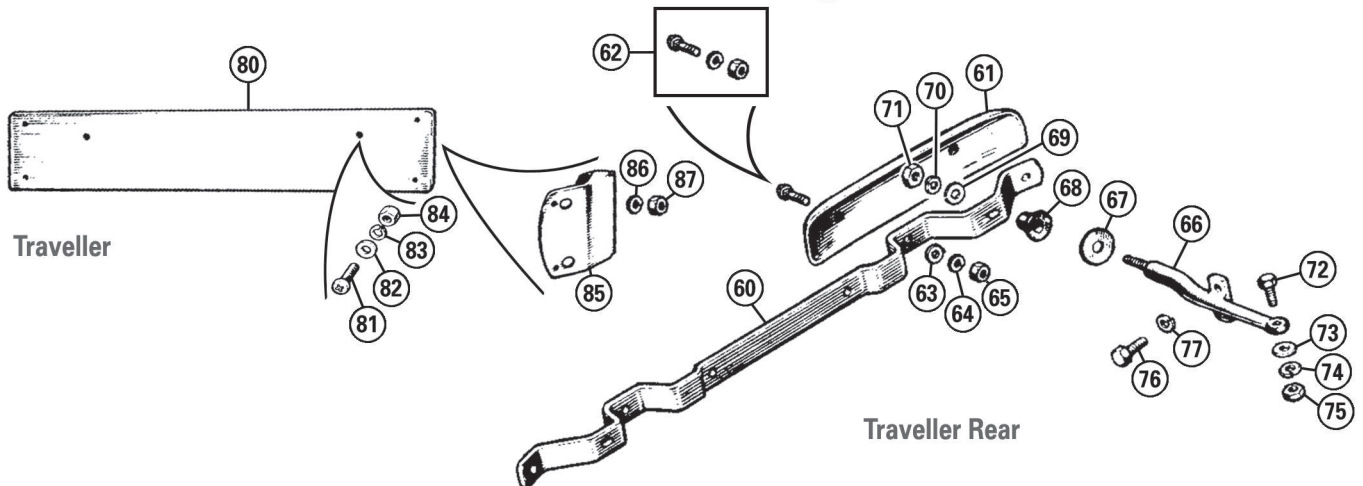
Front



Saloon / Tourer Rear



Traveller



ill. Part Number Price Eea. Description Req. Details

Bumpers, Number Plates & Fittings

Bumpers & Fittings: Front, All Models

1	AAA3306	NCA	MOUNTING BAR, front bumper	1	
2	AAA3305	NCA	VALANCE, front bumper	1	to (c) 291139
2	ACA5134	NCA	VALANCE, front bumper, steel	1	from (c) 291140
	ACA5134FG	£50.50	VALANCE, front bumper, fibreglass	1	
3	AAA3307	NCA	BUMPER BLADE, front, chrome	1	to (c) 291139
3	ACA5126	£180.10	BUMPER BLADE, front, chrome	1	from (c) 291140
4	AAA3308	£2.21	BOLT, chrome, small, 5/16" BSF	6/8	includes nut &
	AAA3516	NCA	BOLT, chrome, large, 3/8" UNF	6/8	washer

Note: Quantity of bolts required for fitting the bumper is reduced from 8 to 6 when overriders are fitted. When fitting part number ACA5126, use fixing bolt AAA3308.

5	GHF301	£0.10	WASHER, plain, 5/16"	6/8	
	GHF302	£0.36	WASHER, plain, 3/8"	6/8	
6	GHF332	£0.43	WASHER, spring, 5/16"	6/8	
	GHF333	£0.34	WASHER, spring, 3/8"	6/8	
7	AJD8105Z	£0.34	NUT, 5/16" BSF	8	
	AJD8106Z	£0.50	NUT, 3/8" BSF	8	
	GHF201	£0.47	NUT, 5/16" UNF	8	
	GHF202	£0.36	NUT, 3/8" UNF	8	
8	PWZ205	£0.34	WASHER, plain, valance to bar	4	
9	GHF304	£0.37	WASHER, plain	2	
10	AAA2387	NCA	WASHER, cup, to mounting stud	2	
11	AJD7252	NCA	WASHER, plain, large	2	
12	GHF335	£0.49	WASHER, spring	2	
13	AJD8108Z	£0.64	NUT	2	
14	181569	NCA	BRACKET, overrider support	2	
	ACA5130	NCA	BRACKET, overrider support	2	from (c) 291140
15	AAA3495	£36.10	OVERRIDER	2/4	
16	AAA3419K	£1.06	BOLT KIT, overrider fixing (Includes washer, spring washer & nut).	2	
	AAA3419	NCA	BOLT, overrider fixing	2	
	GHF303	£0.34	WASHER, plain, overrider fixing	2	
	GHF334	£0.78	WASHER, spring, overrider fixing	2	
	ACA5423	NCA	NUT, overrider fixing	2	

Number Plate Mountings: Front, All Models

20	ALK3268	£6.30	BACK PLATE, front	1	
	ALK3268SS	£13.90	BACK PLATE, front, stainless steel	1	
21	SE604051	£0.50	SCREW, plate to bumper valance	2	
22	WM832	£3.30	SPACER	2	
23	GHF331	£0.42	WASHER, spring	2	
24	GHF200	£0.48	NUT	2	

Bumpers & Fittings: Rear, Saloon & Tourer Models

30	AAA3310	NCA	MOUNTING BAR, rear bumper	1	
31	AAA3309	NCA	VALANCE, rear bumper, steel	1	
	AAA3309FG	£53.70	VALANCE, rear bumper, fibreglass	1	
32	AAA3311	£152.30	BUMPER BLADE, rear, chrome	1	
33	AAA3308	£2.21	BOLT, chrome, small 5/16" BSF	6/8	includes nut &
	1G9872	NCA	BOLT, chrome, large, 3/8" UNF	6/8	washer
34	GHF301	£0.10	WASHER, plain, 5/16"	6/8	
	GHF302	£0.36	WASHER, plain, 3/8"	6/8	
35	PWZ205	£0.34	WASHER, plain, 5/16"	6/8	
36	GHF332	£0.43	WASHER, spring, 5/16"	6/8	
	GHF333	£0.34	WASHER, spring, 3/8"	6/8	
37	AJD8105Z	£0.34	NUT, 5/16" BSF	8	
	AJD8106Z	£0.50	NUT, 3/8" BSF	8	
	GHF201	£0.18	NUT, 5/16" UNF	8	
	GHF202	£0.36	NUT, 3/8" UNF	8	
38	AAA3460	NCA	MOUNTING STUD, RH	1	
	AAA3461	NCA	MOUNTING STUD, LH	1	
39	ACA5423	NCA	WASHER, fibre	2	
40	AAA3499	£1.73	GROMMET	2	
41	AAA575	£2.60	GROMMET, rubber, bumper stud	2	
42	AJD6310Z	£2.20	BOLT	2	
43	GHF302	£0.36	WASHER, plain	2	
44	GHF333	£0.34	WASHER, spring	2	
45	AJD8106Z	£0.50	NUT	2	
46	320-380	£1.48	BOLT	4	
47	PWZ205	£0.34	WASHER, plain	4	
48	GHF332	£0.43	WASHER, spring	4	
49	GHF201	£0.18	NUT	4	
50	GHF304	£0.37	WASHER, plain	2	
51	GHF335	£0.49	WASHER, spring	2	
52	311-280	£1.25	NUT	2	
53	181568	NCA	BRACKET, overrider support	2	
54	AAA3495	£36.10	OVERRIDER	2/4	

ill. Part Number Price Eea. Description Req. Details

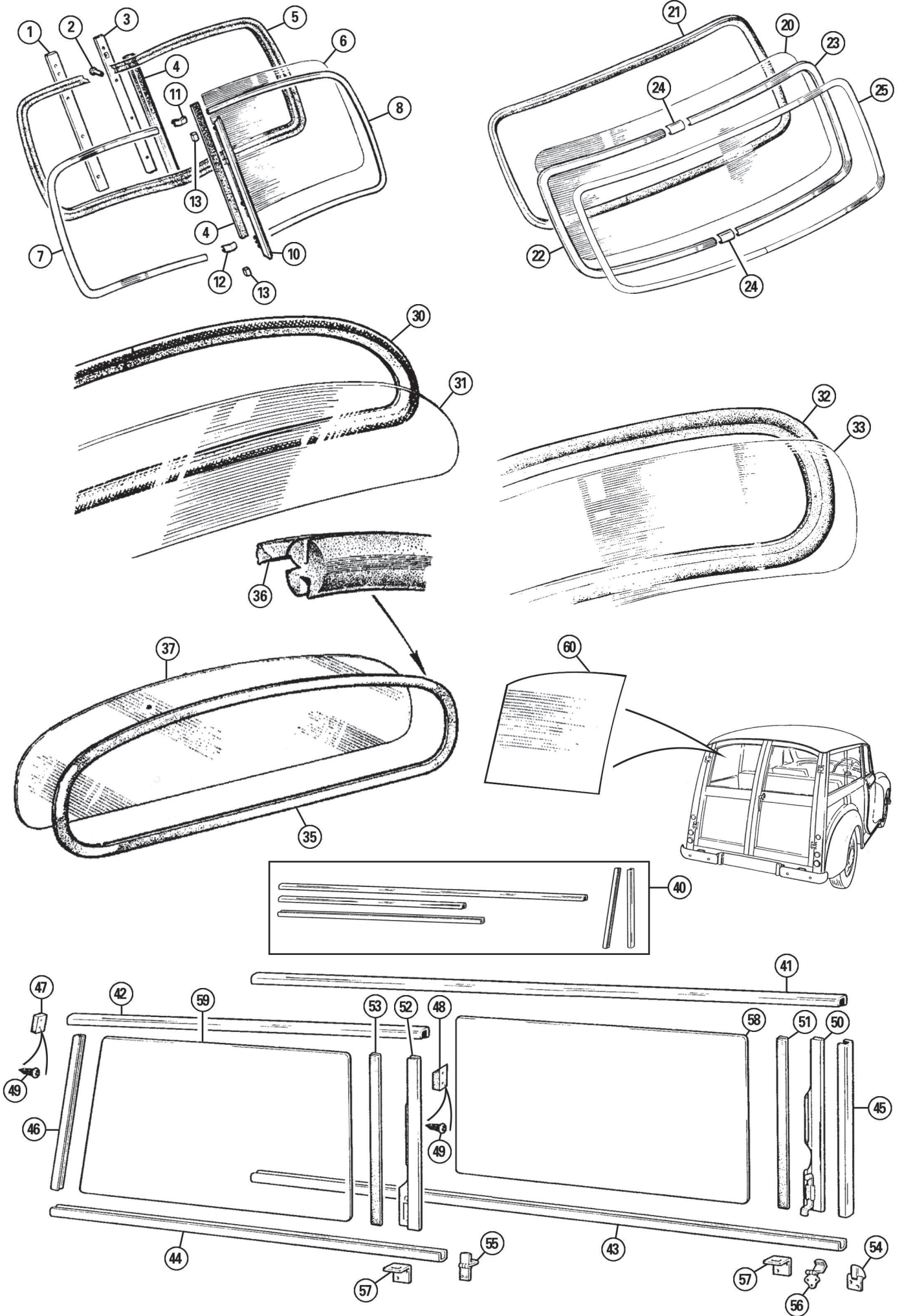
55	AAA3419K	£1.06	BOLT KIT, overrider fixing (Includes washer, spring washer & nut).	2	
	AAA3419	NCA	BOLT, overrider fixing	2	
	GHF303	£0.34	WASHER, plain, overrider fixing	2	
	GHF334	£0.78	WASHER, spring, overrider fixing	2	
	ACA5423	NCA	NUT, overrider fixing	2	

Bumpers & Fittings: Rear, Traveller Models

60	ADA682	NCA	MOUNTING BAR, rear bumper	1	
61	AAA2422	£55.20	BUMPER BLADE, chrome	2	
62	AAA2459	£3.20	BUMPER BOLT, chrome, 7/16" BSF	4	includes nut & washer
63	GHF303	£0.34	WASHER, plain, 7/16"	4	
64	GHF334	£0.78	WASHER, spring, 7/16"	4	
65	311-280	£1.25	NUT, 7/16" BSF	4	
66	AAA3460	NCA	MOUNTING STUD, RH	1	
	AAA3461	NCA	MOUNTING STUD, LH	1	
67	ACA5423	NCA	WASHER, fibre	2	
68	ADA681	NCA	GROMMET, rubber	2	
69	GHF304	£0.37	WASHER, plain	2	
70	GHF335	£0.49	WASHER, spring	2	
71	GHF204	£0.46	NUT	2	
72	AJD6310Z	£2.20	BOLT	2	
73	GHF302	£0.36	WASHER, plain	2	
74	GHF333	£0.34	WASHER, spring	2	
75	AJD8106Z	£0.50	NUT	2	
76	320-370	£2.80	BOLT, bracket to wheel arch	4	
77	GHF332	£0.43	WASHER, spring	4	

Number Plate Mountings: Rear, Traveller Models

80	14A7552Z	£11.20	BACK PLATE, rear	1	
	14A7552SS	£19.20	BACK PLATE, rear, stainless steel	1	
81	ADA683K	£3.00	FITTING KIT, number plate	1	
82	GHF301	£0.10	WASHER	2	
83	GHF332	£0.43	WASHER, spring	2	
84	AJD8105Z	£0.34	NUT	2	
85	14A8300	NCA	BRACKET, number plate lamp	2	
86	WL700101	£0.28	WASHER, spring	4	
87	FNZ103	£0.34	NUT	4	



ill. Part Number Price £ea. Description Req. Details

Screens & Fittings

Windscreen & Fittings: SII, Split Screen Models

1	183835	NCA	PACKING, centre pillar	1	
2	AAA2117	NCA	SLEEVE NUT, centre pillar	4	
3	AAA3280	NCA	FINISHER, inner	1	
4	AAA2258K	£13.60	WEATHERSTRIP SET, 2 piece	1	inner & outer
5	ADA1848	£45.20	SEAL, rubber, windscreen	1	
6	AAA2254	NCA	GLASS, windscreen, laminated	2	

Note: Special shipping applies to all windscreens. Please see page 02 for more information.

7	AAA2219	NCA	FINISHER, outer, RH	1	
8	AAA2220	NCA	FINISHER, outer, LH	1	
10	AAA3294	£58.10	PILLAR, centre	1	to (c) 448714
11	AAA2227	NCA	CAPPING, centre, upper	1	
12	AAA2228	NCA	CAPPING, centre, lower	1	
13	182699	NCA	SPACER BLOCK, pillar	2	

Windscreen & Fittings: '1000' Models, Single Piece Screen

20	ADA4593	£163.80	GLASS, windscreen, laminated	1	
	ADA4593H	£201.50	GLASS, windscreen, laminated	1	heated

Note: Special shipping applies to all windscreens. Please see page 02 for more information.

21	ADA1889	£52.00	SEAL, rubber, windscreen	1	from (c) 448801, for 2 piece metal finisher
	ADA4642	£24.90	SEAL, rubber, windscreen	1	from (c) 1168813, for 'plastichrome' finisher
22	ADA1883	NCA	FINISHER, metal, RH	1	from (c) 448801
23	ADA1884	NCA	FINISHER, metal, LH	1	
24	ADH573	NCA	CAPPING, finisher joint	2	
25	27H6709	£12.20	FINISHER, 'plastichrome' insert	1	from (c) 1168813

Rear Window & Seals: Saloon Models

30	AAA3231	£26.10	SEAL, rubber, rear window	1	to (c) 448714
31	AAA1850	NCA	GLASS, rear window	1	
32	ADA3509	£62.10	SEAL, rubber, rear window	1	from (c) 448801
33	ADA3507	£163.00	GLASS, rear window	1	
	ADA3507H	£130.50	GLASS, rear window	1	heated

Note: Special shipping applies to all windscreens. Please see page 02 for more information.

Rear Window & Seals: Pick-Up Models

35	AAA2375	£17.40	SEAL, rubber, rear window	1	
36	AAA4074	£5.10	INSERT, rubber	1	
37	AAA4077	£54.00	GLASS, rear window	1	

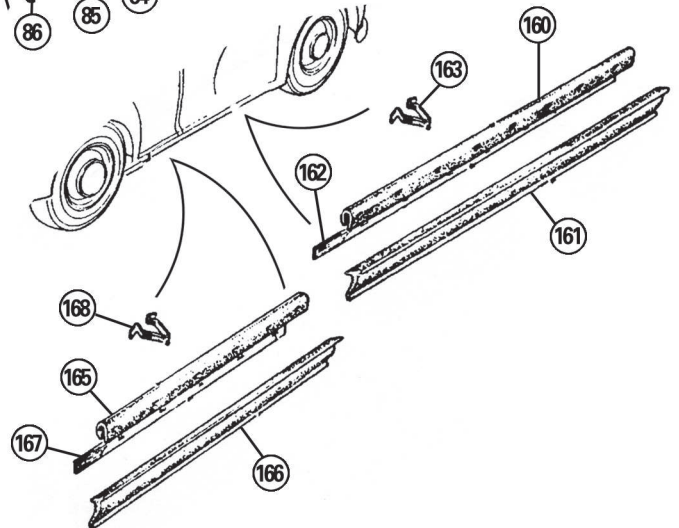
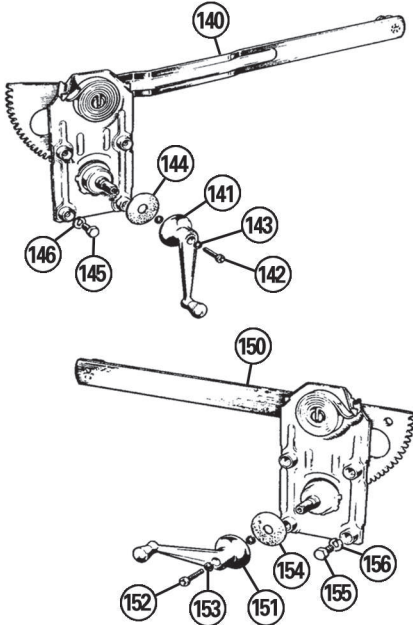
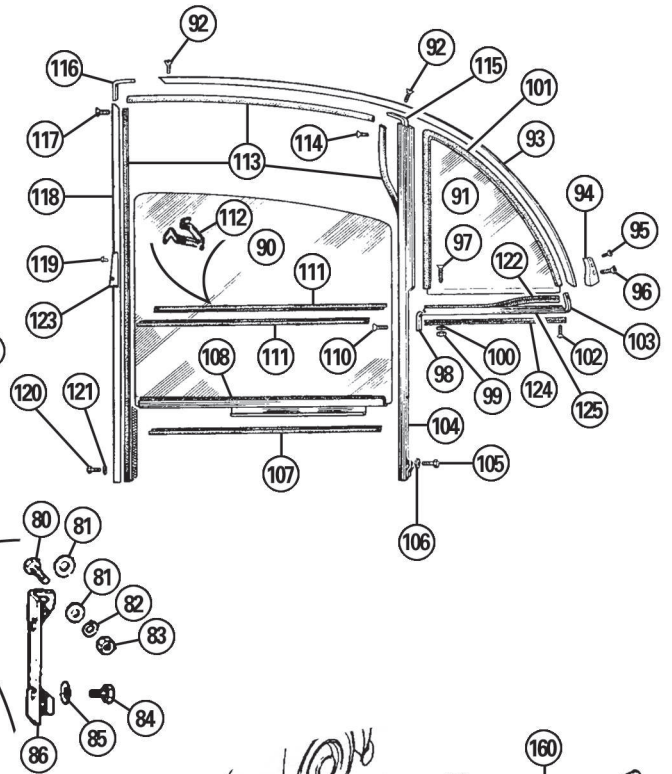
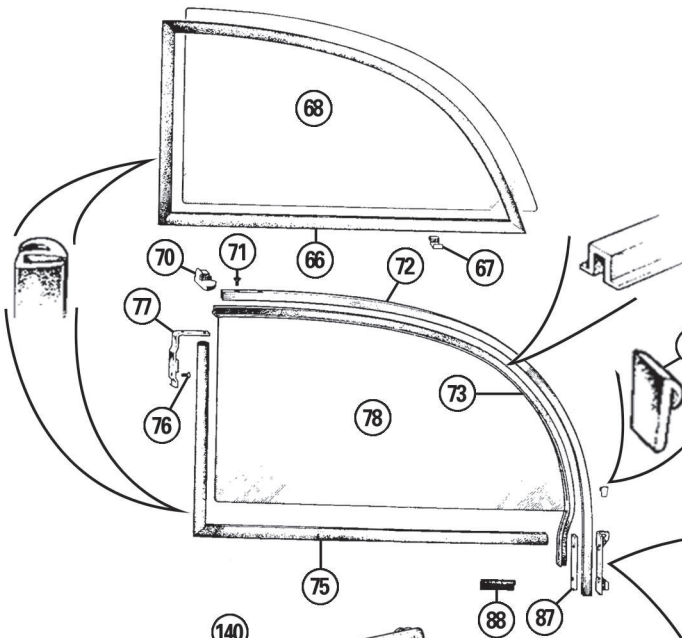
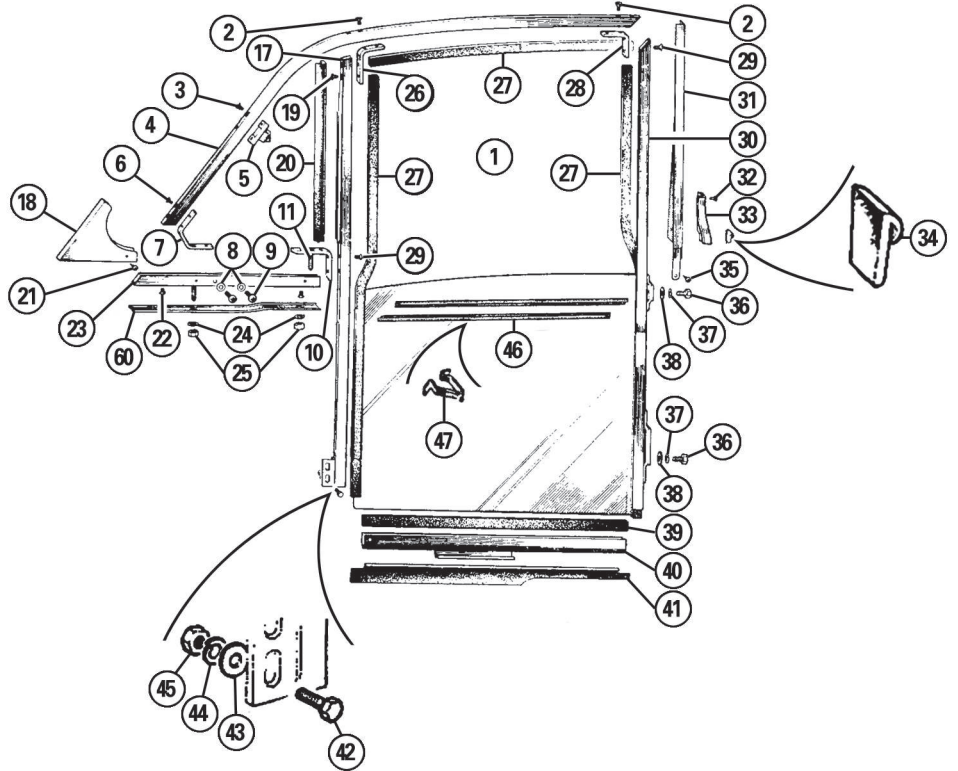
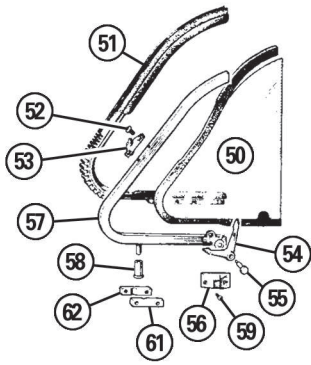
Note: Special shipping applies to all windscreens. Please see page 02 for more information.

Side Windows: Traveller Rear

40	AFA566K	£66.30	WINDOW CHANNEL KIT, per side (This is supplied as a length of felt window channel which includes enough material to make 41, 42, 44, 45 & 46. For one side only. This will need to be cut and straightened to fit).	1	
41	AFA566	NCA	CHANNEL, felt, top/outer	2	
42	AFA565	NCA	CHANNEL, felt, top/inner	2	
43	AFA568	£37.00	CHANNEL, felt, bottom/outer	2	
44	AFA567	NCA	CHANNEL, felt, bottom/inner	2	
45	AFA569	NCA	CHANNEL, felt, front pillar	2	
46	AFA570	NCA	CHANNEL, felt, rear pillar	2	
47	AFA557	NCA	BUFFER, rear pillar	2	
48	AFH594	NCA	BUFFER, centre	2	Traveller from (c) 245868
49	CTZ407	NCA	SCREW	4	
50	AFA554	NCA	PULL HANDLE, front glass, RH	1	to (b) M-AW5-51603
	AFA555	NCA	PULL HANDLE, front glass, LH	1	approximately
	AFA880	NCA	PULL HANDLE, front glass, RH	1	from (b) M-AW5-51604
	AFA881	NCA	PULL HANDLE, front glass, LH	1	to (c) M-AW5 1130300
	ADA4493	NCA	PULL HANDLE, front glass, RH	1	from (c) M-AW5
	ADA4494	NCA	PULL HANDLE, front glass, LH	1	1130301
51	AFA563	NCA	RUBBER, pull handle to glass, front	2	
52	AFA556	NCA	PULL HANDLE, rear glass	2	to (b) M-AW5-51603 approximately
	14A9635	NCA	PULL HANDLE, rear glass, RH	1	from (b) M-AW5-51604
	14A7636	NCA	PULL HANDLE, rear glass, LH	1	to (c) M-AW5 1130300

ill. Part Number Price £ea. Description Req. Details

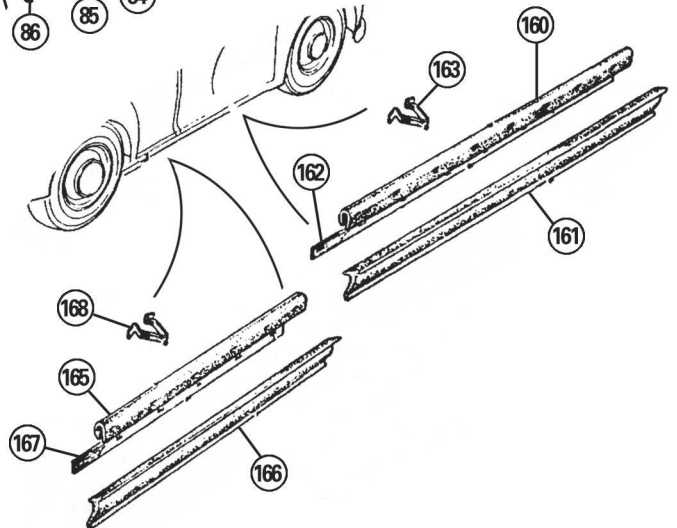
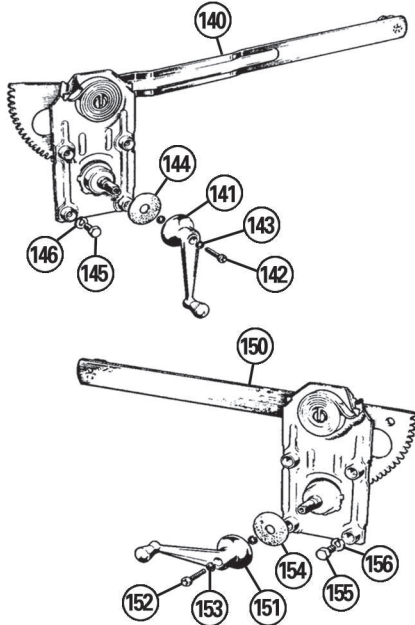
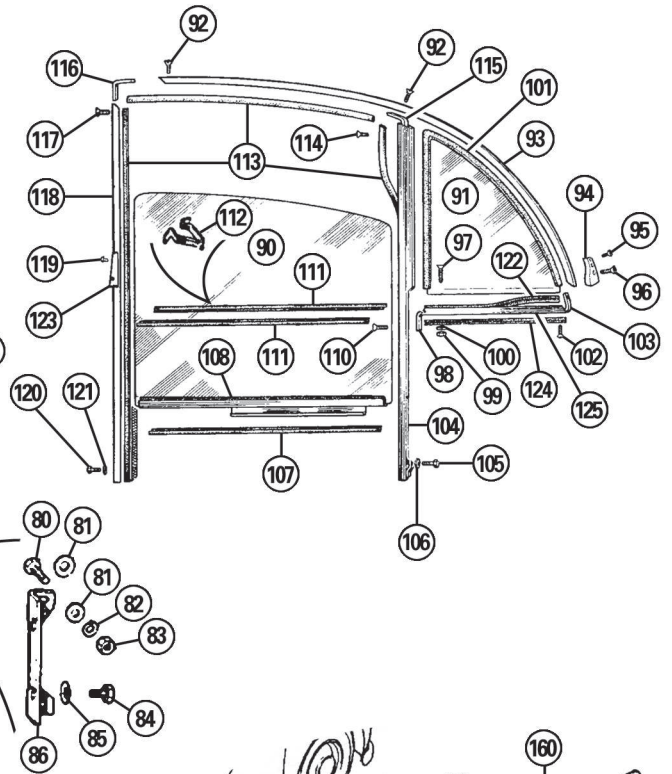
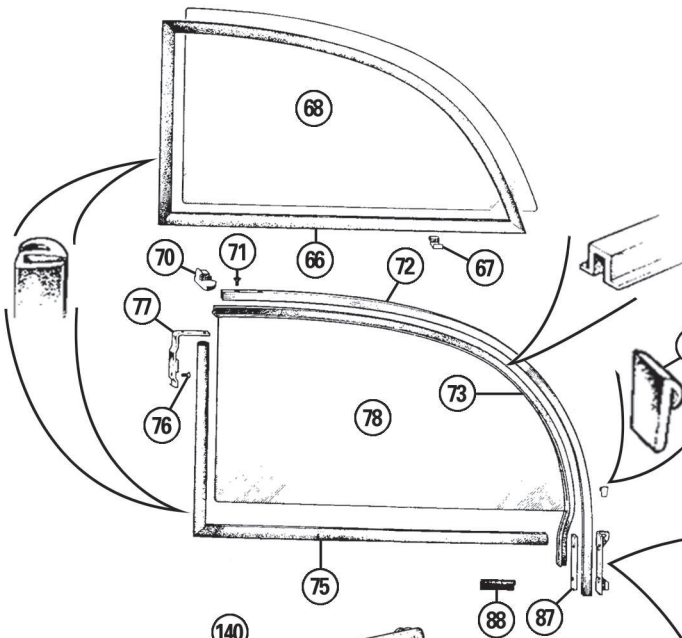
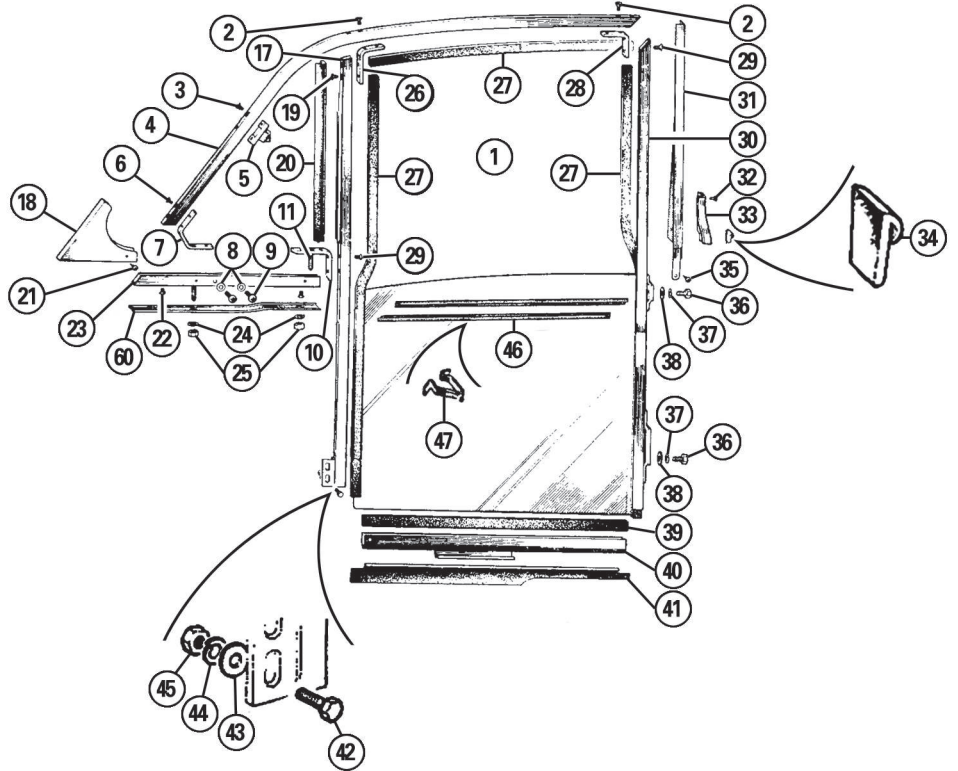
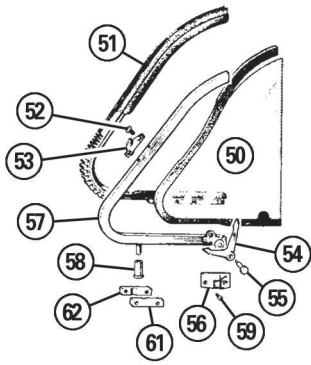
	ADA4493	NCA	PULL HANDLE, rear glass, RH	1	from (c) M-AW5
	ADA4494	NCA	PULL HANDLE, rear glass, LH	1	1130301
53	AFA564	NCA	RUBBER, pull handle to glass, rear	2	
54	AAA4575	NCA	LOCK, side glass, front	2	to (b) M-AW5-51603 approximately
55	AAA4561	NCA	LOCK, side glass, rear	2	
56	14A7638	NCA	LOCK, side glass, front	2	from (b) M-AW5-51604 to (c) M-AW5 1130300
57	ADA4488	NCA	BRACKET, window catch	4	from (c) M-AW5 1130301
58	AFA558	NCA	GLASS, sliding window, front	2	
59	AFA559	NCA	GLASS, sliding window, rear	2	
60	AFA560	NCA	GLASS, rear door	2	



ill.	Part Number	Price Eea.	Description	Req.	Details
Door Fittings					
Front Door Window Frames & Glazing					
1	AAA1448	NCA	GLASS, door, front	2	2 door, Tourer & Traveller
	AAA1609	£71.70	GLASS, door, front	2	4 door
2	ARA738	NCA	SCREW	a/r	
3	ARA739	£1.18	SCREW	4	
4	ARA708	NCA	CHANNEL, outer, RH	1	2 door, Tourer & Traveller
	ARA709	NCA	CHANNEL, outer, LH	1	
	ARA757	NCA	CHANNEL, outer, RH	1	4 door
	ARA758	NCA	CHANNEL, outer, LH	1	
5	ARA731	NCA	HINGE, vent, upper, RH	1	
	ARA732	NCA	HINGE, vent, upper, LH	1	
6	AJD4244C	£1.12	SCREW, channel to bracket	2	
7	ARA718	NCA	BRACKET, front corner	2	
8	ARA742	NCA	WASHER	4	
9	AJD1445C	NCA	SCREW	4	
10	ARA513	NCA	BRACKET, rear, RH	1	4 door
	ARA514	NCA	BRACKET, rear, LH	1	
	ARA722	NCA	BRACKET, rear, RH	1	2 door, Tourer & Traveller
	ARA723	NCA	BRACKET, rear, LH	1	
11	AJD4450ZP	NCA	SCREW, channel to door	2/4	
17	ARA706	NCA	CHANNEL, vertical, front, RH	1	2 door, Tourer & Traveller
	ARA707	NCA	CHANNEL, vertical, front, LH	1	
	ARA755	NCA	CHANNEL, vertical, front, RH	1	4 door
	ARA756	NCA	CHANNEL, vertical, front, LH	1	
18	ARA719	NCA	CAPPING, front corner	2	
19	AJD4244C	£1.12	SCREW, channel to bracket	2	
20	ARA733	£2.50	RUBBER, vent sealing	2	
	ARA733M	£8.10	RUBBER, vent sealing	2	sold per metre
21	AJD8450C	£0.77	SCREW, capping	4	
22	AJD4244C	£1.12	SCREW, channel to bracket	4	
23	ARA714	NCA	CHANNEL, vent lower, RH	1	2 door, Tourer & Traveller
	ARA715	NCA	CHANNEL, vent lower, LH	1	
	ARA761	NCA	CHANNEL, vent lower, RH	1	4 door
	ARA762	NCA	CHANNEL, vent lower, LH	1	
24	GHF321	£0.24	WASHER, shake-proof	4	
25	AJD8104	£0.56	NUT	4	
26	ARA512	NCA	BRACKET, upper	2	
27	AAA1949	NCA	CHANNEL, inner, felt type	2	
	ADA4755	NCA	CHANNEL, inner, rubber/felt type	2	
28	ARA724	NCA	BRACKET, upper, rear	2	2 door, Tourer & Traveller
	ARA511	NCA	BRACKET, upper, rear	2	4 door
29	AJD4450Z	NCA	SCREW	4	
30	ARA700	NCA	CHANNEL, vertical, rear, RH	1	2 door, Tourer & Traveller
	ARA701	NCA	CHANNEL, vertical, rear, LH	1	
	ARA749	NCA	CHANNEL, vertical, rear, RH	1	4 door
	ARA750	NCA	CHANNEL, vertical, rear, LH	1	
31	ARA708	NCA	CAPPING, outer, rear channel, RH	1	2 door
	ARA709	NCA	CAPPING, outer, rear channel, LH	1	
32	ARO9800	NCA	RIVET	4	4 door
33	ARA759	NCA	CAPPING, outer, rear channel, RH	2	4 door
	ARA760	NCA	CAPPING, outer, rear channel, LH	2	
34	140837	NCA	SEALING PAD	2	
35	AJD8152Z	NCA	SCREW	2	2 door, Tourer & Traveller
36	320-960	£1.51	SCREW	6	
	AJD6153Z	£1.36	SCREW	6	4 door
37	GHF331	£0.42	WASHER, spring	a/r	
38	GHF300	£0.24	WASHER, plain	a/r	
39	078447A	£6.40	GLAZING STRIP, per metre	a/r	
40	AAA2217	NCA	CHANNEL, regulator, RH	1	2 door, Tourer & Traveller
	AAA2218	NCA	CHANNEL, regulator, LH	1	
	AAA3196	NCA	CHANNEL, regulator, RH	1	4 door
	AAA3197	NCA	CHANNEL, regulator, LH	1	
41	AAA3246	NCA	SEALING RUBBER, RH	1	2 door, Tourer & Traveller
	AAA3247	NCA	SEALING RUBBER, LH	1	
	AAA3248	NCA	SEALING RUBBER, RH	1	4 door
	AAA3249	NCA	SEALING RUBBER, LH	1	
42	AJD6106Z	£2.15	SCREW, 1/4" BSF	2	2 door, Tourer & Traveller
	320-960	£1.51	SCREW, 1/4" BSF	2	4 door
	GHF117	£0.34	SCREW, 1/4" UNF	2	alternative
43	GHF300	£0.24	WASHER, plain	2	
44	GHF331	£0.42	WASHER, spring	2	
45	AJD8104	£0.56	NUT, 1/4" BSF	2	
	GHF200	£0.48	NUT, 1/4" UNF	a/r	alternative
46	AAA1581	£5.40	WEATHERSTRIP, door glass	4	2 door, Tourer & Traveller
	AAA1582	£6.80	WEATHERSTRIP, door glass	4	4 door, front
47	BCA4847	£0.50	CLIP, weatherstrip	24	12 per door
50	ARA764	NCA	GLASS, vent	2	

ill.	Part Number	Price Eea.	Description	Req.	Details
51	AAA3557	NCA	SEAL, vent, RH	1	2 door to (c) 434415, Tourer to (c) 434427
	AAA3558	NCA	SEAL, vent, LH	1	NAS: 2 door to (c) 412558, Tourer (c) 412257, 4 door to (c) 411363
	ARA685	£20.40	SEAL, vent, RH	1	2 door from (c) 434416, Tourer from (c) 434428
	ARA686	£20.40	SEAL, vent, LH	1	NAS: 2 door from (c) 412559, Tourer (c) 434429, 4 door from (c) 411364
52	ADA2611	NCA	SCREW	4	
53	AAA3502	NCA	HINGE, vent lower, RH	1	2 door to (c) 434415, Tourer to (c) 434427
	AAA3503	NCA	HINGE, vent lower, LH	1	NAS: 2 door to (c) 412558, Tourer (c) 412257, 4 door to (c) 411363
	ARA687	NCA	HINGE, vent lower, RH	1	2 door from (c) 434416, Tourer from (c) 434428
	ARA688	NCA	HINGE, vent lower, LH	1	NAS: 2 door from (c) 412559, Tourer (c) 434429, 4 door from (c) 411364
54	ARA767	NCA	CATCH, vent, RH	1	
	ARA768	NCA	CATCH, vent, LH	1	
	ARH1710	NCA	PIN	2	
55	ARA735	NCA	STRIKER PLATE, RH	1	
	ARA736	NCA	STRIKER PLATE, LH	1	
57	ADA1772	NCA	VENT ASSEMBLY, RH	1	2 door
	ADA1773	NCA	VENT ASSEMBLY, LH	1	
	18G8494	£91.80	VENT ASSEMBLY, RH	1	4 door
	18G8495	£91.80	VENT ASSEMBLY, LH	1	
	182312	NCA	VENT ASSEMBLY, RH	1	NAS: 2 door to (c) 412558, Tourer (c) 412257, 4 door to (c) 411363
	182313	NCA	VENT ASSEMBLY, LH	1	
	18G8494	£91.80	VENT ASSEMBLY, RH	1	NAS: 2 door from (c) 412559, Tourer (c) 434429, 4 door from (c) 411364
	18G8493	NCA	VENT ASSEMBLY, LH	1	
58	ARA734	NCA	BUSH, lower pivot	2	
59	AD606033	£0.71	SCREW	4	
60	AAA3586	£1.99	SEAL, vent to door shell	2	
61	ARA720	NCA	BLOCK, lower bearing, inner	2	
62	ARA721	NCA	BLOCK, lower bearing, outer	2	
Rear Window Frames & Glazing, 2 Door					
66	AAA4177	£29.70	SEAL, quarter light, RH	1	
	AAA4178	£29.70	SEAL, quarter light, LH	1	
67	AAA4181	NCA	BRACKET, glass retaining	a/r	
68	AAA1466	NCA	GLASS, quarter light	2	
Rear Window Frames & Glazing, Tourer					
70	AAA3599	NCA	SEAL, shut pillar, top, RH	1	
	AAA3600	NCA	SEAL, shut pillar, top, LH	1	
71	AJD2242Z	NCA	SCREW	a/r	
72	AAA3604	NCA	CHANNEL, quarter light, RH	1	
	AAA3605	NCA	CHANNEL, quarter light, LH	1	
73	AAA3601	NCA	SEAL, quarter light, upper	2	
75	AAA4179	£24.30	SEAL, quarter light, lower, RH	1	
	AAA4180	£24.30	SEAL, quarter light, lower, LH	1	
76	AJD4444Z	£0.86	SCREW	4	
77	AAA3651	NCA	BRACKET, front, top, RH	1	
	AAA3652	NCA	BRACKET, front, top, LH	1	
78	AAA3602	NCA	GLASS, quarter light	2	
80	AJD6155Z	£0.95	SCREW, 1/4" BSF	4	
	SH604051	£0.34	SCREW, 1/4" UNF	a/r	alternative
81	GHF300	£0.24	WASHER	8	
82	GHF331	£0.42	WASHER, spring	4	
83	AJD8104	£0.56	NUT, 1/4" BSF	4	
	GHF200	£0.48	NUT, 1/4" UNF	a/r	alternative
84	AJD6155Z	£0.95	SCREW, 1/4" BSF	4	
85	GHF300	£0.24	WASHER, plain	4	
86	AAA3594	NCA	BRACKET, rear support	2	
87	AAA3598	NCA	PLATE, tapped	2	
88	AAA2485	NCA	PAD, sealing	2	Tourer from (c) 447961

Note: For door regulators, see page 131.



ill. Part Number Price Eea. Description Req. Details

Door Fittings (Continued)

Rear Doors

90	AAA1608	£69.80	GLASS, door, rear	2	
91	AAA1607	NCA	GLASS, quarter light	2	
92	ARA738	NCA	SCREW	2	
93	AAA3370	NCA	CHANNEL, outer, RH	1	
	AAA3371	NCA	CHANNEL, outer, LH	1	
94	AAA3372	NCA	CAPPING, RH	1	
	AAA3373	NCA	CAPPING, LH	1	
95	AAA3498	NCA	SCREW	1	
96	AAA3497	NCA	SCREW	1	
97	AJD4450Z	NCA	SCREW	1	
98	AAA3375	NCA	BRACKET, front, RH	1	
	181384	NCA	BRACKET, front, LH	1	
99	AJD8104	£0.56	NUT, 1/4" BSF	4	
100	GHF321	£0.24	WASHER, shake-proof	4	
101	AAA1605	NCA	SEAL, rubber, upper	2	
102	AJD4244C	£1.12	SCREW	4	
103	AAA3374	NCA	BRACKET, corner, rear	2	
104	AAA3369	NCA	CHANNEL, vertical, rear	2	
105	AJD6153Z	£1.36	BOLT, 1/4" BSF	2	
106	GHF300	£0.24	WASHER, plain	4	
107	AAA3248	NCA	SEAL, rubber, RH	1	
	AAA3249	NCA	SEAL, rubber, LH	1	
108	AAA3196	NCA	CHANNEL, regulator, RH	1	
	AAA3197	NCA	CHANNEL, regulator, LH	1	
110	AJD4244C	£1.12	SCREW	4	
111	AAA1583	£5.00	WEATHERSTRIP, door glass	4	
112	BCA4847	£0.50	CLIP, weatherstrip	24	12 per door
113	AAA3355M	NCA	DOOR CHANNEL SEAL KIT, 3 piece	2	
114	AAA3400	NCA	SCREW	2	
115	AAA3376	NCA	BRACKET, upper, rear	2	
116	ARA724	NCA	BRACKET, upper, front	2	
117	ARA738	NCA	SCREW	2	
118	AAA3365	NCA	CHANNEL, vertical, front, RH	1	
	AAA3366	NCA	CHANNEL, vertical, front, LH	1	
119	AAA3746	NCA	RIVET	4	
120	AAA1634	NCA	BOLT	2	
121	AJD7372	NCA	WASHER	2	
122	AAA1606	NCA	CHANNEL, rubber, lower	2	
123	ARA759	NCA	CAPPING, outer, rear channel, LH	2	
	ARA760	NCA	CAPPING, outer, rear channel, RH	2	
124	AAA3646	NCA	WEATHERSTRIP, frame to door	2	
125	AAA3367	NCA	CHANNEL, lower, RH	1	
	AAA3368	NCA	CHANNEL, lower, LH	1	

Window Regulators: Front Doors

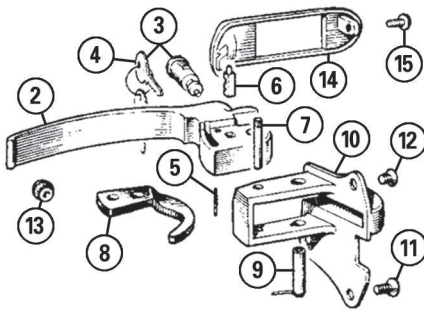
140	ADA1450	NCA	REGULATOR, window, front, LH	1	
	ADA900	NCA	REGULATOR, window, front, RH	1	
141	ADH833	NCA	HANDLE, window winder	2	
142	AAA1649	NCA	SCREW, handle	2	
143	WL700101	£0.28	WASHER, spring	2	
144	ADH658	NCA	WASHER, fibre	2	
145	AJD6155Z	£0.95	SCREW, regulator to door	8	
146	GHF331	£0.42	WASHER, Spring	8	

Window Regulators: Rear Door

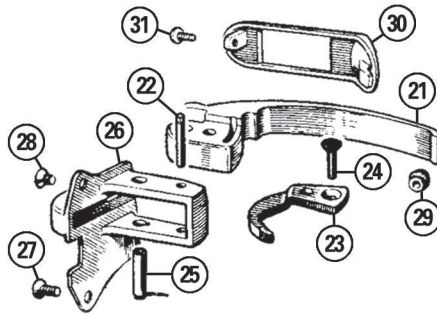
150	ADA1455	NCA	REGULATOR, window, rear, LH	1	
	ADA1456	NCA	REGULATOR, window, rear, RH	1	
151	ADH833	NCA	HANDLE, window winder	2	
152	AAA1649	NCA	SCREW, handle	2	
153	WL700101	£0.28	WASHER, spring	2	
154	ADH658	NCA	WASHER, fibre	2	
155	AJD6155Z	£0.95	SCREW, regulator to door	8	
156	GHF331	£0.42	WASHER, spring	8	

Lower Door Seals

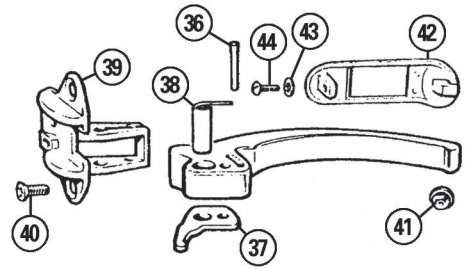
160	AAA1594	NCA	SEAL, front door	2	} 2 door, Convertible & Traveller
161	AAA3207	NCA	SEAL, draught excluder, front door	2	
162	AAA1597	NCA	RETAINER, draught excluder, front door	2	
163	AAA2486	£0.64	CLIP	12	} 4 door only
165	AAA1595	NCA	SEAL, rear door	2	
166	AAA3208	NCA	SEAL, draught excluder, rear door	2	
167	AAA1598	NCA	RETAINER, draught excluder, rear door	2	
168	AAA2486	£0.64	CLIP	12	



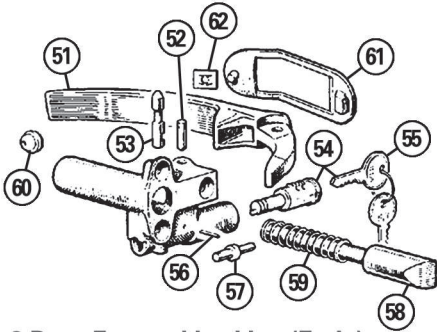
4 Door External Locking



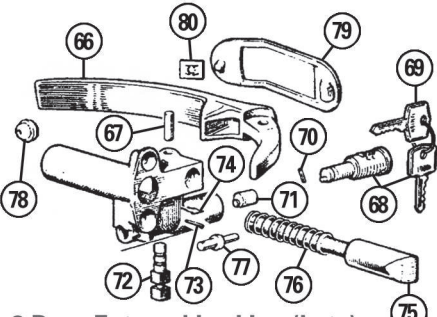
4 Door Internal Locking



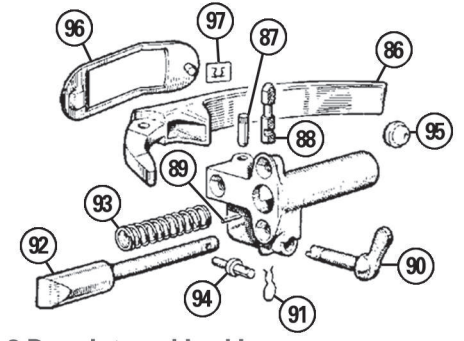
4 Door Rear



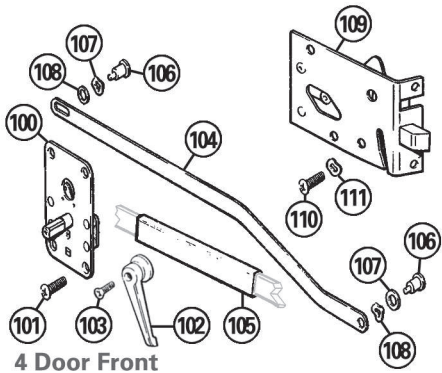
2 Door External Locking (Early)



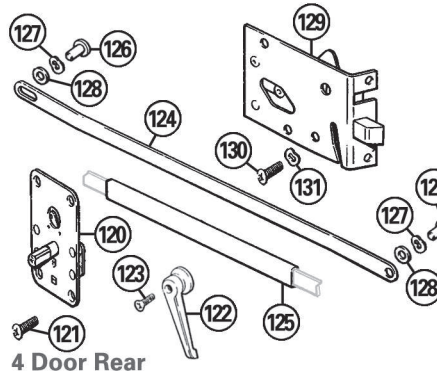
2 Door External Locking (Late)



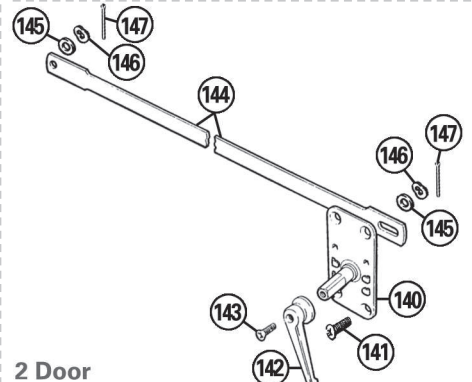
2 Door Internal Locking



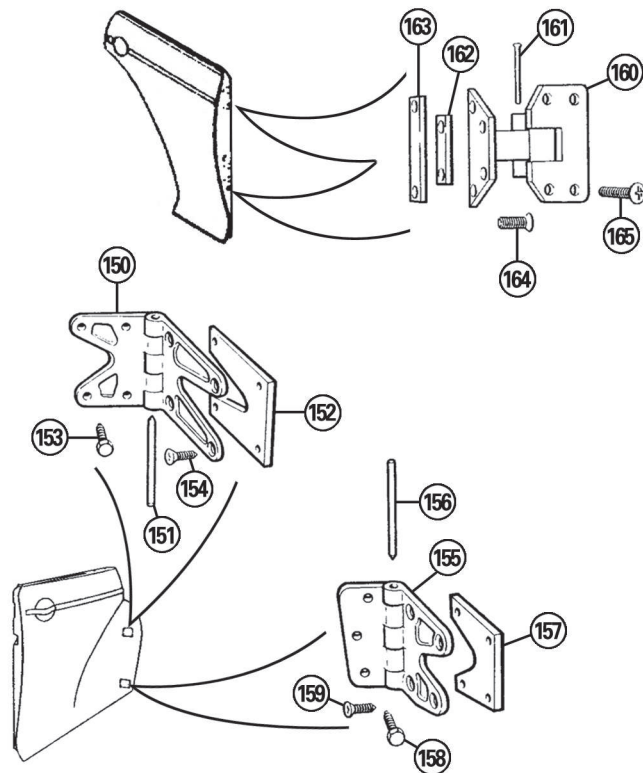
4 Door Front



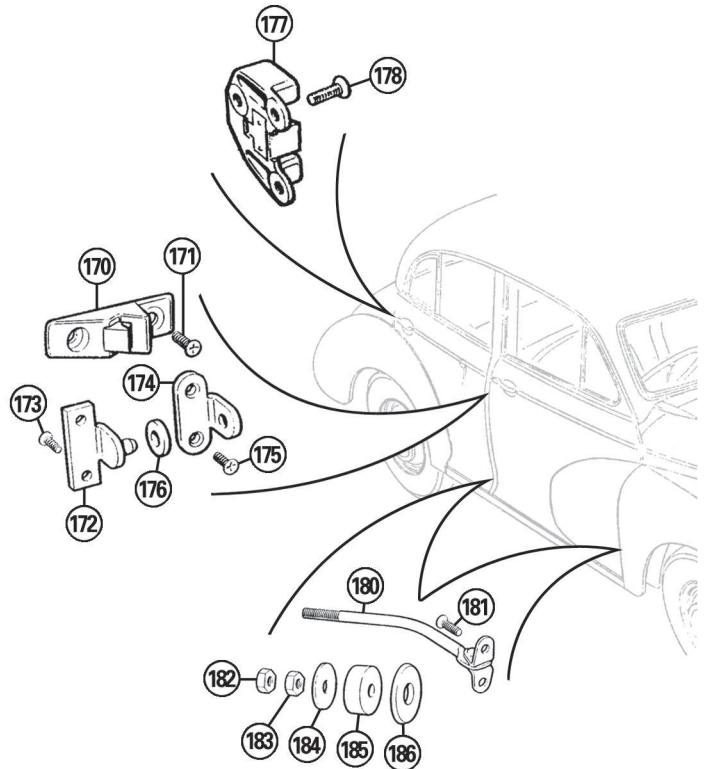
4 Door Rear



2 Door



Hinges



Catches & Checkstraps

ill. Part Number Price Eea. Description Req. Details

Door Handles & Locks

4 Door Models

Front Doors: 4 Door - External Locking Handle

AAA3173	NCA	HANDLE ASSY., outer, locking, RH	1	
ADA4209	£66.80	HANDLE ASSY., outer, locking, LH	1	from (c) 1039597
2 17H9349	NCA	PULL HANDLE, locking	1	
3 ADH4492	£43.60	LOCK BARREL, with key	1	

Note: See information regarding lock sets on page 93.

4 17H2475	£2.90	KEY, blank	a/r	
KEY/FS	NCA	KEY, 'FS' numbered	a/r	

Note: Please specify your locks 'FS' number when ordering.

5 AAA3341	NCA	PIN, lock retainer	1	
6 AAA3340	NCA	BOLT, locking	1	
7 AAA3233	NCA	PIN, pull lever stop	2	
8 AAA3234	NCA	LEVER, operating, RH	1	
AAA3235	NCA	LEVER, operating, LH	1	
9 AAA3339	NCA	SPRING & BARREL, RH	1	
AAA3342	NCA	SPRING & BARREL, LH	1	
10 AAA3170	NCA	DOVETAIL, RH	1	
AAA3171	NCA	DOVETAIL, LH	1	
11 AJD4445ZP	NCA	SCREW, handle to door, long	2	
12 AAA1652	NCA	SCREW, handle to door, short	1	
13 ADA803	£1.60	BUFFER	2	
14 AAA3664	£18.70	ESCUTCHEON, door handle, RH	1	
AAA3665	£18.70	ESCUTCHEON, door handle, LH	1	
15 AJD1244Z	£0.59	SCREW	1	

Front Doors: 4 Door - Non-External Locking Handle

AAA3172	NCA	HANDLE ASSEMBLY, outer, LH	1	non-locking
ADA4210	£107.50	HANDLE ASSEMBLY, outer, RH	1	non-locking, from (c) 1039597

21 17H9352	NCA	PULL HANDLE, non-locking	1	
22 AAA3233	NCA	PIN, pull handle stop	1	
23 AAA3234	NCA	LEVER, operating, RH	1	
AAA3235	NCA	LEVER, operating, LH	1	
24 17H9354	NCA	PIN, operating lever	1	
25 AAA3339	NCA	SPRING & BARREL, RH	1	
AAA3342	NCA	SPRING & BARREL, LH	1	
26 AAA3170	NCA	DOVETAIL, RH	1	
AAA3171	NCA	DOVETAIL, LH	1	
27 AJD4445ZP	NCA	SCREW, handle to door, long	2	
28 AAA1652	NCA	SCREW, handle to door, short	1	
29 ADA803	£1.60	BUFFER	2	
30 AAA3664	£18.70	ESCUTCHEON, door handle, RH	1	
AAA3665	£18.70	ESCUTCHEON, door handle, LH	1	
31 AJD1244Z	£0.59	SCREW	1	

Rear Doors: 4 Door

35 AAA1615	NCA	HANDLE ASSEMBLY, outer, rear, RH	1	
AAA1616	NCA	HANDLE ASSEMBLY, outer, rear, LH	1	
36 AAA3233	NCA	PIN, handle lever stop	2	
37 AAA3344	NCA	LEVER, operating, RH	1	
AAA3343	NCA	LEVER, operating, LH	1	
38 AAA3339	NCA	SPRING & BARREL, RH	1	
AAA3342	NCA	SPRING & BARREL, LH	1	
39 AAA1592	NCA	DOVETAIL, RH	1	
AAA1591	NCA	DOVETAIL, LH	1	
40 AJD4445Z	NCA	SCREW, lock to door	4	
41 ADA803	£1.60	BUFFER	2	
42 AAA3666	£18.70	ESCUTCHEON, door handle, RH	1	
AAA3667	£18.70	ESCUTCHEON, door handle, LH	1	
43 AJD7372	NCA	WASHER, plain	2	
44 AJD1244Z	£0.59	SCREW, escutcheon	2	

2 Door Models

Front Doors: 2 Door Saloon, Tourer & Traveller Models - External Locking (to (c) 1039563)

ADA1571	NCA	HANDLE ASSEMBLY, outer, locking	1	RH
51 AAA3176	£20.34	PULL HANDLE, RH	1	
52 AAA1459	NCA	PIN, handle pivot	1	
53 AAA2203	NCA	PLUNGER, lock	1	
54 AAA1480	NCA	LOCK BARREL, exterior lock, with key	1	

Note: See information regarding lock sets on page 93.

55 17H2475	£2.90	KEY, blank	a/r	
KEY/FS	NCA	KEY, 'FS' numbered	a/r	

Note: Please specify your locks 'FS' number when ordering.

56 AAA3147	NCA	PIN, barrel retaining	1	
57 AAA1458	NCA	PIN, remote control link	1	
58 AAA1457	NCA	BOLT	1	

ill. Part Number Price Eea. Description Req. Details

59 AAA1539	NCA	SPRING, bolt	1	
60 ADA803	£1.60	BUFFER	2	
61 AAA3178	£10.80	ESCUTCHEON	2	
62 PFS106	£0.32	SPIRE CLIP	2	

Front Doors: 2 Door Saloon, Tourer & Traveller Models - External Locking (from (c) 1039564)

ADA4212	NCA	HANDLE ASSEMBLY, outer, locking	1	RH
ADA4213	NCA	HANDLE ASSEMBLY, outer, locking	1	LH
66 AAA3176	£20.34	PULL HANDLE, RH	1	
AAA3177	£20.34	PULL HANDLE, LH	1	
67 AAA1459	NCA	PIN, handle pivot	1	
68 AAA1480	NCA	LOCK BARREL, exterior lock, with key	1	

Note: See information regarding lock sets on page 93.

69 17H2475	£2.90	KEY, blank	a/r	
KEY/FS	NCA	KEY, 'FS' numbered	a/r	

Note: Please specify your locks 'FS' number when ordering.

70 27H2219	NCA	PIN, barrel	1	
71 27H2222	NCA	ACTUATOR, lock barrel	1	
72 27H2224	NCA	PLUNGER, lock	1	
73 AAA4737	NCA	PEG, barrel locating	1	
74 27H2223	NCA	CLIP, spring	1	
75 22H2217	NCA	BOLT	1	
76 27H2220	NCA	SPRING, bolt	1	
77 27H2221	NCA	PIN, remote control link	1	
78 ADA803	£1.60	BUFFER	2	
79 AAA3178	£10.80	ESCUTCHEON	2	
80 PFS106	£0.32	SPIRE CLIP	2	

Front Doors: 2 Door Saloon, Tourer & Traveller Models - Internal Locking Only

ADA1572	NCA	HANDLE ASSEMBLY, outer, LH	1	
86 AAA3177	£20.34	PULL HANDLE, LH	1	
87 AAA1459	NCA	PIN, handle pivot	2	
88 AAA2203	NCA	PLUNGER, lock	2	
89 AAA3147	NCA	PIN, plunger retaining	1	
90 AAA1449	NCA	LATCH, internal lock	1	
ADA4214	£10.20	LATCH, internal lock, LH door, RHD	1	from (c) 1039564
ADA4215	NCA	LATCH, internal lock, RH door, LHD	1	
91 AAA1450	NCA	CLIP, latch retaining	1	
92 AAA1457	NCA	BOLT	1	
93 AAA1539	NCA	SPRING, bolt	2	
94 AAA1458	NCA	PIN, remote control link	2	
95 ADA803	£1.60	BUFFER	2	
96 AAA3178	£10.80	ESCUTCHEON	2	
97 PFS106	£0.32	SPIRE CLIP	2	

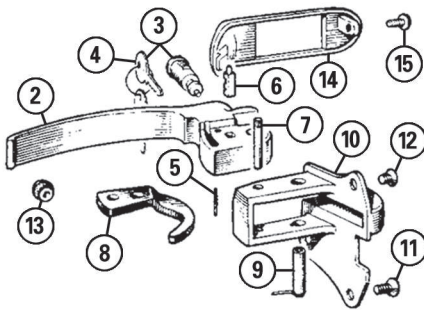
Door Lock Linkages

4 Door Models: Front Doors

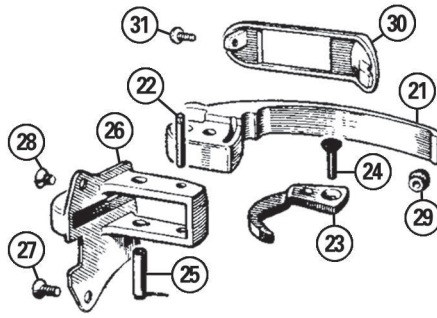
100 AAA3237	NCA	REMOTE CONTROL, RH	1	
AAA3264	NCA	REMOTE CONTROL, LH	1	
101 AJD4244C	£1.12	SCREW, remote control to door	8	
102 ADH656	NCA	HANDLE, door release	2	
103 AAA2006	NCA	SCREW	2	
104 AAA3265	NCA	LINK	2	
105 AAA3523	NCA	SLEEVE, anti rattle	2	
106 ALH1878	NCA	RIVET, link to remote & lock	2	
107 AAA2072	NCA	WASHER, wavy	4	
108 2K9048	NCA	WASHER, plain	4	
109 AAA3263	NCA	LOCK ASSEMBLY, RH	1	
AAA3239	NCA	LOCK ASSEMBLY, LH	1	
110 AJD1442Z	NCA	SCREW, lock to door	8	
111 GHF331	£0.42	WASHER, spring	8	

4 Door Models: Rear Doors

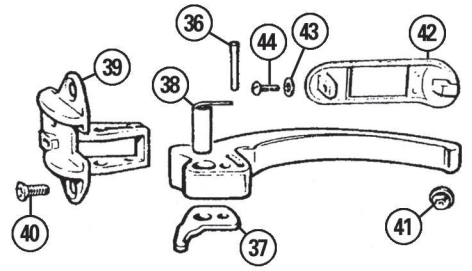
120 AAA3237	NCA	REMOTE CONTROL, RH	1	
AAA3264	NCA	REMOTE CONTROL, LH	1	
121 AJD4244C	£1.12	SCREW, remote control to door	8	
122 ADH656	NCA	HANDLE, door release	2	
123 AAA2006	NCA	SCREW	2	
124 AAA3266	NCA	LINK	2	
125 AAA3266	NCA	SLEEVE, anti rattle	2	
126 ALH1878	NCA	RIVET, link to remote & lock	2	
127 AAA2072	NCA	WASHER, wavy	4	
128 2K9048	NCA	WASHER, plain	4	
129 AAA3238	NCA	LOCK ASSEMBLY, RH	1	
AAA3239	NCA	LOCK ASSEMBLY, LH	1	



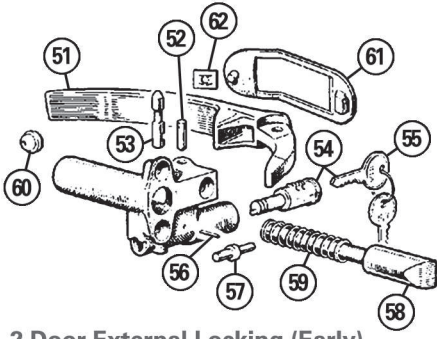
4 Door External Locking



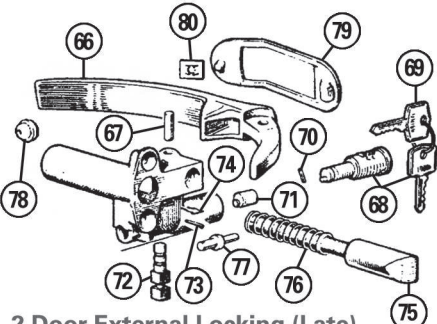
4 Door Internal Locking



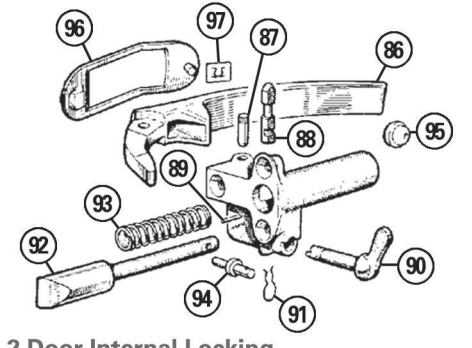
4 Door Rear



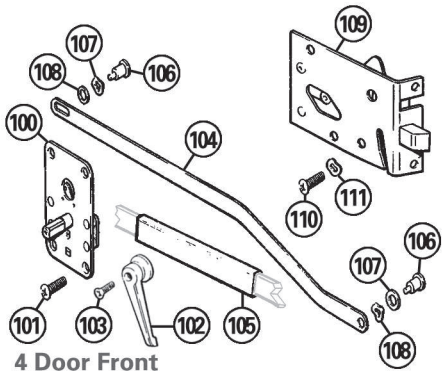
2 Door External Locking (Early)



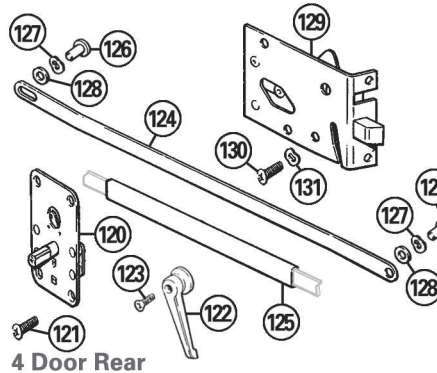
2 Door External Locking (Late)



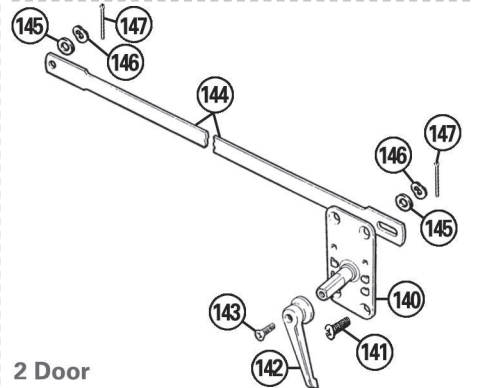
2 Door Internal Locking



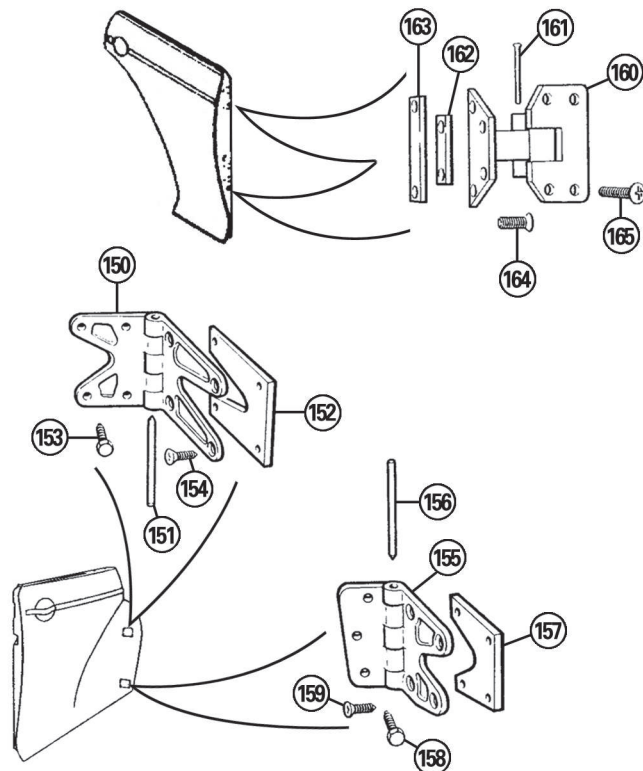
4 Door Front



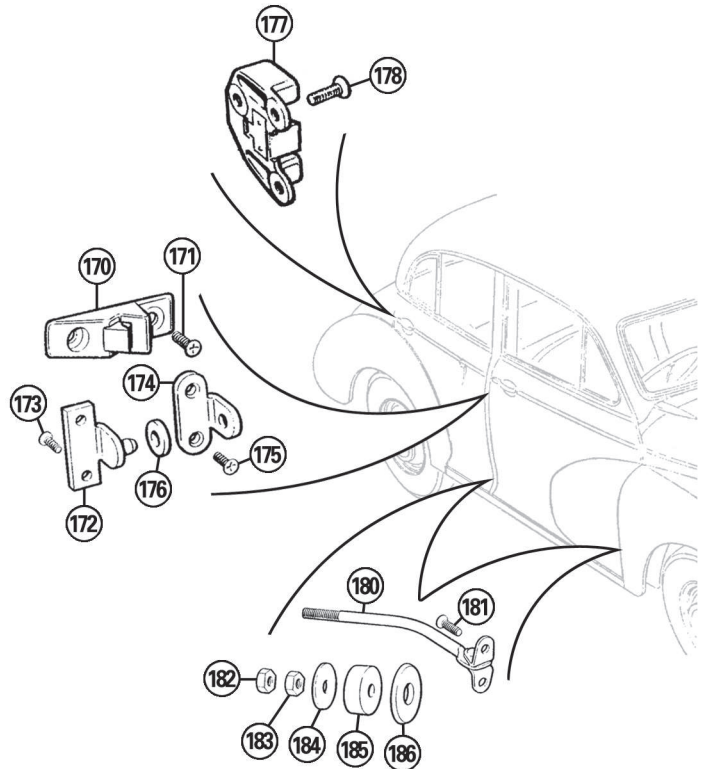
4 Door Rear



2 Door



Hinges



Catches & Checkstraps

ill. Part Number Price Eea. Description Req. Details

Door Handles & Locks (Continued)

Door Lock Linkages

4 Door Models: Rear Doors

130	AJD1442Z	NCA	SCREW, lock to door	8
131	GHF331	£0.42	WASHER, spring	8

2 Door Models: Front Doors - Saloon, Tourer, & Traveller

140	AAA1433	NCA	REMOTE CONTROL, RH	1
	AAA1434	NCA	REMOTE CONTROL, LH	1
141	AJD4244C	£1.12	SCREW, remote control to door	8
142	ADH656	NCA	HANDLE, door release	2
143	AAA2006	NCA	SCREW	2
144	AAA2007	NCA	LINK	2
145	AAA1514	NCA	WASHER, spring	4
146	PWZ103	£0.24	WASHER, plain	4
147	GHF501	£0.50	SPLIT PIN	4

Door Hinges

Front Doors

150	APA707R	NCA	HINGE, upper, RH	1
	APA708R	NCA	HINGE, upper, LH	1
	ALA2728R	NCA	HINGE, upper, RH, recon./exchange	1
	ALA2729R	NCA	HINGE, upper, LH, recon./exchange	1
151	AAA3577	£3.50	PIN, hinge, standard	2
	AAA3577OS	£4.20	PIN, hinge, oversize	a/r
152	AAA1495	NCA	NUT PLATE, upper	2
153	AJD4547ZP	£1.84	SCREW, hinge to door	8
154	AAA1498	£2.15	BOLT, hinge to pillar	7
155	APA709R	NCA	HINGE, lower, RH	1
	APA710R	NCA	HINGE, lower, LH	1
	ALA2726R	NCA	HINGE, lower, RH, recon./exchange	1
	ALA2727R	NCA	HINGE, lower, LH, recon./exchange	1
156	AAA3577	£3.50	PIN, hinge, standard	2
	AAA3577OS	£4.20	PIN, hinge, oversize	a/r
157	AAA1496	NCA	NUT PLATE, lower	2
158	AJD4547ZP	£1.84	SCREW, hinge to door	8
159	AAA1498	£2.15	BOLT, hinge to pillar	7

Rear Doors

160	AAA3346R	NCA	HINGE, upper & lower	4
161	AAA4674	£6.70	PIN, hinge	4
162	AAA1574	NCA	NUT PLATE, short	4
163	AAA1573	NCA	NUT PLATE, long	4
164	AJD4547ZP	£1.84	SCREW, hinge to door	16
165	AAA1640	NCA	BOLT, hinge to pillar, upper	8
	AAA1498	£2.15	BOLT, hinge to pillar, lower	8

Lock Strikers & Check Straps

Front Door Lock Strikers

170	AAA3337	£12.50	PLATE, striker	2
171	AJD4245Z	£0.50	SCREW	12
172	AAA1138	NCA	PLATE, pin	2
173	AAA1648	NCA	SCREW, plate to door	4
174	AAA1131	£14.80	PLATE, socket	2
175	AJD4245C	NCA	SCREW, socket to door	4
176	ADA2618	£0.82	WASHER, rubber	2

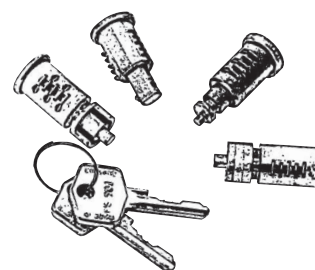
Rear Door Lock Strikers

177	AAA1578	NCA	PLATE, striker, RH	1
	AAA1579	NCA	PLATE, striker, LH	1
178	AJD4445ZP	NCA	SCREW	6

Check Straps

180	ADA3620	NCA	ARM, check strap, front, RH	1
	ADA3621	NCA	ARM, check strap, front, LH	1
	AAA1575	NCA	ARM, check strap, rear	2
181	AJD4445Z	NCA	SCREW, arm to body	4/8
182	AJD8205Z	£0.56	LOCK NUT	2/4
183	AJD8105Z	£0.34	NUT	2/4
184	PWZ205	£0.34	WASHER, plain	2/4
185	AAA1528	£1.56	BUFFER	2/4
186	ADA834	£1.48	GROMMET, front	2
	AAA1572	NCA	GROMMET, rear	2

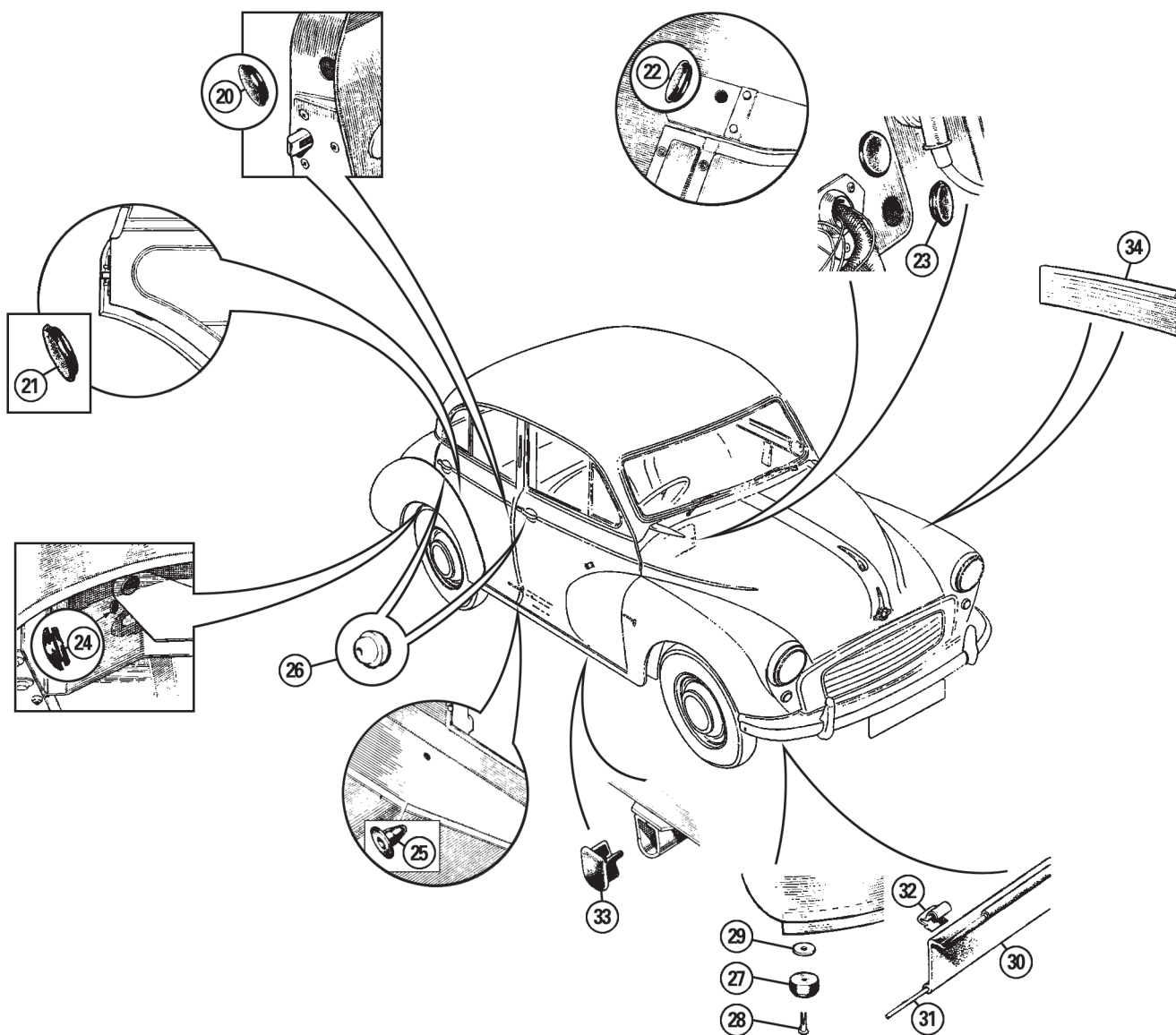
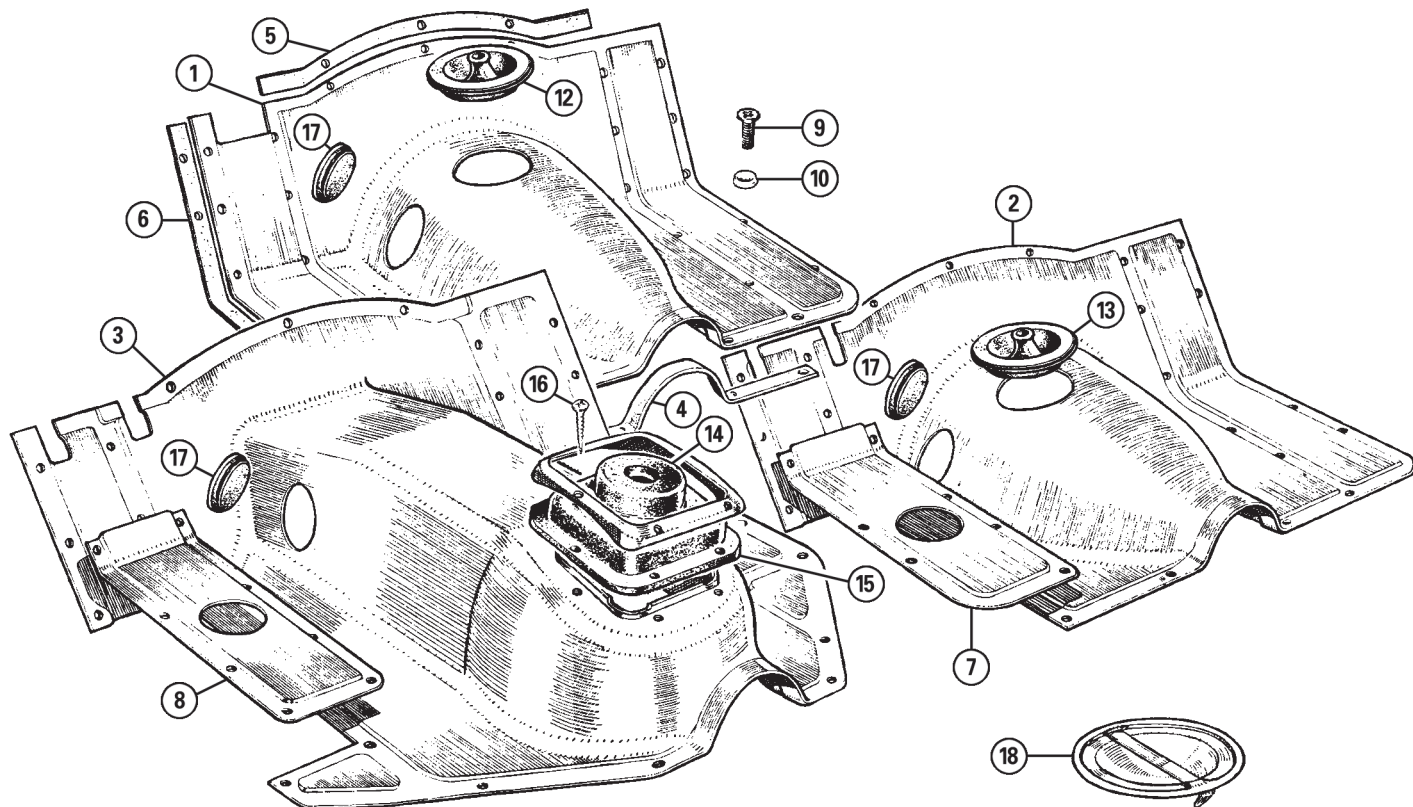
ill. Part Number Price Eea. Description Req. Details



Lock Sets

We offer complete car sets of door locks. The sets are based on 1098cc models, with locks on both front doors. Currently available for 2 & 4 door Saloon, Van & Pickup models as detailed below:

MM2DLS	NCA	LOCK SET, complete	1	2 door Saloon
		(Inc: Front door, boot lid & ignition barrels with 2 matching keys).		
MM4DLS	NCA	LOCK SET, complete	1	4 door Saloon
		(Inc: Front door, boot lid & ignition barrels with 2 matching keys).		
MMVDLS	NCA	LOCK SET, complete	1	Van & Pickup
		(Inc: Front door, Van rear door & ignition barrels with 2 matching keys).		



iii. Part Number Price Eea. Description Req. Details

Gearbox Cover, Plugs & Grommets and Wing Piping

Gearbox Covers & Fittings

1	AAA4792	NCA	COVER, gearbox, RHD	1] to (c) 433612
	AAA4793	NCA	COVER, gearbox, LHD	1	
2	ALA834	NCA	COVER, gearbox, RHD	1] from (c) 433613
	ALA835	NCA	COVER, gearbox, LHD	1	
3	ALA1860	NCA	COVER, gearbox, RHD	1] from (c) 448801
	ALA1861	NCA	COVER, gearbox, LHD	1	
4	182781	NCA	SEAL, rubber, cover rear	1	
5	182780	NCA	SEAL, rubber, cover top	1	
6	182782	NCA	SEAL, rubber, cover sides	2	
7	ALA832	NCA	COVER, master cylinder, RHD	1] from (c) 433613
	ALA833	NCA	COVER, master cylinder, LHD	1	
8	ALA1868	NCA	COVER, master cylinder	1	from (c) 448801
9	AJD2446B	£1.30	SCREW, 1/4" BSF, brass (Gearbox cover).	19	short
	AJD2448B	£1.70	SCREW, 1/4" BSF, brass (Gearbox cover).	12	long
10	ACA5374	£0.54	WASHER, cup	31	
12	133343	NCA	GAITER, gear lever	1	918cc
13	ACA5208	£4.20	GAITER, gear lever	1	from (c) 160001
14	ACA8147	£7.70	GAITER, gear lever	1	from (c) 448801
15	ALA1888	NCA	RETAINER, gaiter	1	
16	GHF424	£0.24	SCREW	6	
17	ACA5300	£3.80	GROMMET, gearbox oil filler	1	
18	129983	NCA	COVER, axle oil filler	1] to (c) 228266] except Traveller

Grommets, Plugs & Buffers

20	AAA1781	NCA	PLUG, front door	6	2 door & Tourer
21	ADF511	NCA	PLUG, rear door	4	
22	ACA5329	NCA	PLUG, steering rack grease	1	
23	ADF511	NCA	PLUG, water pipe hole	2	when heater not fitted
24	133540	NCA	PLUG, wheel arch	2	Traveller
25	ADA2493	£0.50	PLUG, sill member	8	from (c) 445369
26	2H8041	£1.14	BUFFER, exterior door handles	2/4	
27	134990	NCA	BUFFER, wing to valance	2	
28	BRP1110	NCA	RIVET	2	
29	AJD7112	NCA	WASHER	2	
30	ADA1596	NCA	FLAP, lower valance, RH	1] to (c) 448714
	ADA1597	NCA	FLAP, lower valance, LH	1	
31	ADA1605	NCA	WIRE INSERT, flap	4	
32	ADA2657	NCA	CLIP, lower valance	6/8	increased at (c) 291140
33	ACA5328	£1.99	PLUG, jacking bracket	2	from (c) 448801

Wing Piping

Note: Wing piping ceased on front wings from Saloon & Tourer (c) 307869 & Traveller (c) 305719.
The piping is supplied per metre.

34	17H8368M	NCA	WING PIPING, Almond Green	a/r
	17H8369M	NCA	WING PIPING, Black	a/r
	47H9596M	NCA	WING PIPING, Clarendon Grey	a/r
	47H9592M	NCA	WING PIPING, Clipper Blue	a/r
	47H9595M	NCA	WING PIPING, Cream	a/r
	47H9586M	NCA	WING PIPING, Dove Grey	a/r
	AAA3971M	NCA	WING PIPING, Empire Green	a/r
	47H9593M	NCA	WING PIPING, Frilford Grey	a/r
	47H9584M	NCA	WING PIPING, Highway Yellow	a/r
	ADE9615M	NCA	WING PIPING, Lilac	a/r
	37H2727M	NCA	WING PIPING, Maroon 'B'	a/r
	17H8370M	NCA	WING PIPING, Old English White	a/r
	47H9591M	NCA	WING PIPING, Pearl Grey	a/r
	37H2726M	NCA	WING PIPING, Peat	a/r
	47H9589M	NCA	WING PIPING, Porcelain Green	a/r
	17H8372M	NCA	WING PIPING, Rose Taupe	a/r
	47H9599M	NCA	WING PIPING, Sage Green	a/r
	17H8371M	NCA	WING PIPING, Smoke Grey	a/r
	37H2728M	NCA	WING PIPING, Snowberry White	a/r
	17H9180M	NCA	WING PIPING, Trafalgar Blue	a/r
	47H9597M	NCA	WING PIPING, Turquoise	a/r
	47H9588M	NCA	WING PIPING, Yukon Grey	a/r
	47H9598M	NCA	WING PIPING, Dark Green	a/r
	47H9594M	NCA	WING PIPING, Birch Grey	a/r
	ADA1704M	NCA	WING PIPING, Sandy Beige	a/r

Bolts and Set Screws

3/16" UNF

Hexagon Headed 3/8" A.F. Spanner Size

Bolt	Length	Set Screw
	3/8"	HU503
	1/2"	HU504
	5/8"	HU505
	3/4"	HU506
	7/8"	HU507
	1"	HU508

1/4" UNF

Hexagon Headed 7/16" A.F. Spanner Size

Bolt	Length	Set Screw
	3/8"	SH604031
	1/2"	SH604041
	5/8"	SH604051
	3/4"	SH604061
	7/8"	SH604071
BH604081	1"	SH604081
BH604091	1 1/8"	SH604091
BH604101	1 1/4"	SH604101
BH604111	1 3/8"	SH604111
BH604121	1 1/2"	SH604121
BH604141	1 3/4"	SH604141
BH604161	2"	SH604161
BH604181	2 1/4"	
BH604201	2 1/2"	
BH604241	3"	

5/16" UNF

Hexagon Headed 1/2" A.F. Spanner Size

Bolt	Length	Set Screw
	3/8"	SH605031
	1/2"	SH605041
	5/8"	SH605051
	3/4"	SH605061
	7/8"	SH605071
	1"	SH605081
BH605091	1 1/8"	SH605091
BH605101	1 1/4"	SH605101
BH605111	1 3/8"	SH605111
BH605121	1 1/2"	SH605121
BH605141	1 3/4"	SH605141
BH605151	1 7/8"	SH605151
BH605161	2"	SH605161
BH605181	2 1/4"	SH605181
BH605201	2 1/2"	SH605201
BH605221	2 3/4"	SH605221
BH605241	3"	SH605241

3/8" UNF

Hexagon Headed 9/16" A.F. Spanner Size

Bolt	Length	Set Screw
	3/8"	SH606031
	1/2"	SH606041
	5/8"	SH606051
	3/4"	SH606061
	7/8"	SH606071
BH606081	1"	SH606081
BH606091	1 1/8"	SH606091
BH606101	1 1/4"	SH606101
BH606111	1 3/8"	SH606111
BH606121	1 1/2"	SH606121
BH606141	1 3/4"	SH606141
BH606161	2"	SH606161
BH606181	2 1/4"	SH606181
BH606201	2 1/2"	SH606201
BH606221	2 3/4"	
BH606241	3"	
BH606281	3 1/2"	
BH606321	4"	

7/16" UNF

Hexagon Headed 5/8" A.F. Spanner Size

Bolt	Length	Set Screw
	5/8"	SH607051
	3/4"	SH607061
	7/8"	SH607071
	1"	SH607081
	1 1/8"	SH607091
	1 1/4"	SH607101
	1 3/8"	SH607111
	1 1/2"	SH607121
BH607141	1 3/4"	SH607141
BH607161	2"	SH607161
BH607181	2 1/4"	SH607181
BH607201	2 1/2"	
BH607241	3"	

1/2" UNF

Hexagon Headed 3/4" A.F. Spanner Size

Bolt	Length	Set Screw
	1/2"	SH608041
	5/8"	SH608051
	1"	SH608081
	1 1/2"	SH608121
BH608141	1 3/4"	SH608141
BH608161	2"	
BH608181	2 1/4"	
BH608201	2 1/2"	SH608201
BH608241	3"	

1/4" UNC

Hexagon Headed 7/16" A.F. Spanner Size

Bolt	Length	Set Screw
	3/8"	SH504031
	1/2"	SH504041
	5/8"	SH504051
	3/4"	SH504061
	7/8"	SH504071
	1"	SH504081
BH504091	1 1/8"	SH504091
	1 1/4"	SH504101
BH504111	1 3/8"	SH504111
BH504121	1 1/2"	SH504121
BH504141	1 3/4"	SH504141
BH504161	2"	
BH504181	2 1/4"	SH504181
BH504201	2 1/2"	

5/16" UNC

Hexagon Headed 1/2" A.F. Spanner Size

Bolt	Length	Set Screw
	3/8"	SH505031
	1/2"	SH505041
	5/8"	SH505051
	3/4"	SH505061
	7/8"	SH505071
	1"	SH505081
	1 1/8"	SH505091
BH505101	1 1/4"	SH505101
BH505111	1 3/8"	SH505111
BH505121	1 1/2"	SH505121
BH505141	1 3/4"	SH505141
BH505161	2"	
BH505181	2 1/4"	
BH505201	2 1/2"	SH505201
BH505241	3"	

3/8" UNC

Hexagon Headed 9/16" A.F. Spanner Size

Bolt	Length	Set Screw
	1/2"	SH506041
	3/4"	SH506061
	7/8"	SH506071
BH506081	1"	SH506081
	1 1/8"	SH506091
	1 1/4"	SH506101
BH506111	1 3/8"	SH506111
BH506121	1 1/2"	SH506121
BH506141	1 3/4"	
BH506161	2"	SH506161
BH506181	2 1/4"	
BH506201	2 1/2"	
BH506241	3"	SH506241

Screws

Self Tapping Screws

Pan Headed	Size	Length	Countersunk Headed
AB604021	No. 4	1/4"	AC604021
AB606021	No. 6	1/4"	
AB606031	No. 6	3/8"	
AB606041	No. 6	1/2"	AC606041
AB606061	No. 6	3/4"	AC606061
AB606081	No. 6	1"	AC606081
AB608041	No. 8	1/2"	AC608041
AB608061	No. 8	3/4"	AC608061
AB608081	No. 8	1"	
AB610041	No. 10	1/2"	AC610041
AB610061	No. 10	3/4"	AC610061
AB610081	No. 10	1"	AC610081
AB612041	No. 12	1/2"	AC612041
AB612061	No. 12	3/4"	
AB612081	No. 12	1"	AC612081
AB614061	No. 14	3/4"	AC614061
AB614081	No. 14	1"	AC614081

B

C = Pan Head
 = Countersunk Head
 1st digit = thread type (coarse or fine)
 2nd/3rd digit = diameter
 4th/5th = length in 1/8" increments
 6th = finish (1 = zinc plated)

Screws (Cross Slot)

Pan Headed	Size	Length	Countersunk Headed
PMZ204	No.6 UNC	1/4"	CMZ204
PMZ208	No.6 UNC	1/2"	CMZ208
PMZ304	No.10 UNF	1/4"	CMZ304
PMZ305	No.10 UNF	5/16"	CMZ305
PMZ306	No.10 UNF	3/8"	CMZ306
PMZ307	No.10 UNF	7/16"	CMZ307
PMZ308	No.10 UNF	1/2"	CMZ308
PMZ310	No.10 UNF	5/8"	CMZ310
PMZ312	No.10 UNF	3/4"	CMZ312
PMZ314	No.10 UNF	7/8"	
PMZ316	No.10 UNF	1"	CMZ316
SE604041	1/4" UNF	1/2"	SF604041
SE604051	1/4" UNF	5/8"	SF604051
SE604061	1/4" UNF	3/4"	SF604061
SE604071	1/4" UNF	7/8"	SF604071
SE604081	1/4" UNF	1"	SF604081
SE604121	1/4" UNF	1 1/2"	SF604121
	1/4" UNF	1 3/4"	CMZ428
SE605061	5/16" UNF	3/4"	SF605061
SE605081	5/16" UNF	1"	SF605081

Nuts

Plain Nuts

Full Nut	Thread	Spanner Size	Half Nut
HN2003	No. 6 UNF	5/16"	
HN2005	3/16" UNF	3/8"	
GHF206	3/16" UNF	5/16"	
HN2007	1/4" UNF	7/16"	NJ2107
HN2008	5/16" UNF	1/2"	JN2108
HN2009	3/8" UNF	9/16"	JN2109
HN2010	7/16" UNF	5/8"	JN2110
HN2011	1/2" UNF	3/4"	JN2111
HN2012	9/16" UNF	7/8"	JN2112
HN2013	5/8" UNF	15/16"	JN2113
HN2057	1/4" UNC	7/16"	JN2157
HN2058	5/16" UNC	1/2"	JN2158
HN2059	3/8" UNC	9/16"	JN2159

Nyloc Self Locking Nuts

Full Nut	Thread	Spanner Size	Half Nut
YN2905	3/16" UNF	5/16"	
YN2907	1/4" UNF	7/16"	GHF271
YN2908	5/16" UNF	1/2"	TN3208
YN2909	3/8" UNF	9/16"	TN3209
YN2910	7/16" UNF	5/8"	TN3210
YN2911	1/2" UNF	3/4"	TN3211
YN2912	9/16" UNF	7/8"	TN3212
YN2913	5/8" UNF	15/16"	TN3213

Self Locking, 'Aero' or all metal, 'Phillidas' Nuts UNF

Full Nut	Thread	Spanner Size	Half Nut
AN3507	1/4" UNF	7/16"	
AN3508	5/16" UNF	1/2"	
AN3509	3/8" UNF	9/16"	
AN3510	7/16" UNF	5/8"	
AN3511	1/2" UNF	3/4"	

Slotted Nuts

Full Nut	Thread	Spanner Size	Half Nut
ND606041	3/8" UNF	9/16"	LN2209
ND607041	7/16" UNF	5/8"	NL607041
ND608041	1/2" UNF	3/4"	LN2211
ND609041	9/16" UNF	7/8"	LN2212
ND610041	5/8" UNF	15/16"	NL610041

Plain Brass - Manifold Nuts

Full Nut	Thread Size	Spanner Size
GHF261	5/16" UNF	1/2"
GHF262	3/8" UNF	9/16"
GHF270	5/16" UNC	1/2"
GHF269	3/8" UNC	9/16"

Spring/Spire Nuts

Flat Type	Screw Size	'U' Type
GHF700	No.6	GHF711
GHF701	No.8	GHF712
GHF702	No.10	GHF713
GHF703	No.12	GHF714
GHF704	No.14	

Captive Nuts

Captive nuts consist of a square nut & cage which we supply individually as required. Always match nut & cage A.F. sizes.

Part Number	Description	Thread Size
NQ2707	Nut, 7/16" AF	1/4"
NQ2708	Nut, 5/8" AF	5/16"
CN4	Nut, fits CN3 cage	1/4"
CN5	Nut, 1/2" AF	5/16"

Part Number	Description	Spanner (AF) Size
CN2	Cage, square	7/16"
CN3	Cage, oblong	7/16"
600032	Cage, square	1/2"

Washers

Shake-proof Washers

Internal Star	Hole Size	External Star
WF704061	No. 6	WE704061
WF702101	3/16"	WE702101
WF600041	1/4"	WE600041
WF600051	5/16"	WE600051
WF600061	3/8"	WE600061
WF600071	7/16"	WE600071
WF600081	1/2"	WE600081
WF600091	9/16"	WE600091
WF600101	5/8"	WE600101

Spring Type Locking Washers

Single Coil	Hole Size	Double Coil
WL700061	No.6	
WL700081	No.8	
WL700101	3/16"	AJD7721
GHF331	1/4"	AJD7722
GHF332	5/16"	AJD7731
GHF333	3/8"	AJD7742
GHF334	7/16"	
GHF335	1/2"	
GHF336	5/8"	

Plain Washers

Standard Type	Hole Size	Repair Type
GHF306	3/16"	WP5
GHF300	1/4"	WP120
GHF301	5/16"	WP105
GHF302	3/8"	WP130
GHF303	7/16"	WM69
GHF304	1/2"	
	9/16"	WP12
	5/8"	PWZ110

Sealing Washers

Fibre Washer	Hole Size	Copper Washer
WF505	3/16"	
GHF342	1/4"	GHF361
GHF343	5/16"	GHF362
GHF344	3/8"	GHF363
GHF345	7/16"	GHF364
GHF346	1/2"	GHF365
GHF347	9/16"	
GHF348	5/8"	

SEAT COVERS & TRIM PANELS

Part of the Minor's charm is its simplicity. Throughout production the Minor featured a smart but functional interior which has helped the Minor retain much of its charm.

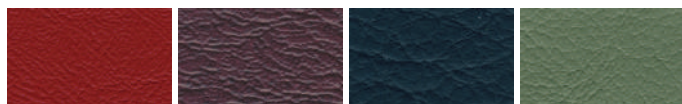
The interior trim went through a number of style changes throughout production, particularly between 1956 & 1964; these changes mainly occurred to the seat cover and trim panel designs.

We now stock the majority of interior trim panel designs for all Minor models from 1949-1971, available in leather or vinyl. Please see pages A28-A40 in the accessories section of this catalogue for our full range of Morris Minor seat covers, trim, headlinings, sun visors, fittings, parcel trays & gloveboxes. Series MM and series II trim are only made to special order; please contact us for more information.

Seat covers & trim colours



Autumn leaf Black Blue grey Biscuit



Cherokee red Maroon Navy blue Porcelain green

Please note: Colours may vary slightly to samples shown here, due to the limitations of the colour printing press, and should be used as a guide only.

CARPET SETS

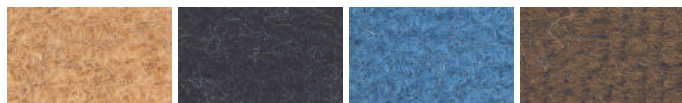
We offer a range of carpets to suit the various models of the Minor, from the early MM series to the Van & Pick-up models.

Series MM & Series II are manufactured to the original design with stitched contour pieces over the tunnel and wheel arches. These carpets sets are only made to special order; please contact us for more information.

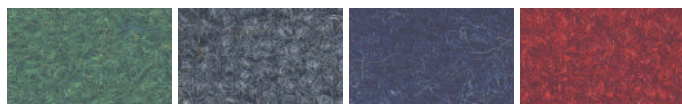
For Series III & V models we offer a moulded carpet set available in selected colours. These carpet sets feature a contoured tunnel and front wheel arch carpets. The tunnel carpet is designed to cover the handbrake bracket & cables giving a smart & tidy appearance. The footwell mats are backed with a special hard wearing PVC coating and feature fully bound edges with a heel mat on the driver's side. The non-moulded carpet sets are made from a tufted pile carpet and are stitched around the tunnel to form the shape. Due to the texture of the carpet these seams are concealed, giving a good finish. Carpet sets include instructions & fittings. Adhesive sold separately, please see out Restoration Tools catalogue for more information.

Van & Pick-up models have some unique trim components, including carpets, seat covers and door panels. Please see page A40 for more information.

Carpet set colours



Biscuit Black Blue Brown



Green Grey Navy blue Red

Please note: Colours may vary slightly to samples shown here, due to the limitations of the colour printing press, and should be used as a guide only.



SCA8111381



SCA8111521



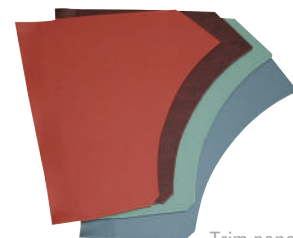
SCA8311352



SCA8512520



SCA8312272



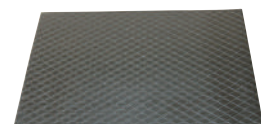
Trim panels



CSA825110



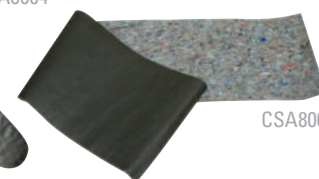
CSA8004



CHM228



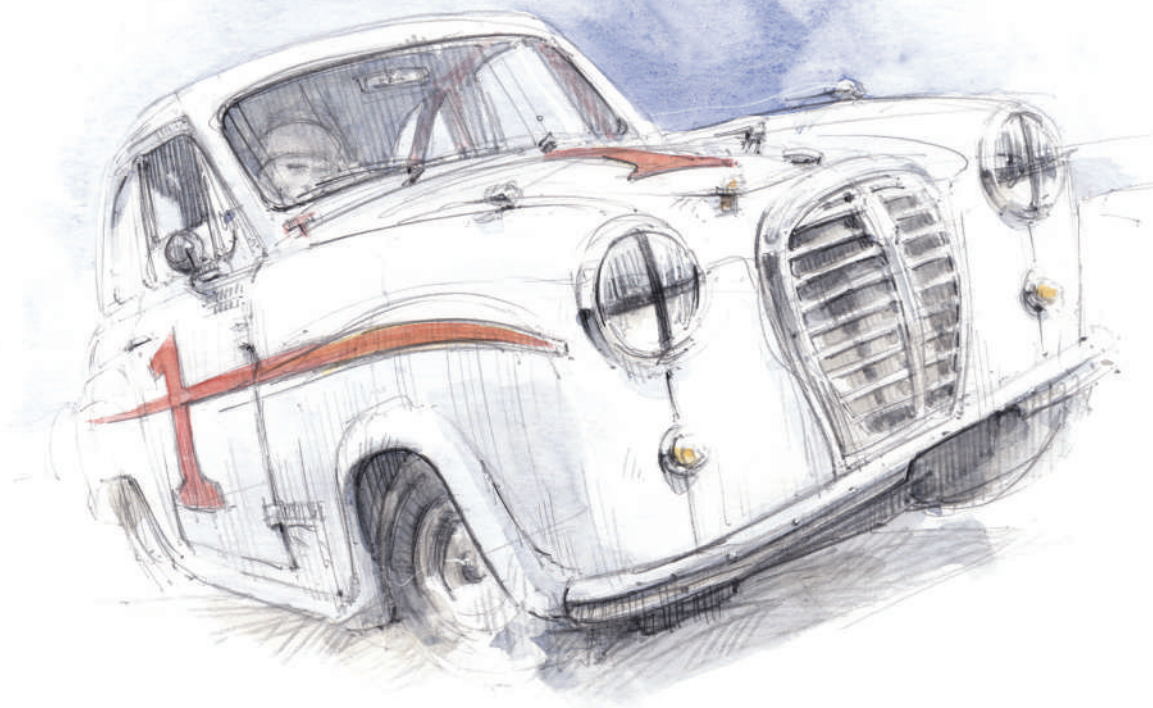
CSA8001



CSA8002

DYNOLITE

EUROPE'S CLASSIC MOTOR OIL



Dynolite Oil produces high quality oils and lubricants for vintage, classic and racing applications. Including lubricants for engines, gearboxes, steering boxes and greases. Dynolite lubricants are specially developed for historic vehicles to offer far superior mechanical protection.

www.dynolite.com

Dynolite Stockist: Moss Europe Ltd



LONDON

LONDON

Unit 16, Hampton Business Park
Bolney Way, Feltham
TW13 6DB

London Tel

+44 (0)20 8867 2020

E-mail

sales@moss-europe.co.uk

Fax

+44 (0)20 8867 2030



BRADFORD

BRADFORD

Unit 12-13, Acorn Park Ind. Est.
Otley Road, Shipley
BD17 7SW

Bradford Tel

+44 (0)1274 539 999

Email

bradford@moss-europe.co.uk

Fax

+44 (0)1274 539 990



BRISTOL

BRISTOL

14 Avonside Id. Park
Avonside Road, Bristol
BS2 9EH

Bristol Tel

+44 (0)117 923 2523

Email

bristol@moss-europe.co.uk

Fax

+44 (0)117 300 9164



MANCHESTER

MANCHESTER

111-117 Stockport Road
Stockport, Cheshire
SK3 0JE

Manchester Tel

+44 (0)161 480 6402

Email

manchester@moss-europe.co.uk

Fax

+44 (0)161 429 0349



PARIS

PARIS

7 rue Chaponval
ZAC du Cornouiller
78870 Bailly, France

Paris Tel

+33 (0)1 30 80 20 30

Email

sales@moss-europe.fr



Moss Websites
moss-europe.co.uk | moss-europe.fr



Facebook
facebook.com/mosseurope



Instagram
instagram.com/mosseuropeltd