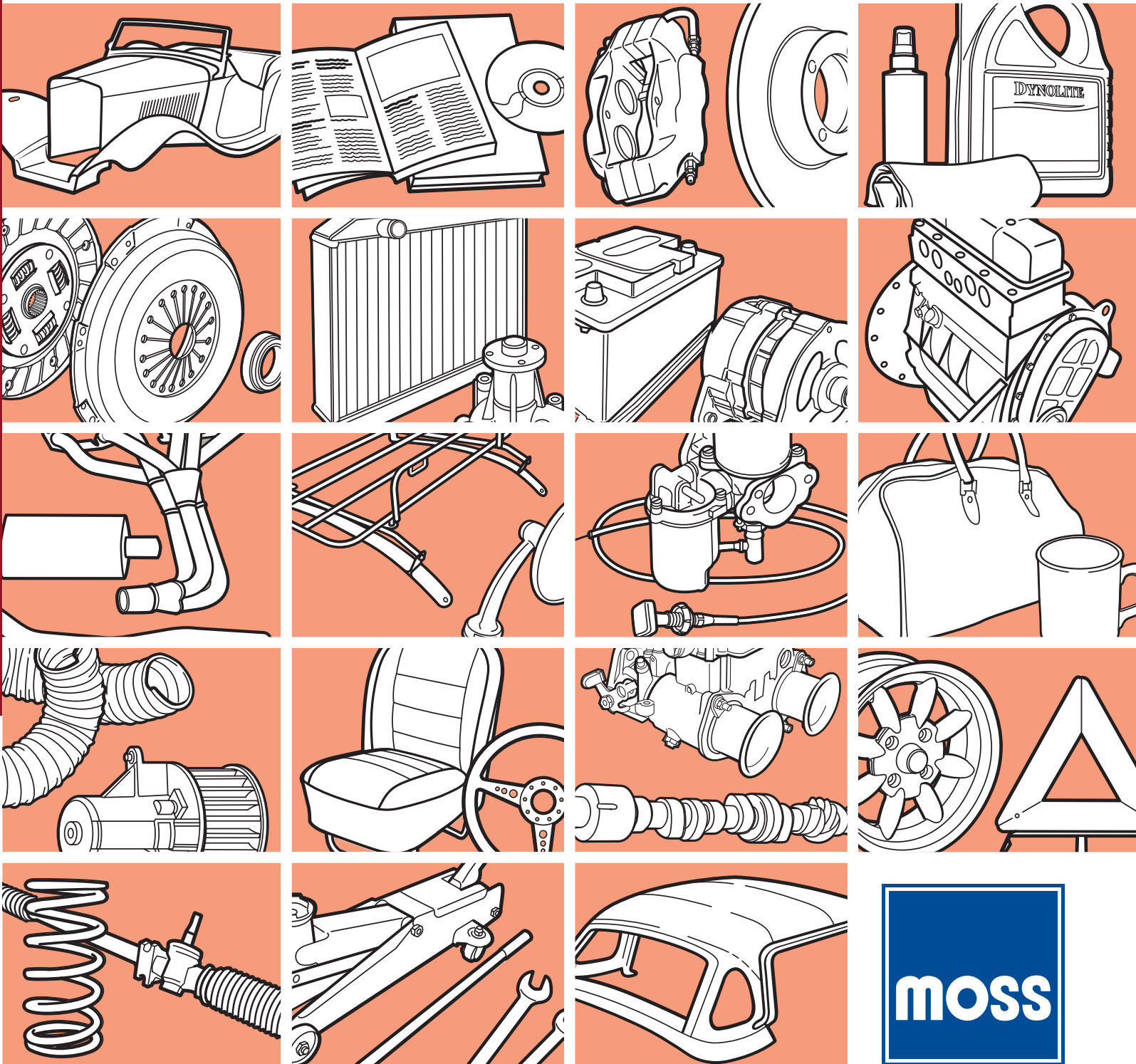


ISSUE 18

PARTS & ACCESSORIES FOR YOUR

MGT-TYPE

including technical advice and detailed schematics



HOW TO ORDER

ORDER ONLINE

Ordering online is quick and straight forward. Simply search by part number or browse by model and component categories. Our site features detailed schematics so identifying the correct part is easy, right down to the last nut and bolt. Should you get stuck, our knowledgeable sales staff are ready to help using our live-chat feature.

Add the parts that you need to your basket and head to the checkout for delivery and payment options. Once checked out, you will receive a confirmation of your order via email, by which time your parts will be being picked and packed, ready to be sent to your door.

ORDER THROUGH A BRANCH

Whether you are visiting, calling or emailing, our knowledgeable branch staff will be happy to help you get the parts that you need. They are car enthusiasts too and understand the challenges that sometimes come with identifying the right parts for rare and classic cars. Of course, the more information about your vehicle that you have to hand, the quicker and easier it will be for us to help.

Arranging to collect parts from our branches is easy, our teams will let you know once your order is ready. Alternatively, they can dispatch your order directly to you.

PRICING

Due to constant variations of world markets and currency fluctuations the prices in this catalogue are subject to change. We make every attempt to keep prices competitive and stable, however in common with all other suppliers in our industry, we reserve the right to alter prices without prior notice. For the latest prices, please call or visit moss-europe.co.uk. All prices are per unit (unless otherwise stated).

Value Added Tax (VAT) at the current UK rate of 20% will be levied on all orders being dispatched to countries within the UK, including Northern Ireland. Shipments to countries outside the UK, including all EU countries, will not be charged VAT. Prices are correct at the time of going to print, postage & packaging is not included. E&OE.

SHIPPING & DISPATCH

Orders for delivery in the UK may be dispatched by regular post for small/lightweight items, larger items may be dispatched via a courier. Please call us for the best delivery option for your order and the latest delivery prices.

For delivery outside the UK we offer the following services. Economy delivery (by road): 2 to 5 days (approximately). Express delivery (by air): 1 to 2 days (Guaranteed). For small and low value orders we also use airmail. For these services, please ask for prices and the best delivery option when you place your order. Most deliveries (except airmail) are 'trackable', (inc: e-mail updates and internet access for selected carriers). Please remember, all carriage charges are dependent on either gross weight or volumetric weight, whichever is greater. If a quotation is required prior to placing your order, please contact a member of the sales department. Alternatively, you can arrange your own collection.

ORDERING FROM OUTSIDE THE UK

Export orders may be subject to local import duties, taxes and Customs clearance fees, which must be paid before receipt of the goods. These charges are NOT included in the price of the goods or the delivery. These charges are normally managed by our carrier & freight forwarder agents. If you use your own shipping agent, please consult them for details. All relevant Customs forms and documentation required to ensure the order arrives with the minimum of delay will be included with your shipment.




90 DAY MONEY BACK PEACE OF MIND WARRANTY

It's simple, if you change your mind for any reason, all uninstalled parts still in their original condition and packaging may be returned to us within 90 days from the date of purchase for a full refund. A copy of the original invoice or picking label must accompany the return. Return freight is paid by the customer, unless returned due to our error.

In the event of a part failing in use, all parts are warranted against defects in materials and workmanship for 12 months from the date of purchase. Please remember that all returns must be accompanied by the original invoice, return freight will be reimbursed. For more details see our website or contact your local branch.

FIND US ONLINE FOR THE LATEST PRODUCTS, NEWS, FEATURES AND SALES.

STAY IN TOUCH

-  Facebook facebook.com/mosseurope
-  Twitter twitter.com/mosseurope
-  Instagram instagram.com/mosseuropeltd

BUY ONLINE

-  Moss Websites moss-europe.co.uk
- moss-europe.fr



LONDON

Unit 16, Hampton Business Park
Bolney Way, Feltham
TW13 6DB

London Tel
+44 (0)20 8867 2020

Email
sales@moss-europe.co.uk

Fax
+44 (0)20 8867 2030



BRADFORD

Unit 12-13, Acorn Park Ind. Est.
Otley Road, Shipley
BD17 7SW

Bradford Tel
+44 (0)1274 539 999

Email
bradford@moss-europe.co.uk

Fax
+44 (0)1274 539 990



BRISTOL

Unit 14 Avonside Ind. Park
Avonside Road, Bristol
BS2 0UQ

Bristol Tel
+44 (0)117 923 2523

Email
bristol@moss-europe.co.uk

Fax
+44 (0)117 300 9164



MANCHESTER

111-117 Stockport Road
Stockport, Cheshire
SK3 0JE

Manchester Tel
+44 (0)161 480 6402

Email
manchester@moss-europe.co.uk

Fax
+44 (0)161 429 0349



PARIS

7 rue Chaponval
ZAC du Cornouiller
78870 Bailly, France

Paris Tel
+33 (0)1 30 80 20 30

Email
sales@moss-europe.fr

Sav
+33 (0)1 30 80 21 50

A		H		Signs	A28
Adjustable oil pressure regulator	A08	Harness kits	A25	Spin on oil filter	A08
Aeroscreens	A15	Headlamp peaks	A19	Sports coil	A07
Air filters	A12	Headlamp protectors	A19	Spot & fog lamps	A18
Alfin brake drums	A06	Headlamp relay kits	A19	Steering wheel bosses	A22
B		Headlamps	A19	Steering wheels	A22-23
Badge and lamp bars	A14	Heated blanket	A29	Stone guards	A19
Badges	A15	High torque starter motors	A04	Sun catcher	A28
Bar stool	A28	Hoods	A13	Sun visors	A15
Battery cut-off switches	A07	Hoodies	A27	Supercharger kit	A12
Battery tray/liner	A06	Horns	A14	Switches	A18
Books & manuals	A26	HT leads	A05	T	
Brake servo kit	A06	Hubcaps	A21	Threshold plates	A15
C		I		Throttle discs	A11
Car covers	A20	Ignition lead numbering set	A04	Tonneau covers	A13
Carburettor accessories	A10	Interior trim	A24	Tool rolls	A30
Carpets set	A24	J		Tracker	A10
Centre armrests	A24	Jack bags	A30	Travel bags	A26
Centre lock spinners	A21	K		T-shirts	A27
Cigar lighter	A29	Key fobs	A29	Tyre valve caps	A21
Coil cover & bracket	A07	Klingersil gasket	A08	U	
Cool bag	A28	Kneeling pad	A28	Umbrella	A28
Crankshaft	A10	L		W	
Crankshaft oil seal kit	A10	Lamp covers	A18	Waterproof blanket	A29
Crown wheel & pinion kit	A11	Lamps	A18-19	Wheel cylinder set	A05
D		Luggage racks	A14	Wheel trims	A20
Damper conversion kit	A05	M		Wind wings	A15
Dash kits	A23	Mirrors	A16-A17	Wine & beer glasses	A29
Dashpot covers	A12	Model kits	A30	Wire wheel conversion kits	A21
Decals	A14	Moto-meter radiator caps	A09	Wire wheels	A21
Dipstick	A08	Mugs	A30	Wire wheels tools & essentials	A20
Distributors	A07	O		Workshop apron	A29
Drivers cap	A27	Oil cooler radiators & kits	A08		
DVDs	A26	Oil filter conversion	A08		
Dynamat	A28	Overmats	A24		
Dynator charging systems	A04	P			
E		Peak caps	A27 & A29		
Earrings	A29	Piper air socks	A12		
Embroidered patches	A29	Plug caps & terminals	A05		
Exhaust systems	A04	Poster	A29		
Exhaust tail pipe	A04	R			
F		Ram pipes	A12		
Fan kit	A06	Rev limiter	A06		
Flags	A28 & A30	Reverse & fog lamps	A18		
Flying helmet & goggles	A27	Rocker covers	A11		
Fuel pump inertia switch kit	A09	S			
Fuel pumps	A09	Screw jack	A30		
Fuel regulators	A09	Seat belt kits	A24-25		
G		Seat belt shoulder pad	A30		
Garage signs	A28	Seat cover kits	A24		
Gear knobs	A23	Shock absorber bush kit	A05		
Gear stick gaiter finisher kit	A23	Shock absorber conversion kit	A05		
Gearbox conversions	A11	Side screen covers	A13		
General switches	A18				
Grab handle	A23				
Groser jets	A11				

Sections

Performance A04

Exterior A13

Interior A22

Personal A26

BLACK & WHITE Restoration Section

Ordering
Information 01

Restoration
Parts 02



Moss Europe Ltd are proud to support the FBHVC

The Federation of British Historic Vehicle Clubs exists to uphold the freedom to use old vehicles on the road.

Where the price is replaced with NCA this part is Not Currently Available. Please visit our website (moss-europe.co.uk) or call our sales staff for the latest availability information or to enquire if we can offer an alternative part.

MGTcat ©Copyright Moss Europe Ltd. June 2021. Printed in the U.K. All rights reserved. No part of this publication may be reproduced, stored in a retrieval system, or transmitted in any form by any means, electronic, photocopying, recording or otherwise without prior written consent of Moss Europe Ltd. Please note: Product colours may vary slightly to samples featured in this catalogue, due to the limitations of colour printing.

BELL STAINLESS STEEL EXHAUST SYSTEMS

Bell stainless steel exhaust systems have stood the test of time and are the perfect upgrade for your classic cars mild steel exhaust system. Made from high quality stainless steel right here in the UK, these exhaust systems feature an improved exhaust note and increased longevity. These exhausts will last for years to come. For individual replacement components, exhaust mountings and detailed model specifications, please see the Restoration section.

Stainless steel exhaust system, TA	BSMGTA . . .	£330.00
Stainless steel exhaust system, TB	BSMGTB . . .	£235.00
Stainless steel exhaust system, TC	BSMGTC . . .	£239.00
Stainless steel exhaust system, TD	BSMGTD . . .	£240.00
Stainless steel exhaust system, TF	BSMGTF . . .	£148.00



BSMGTD



454-538

One of the finest sports exhausts available...



TOURIST TROPHY EXHAUST SYSTEM

This beautiful Tourist Trophy polished stainless steel sports exhaust system is available for TC, TD & TF models and is manufactured using the highest quality materials and workmanship. The system features a single silencer with a tail pipe designed to clear the overrider. The box is packed with a combination of stainless steel wire wool and fibreglass, this gives a throaty exhaust note under acceleration that isn't intrusive when cruising. Fitting kit sold separately.

Warranty info: This system is warranted to the original purchaser of record and for the original vehicle on which the product was installed, against defects in materials and workmanship for 5 years. Moss' sole obligation under this warranty shall be limited to repair or replacement at Moss' option, provided that the muffler discloses a manufacturing defect.

Warranty is void if any defects are caused by a physical impact of any kind.

- Manufactured from 1.2 mm thick 304 grade stainless steel.
- Entire mid-pipe/silencer is polished to a mirror shine.
- Tailpipe angled away from the overrider.
- 5 Year Limited Warranty (conditions apply).

Stainless steel exhaust system, TB-TC	454-511	£197.10
Fitting kit for 454-511 exhaust system	454-513	£58.70
Stainless steel exhaust system, TD & TF	454-538	£175.70
Fitting kit for 454-538 exhaust system	454-539	£56.70
Exhaust clamp Mikalor type, 1 7/8", 2 required	TT9933S	£2.56
Hanger, 2 required	412-040	£15.90



DYNATOR CHARGING SYSTEM

For owners wishing to fit an alternator but prefer to keep the original appearance for aesthetic reasons, or for competition scrutineering rules, the Dynator is the answer. Basically, it's an alternator in a dynamo casing, and comes complete ready to fit, available for positive and negative earth. Instructions provided.

Negative earth, with tacho	PT1080TT . . .	£620.00
Positive earth, with tacho	PT1080TTP . .	£710.00



HT LEAD NUMBERING SET

Keep track of which ignition lead is which with a set of useful numbered sleeves.

HT lead numbering set, 4 cylinder	CRST255	£4.60
---	-------------------	--------------



EXHAUST TAIL PIPE TRIM WITH MG LOGO

If you want that true classic look for your MG exhaust, this high quality cast aluminium clamshell shape tail pipe trim is just the thing, with the MG logo.

Exhaust tail pipe trim with MG logo	224-140	£118.60
---	-------------------	----------------



GEU9405X

HIGH TORQUE STARTER MOTORS

Powerful, lightweight High Torque starter motor offering increased torque, especially useful on high compression engines. These are brand new (non-exchange) and a direct replacement.

High torque starter motor, TA	GEU9401X . . .	£243.00
High torque starter motor, TB-TC	GEU9403X . . .	£243.00
High torque starter motor, TD-TF	GEU9405X . . .	£243.00



PLUG CAPS & IGNITION LEAD TERMINALS

Waterproof NGK plug caps in a choice of different angles to suit various applications and a HT terminal kit to fit push-in coils and distributor caps.

- 1 Straight plug cap, red, each NSB5. £3.90
- 2 Straight plug cap, black, each NSB5BLK. £3.70
- 3 60° plug cap, red, each NYB5 £3.90
- 4 60° plug cap, black, each NYB5BLK. £5.20
- 5 90° plug cap, red, each NLB5 £5.50
- 6 90° plug cap, black, each NLB5BLK. £3.16
- 7 Ignition lead end kit, each GCL1110 £2.52



TT2982M

COMPETITION HT LEAD

If you want a performance HT lead with the correct period look then this 'bumblebee' lead is a must. As per the original 'Lucas' type it features a high conductivity copper core with a yellow insulator featuring a black stripe.

Alternatively, use the standard black lead for an 'OE' look. We recommend you assemble leads with NGK suppressed plug caps.

- Bumblebee HT lead, per metre TT2982M. £6.30
- HT lead, black, per metre AAA5981M. £2.75



SHOCK ABSORBER BUSH INSTALLATION KIT

Installing new Girling shock absorber bushes and link pins has been a great source of frustration for TA, TB, TC owners for years. Replacement bushes available over the years have been either very easy to fit, coming apart just as easily or nearly impossible to fit! Our kit includes detailed instructions.

Shock absorber bush installation kit, TA & TC . MM385-890 . . £88.50



WHEEL CYLINDER SET

The braking power of the typical T-series ranges anywhere between adequate to nightmarish. Moss now offers a complete wheel cylinder set with fantastic build quality that offers stopping performance that your vehicle hasn't seen since it was new.

Not only will your confidence increase when needing to stop, but also your budget will appreciate the cost savings that the complete kit offers over purchasing wheel cylinders individually.

Wheel cylinder set, TD-TF 180-628. £153.80



GAZ front coilover conversion kit

Replace your factory front suspension with modern day coilovers, providing a far superior ride and greatly increased road holding and performance. Suitable for the TD & TF only. A simple conversion complete with fitting instructions that will totally transform the feel of your T-Type.

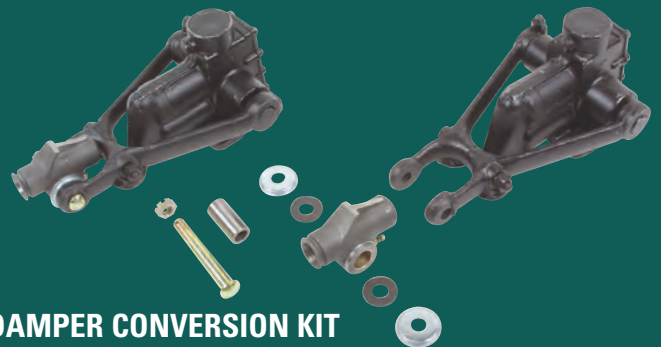
Gaz front coilover conversion kit. TMG40150G . . £990.00



REAR TUBE SHOCK CONVERSION KIT

This telescopic damper conversion kit is designed to give improved ride and damping characteristics to your TD-TF. Featuring Koni adjustable dampers with bespoke brackets and comprehensive fitting instructions. Koni dampers are renowned for their quality and accurate damping control, dampers must be removed from the car to adjust the damping settings.

Koni shock conversion kit, rear, TD-TF 267-658. £514.00
Koni shocks, replacement, pair, TD-TF MM267-657PR. £267.00



DAMPER CONVERSION KIT

This front damper conversion uses MGB front dampers with specially designed and modified upper trunnions.

Please note that this replaces the shocks on Armstrong equipped TD's only, and all TF's. TD's that had Girling dampers cannot use this conversion due to clearance problems. In order to use it, the TD must have the "relief bump" in the front wing to clear the damper body. The kit comes complete with everything needed except bolts to mount the damper. Existing damper mount bolts should be retained.

Damper conversion kit, TD & TF. 264-398. £900.20



TT3949

REMOTE BRAKE SERVO KIT

For those who find the brake pedal rather hard after driving more modern vehicles, these remote servo kits make braking easier by reducing pedal effort. Suitable for all single line brake circuits they are remote mounted and easily plumbed into the hydraulic and vacuum systems of the car. We offer both a Lockheed and aftermarket kit, both are supplied with mounting brackets and hardware. (Union fittings to this servo are UNF thread. Please change the pipe unions to your specific requirements).

- Remote brake servo kit, Lockheed TT3949 **£229.50**
- Remote brake servo kit, aftermarket TT3949Z **£97.50**



ALFIN STYLE BRAKE DRUM

These newly available Alfin style brake drums for the TC provide extra cooling to improve the braking efficiency, reducing brake fade under heavy braking.

- Alfin style brake drum, each, TC 456-910 **£394.00**



HUB BEARING NUT KIT

Now supplied in the more common 50mm, these nuts have an integrated lip-seal and are designed to keep oil from leaking onto your brake drums. The kit includes two 50mm hex nuts with integrated lip-seal, two tab washers, and two stainless steel axles sleeves to provide a smooth sealing surface.

- Hub bearing nut kit 265-115 **£91.80**



222-573

PERTRONIX IGNITION

These completely self-contained electronic ignition units offer a simple alternative to traditional points and condenser arrangement. They are easy to install with no external control boxes to mount and only two wires to hook up and no permanent modifications involved. The unit uses a lobe sensing, sealed Hall Effect sensor that is impervious to dirt, dust, moisture, or vibration, and retains standard advance curve. Unaffected by distributor shaft wear, maintains firing accuracy to within 1/4 degree, reduces spark scatter over the full rpm range. The kits include a rotor arm, fittings and instructions. One year warranty.

This new design of lobe sensing unit is suitable for all distributor cam types, symmetric, asymmetric or high lift. High Lift Cams were installed in units with the suffix E or subsequent letters.

As a rule of thumb, the MG TC and early MG TD had an Asymmetric cam. The later MG TD and some of the MG TF had a Symmetric cam. The later MG TF had a High Lift cam.

- Pertronix Ignition, Lucas, positive earth 222-563 **£190.00**
- Pertronix Ignition, Lucas, negative earth 222-573 **£190.00**



RL5

TT2987

SMOOTHCUT REV LIMITERS

These rev limiters could save you from an expensive bill. Designed to allow full use of power up to maximum revs, where they will not exceed the preset limit. They work by progressively miss-timing the spark preventing an increase in engine speed from over revving due to missed gears or over exuberance.

- SmoothCut rev limiter, 4 cyl., preset 6,000rpm TT2987 **£109.20**
- SmoothCut rev limiter, adjustable limit RL5 **£148.20**



BATTERY TRAY

This clever - yet functional item, completely hides all but the most terminal symptoms of battery box plague. Ribbed for strength, this battery tray not only protects against corrosion, but also makes cleaning around the battery easier.

- Battery tray AM7301 **£41.40**

BATTERY CUT-OFF SWITCHES

Battery cut-off switches are a good idea for all cars. Fitting one enables you to quickly isolate the battery and immobilise the car; ideal when working on your car, or if you intend to put your car into storage. Use with a battery conditioner, see our website or our Restoration Tools catalogue.



Battery mounted cut-off switches

These cut-off switches simply mount to the battery post and feature a screw-in knob to break the circuit. Available with a bypass fuse to allow sufficient current to pass to operate clocks, alarms and coded radios, but if any attempt is made to start the car the fuse will blow.

- Battery mounted cut-off switch GAC3192X . . . £8.00
- Battery mounted cut-off switch with bypass fuse . GAC31921 . . . £13.80



In-line cut-off switches

These cut off switches need to be fitted into the main battery to starter cable. The body of the switch should be mounted securely to the car and cables fitted using the terminal kit.

Period cut-off switch

These are reproductions of the Lucas 'Battery Master Switch' which was a popular accessory on many British classics.

- Period battery cut-off switch, short knob. 1B2804 £37.20
- Period battery cut-off switch, long knob 1B2804L £37.20



Motor sport cut-off switches

Battery cut-off switches are obligatory for competition cars and should be fitted with a cable for remote access.

- Battery cut-off switch. TT7964. £8.30
- Battery cut-off switch, race spec, FIA approved . . TT7962. £31.40
- Remote cable, 6 foot TT79621. £13.20
- Spare key for switches TT7964 & TT7962. TT79641. £2.20
- Terminal kit for battery cable TT7964TK. . . £10.80



COIL CLAMP & COVER

Brighten up your engine bay with our coil clamp and covers for standard coils only.

- Stainless steel coil clamp only GAC8470X . . . £9.70
- Stainless steel coil clamp & coil cover set GAC8470CC. . £14.80

CSI-IGNITION DISTRIBUTORS

CSI-Ignition distributors offer a fully electronic ignition system built into a modified Lucas 23D4 distributor housing, keeping as near as possible to the original appearance in the engine bay.

Gone are the points and condenser and mechanical advance mechanism, all replaced with a high quality electronic ignition system manufactured using military specification components for durability and reliability. These distributors are maintenance free (no points to adjust), and offer the benefits of, easier starting & smoother running, more torque & power, reduced fuel consumption & emissions. They also eliminate the weaknesses of mechanical timing advance and problems such as points bounce ensuring correct ignition timing throughout the rev range.



“The new range of CSI-Ignition distributors is a breakthrough for classic car ignition systems”.

Each CSI-Ignition distributor features 16 easily switchable, optimised ignition curves to allow timing adjustment to suit your car's engine and fuel specifications. Alternative advance curves can be selected to suit your engine's state of tune making them ideal for modified engines. Curves are easily selected using a screwdriver in a rotary switch, with a bright flashing LED indicator to show the selected curve all concealed underneath the distributor cap.

The distributors are also available with an electronic immobiliser system to prevent unwanted starting of the engine. The immobiliser system features a compact receiver, which should be fitted close to the ignition switch but out of sight, and an electronic key.

All CSI-Ignition distributors for T-Types are specially modified 23D units they feature optimised curves, without vacuum units and will suit standard and modified engines. Please note: Some units may only be available To Order. More details are available on our website, search for CSI-Ignition Distributor.

- Optimised, 23D4, positive earth CSD5013571 £350.00
- Optimised, 23D4, negative earth. CSD5013581 £350.00
- Optimised with immobiliser, 23D4, positive earth . CSD5013671 £460.00
- Optimised with immobiliser, 23D4, negative earth . CSD5013681 £495.00



SPORTS COIL

You must use the conventional (non transformer) type coil with a minimum resistance of 2.5 Ohms, such as our sports coil TT2981 (3.0 Ohms) Bypass the ballast resistor if fitted. The use of a transistor type coil will damage the CSI distributor and invalidate any warranty.

- Sport coil, non-ballast type, 3 ohms. TT2981. £24.60
- Ignition lead end kit GCL1110 £2.52



SPIN-ON OIL FILTER ADAPTOR KIT

Avoid messy oil changes and convert your engine from the original canister filter to a more efficient, modern spin on filter. Each conversion kit includes all the necessary pieces for installation, apart from the oil filter.

- Spin-on adaptor kit, TB, TC & TD to (e) 14223. 435-325 **£122.50**
- Spin-on adaptor kit, TD from (e) 14224 & TF . . 235-865 **£123.00**



- Oil filter. GFE173 **£4.56**

KLINGERSIL GASKET



These gaskets are manufactured from a modern high performance synthetic material that can withstand much higher temperatures (up to 400°F) and extreme pressures (up to 750psi) making them ideal for fast road and competition engines.

- Gasket thermostat housing updated 115467X **£1.50**



OIL FILTER ASSEMBLY

This spin-on conversion for the MG TB, TC and early TD is manufactured in the UK and is designed to look like the original canister assembly. The body splits to expose the spin-on filter. The conversion kit comes complete with a filter included.

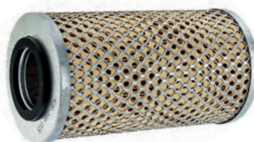
- Oil filter assembly, spin-on conversion 435-375 **£205.70**



OIL FILTER CONVERSION

This replacement filter assembly for the original TB-TD is a throw away type. The clever design uses inexpensive inserts making the entire package economical in the long run. Suitable for TB-TC and TD models up to (e) 14223.

- Oil filter conversion 435-385 **NCA**



- Replacement oil filter. 435-395 **£10.10**



ARO9888

ARO9875

ARO9807

OIL COOLER RADIATORS

The oil should be allowed to operate at its optimum temperature, not too hot and not too cold. Choose the one that best suits your purposes.

- Oil cooler radiator, 10 row, road use ARO9807 **£73.50**
- Oil cooler radiator, 13 row, fast road. ARA221 **£60.00**
- Oil cooler radiator, 16 row, fast road/sprint ARO9875 **£98.40**
- Oil cooler radiator, 19 row, race ARO9888 . . . **£117.85**

MM235-935



OIL COOLER INSTALLATION KITS

Oil thins as the temperature increases, thinner oil reduces oil pressure and is less effective at preventing metal to metal contact. Longer journeys or driving at sustained high speeds, tends to exacerbate the problem. Fitting an oil cooler minimises this effect and helps prevent engine damage. Our kits come with mounting brackets and unions in a variety of styles.

MM235-945



Thermostatic kits include a thermostat so the oil does not go through the cooler until it reaches operating temperature, giving quicker warm up. The radiator is supplied separately so you can choose the most appropriate size. TB, TC and early TD kits are for early vertically mounted oil filter applications. Late style kits incorporate a cast aluminium sandwich plate to fit between the oil pump and filter canister. Oil coolers are normally mounted below the splash apron. (Hose unions are 1/2" BSP).

- TB, TC & TD (TD to engine number 14223) . . MM235-935 . . **£47.15**
- TD (engine number 14224 on), TF. MM235-945 . **£123.00**



ADJUSTABLE OIL PRESSURE REGULATOR

This high quality machined period, high performance oil pressure regulator allows external adjustment of the engine oil pressure relief valve spring pre-load.

- Adjustable oil pressure regulator 435-550 **£90.60**

FUEL TANK DIPSTICK

A simple yet effective way of ensuring you don't run out of fuel. Calibrated with gallons on one side and car specifications on the back.

- Dipstick, TC TD & TF. 386-195 **£7.30**

HIGH CAPACITY FUEL PUMPS

The standard fuel pump may not be able to maintain adequate fuel flow and pressure at higher engine speeds, particularly with a tuned engine. The Facet range of fuel pumps will suit all standard and modified engines fitted with carburettors. They give constant fuel flow and pressure, even at high temperatures eliminating the problems associated with vapour lock.

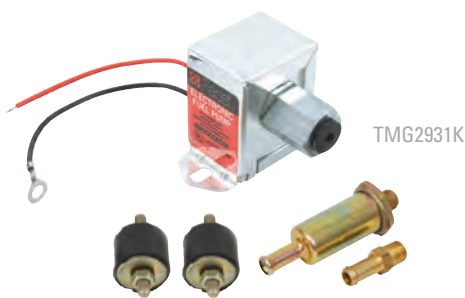
The pumps are available in a variety of specifications to suit the engine's fuel pressure and flow requirements. Further fine tuning of the fuel pressure can be easily achieved by the use of a separate fuel regulator, see right. With safety in mind we recommend fitting a fuel pump inertia switch kit, so that in the event of an accident fuel delivery is automatically cut-off. Fuel lines may require adapting to install the new pump, check pipe sizes to select the correct unions, additional unions may be required.



Cylindrical fuel pumps

Formerly known as interrupter type pumps, these heavy duty pumps can be fitted at the front or rear of the car and up to 600mm above the bottom of the fuel tank. Kits are supplied with mounting & 8mm unions, alternative size unions available.

- Cylindrical fuel pump kit, road, silver top TMG2930K . **£104.00**
(Up to 150bhp, flow rate: 30 gal/hr, 4.0-5.50 psi, unions: 8mm x 1/8 npt).
- Cylindrical fuel pump kit, fast road, silver top. . . MGS2930K. . **£106.00**
(Up to 200bhp, flow rate: 35 gal/hr, 6.0-7.0 psi, unions: 8mm x 1/8 npt).
- Cylindrical fuel pump kit, competition red top . . MGS2932K. . **£108.00**
(Above 200bhp, flow rate: 40 gal/hr, 6.0-8.0 psi, unions: 8mm x 1/8 npt).
- Cylindrical fuel pump only, competition, red top TT2930. **£96.70**
(Above 200bhp, flow rate: 40 gal/hr, 6.0-8.0 psi, 1/4 npt threads).



Solid state fuel pumps

These pumps should be mounted at the rear of the car (as they are designed to push fuel rather than draw fuel) and ideally below fuel tank level, although they will work up to 300mm above the bottom of the fuel tank. Kits are supplied with mounting & 8mm unions, alternative size unions available.

- Solid state fuel pump kit, fast road TMG2931K . **£60.00**
(Up to 150bhp, flow rate; 32 gal/hr, 4.5-7 psi, unions: 8mm x 1/8 npt).
- Solid state fuel pump only, fast road MGS2931 . . . **£50.00**
(Up to 180bhp, flow rate: 34 gal/hr, 7.0-10.0 psi, 1/8 npt threads).



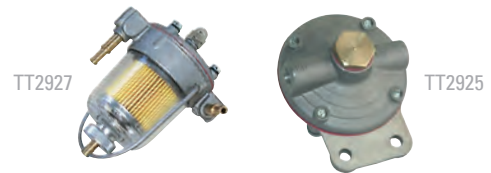
Fuel pump unions

Use with the listed fuel pumps, please check thread and pipe size before ordering.

- Straight union, 6mm (1/4"), 1/8 npt. FPA903B. **£1.80**
- Straight union, 8mm (5/16"), 1/8 npt. MOC1604. **£3.70**
- Straight union, 10mm (3/8"), 1/4 npt. FPA904/B **£3.10**
- 90° union, 8mm (5/16"), 1/8 npt MOC1841. **£7.20**
- 90° unions, 8mm (5/16"), 1/4 npt, pair TT2930A **£6.85**
- 90° unions, 8mm (3/8"), 1/4 npt, pair FPA902B. **£7.20**

Fuel filter union

- Unions, 6mm (1/4"), 1/8 npt, pair TT29321. **£7.20**



FUEL REGULATORS

We recommend the fitment of a fuel regulator which allows fine adjustment to the fuel pressure to suit your requirements. Use a filter/regulator unless you already have a fuel filter fitted.

- 67mm deep glass filter/regulator, 1/4" union, ea. . TT2927. **£64.80**
- 85mm deep glass filter/regulator, 5/16" union, ea. . TT2928. **£74.50**
- Fuel pressure regulator, 1/4" union, each TT2925. **£60.00**
- Fuel pressure regulator, 5/16" union, each TT2926. **£60.00**
- SU fuel pump, brass bodied. AUA25B **£298.50**



FUEL PUMP INERTIA SWITCH KIT

This inertia switch is a good safety feature when using an electric fuel pump. The switch unit mounts to a vertical surface in the engine bay and in the unfortunate event of a crash cuts the power to the fuel pump preventing fuel spillage. Supplied with multi connector and tail leads to allow easy connections.

- Fuel pump inertia switch kit C41220AX . . . **£38.00**



MOTO-METER & RADIATOR CAP

This superb product for TA to TD models is not only a well made and good looking accessory, but also very important if your T-Type came out of the factory without the optional water temperature gauge.

- Available with a choice of plain or 'wreath' design bezels and with or without a cap.
- Moto-meter with wreath bezel & cap 230-125. **£181.60**
- Moto-meter with plain bezel & cap. 230-130. **£192.20**
- Moto-meter with wreath bezel no cap 230-103. **£107.60**
- Moto-meter with plain bezel no cap 230-104. **£112.30**



BILLET CRANKSHAFT

These are the next generation of crankshafts. Engineered in England from solid EN40B steel billets, these crankshafts provide a strong foundation for your engine.



The crankshafts are machined using state of the art equipment to original MG specifications. Then the bearing journals are carefully polished before the crank is hardened and tempered to a T condition. Finally it is balanced and Nitrided to the highest quality finish.

Billet crankshaftAAA3105X£2,152.80



GROSE JETS FOR SU CARBURETTORS

Grose jets use a more modern ball valve so they won't stick open.

Grose jets for SU H/HS carburetors GAC9201X£9.10



CLASSIC TRACKER & IMMOBILISER

Classic Tracker provides a secure and reliable tracking service dedicated for classic cars and motorcycles. A three-wire, self-install tracker which uses GPS & GSM to establish and maintain the secure-status of your classic. In the event of any unauthorised movement or tampering, you receive an alert via app/SMS/email and have access to real-time information on an app or the web. An immobilizer is provided so you can remotely immobilise your car during a theft situation just by accessing the app on your phone or on the web. The Immobiliser Pack involves connecting a relay across either your vehicles' ignition or electric fuel pump which is controlled via a fourth wire from the tracker. Classic Tracker 'Safer' pack contains: Tracker unit, Immobiliser pack and one year subscription. After the subscription ends you have the option to renew it or cancel it, if you decide to renew it the annual subscription fee is £99.00 per year. DIY installation is straight forward and can be installed in less than 2 hours, however if you're not sure we recommend installation by a professional.

Classic Tracker TRACKER1 NCA



433-421

CRANKSHAFT OIL SEAL KIT

This kit replaces the antiquated and inefficient threaded slinger at the rear of the engine, a source of constant and consistent oil leaks. Contrary to other conversions which are presently being sold by others, which require extensive and irreversible modifications, this kit is easily installed when the instructions are followed exactly, and requires the drilling of only one small hole.

Rear oil seal conversion, TB-TF433-421£270.00

Replacement seal for above, TB-TF433-422£48.00



433-425

Speedi sleeve, TB-TF433-425£72.00

(Recommended to fit with 433-421).



370-735

GAC4149X

MG CARBURETTOR CAPS & FLOAT BOWL BOLT

These very distinctive solid brass dashpot damper caps for SU carburetors will improve your engine compartment. Your original damper rod must be re-used and pressed into the new cap. The solid brass float bowl bolt with MG logo complements the MG logo carburettor caps.

Carburettor caps with MG logo, pair 370-735 £53.30

Float bowl bolt, each GAC4149X £38.30



WZX1323

PLAIN THROTTLE DISCS FOR SU CARBURETTORS

If your throttle discs are fitted with a pop valve these should be replaced with plain discs to maximise air flow through the carburetors on full throttle.

Plain throttle disc for H2 WZX1320 £12.20

Plain throttle disc for H4 WZX1323 £13.40



386-385

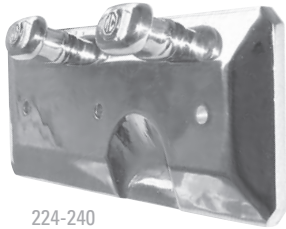
WZX1177RP

OVERSIZED SHAFTS FOR SU CARBURETTORS

Worn throttle shafts and carburettor bodies cause bad idle and uneven running. This can be remedied by replacing your carburetors or by reaming out your carburettor bodies and fitting oversize throttle shafts.

Oversize throttle shafts for HS4 WZX1177RP£19.80

Carburettor reamer386-385£225.90



224-240



224-245

ALLOY ROCKER COVERS

An alloy rocker cover will improve the appearance of your engine bay and as an added advantage, will help to muffle valve train noise. Always fit a new gasket when replacing your rocker cover, and do not over tighten rocker cover nuts.

The non-finned covers for the TB, TC and TF have provision for the breather fittings to use the original air cleaners. The TD-TF finned cover has no provision for the air cleaner breather pipe. Please refer to the Restoration section for breather system.



224-226

224-225

- Non-finned cover with filler cap, MG logo, TB & TC .224-225 .£197.30
- Chrome breather plug, TB & TC.225-900 .£38.60
- Non-finned cover with filler cap, MG logo, TD224-226 .£193.50
- Finned cover with filler cap, MG logo, TF224-245 .£222.00



224-250



290-300

- Thumb nut for T-Type rocker cover, MG logo.224-250 .£21.70
- Rocker cover gasket, TB-TC-TD & TF.290-300 .£11.50
- Tappet cover plate, TB-TC-TD & TF224-240 .£100.80



433-345



290-600

- Brass bolt for tappet plate, MG logo433-345 .£29.50
- Gasket for tappet cover plate290-600 .£9.80

5 SPEED GEARBOX CONVERSIONS

Our precision engineered 5 speed gearbox conversion is based on the Ford Type 9 gearbox and has been designed to make the installation as simple as possible.



Precision engineered 5 speed gearbox conversion...

The conversion kit is supplied separately to the gearbox assembly and you will need to check your clutch plate diameter before ordering. Conversion kits include a bespoke cast alloy bell housing, brackets and necessary hardware. For full specifications and separate components, please contact your nearest Moss branch or check our website for more details.

Please note: TF models also require a supplemental adaptor kit for the bumper tie bar and fan spacer modifications.

- 5 speed conversion, 7.25" clutch, RHD, TC . .041-490 £1,590.00
- 5 speed conversion, 8" clutch, RHD, TC . . .041-491 £1,590.00
- 5 speed conversion, 7.25" clutch, LHD, TD . .041-495 £1,780.00
- 5 speed conversion, 7.25" clutch, RHD, TD . .041-495RHD . £1,780.00
- 5 speed conv., 8" clutch, LHD, TD & TF . .041-500 £1,750.00
- 5 speed conv., 8" clutch, RHD, TD & TF . .041-500RHD . £1,750.00

Adaptor kit, TF041-510£77.20
(Use with required conversion kit).

Gearbox assembly, reconditioned.041-855 £1,320.00
(Outright purchase).

Replacement parts

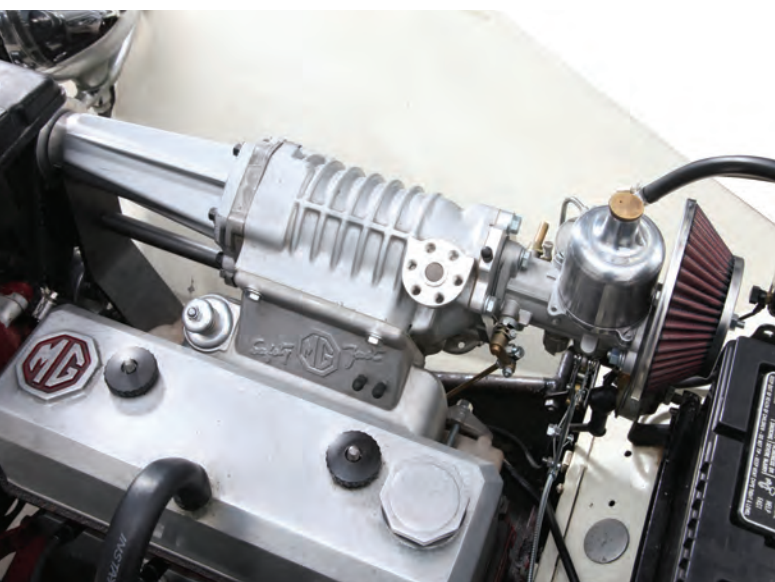
- Seal kit041-855S£28.20
- Clutch plate, 7.25", TC & TD041-520£61.70
- Clutch plate, 8", TD & TFGCP116£53.50
- Speedo cable, 84", RHD, TC-TF041-595£22.80
- Speedo cable, 96", LHD, TC.041-585£22.80



CROWN WHEEL & PINION CONVERSION KIT

This complete crown wheel and pinion conversion kit consists of all the major parts needed to convert your TD or TF to the MGA crown wheel & pinion. It should be purchased in addition to the TD-TF crown wheel & pinion interchanges manual (part no. 212-350) which offers a step-by-step guide to converting the rear axle to accept MGA or ZA-ZB crown wheel & pinion. The kit does not include parts for a normal rebuild that may be required, these will need to be purchased separately. The kit includes crown wheel & pinion, spacer, pinion bearings and CW&P nut.

- CW&P conversion kit, 4.55:1, TD-TF102262K.£208.80
- CW&P interchange manual, TD-TF212-350£11.00



SUPERCHARGER KIT

Supercharging has a prominent place in British car history, going back as early as the 1920s. In the 1950s and 60s, aftermarket suppliers such as Judson, Marshall, Shorrock and Wade popularized the blower as a reliable

method for improving performance. Today, Moss Europe is actively reviving the tradition of supercharged British cars combining old-world attention to detail along with the advances of modern technology.

It has been a number of years since we last offered a TC/TD supercharger. We're proud to announce that a new kit is coming soon, and it's better than ever. Our new, complete supercharger kit is designed expressly for the MG TC/TD, using a modern Eaton blower supplying 5-6 psi of boost. You may expect a horsepower increase of around 40 percent. Step off the line with an authority your car has never known. Power delivery is strong and linear, and smoothness at idle is not compromised.

Appearance is important, so the Moss kit is designed to compliment your car's vintage good looks. We use a period correct 1 1/2" SU carburettor, and a traditional v-belt drive. Everything necessary for installation is included in the kit. Our new intake manifold casting has been designed to optimize flow, and even incorporates a traditional MG factory "Safety Fast" motto. With our step by step installation manual, you can install the kit yourself.

This supercharger system is designed to supplement an engine in good condition, not make up for lost power in a tired one. If your car has an old, fatigued engine you will want to overhaul it first.

Supercharger kit, TC-TD	150-030 . . .	£4,457.90
Drive belt, replacement	053-356	£20.40



STELLING & HELTINGS AIR FILTERS

Stelling & Hellings air filters were a popular aftermarket air filter used on many American hot rods & sports cars. Their filters were supplied as original equipment on the 427 Cobra. Exact reproductions of the period chrome plated slim line filters as used on T-Types.

Stelling & Hellings air filter, SU carbs., 1 1/4", each	223-100 . . .	£45.10
Stelling & Hellings air filter, SU carbs., 1 1/2", each	223-200 . . .	£45.10



DASHPOT COVERS FOR SU CARBURETTORS

Dashpot covers are an ideal way to enhance and brighten the engine bay.

HS2 dashpot cover, silver.	SFR22 . . .	£17.15
HS4 dashpot cover, silver.	SFR23 . . .	£18.40
HS4 dashpot cover, anodised blue.	SFR23B . . .	£18.40
HS4 dashpot cover, anodised red.	SFR23R . . .	£18.40
HS4 dashpot cover, chrome.	SFR150 . . .	£11.80



PIPERCROSS AIR SOCKS

These air socks can be used with our piper ram pipes. They are supplied in pairs at 100mm long. They can be cut to size, though you must leave a minimum of 30mm between the inner face and the ram pipe mouth.

Pipercross air socks, pair	PXC1050	£28.20
--------------------------------------	-------------------	--------



RAM PIPES

Ram pipes (except period style) are fitted inside the air filter to help smooth the air flow into the carburettor. The shorter the ram pipe the higher up the rev range power is produced. If using with an air filter, a minimum clearance of 1 1/2" between the ram pipe and the filter case is recommended to ensure maximum air flow.

Ram pipes for SU carburetors

1	HS4, K&N ram pipe	KN85-5039 . . .	£29.70
	HS2 Piper ram pipe, 30mm.	SFR230	£31.10
2	HS4 Piper ram pipe, 30mm.	SFR430	£33.00
3	HS2 period ram pipe, short	SFR1	£18.85
	HS4 period ram pipe, short	SFR2	£18.85
	HS2 period ram pipe, long.	SFR4	£18.85
4	HS4 period ram pipe, long.	SFR8	£18.85



241-255

TONNEAU COVERS

Protect your interior from prying eyes and the harmful effects of the sun's rays when parked with the hood down with a quality tonneau cover made to the original specifications. For full details and hood/frame fixings, please refer to the restoration section. Contact Moss for special requirements.

Tonneau, full, double duck, black, TA & TB	449-260	£384.40
Tonneau, full, double duck, tan, TA & TB	449-255	£384.40
Tonneau, full, stayfast, black, TA & TB	449-261	£492.00
Tonneau, full, stayfast, tan, TA & TB	449-256	£492.00
Tonneau, half, double duck, black, TA & TB	449-270	£276.90
Tonneau, half, double duck, tan, TA & TB	449-265	NCA
Tonneau, half, stayfast, black, TA & TB	449-271	£369.00
Tonneau, full, double duck, black, TC	241-140	£384.40
Tonneau, full, double duck, tan, TC	241-150	£384.40
Tonneau, full, stayfast, black, TC	241-141	£492.00
Tonneau, full, stayfast, tan, TC	241-151	£492.00
Tonneau, half, double duck, black, TC	241-145	£276.90
Tonneau, half, double duck, tan, TC	241-155	£276.90
Tonneau, half, stayfast, black, TC	241-146	£369.00
Tonneau, half, stayfast, tan, TC	241-156	£369.00
Tonneau, full, vinyl, black, TD	241-220	£384.40
Tonneau, full, double duck, black, TD	241-240	£384.40
Tonneau, full, double duck, tan, TD	241-250	£384.40
Tonneau, full, stayfast, black, TD	241-241	£492.00
Tonneau, full, stayfast, tan, TD	241-251	£492.00
Tonneau, half, double duck, black, TD	241-245	£276.90
Tonneau, half, double duck, tan, TD	241-255	£276.90
Tonneau, half, stayfast, black, TD	241-246	£369.00
Tonneau, half, stayfast, tan, TD	241-256	£369.00
Tonneau, full, double duck, black, TF	241-340	£384.40
Tonneau, full, vinyl, black, TF	241-320	£384.40
Tonneau, full, double duck, tan, TF	241-350	£384.40
Tonneau, full, stayfast, black, TF	241-341	£492.00
Tonneau, full, stayfast, tan, TF	241-351	£492.00
Tonneau, half, double duck, black, TF	241-345	£276.90
Tonneau, half, double duck, tan, TF	241-355	£276.90
Tonneau, half, stayfast, black, TF	241-346	£369.00
Tonneau, half, stayfast, tan, TF	241-356	£369.00

Tonneau stowage bags

Tonneau cover stowage bag	242-605	£38.50
Tonneau rail stowage bag	AHH6757	£39.60



242-270

VINYL, STAYFAST & DOUBLE DUCK HOODS

The hoods supplied by Moss are made on jigs matching those used by the factory, by staff that have over 100 years' experience in hood manufacturing between them.

The vinyl we use is from the same supplier that originally supplied the factory, these are the closest you will get to an original hood in terms of quality, fit and appearance. Double duck material is a canvas based material which, whilst being durable, is prone to fading in direct sunlight. Stayfast is a high quality material that is resistant to fade, but can be more difficult to fit as it has less stretch than vinyl based materials.

241-905



HOODS

Special note: Originally, TA, TB and early TC's were trimmed in black duck (a heavy single ply canvas), later TC's and TD's were trimmed in the same material, but with a tan duck, which was a light khaki tan.

TF's were originally trimmed in a multi-ply canvas material, which was light tan. As these materials are now obsolete, we use high quality double duck.

Split window, double duck, black, TA & TB	449-256	£492.00
Split window, double duck, tan, TA & TB	449-245	£473.70
Split window, stayfast, black, TA & TB	449-251	£584.40
Split window, stayfast, tan, TA & TB	449-246	£584.40
Single window, double duck, black, TC	241-950	£473.70
Single window, double duck, tan, TC	241-970	£473.70
Single window, stayfast, black, TC	241-951	£584.40
Single window, stayfast, tan, TC	241-971	£584.40
Split window, double duck, black, TC	241-915	£473.70
Split window, double duck, tan, TC	241-905	£473.70
Split window, stayfast, black, TC	241-906	£584.40
Split window, stayfast, tan, TC	241-916	£584.40
2 bow, vinyl - black, TD	242-010	£461.40
2 bow, double duck, black, TD	242-050	£473.70
2 bow, double duck, tan, TD	242-070	£473.70
2 bow, stayfast, black, TD	242-051	£584.40
2 bow, stayfast, tan, TD	242-071	£584.40
3 bow, vinyl, black, TD	242-110	£461.40
3 bow, double duck, black, TD	242-150	£473.70
3 bow, double duck, tan, TD	242-170	£473.70
3 bow, stayfast, black, TD	242-151	£584.40
3 bow, stayfast, tan, TD	242-171	£584.40
Vinyl, black, TF all models	242-210	£461.40
Double duck, black, TF all models	242-250	£473.70
Double duck, tan, TF all models	242-270	£473.70
Stayfast, black, TF all models	242-251	£584.40
Stayfast, tan, TF all models	242-251	£584.40
Chrome end cap finisher, all models	AKE1762CAP	£2.70



WINDTONE HORN SET

The distinctive sounding Lucas style windtone horns are superb replicas of the horns fitted to many classic cars including MG T-Types.

1B9007/8. £69.00



TWIN AIR HORNS

Our twin air horn set includes two tuned horns, a heavy duty die cast compressor, all necessary fittings and full instructions.

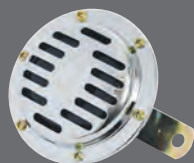
GAC9978X £43.40



ALTETTE HORN

High quality Altette style horn, an exact reproduction of the TC original.

165-900. £193.40



CLASSIC HORN

A direct replacement horn finished in luscious chrome. 105mm diameter.

MT9143 £18.55

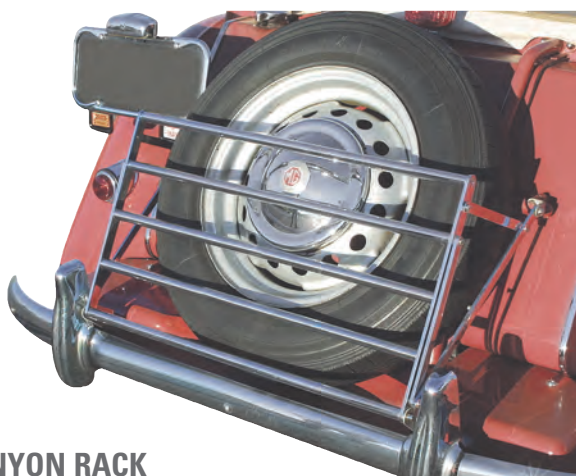


HIGH MOUNT LUGGAGE RACKS

Luggage racks are an extremely useful accessory, particularly when touring providing invaluable extra space and will give that true British sports car look.

High mount factory style luggage racks

Chrome, TA & TC	244-400.	£321.30
Stainless steel, TA & TC.	244-410.	£253.60
Chrome, TD	244-500.	£199.40
Stainless steel, TD.	244-510.	£253.60
Chrome, TF.	244-600.	£321.30
Stainless steel, TF	244-610.	£253.60



TD RUNYON RACK

This is a reproduction of the 1950s accessory rack sold by Runyon in Los Angeles. Folding out or retracting, the rack is an easy one-handed operation.

TD Runyon rack, chrome/stainless steel 243-705. . . . £194.60



DECALS

A small selection from our range of decals available for your car, please refer to the main catalogue for a listing of the exact requirements for your model.

BMC rosette, external.	CRTR208.	£5.90
BMC rosette, internal.	CRTR204.	£5.90
BMC Special Tuning rosette, external	CRTR207.	£5.90
BMC Special Tuning rosette, internal	CRTR207A	£5.90



Negative earth sticker	CRST113.	£1.43
Lucas coil sticker.	CRST156.	£1.70



CHROME BADGE & LAMP BARS

Badge bars give your classic that true period appearance.

TD & TF	451-060	£77.90
(Fits between bumper and front frame extension, so it does not touch the body).		
Badge bar, less brackets, TA & TC.	451-070	£60.80
Bracket for badge bar, RH	406-310	£23.10
Bracket for badge bar, LH	406-320	£23.10

GAC8041X



GAC8042X

BADGE BAR & MOUNTING CLIPS

Clip, badges to bar.	GAC8041X	£4.70
Clip, badges to grille	GAC8042X	£6.20



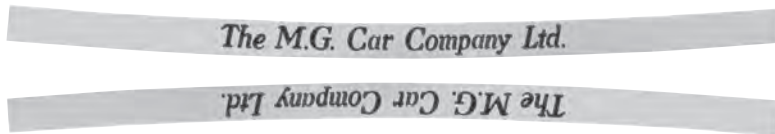
240-100

WIND WINGS

These polished clear plexiglass wind wings simply clip on to the side of the windscreen frame, so there is no need for drilling. And yes, they really do work!

Wind wing set, pair, TC-TF 240-100 **£102.20**
 Bracket, each, replacement 240-151 **£7.30**

DOOR THRESHOLD PLATES



Protect your paint from scuffs and scratches and add a finishing touch of class to your MG. Our highly polished stainless steel door step threshold plates can be fitted by screws, rivets, glue, or double sided tape. Our brushed aluminium treadplates can only be screw fixed to the car. Fittings not included, supplied as a pair unless otherwise stated.

Threshold plates, 'The M.G. Car Company Ltd.' . 451-398 **£48.20**



700896

BROOKLANDS AEROSCREEN

These period style aeroscreens feature a polished cast aluminium frame, chrome plated fittings, complete with mounting brackets and laminated safety glass.

Aeroscreen with fittings, each 700896 **£93.00**
 Aeroscreen fitting kit 700896FK **£11.10**
 Fixing screw, each AD608063 **£0.47**
 Attachment bolt, each 602078 **£13.00**



MM240-300

PLEXIGLASS SUN VISOR

Our polished and tinted plexiglass sun visor is suitable for MG TC, TD and TF. They fit on the top of the windscreen frame. (Requires drilling).

Plexiglass sun visor, each, TC-TF MM240-300 . . **£28.70**
 Bracket, each, replacement 240-151 **£7.30**



BMC Drivers Club
 GAC9967X
£98.90



British Motor Racing
 Marshals Club
 GAC9987X
£87.70



British Racing &
 Sports Car Club
 GAC9969X
£28.60



BARC Brooklands
 GAC9966X
£28.60



UK mainland
 105-432
£8.20



St. Christopher
 GAC9970X
£74.10



England Union flag
 GAC8043X
£36.20



GB letters stick on,
 chrome
 MRD1034SA
£13.90



GB letters set
 3 piece, chrome
 MRD1034A
£11.80



Union flag stick on,
 chrome
 GAC4100CR
£13.70



RAC diamond
 GAC9971X
£40.20



RAC round laurel
 GAC1028X
£66.00



RAC
 GAC8045X
£36.40



Union flag 'flying'
 DAG000080MMM
£22.30



Union flag screw fit,
 35 x 57mm, chrome
 GAC4101
£13.80



Union flag, magnetic
 MM215-330
£11.80



Union & chequered
 flag, 42 x 24mm
 DAG000070MMM
£10.50



Union flag screw
 fit, 30 x 50mm
 GAC4100
£8.10



Union flag stick on,
 pair
 CRST186
£5.20



FRAME MOUNTED MIRRORS

TA, TB and TC style. Note: Windscreen bracket will require drilling, as will the frame if you wish to mount a (LH) mirror in the TA-TC style. See Restoration section for detailed illustration.

Side mounted mirror, inc. bracket, RH	407-350	£243.20
Side mounted mirror, head only	407-347	£173.50
Replacement glass, convex	407-357	£16.10
Mounting bracket, RH	407-400	£71.10
Mounting bracket, LH	407-500	£71.10



TA & TC Screw, 2 required	323-090	£0.90
TD & TF Screw, 2 required	AJD2246	£0.70



WINDSCREEN MIRRORS

Give your T-series some real rear-view mirrors that are easy to install and can be removed quickly as well with no modifications to your car. The Moss R&D team have built these mirrors with available convex or flat mirrors to suit your vision comfort. Mirrors are sold individually and install to the windscreen pivot hardware using the existing wingnuts. Some minor assembly is required.

Windscreen mirror, convex, RH, each, TA-TF	165-511	£38.20
Windscreen mirror, convex, LH, each, TA-TF	165-512	£38.20
Windscreen mirror, flat RH, each, TA-TF	165-513	£38.20
Windscreen mirror, flat LH, each, TA-TF	165-514	£38.20



EASY FIT SIDE MIRROR BRACKET

The TA, TB and TC mirror bracket was screwed to the frame, if you wanted to fit the mirror to the left side of the windscreen frame on TD and TF models, holes needed to be drilled and tapped, but now our easy fit (no drilling required) bracket is suitable for right hand or left hand, fitting directly into the securing slot of the windscreen. Use with mirror head 407-347 to give you excellent rear visibility - even with a high mount luggage rack installed.

Easy fit side mirror bracket kit	407-488	£40.00
Side mounted mirror, head only	407-347	£173.50



WM1904

WING MIRRORS

Whether you fit the early Lucas type, round mirrors or the later Leyland, rectangular style, these period accessories will add that finishing touch.

Early Lucas long arm style (fixed type)

- Convex glass, chrome, RH..... WM1904..... **£16.60**
- Convex glass, chrome, LH..... WM1905..... **£16.60**



WM1907

- Flat glass, chrome, RH..... WM1906..... **£16.60**
- Flat glass, chrome, LH..... WM1907..... **£16.60**



GAM1001

- Flat glass, chrome, RH/LH, each, wing only... GAM1001... **£34.80**



GAM1001X

- Flat glass, chrome, RH/LH, each..... GAM1001X... **£35.80**



GAM117

Later 'rectangular' style (spring back type)

- Flat glass, chrome, RH/LH, each..... GAM118..... **£38.40**
- Convex glass, chrome, RH/LH, each..... GAM117..... **£38.40**



222-355

222-356

RAYDYOT REPRODUCTION MIRRORS

Raydyot mirrors were often bolted to racing and performance cars in the 1950s and 1960s. Their brushed aluminium design was extremely lightweight and strong. Moss has captured not only the distinctive look and character of the original Raydyot mirror, our aluminium reproductions also share the same performance advantages.

- Raydyot, flat glass, aluminium, satin, each 222-355 **£27.60**
- Raydyot, convex glass, aluminium, satin, each. 222-356 **£27.60**



- Alloy mirror, polished, RH/LH, each MT9314 **£27.60**

CARPET & CARPET SETS

We have a range of quality carpet sets in a variety of colours that are manufactured to high standards ensuring an excellent fit. Often using materials superior to those used for the original carpets. Where required, some of our carpet sets are moulded to follow the contours of the floor pan as per the originals.

We also offer underfelt kits, competitively priced budget carpet sets for some models and embroidered carpet overmats.

See page A24 & 59 for more information

GAC4608



GAC4609



AUXILIARY REVERSE & FOG LAMPS

Many classics were not originally fitted with reverse or rear fog lamps. These universal polished stainless steel lamps measure 55mm x 110mm (2" x 4.5" approx.) and can be easily fitted, ideal for mounting under bumpers etc... Fog lamps require an illuminated switch mounted visibly on the dashboard.

- Auxiliary fog lamp GAC4608 **£20.00**
- Auxiliary reverse lamp GAC4609 **£21.90**
- Replacement bulb, 12V 20W. GAC4608B **£3.50**



3H3058 (momentary)



GWW102X (momentary)



RTC430A (on/off)



GAE132G (on/off)

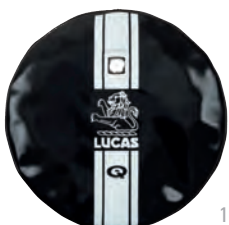
GENERAL SWITCHES

A range of period looking switches for general purpose use. Use a momentary switch for starters, horns, washers, and the 1 position for auxiliary lamps.

- Push button switch, momentary 3H3058 **£27.60**
- Toggle switch, momentary. GWW102X **£18.40**
- Toggle switch, on/off. RTC430A **£4.90**
- Pull switch, on/off, white illumination GAE132 **£20.00**
- Pull switch, on/off, green illumination GAE132G **£19.50**
- Pull switch, on/off, red illumination GAE132R **£19.50**
- Pull switch, on/off, yellow illumination. GAE132Y **£20.00**
- Fuse holder, in-line UKC4446 **£2.05**



162-705



162-706

SPOT/FOG LAMP COVER WITH LUCAS LOGO

This authentic 1950-60s style, vinyl spot/fog lamp cover features the Lucas lion logo, with a clear viewing window. Suitable for 6-7" diameter lamps.

- Lucas spot/fog lamp cover, 6", black, each. 162-705 **£47.40**
- Lucas spot/fog lamp cover, 7", black, each. 162-706 **£47.40**



GAC4601



GAC4619

SPOT & FOG LAMPS

Give your MG a classic rally look with our range of lamps, and see where you're going at night! The spot & fog lamps can be fitted with our range of lamp bars (see page A14). All use an H3 replacement bulb GLB453 and can be fitted using the universal wiring kit GAC4027.

- Angel eye spot lamps, 5.5", chrome, pair. GAC4601 **NCA**
- Angel eye fog lamps, 5.5", chrome, pair GAC4602 **NCA**
- Driving lamps, 5", stainless steel, pair GAC4619 **£54.60**



GAC4611



WPS6007

- Standard pattern spot lamps, 5.5", chrome, pair GAC4610 **£49.30**
- Standard pattern fog lamps, 5.5", chrome, pair GAC4611 **£54.00**
- Replacement bulb, H3. GLB453. **£4.20**
- Replacement bulb, H3 Xenon, 30% brighter, each. GLB453X **£9.90**
- Wiring fitting kit, universal. GAC4027 **£12.30**

Wipac 5.5" chrome plated driving & fog lamps, with tough plastic lens covers.

- Wipac driving lamp, pair WPS6007 **£31.30**
- Wipac fog lamp, pair WPS6078 **£31.30**



BHA4399



MM162-800



MM162-700

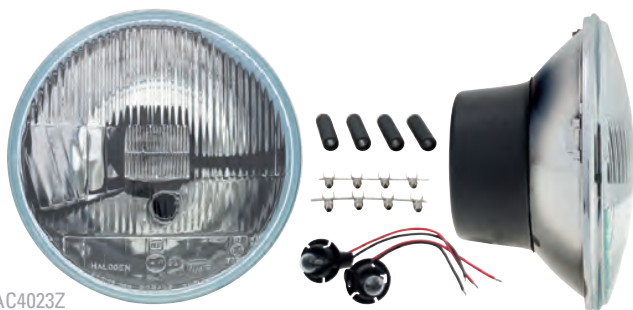
PERIOD STYLE LAMPS

These outstanding reproductions of the original Lucas L576 units are available as either a driving lamp with a clear lens or a fog lamp with a fluted lens in either a base or back mounting. Use a back mounted fluted lamp as a works style reverse lamp.

- Driving lamp with clear lens, 5.5", each MM162-700 **£85.00**
- Fog lamp with fluted lens, 5.5", front, each. MM162-800 **£85.00**
- Back mounted lamp with fluted lens, 5.5", each BHA4399 **£85.00**
- Back mounted lamp with clear lens, 5.5", each 57H5322. **£85.00**

Don't worry if your spot or fog lamp gets damaged we stock replacement glass lamp units, so you don't have to buy the whole lamp again.

- Replacement lamp unit with fluted lens, each ACG5179 **£39.40**
- Replacement lamp unit with clear lens, each 57H5015. **£41.10**
- Replacement bulb driving lamp, each GLB185. **£8.30**
- Replacement bulb fog lamp, each GLB323. **£5.20**



GAC4023Z

H4 HALOGEN HEADLAMP CONVERSIONS

Fitting modern halogen headlamps is one of the most worthwhile safety improvements you can make to your classic. Powerful halogen bulbs combined with improved lens design, result in a superior light beam and pattern. Replacement lens units are available, please see the Restoration section.

Wipac quad optic kits

- No pilot, RHD, pair GAC4022 **£44.50**
- No pilot, LHD, pair MGE203 **£61.90**
- With pilot, RHD, pair GAC4023Z ... **£54.60**
- With pilot, LHD, pair WPS4699 **£63.00**



GAC4023

Lucas H4 asymmetric kits

Genuine Lucas H4 asymmetric halogen lamp units, with a pilot light only.

- With pilot, RHD, pair GAC4023 ... **£110.00**
- With pilot, LHD, pair LULUB802 .. **£102.00**



Replacement bulbs

You can choose to fit the standard 60/55W H4 bulbs, or replace them with either uprated H4 100/90W or super white xenon bulbs. The super white xenon bulbs are approximately 30% brighter than halogen.

- H4, 60/55 watts, each GLB472..... **£5.40**
- H4, 100/90 watts, each, check regs. GLB484..... **£6.40**
- Xenon, H4, 60/55 watts, pair GLB472X **£10.80**
- Xenon, H4, 60/55 watts, blue tint, pair. GLB472BLU.. **£10.80**



HEADLAMP PROTECTORS

A thin, invisible layer of Lamin-X protects headlamps from stone chips and scratches, and keeps your lights looking new for years to come. Fits all 7" round headlamps. Sold as a pair. Lamp unit not included.

- Headlamp protectors, pair 162-695..... **£18.70**



506370X

LU554308

TRIPOD HEADLAMPS

Original equipment on early British cars. These Tripod style headlamps can be retro fitted to any suitable classic, but expect a reduction in light output. Suitable for period drives in the country on a warm summers evening. Tripod headlamps use BPF bulbs.

- Tripod headlamp assembly, RHD, each 506370X.... **£132.00**
- Tripod headlamp assembly, LHD, each..... 506372X..... **£96.00**
- Tripod lamp unit, RHD, each LU554308... **£102.00**
- Tripod lamp unit, LHD, each LU555296... **£89.10**
- Replacement bulb, RHD, each GLB414..... **£3.80**
- Replacement bulb, LHD, each..... GLB415..... **£7.10**



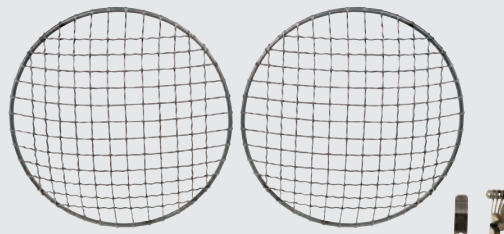
117-515

HEADLAMP RELAY KITS

Fitting halogen headlamps puts high loads on electrical components. These kits allow easy installation of relays into the headlamp circuit allowing for the high current circuit to be run through the relay.

Fitting relays in headlamp circuits protects your wiring and reduces the resistance in the circuit allowing full power to the lamps. Kits include relays and fittings. The single relay kit can also be used for wiring spotlamps, horns and other electrical accessories.

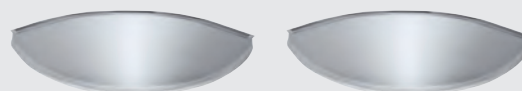
- Headlamp relay kit, 2 relay 117-515..... **£37.90**
(Inc: 2 relays, pre-wired relay holders, fitted terminals, fittings & instructions).
- Relay kit, 1 relay GAC4027 **£12.30**
(Inc: 1 relay, non-assembled wiring, terminals & fittings).
- PVC tubing, pre cut metre, black 504806 **£2.20**



CHROME HEADLAMP STONE GUARDS

Add some protection to your headlamps with these period chrome guards.

- Stone guards chrome clip fit, pair GAC8000X ... **£13.10**



CHROME HEADLAMP PEAKS

- Headlamp peaks, pair GAC7999X... **£15.60**

CAR COVERS

Protecting your cherished classic with a car cover will help to keep the paint, hood and brightwork in the best possible condition and safe from the elements. Whether you need a cover to keep the dust off your car whilst in your garage, a lightweight cover to take to the shows and occasional use, or a cover that provides excellent weather protection for cars kept outside all year round. Moss have the perfect car cover to fit your car!



236-016

Nylon lightweight cover

Tailored specifically to fit MG T-series cars, these light weight and compact covers are perfect for overnight use. When stuffed into their attached pouch, they measure only about 12" in diameter and 6" thick, but can be easily "squished" to about half that size.

Car covers must only be used on a dry car.

Nylon car cover 236-016. **£88.20**

WHEEL TRIM

Another popular accessory from days past were wheel embellisher trims. Fitted in seconds, these polished stainless steel trims instantly improve the appearance of steel wheels, without breaking the bank. Sold individually.

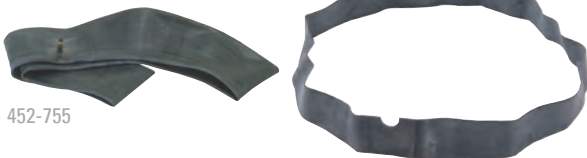
Wheel trim, 15", each, TD-TF 502160Z **£64.20**



WIRE WHEEL ESSENTIALS

Creating an air tight seal on a wire wheel can be somewhat difficult, making the use of inner tubes necessary and, to prevent the inner tube chaffing against the spoke nipples, the fitting of a rim band is highly recommended.

- Inner tube for 15" x 155/165 tyres 452-755. **£12.92**
- Inner tube for 15" x 175/185 tyres 452-765. **£20.00**
- Inner tube for 19" x 450/500 tyres, standard 454-410. **£76.13**
- Inner tube for 19" x 450/500 tyres, heavy duty. 452-785. **£53.70**
- Rim band for 15" wheels. 452-750. **£16.40**
- Rim band for 19" wheels. 452-760. **£23.00**



452-755

452-760

Loose fit indoor covers

Loose fitting indoor covers made from a soft non-scratch blue poly-cotton/ polyester mix material that is Scotchguarded making it damp and drip proof. Elasticated ends for a snug fit and door zips to allow easy access.

Car covers must only be used on a dry car.

Loose fit indoor cover GAC9501 . . . **£125.90**

Weatherproof outdoor covers

Our range of outdoor weatherproof car covers are manufactured from breathable fabrics. They feature double-stitched seams throughout, with neoprene elastic sewn into the front and rear hems. Fitted with reinforced, scratch-proof grommets for tying down. Car covers must only be used on a dry car.

Mosom Plus (2 year warranty)

Rain resistant, yet breathable, it features a multi-layer polypropylene fabric which remains soft and pliable in all weather conditions with a soft lining. Recommended for short-term outdoor use, ideal for use in outdoor covered areas such as car ports. It also works well for an upgrade indoor cover.

Car covers must only be used on a dry car.

Mosom Plus car cover 237-400. **£108.00**

Ultimate outdoor cover

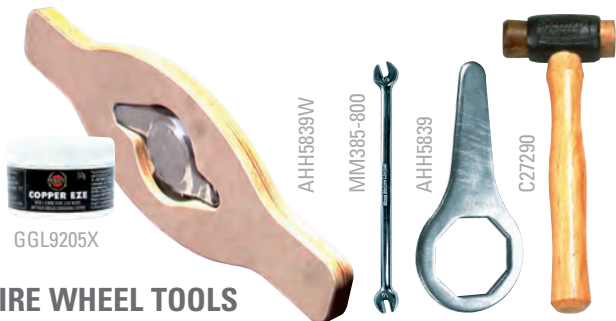
Ultimate car covers by Classic Additions use a specially formulated advanced nanotechnology formula which gives a unique water resistant coating ensuring long term protection for your classic. Fully waterproof, fully breathable, strong and stretchy. Manufactured in a discrete grey colour these car covers are suitable for use both indoors and outdoors.

Car covers must only be used on a dry car.

Ultimate outdoor car cover, size: S2 GAC95031 . . **£236.00**

WIRE WHEEL TOOLS

The use of a soft-faced hammer is essential if you do not want to damage chrome plated spinners when removing or fitting centre lock wheels. We have a choice of three soft hammers. Extra long spanners are also available, providing much greater leverage for spinners and therefore easier fitting. To help keep your wire wheels looking like new we recommend you use our specialist cleaning kit. We also supply a special lubricant to help keep the splines in good condition.



GGL9205X

AHH5839W

MM385-800

AHH5839

C27290



MM386-125

MM386-120

- Copper and hide hammer C27290 **£30.00**
 - Copper faced hammer 11B5166 **£25.30**
 - Spoke adjusting spanner MM385-800 . . **£11.90**
 - Short octagonal spanner. AHH5839 **£6.05**
 - Long octagonal spanner MM386-120 . . **£58.60**
 - Long spanner, 2-eared MM386-125 . . **£57.70**
 - Wooden wrench, 2-eared AHH5839W . . **£23.00**
 - Copper grease spline lubricant, 50g. GGL9205X . . . **£4.00**
- (This unique double ended knock-off wrench, made from plywood, slips over the spinner for easy tightening and removal of spinners. Will not work with centre laced wheels).



CENTRE LOCK SPINNERS

All our centre lock spinners are made from the highest quality materials and are precision engineered to ensure an accurate fit. We have three styles of spinner to choose from: octagonal, two or three eared. Two and three eared spinners can be fitted with either a hammer or a spanner, octagonal spinners require a spanner.

The basic rule for threads-per-inch (TPI) is, if you have replaced your splined hubs with new ones, then you probably need 8 TPI spinners but please check before ordering.



Note: Please check local regulations for eared spinners.

- 2-eared, 12 tpi, plain, RH. AHH7317 . . . £27.70
- 2-eared, 12 tpi, plain, LH. AHH7318 . . . £27.70
- 2-eared, 12 tpi, with MG logo, RH AHH7317A . . £27.00
- 2-eared, 12 tpi, with MG logo, LH AHH7318A . . £27.00
- 3-eared, 12 tpi, plain, RH. AHH73173 . . £50.00
- 3-eared, 12 tpi, plain, LH. AHH73183 . . £50.00
- Octagonal, 12 tpi, plain, RH AHH7315 . . £27.10
- Octagonal, 12 tpi, plain, LH. AHH7316 . . £27.10
- Octagonal, 12 tpi, with MG logo, RH AHH7315A . . £27.50
- Octagonal, 12 tpi, with MG logo, LH AHH7316A . . £27.50



WIRE WHEEL CONVERSION KITS

These kits will enhance the appearance of any TD and are identical to the original factory option for the TF. Our wire wheel conversion kits convert your disc wheeled TD or TF to wire wheels.

Each kit includes; four splined hubs, four brake drums, one spare wheel adaptor (with spinner) to convert spare wheel carrier to wire wheels, and all the studs, nuts, for an easy installation. We do not include wheels or spinners in the kits, allowing you to determine your own style.

Note: You will need 12tpi wheel spinners. For replacement components please refer to the Restoration section.

Wire wheel conversion kit, TD & TF 111-518. . . . £852.00



TYRE VALVE CAPS

These subtle and elegant nickel plated steel valve caps have an embossed MG logo.

MG logo valve caps, nickel plated, each. GAC1054X . . . £8.00

WWC452



454-795

WIRE WHEELS

An essential part of a British classic sports car's styling was the fitment of wire wheels. Whether fitted as standard or not, a set of chrome wire wheels will not only enhance the appearance of your car, but also the value.

Our wire wheel spokes and nipples are manufactured from stainless steel, with the chrome wire wheel spokes and nipples finished by chroming over the top in keeping with the rest of the wheel. They are available in different specifications; 48, 60 or 72 spokes, and a choice of classic chrome finish, or painted in wheel silver.

Depending on how you are intending to use your car, these wheels are available in standard or uprated specification. Before fitting your tyre choice, please ensure there is adequate clearance between the tyres and wheel arches.

Chrome finish wire wheels

- 19", 48 spoke, TA (c.1770 on) & TC 454-795. . . . £470.00
- 15", 48 spoke, standard, TD & TF WWC450 . . £254.20
- 15", 60 spoke, uprated, TD & TF. WWC452 . . £247.75



WWP450

WWP452

Painted finish wire wheels

- 19", 48 spoke, TA (c.1770 on) & TC 454-600. . . . £340.00
- 15", 48 spoke, standard, TD & TF WWP450 . . £180.00
- 15", 60 spoke, uprated, TD & TF. WWP452 . . £175.15

Please note: All wheels are sold individually unless otherwise stated.



MG HUBCAP

These MG hubcaps feature an attractive enamelled red medallion that sets off a steel wheel quite nicely.

Hubcap with MG logo, each. ACH8304. . . £29.30



MOTO-LITA STEERING WHEELS

Moto-Lita are among the finest replacement steering wheels available. Please see our website for the full list of options. All steering wheels listed here feature drilled spokes, except where detailed.

Wood rimmed steering wheels

- Mk3, flat, polished spokes, 13" MLW1115-13 .£198.00
- Mk3, flat, polished spokes, 14" MLW1115-14 .£198.00
- Mk3, flat, polished spokes, 15" MLW1115-15 .£198.00
- Mk3, dished, polished spokes, 13" MLW1116-13 .£198.00
- Mk3, dished, polished spokes, 14" MLW1116-14 .£198.00
- Mk3, dished, polished spokes, 15" MLW1116-15 .£198.00
- Mk3, flat, polished spokes with thin slot, 14" MLW1120-14 .£198.00
- Mk3, flat, polished spokes with thin slot, 15" MLW1120-15 .£198.00
- Mk3, flat, polished spokes with wide slot, 13" MLW1122-13 .£198.00
- Mk3, flat, polished spokes with wide slot, 14" MLW1122-14 .£198.00
- Mk3, flat, polished spokes with wide slot, 15" MLW1122-15 .£198.00
- Mk3, dished, polished spokes with thin slot, 13" MLW1125-13 .£198.00
- Mk3, dished, polished spokes with thin slot, 14" MLW1125-14 .£198.00
- Mk3, dished, polished spokes with thin slot, 15" MLW1125-15 .£198.00

Leather rimmed steering wheels

- Mk4, flat, polished spokes, 12" MLW1111-12 .£198.00
- Mk4, flat, polished spokes, 13" MLW1111-13 .£198.00
- Mk4, flat, polished spokes, 14" MLW1111-14 .£198.00
- Mk4, flat, polished spokes, 15" MLW1111-15 .£198.00
- Mk4, flat, black spokes, 13" MLW1112-13 .£198.00
- Mk4, flat, black spokes, 14" MLW1112-14 .£198.00
- Mk4, flat, black spokes, 15" MLW1112-15 .£198.00
- Mk4, dished, polished spokes, 12" MLW1113-12 .£198.00
- Mk4, dished, polished spokes, 13" MLW1113-13 .£198.00
- Mk4, dished, polished spokes, 14" MLW1113-14 .£198.00
- Mk4, dished, polished spokes, 15" MLW1113-15 .£198.00
- Mk4, dished, black spokes, 13" MLW1114-13 .£198.00
- Mk4, dished, black spokes, 14" MLW1114-14 .£198.00
- Mk4, dished, black spokes, 15" MLW1114-15 .£198.00
- Mk4, dished, polished spokes with thin slot, 13" MLW1126-13 .£198.00
- Mk4, dished, polished spokes with thin slot, 14" MLW1126-14 .£198.00
- Mk4, dished, polished spokes with thin slot, 15" MLW1126-15 .£198.00

Mahogany rimmed steering wheels

- Mk9, flat, polished spokes with thin slot, 14" MLW1119-14 .£300.00
- Mk9, flat, polished spokes with thin slot, 15" MLW1119-15 .£300.00
- Mk9, flat, polished spokes with holes, 14" MLW1119-14H £300.00
- Mk9, flat, polished spokes with holes, 15" MLW1119-15H £300.00



MOTO-LITA BOSSES & ACCESSORIES

Use the appropriate boss, supplied with plastic centre cap.

- With splined column, TA-TB & TC. MLW111724M. £114.00
- TD & TF. MLW1117B8 .£106.00



Where specified the boss kits are supplied with a plastic centre cap/horn push. Replacement plastic centre cap/horn pushes are available, or upgrade to a polished aluminium centre cap/horn push to enhance the look of your steering wheel, all feature a recess for a badge. Replacement ring and screw kits are also available.

- 1 Plastic centre cap MLW1117X1 .£13.40
- 2 Plastic centre cap/horn push. MLW1117X2 .£22.90
- Polished alloy centre cap. MLW1117BCC .£54.00
- 3 Polished alloy centre cap/horn push MLW1117BHP .£99.00
- Polished ring kit MLW1117X3 .£16.20
- Black ring kit MLW1117X3B .£19.20

LEATHER STEERING WHEEL COVER

This adjustable, high quality easy to fit black cover is tailored from genuine leather to fit 16.5" rims.



- 222-315 £85.44

454-240



454-231



262-315

ORIGINAL STYLE STEERING WHEELS

If you wish to retain authenticity for your T-Type, then look no further than our beautifully made Brooklands and original style steering wheels. For that finishing touch why not add the Brooklands spoke badge. We also supply Brooklands steering wheels in a new 15.5" size, meaning valuable extra cabin space, with slightly heavier, more nimble steering.



Brooklands & original style steering wheels & boss kits

- 4 spoke s/wheel, black, 17", TA to (c) 2881 454-225. £495.00
- 4 spoke s/wheel, black, 17", TA (c) 2882 on, TB & TC. 454-240. £420.00
- 3 spoke original s/wheel, 16.5", TD & TF 454-231. £313.90
- 4 spoke s/wheel, black, 16.5", TD & TF. 454-265. £384.00
- 4 spoke s/wheel, gold pearl, 17", TA (c) 2882 on, TB & TC. 454-258. £420.00
- 4 spoke s/wheel, gold pearl, 16.5" (TD & TF) 454-268. £384.00
- Bluemel's Brooklands spoke badge 262-315. .£37.20

Brooklands steering wheels

- Brooklands wheel, gold pearl, 15.5", no boss 454-203. £255.00
- Brooklands wheel, black, 15.5", no boss 454-213. £255.00
- Brooklands wheel, gold pearl, 17", no boss 454-205. £260.00
- Brooklands wheel, black, 17", no boss. 454-215. £285.00

Brooklands steering wheel bosses

- Brooklands s/wheel boss, TA to (c) 2881. 453-095. £264.00
- Brooklands s/wheel boss, TA to TC from (c) 2882. 453-205. £178.10
- Brooklands s/wheel boss, TD-TF 453-095. £264.00



TOURIST TROPHY STEERING WHEELS



Designed to complement your classic, these wheels are handcrafted to high standards. Available with the choice of either a sporty leather rim or a classic riveted wood rim with a variety of spoke designs and finishes; drilled or slotted in either matt alloy or black. The frames are made from high strength aluminium.

Leather rimmed steering wheels

- Drilled spokes, matt aluminium, 15" 489-020£135.00
- Drilled spokes, matt aluminium, 14" 489-030£135.00
- Drilled spokes, black, 14" 489-040£135.00
- Slotted spokes, black, 15" 489-050£135.00



Laminated wood rimmed steering wheels

- Drilled spokes, matt aluminium, 15" 489-060£170.00
- Drilled spokes, matt aluminium, 14" 489-070£170.00
- Slotted spokes, matt aluminium, 15" 489-080£170.00
- Slotted spokes, matt aluminium, 14" 489-085£170.00

Solid thick wood rimmed steering wheels

- Drilled spokes, matt aluminium, 15" 489-090£170.00
- Drilled spokes, matt aluminium, 14" 489-095£170.00

TOURIST TROPHY BOSSES & ACCESSORIES

The boss kits include a die cast alloy boss, and a horn push with a high quality chrome and enamel badge bearing a marque emblem. The centre cap/horn push is used for all applications. If your car has the horn push on the stalk simply use as a centre cap.

- Boss kit, MG logo, TC 454-318£103.80
- Boss kit, MG logo, TD & TF 454-328£112.00

The Tourist Trophy horn push is available separately to fit Moto-Lita bosses.

- Horn push with MG badge 905-646£30.10



WALNUT VENEER DASH KITS

- Walnut veneer dash kit, TA-TB. 456-885NCA
- Walnut veneer dash kit, TC. 233-635£241.80
- Walnut veneer dash kit, TD, RHD 233-530£314.26
- Walnut veneer dash kit, TD, LHD 233-645£258.60

Transform the interior of your classic with our hand crafted walnut veneer kits. Made individually by skilled craftsmen, using traditional coach building methods, with modern laser technology to ensure a perfect fit. These fine quality walnut veneered dashboards are authentic for earlier TC's, but certainly look appropriate when fitted to later cars. (All TD dashes are intended to be fitted with original style glove box trim).



MG ALLOY GEAR KNOB



This anodised staybrite alloy gear knob featuring the MG logo is suitable for all MG models with it's unique grub screw locating system.

- Gear lever knob, alloy, MG logo GAC0053£39.70

GAITER FINISHER KIT



Smarten up your gear stick with this easy to fit universal gaiter finisher kit. Some gaiters may require modification to fit. (Gaiter not included).

- Chrome gaiter finishing kit GAC9540£19.60



MG LEATHER & WOOD GEAR KNOBS

Our varnished wood, or comfortable leather gear knobs both featuring the 'MG' emblem. Supplied with a nylon, self threading insert for easy fitting.

- Gear knob, leather, MG logo, nylon insert GAC4045 . .£16.50
- Gear knob, wooden, MG logo, nylon insert GAC4048 . .£15.00

MG GRAB HANDLE



Add a touch of pre-war class in your classic with these elegant MG logo'd chrome plated handles.

- Grab handle, MG logo, each 229-101 . . .£28.36

LEATHER SEAT COVER KITS & SEAT COMPONENTS

Rebuild and re-trim your own seats with our seat kits and components. Cover kits, foams and components are all available to help you finish the job to a professional finish. See page 59 in the Restoration section for full details.



INTERIOR TRIM

We offer a complete range of interior trim and hoods for your T-Type, all manufactured by our craftsmen to exacting standards.

Interior trim kits

Our complete upholstery trim kits are designed to delight the purist. See page 58 in the Restoration section for full details.

COMPLETE LEATHER SEAT ASSEMBLIES

Ready to fit to your T-Type, these seat assemblies are built and trimmed by specialist craftsmen. See page 58 in the Restoration section for full details.



CARPET SETS

Our ready to fit carpet sets are manufactured from original style carpet and heel mats. See page 59 in the Restoration section for full details.



LEATHER CENTRE ARMREST

Leather armrests were a popular period accessory, they look great and improve the comfort of driver and passenger. Trimmed in leather to match our Moss interior kits, they take just minutes to install.

- Leather armrest, red, TD & TF. 245-015.£256.00
- Leather armrest, beige, TD & TF 245-035.£256.00
- Leather armrest, tan, TD & TF. 245-045.£256.00
- Leather armrest, green, TD & TF 245-025.£256.00
- Leather armrest, black, TD & TF 245-055.£256.00



PLUSH EMBROIDERED CARPET OVERMATS

Custom tailored plush embroidered mats look great at a great price and fit perfectly. Edges are bound for a tidy look. Rubber nibbed backing keeps mats in place. MG embroidered logo is 3 1/2" diameter. Supplied in black as a pair.

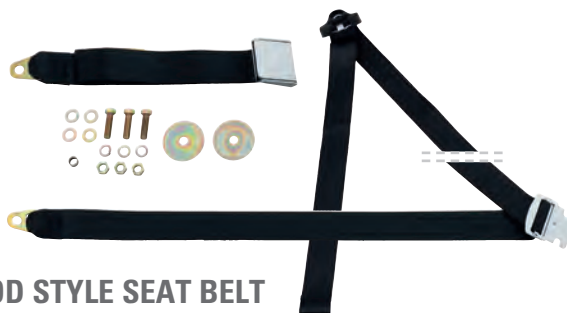
- Plush carpet overmat set, TC. 240-467.£56.00
- Plush carpet overmat set, TD & TF 240-751.£56.00



ULTRA PLUSH EMBROIDERED CARPET OVERMATS

Custom tailored for a perfect fit, these mats are made with an ultra-dense plush carpet and non-slip rubber backing. They are embroidered with a colourful 3-1/2" MG logo. Supplied in black as a pair.

- TC Ultra plush carpet overmat set, TC. 240-466.£121.30
- Ultra plush carpet overmat set, TD & TF. 240-750.£121.30



PERIOD STYLE SEAT BELT

This period style seat belt features a chrome catch and fittings. Note: Not 'E' marked, requires plates TT7968 and bolt spacer kit TT7969).

- Period style seat belt 222-205.£36.00



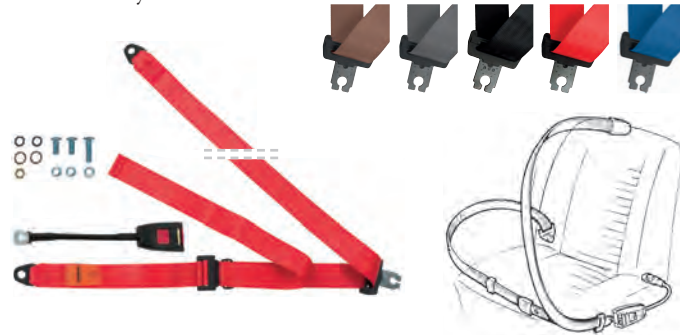
VINTAGE COMPETITION LAP BELT

The ultimate sporting accessory, ideal for early MG classics, it features a quick release buckle and includes fittings. This belt is not type approved therefore should only be used in cars that pre-date seat belt regulations.

- Vintage competition lap belt, each. 222-211.£111.30
- Vintage, 2 point, short receiver, bolt-in, each . . . 222-234.£36.00
- Vintage, 2 point, long receiver, bolt-in, each . . . 222-235.£36.00

SECURON SEAT BELT & HARNESS KITS / *securon* /

This is our range of Securon replacement seat belts to best suit MG T-Type models. All Securon seat belt products are 'E' approved for road use. As early MG's were not originally fitted with seat belts it is essential that the belts be fitted carefully and that the correct hardware is used. Please call Moss Bradford for advice. Each kit contains suitable bolts for each mounting point, but you will need to use the reinforced nut plates (Part No: TT7968) where necessary.



Type A: Static seat belts

This can be bolted to the upper mounting on the wheel arch, the end of the webbing is retained at the sill mounting, and the stalk is fitted to the tunnel. Once positioned the strap can be adjusted for length and fit on the over-shoulder section of the belt.

- Static seat belt, 30cm stalk, blackSBS300/30£33.10
- Static seat belt, 30cm stalk, redSBS300/30RED . . £39.90
- Static seat belt, 30cm stalk, beigeSBS300/30BGE . . £39.90
- Static seat belt, 30cm stalk, greySBS300/30GREY . £39.90



Type B: Automatic seat belts

The reel should be bolted to the lower inner side of the rear wheel arch and the guide at shoulder level on the wheel arch. The end of the webbing is retained at the sill mounting, and the stalk is fitted to the tunnel. The reel must be mounted vertically for the mechanism to operate correctly. This is the recommended inertia reel seat belt mechanism as it allows clearance for the hood frame when folded.

- Automatic/fixed seat belt, 30cm stalk, black . .SBS500/30£61.90
- Automatic/fixed seat belt, 30cm stalk, red . . .SBS500/30RED . . £61.90
- Automatic/fixed seat belt, 30cm stalk, beige . .SBS500/30BGE . . £61.90
- Automatic/fixed seat belt, 30cm stalk, grey . .SBS500/30GREY . £61.90
- Automatic/fixed seat belt, 30cm stalk, blue . .SBS500/30BLU . . £61.90



Seat belt extender

This can be used to safely extend the seat belt if required. It should only be bolted to the sill mounting position and then bolted to the eyelet on the end of the seat belt. It must not be used at any other mounting point. 'E' approved for road use.

- Seat belt extender.SBS227£21.40



Harness kits for road use - 'E' approved

These belts feature 2" webbing with bolt through plate mountings (use with bolts TT7969). Fully adjustable lap and shoulder straps with compact buckle catch. 'E' approved for road use.

- 3 point harness kit, black SBH628BLACK . £41.50
- 3 point harness kit, red SBH628RED . . . £41.50
- 3 point harness kit, blue SBH628BLUE . . . £41.50
- 4 point harness kit, black SBH629BLACK . £40.30
- 4 point harness kit, red SBH629RED . . . £40.30
- 4 point harness kit, blue SBH629BLUE . . . £40.30



These belts feature 2" webbing with clip-in snap hook mountings (use with eye bolts TT7967). Fully adjustable lap and shoulder straps with load spreaders on lap belts and a compact buckle catch. 'E' approved for road use.

- 3 point harness kit, black SBH605BLACK . £49.60
- 3 point harness kit, red SBH605RED . . . £49.60
- 3 point harness kit, blue SBH605BLUE . . . £49.60
- 4 point harness kit, black SBH655BLACK . £56.40
- 4 point harness kit, red SBH655RED . . . £56.40
- 4 point harness kit, blue SBH655BLUE . . . £56.40



Harness fittings

- Eye bolts, use with clip-in mountings, pair . . TT7967£13.30
- Bolt and spacer, use with plate mountings, pair TT7969 £7.10
- Nut plates, reinforced for fixing bolts, pair . . TT7968£11.00

BOOKS, MANUALS & DVDS

Owners handbooks

As supplied with the car from new. These reprints can be essential for day to day maintenance.

- TD..... 210-600 ... **£10.50**
- TF..... 210-700 ... **£10.50**

Factory workshop manuals

Reprints of genuine factory workshop manuals with essential information for all aspects of vehicle maintenance & repairs.

- MG Pre-war TC 210-100 ... **£69.00**
- TD-TF..... AKD580SC. **£27.50**

T-Type instruction manuals

These factory publications were the manuals issued for TA, TB and TC models. Although reasonably comprehensive, owners would be wise to supplement these manuals with the workshop manual by W.E. Blower, part no. 210-100.

- TA & TB instruction manual 210-480 ... **£30.00**
- TC instruction manual 210-500 ... **£19.50**

TD-TF crown wheel and pinion interchanges

This detailed step-by-step manual covers the process of converting the TD-TF rear axles to accept MGA or MG ZA/ZB crown wheel and pinions.

- Crown wheel and pinion interchange 212-350 ... **£11.00**

Haynes carburettor manual

This manual covers SU, Stromberg, Weber and Dellorto carbs. Giving an insight into the way they operate and how to maintain and tune them, as well as detailed overhaul procedures.

- Haynes carburettor manual MGL0279.. **£28.00**

Weber carbs: Tuning tips & techniques, by John Passini

This book is the distillation of many years experience of working with Weber carburettors. The mysteries of why and how they work and the practicalities of getting the best from them. Also setting-up, fault-finding, maintenance and repair are all covered.

- Tuning tips and techniques 213-431 ... **£11.50**

Tuning SU carburettors

This book looks into the basic design of the SU carburettor. It covers many areas including overhaul, tuning mixtures, jet and needle identifications and SU fuel pumps.

- Tuning SU carburettors..... MGL0070.. **£13.50**

SU workshop manual

Factory workshop manual covering both carbs and fuel pumps.

- SU workshop manual..... GAC1044X. **£17.60**

SU needle chart

The chart identifies the correct replacement SU needle when modifications have been carried out to the engine or induction.

- SU needle chart ALT9501 .. **£12.00**
- SU parts catalogue..... ALT9524 ... **£0.00**

Original series book, by Anders Ditlev Clausager

This book is the definitive guide to one of Britain's best-loved sports cars, the 'Original' series books are indispensable for all owners, restorers, buyers and enthusiasts.

- Original series book - MG-T..... MGL0350.... **NCA**

SU carburettor rebuild DVD

This 2 hour 40 minute video explains how to rebuild SU carbs.

- SU carburettor rebuild DVD..... 211-036 ... **£33.50**

Essential buyer's guide, MG TD-TF

Like having a real marque expert in your pocket. With this boos you'll be able to benefit from the authors years of MG TD & TF experience, learn how to spot a bad car quickly and how to assess a promising one like a professional. Get the right car at the right price.

- Essential Buyer's Guide, MG TD-TF.MGL0410. . **£10.00**

How to restore classic car suspension, steering & wheels

A step-by-step illustrated guide to restoring and improving the suspension, steering and wheel of your classic car. This easy to follow manual is fully illustrated and packed with useful tips and techniques to help you get the best from your classic car.

- How to restore classic car suspension, steering & wheelsMGL0394. . **£25.00**

MG Made In Abingdon

MG Made In Abingdon recounts the inside story of the famous factory, recognising that the most important aspect of MG's success was its team. Nostalgic and historically important, from memories of the production line, to racing incidents, a must for any MG fan.

- MG Made in Abingdon MGL0362.. **£15.00**

Rule Britannia, by John Nikas

With authoritative text from John Nikas and his team of dedicated researchers and contributors; historic imagery from archives maintained by marque clubs, manufacturers and museums; and modern portraits artfully captured in a studio setting by Michael Furman, the world's most renowned automotive photographer.

- Rule Britannia..... MGL0360.. **£75.00**

How to Restore Classic Car Interiors

The ultimate resource for restoring the interior of your classic car. Produced in close cooperation with the editors of Europe's largest vintage car magazine, OLDTIMER MARKT. Providing easy to follow guidance, helping you make your car interior look as good as new.

- How to restore classic car interiors... MGL0364. . **£25.00**

Classic Car Bodywork

A book written for the home restorer who, until now, lacked the confidence to tackle bodywork. With specially devised techniques which don't rely on workshop plant, this book spans the gap between professional and amateur.

- Classic car bodywork..... MGL0330. . **£25.00**

Restoration guide, T-Type

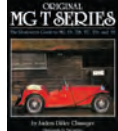
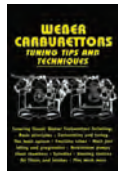
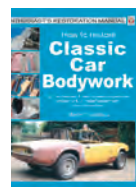
Restoration guide for the iconic T-Type, do it once, do it right with this essential guide.

- T-Type restoration guide MGL1102. . **£22.00**

Original Technical Publications Heritage USB

These publications have been carefully reproduced from the extensive historical archives in both England and the USA. Meaning you have access to the original Heritage publications needed to run and maintain your Heritage vehicle. Including parts catalogues, service manuals & owners literature. USB - Printable, searchable, zoom-able & bookmarked. Limited to 1 device. USB portable - Printable, searchable, zoom-able, bookmarked, offline capable & instant access.

- OTP MG collection USB HTP2013E..... **£134.17**
- OTP MG Collection USB portable. HTP2013USB **£175.00**
- OTP T-Type & MGA USB HTP2002E..... **£33.58**
- OTP T-Type & MGA USB portable. HTP2002USB **£46.75**





GAC44911

PISTON & TYRE T-SHIRTS

Exclusive to Moss and originally designed for our staff, we've had so many customers ask for them that we had to make more. Featuring a 'retro style' piston and tyre design and Moss logo, the t-shirts are made from 100% cotton and are available in three different colours in various sizes.

- Piston & Tyre t-shirt, black, medium GAC44911 . . . £12.00
- Piston & Tyre t-shirt, black, large GAC44912 . . . £12.00
- Piston & Tyre t-shirt, black, x-large GAC44913 . . . £12.00
- Piston & Tyre t-shirt, dark red, xx-large GAC44914 . . . £12.00
- Piston & Tyre t-shirt, dark red, medium GAC44921 . . . £12.00
- Piston & Tyre t-shirt, dark red, large GAC44922 . . . £12.00
- Piston & Tyre t-shirt, dark red, x-large GAC44923 . . . £12.00
- Piston & Tyre t-shirt, dark red, xx-large GAC44914 . . . £12.00
- Piston & Tyre t-shirt, dark grey, medium GAC44931 . . . £12.00
- Piston & Tyre t-shirt, dark grey, large GAC44932 . . . £12.00
- Piston & Tyre t-shirt, dark grey, x-large GAC44933 . . . £12.00
- Piston & Tyre t-shirt, dark grey, xx-large GAC44934 . . . £12.00



PISTON & TYRE HOODIES

These brand new hoodies are exclusive to Moss. Originally designed for Moss staff, we've had so many customers ask for them we've made another batch. Featuring a 'retro style' piston and tyre design and Moss logo, these hoodies are the perfect addition to your wardrobe for the winter months and crisp morning drives.

- Piston & Tyre hoodie, dark grey, medium GAC54941 . . . £24.00
- Piston & Tyre hoodie, dark grey, large GAC54942 . . . £24.00
- Piston & Tyre hoodie, dark grey, x-large GAC54943 . . . £24.00
- Piston & Tyre hoodie, dark grey, xx-large GAC54944 . . . £24.00



MOSS DRIVERS CAP

Get your style on with a Moss Drivers Cap. Sporting a Moss block logo, this flex-to-fit cap has a knitted construction and offers a snug fit against your head.

- Moss drivers cap 217-246 £14.60



CLASSIC FLYING HELMET & GOGGLES

Reproductions of the helmets and flying goggles worn by WWII pilots of the Royal Air Force. The pilot helmets are a premium grade brown leather, with a soft brown cotton lining. Featuring a forehead buckle and strap adjuster to ensure a close fit, opening ear flaps secured with a press stud fastening, and an under-chin strap, secured with a metal buckle.

The motoring helmets are a premium grade brown leather, with a soft brown cotton lining. Built-in peak to shade the sun and neck protector to stop the wind chills, with under-chin strap, secured with a metal buckle. Please see our website for help with measuring to find the right size.

The original RAF specification goggles are made with polycarbonate glass lens, grey/blue enamel frames, brown leather padding and elasticated headband.

- 1 Pilot helmet, leather, brown, small ALCFHL/S . . . £108.00
- Pilot helmet, leather, brown, medium ALCFHL/M . . . £108.00
- Pilot helmet, leather, brown, large ALCFHL/L . . . £108.00
- Pilot helmet, leather, brown, x-large ALCFHL/XL . . £108.00
- 2 Motoring helmet, leather, brown, small ALCFHLL/S . . £111.00
- Motoring helmet, leather, brown, medium ALCFHLL/M . . £111.00
- Motoring helmet, leather, brown, large ALCFHLL/L . . £111.00
- Motoring helmet, leather, brown, x-large ALCFHLL/XL . £111.00



- 3 RAF vintage goggles, MK8 ALCGMK8 . . . £96.40



BMC SERVICE & SALES T-SHIRT

The "retro style" is in fashion so show off your BMC loyalties with this 100% cotton t-shirt that features a logo based on the vintage dealership sign.

- BMC Sales & Service T-shirt, navy, medium . . . 013-705 £16.00
- BMC Sales & Service T-shirt, navy, large 013-706 £16.00
- BMC Sales & Service T-shirt, navy, X-large 013-707 £16.00
- BMC Sales & Service T-shirt, navy, XX-large 013-708 £16.00



DYNAMAT HEAT & SOUND INSULATION

We now stock Dynamat, a revolutionary range of products designed to keep your classic cool & quiet.



FOR FULL RANGE
visit moss-europe.co.uk

- Non absorbent materials.
- Self adhesive 'peel & stick'.
- Easily cut & moulded to fit.
- Isolates panel vibration.
- Reduces road noise.
- Reduces heat soak from engine & exhaust.

Dynamat Xtreme

A highly efficient, composite material designed to reduce noise, vibration & heat soak through panel work.

- Dynamat Xtreme, speaker pack GAC90511 . . . £15.00
(2 sheets of 254mm x 254mm (10" x 10")).
- Dynamat Xtreme, wedge pack GAC90512 . . . £30.00
(1 sheet of 457mm x 812mm (18" x 32")).
- Dynamat Xtreme, door pack GAC90513 . . . £80.00
(4 sheets of 305mm x 914mm (12" x 36")).
- Dynamat Xtreme, bulk pack GAC90514 . . £210.00
(9 sheets of 457mm x 812mm (18" x 32")).



Dynaliner

Dynaliner is an ultra-light weight, durable single layer insulation material that can be used as an alternative to traditional underfelt. It provides acoustic isolation and excellent thermal insulation.

- Dynaliner, 1/8" thick GAC90531 . . . £58.00
(1 sheet of 813mm x 1372mm (32" x 54")).
- Dynaliner, 1/4" thick GAC90532 . . . £85.00
(1 sheet of 813mm x 1372mm (32" x 54")).
- Dynaliner, 1/2" thick GAC90534 . . £110.00
(1 sheet of 813mm x 1372mm (32" x 54")).

Hoodliner

Designed specifically for under bonnet insulation, Hoodliner absorbs engine noise to help keep your car quieter. The aluminised skin creates a water & oil barrier that reflects up to 97% of heat to protect the bonnet's paint.

- Hoodliner GAC90541 . . . £85.00
(1 sheet of 813mm x 1372mm (32" x 54")).



BMC AUTHORIZED DEALER SIGN

Multi-coloured screen printed sign, perfect replica of the original.

- BMC Authorized Dealer sign 214-320 NCA



MG PARKING SIGN

Stay dry and show off your favourite classic car marque with our umbrella displaying the MG logo.

- Parking sign with MG logo GAC8032X £32.70



FLAG WITH MG LOGO

Show off this classic car marque with one of our flags. Measuring 3' x 5' & displaying the MG logo.

- Flag with MG logo 214-710 £26.10



UMBRELLA WITH MG LOGO

Stay dry or out of the sun with our umbrella displaying the MG logo.

- Umbrella with MG logo 214-740 £21.00



SUN CATCHER WITH MG LOGO

Decorate your home and show off your favourite classic car marque with one of our sun catches displaying the MG logo.

- Sun catcher with MG logo 214-720 £3.90



SOFTEK KNEELING PAD WITH MG LOGO

Protect your knees from the discomfort of gravel and hard floors with this kneeling pad displaying the MG logo. Measures 11" x 15".

- Softtek kneeling pad with MG logo 214-700 £14.50



INSULATED COOL BAG WITH MG LOGO

Keep your sandwiches and drinks cool on those long country drives with this insulated cool bag displaying the MG logo.

- Insulated cool bag with MG logo 214-690 £12.00



BAR STOOL WITH MG LOGO

Ideal for when you're having a well earned 'cuppa' in the garage. 14" easy clean vinyl seat with 30" high chrome plated legs.

- Bar stool with MG logo 231-800 £84.70



LEATHER KEY FOBS

Made in England, with a stitched leather fob and a high quality enamelled badge, featuring the various logos.

- 1 Union flag GAC4042 £3.80
- 2 BMC rosette CRSP401 £3.80
- 3 MG, brown/cream GAC4037BRC . £3.80
- 4 MG, black/chrome GAC4037BLC. . £3.80
- 5 MG, red/chrome. GAC0055 £9.40
- 6 MG, black/white. GAC4037BW . £3.80
- 7 MG, red/cream GAC4037RC. . £3.80
- 8 MG, embossed, black GAC9840X NCA



EMBROIDERED PATCHES

- 1 MG octagon, small 229-500 £4.50
- MG octagon, large 229-505 £11.20
- 2 British Leyland GAC9960X £4.90
- 3 Union flag 229-510 £2.70
- 4 BMC GAC9961X £4.90

EARRINGS WITH MG LOGO



Quality enamelled miniature earrings, with the marque logo.

- Earrings with MG logo GAC9940X . . . £17.80

WORKSHOP APRON

Ideal for those messy jobs, like engine building. This apron has adjustable straps and three large pockets.



- Workshop apron with MG logo GAC9937X . . £22.50



12 VOLT SUPPLY

This 12 volt supply or cigar lighter is a useful addition to your classic's interior. It is suitable for use as a 12V power socket for in-car accessories such as Sat Nav or simply for lighting your cigars.

- 12 volt supply AHH7010 . . . £20.00



219-816 219-817 219-818

MG LOGO PEAK CAP

These high-quality caps feature a puff embroidered MG Octagon logo. The tan and black caps have a seamed front panel that creates a firm formed appearance, while the white hat has a soft crown for a more rounded soft appearance. All three caps provide a deep low fit that allows them to stay on at high speed, and feature an adjustable Velcro closure. 100% cotton.

- Soft crown, white/navy, MG 219-816. £17.90
- Firm front panel, tan/green, MG. 219-817. £17.90
- Firm front panel, black/white, MG 219-818. £17.90



231-370 231-375

WATERPROOF BLANKET

These waterproof blankets bring a touch of comfort to any roadside picnic. Neatly folded into a parcel, it can be easily stored and carried with its durable handle. They are manufactured from grey acrylic with a foam layer and waterproof PEVA backing. Size 51" x 70".

- Waterproof blanket, grey, Moss logo 231-370. £29.60
- Waterproof blanket, grey, MG logo. 231-375. £29.60



PERSONAL HEATED FLEECE BLANKET

The comfy cruise 12 volt heated travel blanket is the ideal travel companion for all weather conditions. Offering both comfort and warmth, its 42" x 58" size is large enough for two people and is perfect for warming one bench seat or two bucket seats at a time. The blanket features an 8 foot long fused cord and automatic temperature control. Made of 100% high quality polyester fleece.

- Personal heated blanket, 12 volt 002-842. £38.20



230-951

GAC1056X

WINE & BEER GLASSES

Enjoy your favourite drink from these glasses bearing the MG Octagon logo. Perfect for those show picnics and summer evening barbecues.

- Pint glass set, MG logo, set of 4 230-951. £19.20
- Wine glass set, MG logo, set of 4 GAC1056X . . . £23.00



VINTAGE SCREW JACK

Identical to the jack specified as original equipment on many vintage cars.

Safety Note: Once the car has been jacked-up, It is advisable to support the vehicle properly before you start working beneath it.

Screw type jack with handle. AHH5124K. .£145.60



TOOL ROLLS

Vintage style tool roll

This heavy duty canvas tool roll features top & bottom tool retaining flaps, adjustable leather tool loops and buckle strap

Vintage style tool roll. 385-910. £63.60

MM647-100



Tool rolls

We offer two styles of small tool roll ideal for your mobile tool kit. Both manufactured from vinyl backed hessian material, with stitched tool pouches and a tie strap. We also offer a larger tool roll manufactured from hardura.

Tool roll, small, 8 pouches. ACG5247 £37.90

Tool roll, small, 9 pouches & flap. MM647-100 . . £43.70

Tool roll, large, 8 pouches GAC8418X . . . £56.20



AHA5506

Jack bags

A jack bag keeps your jack and any associated tools together, also helping to prevent damage to the boot area panel work. Manufactured from hardura and featuring a folding flap and tie straps. Suit most common sizes of scissor jacks.

Jack bag side flap with tie straps AHA5506 . . . £43.30

Jack bag end flap with buckles. AHH6540 . . . £40.90



231-160

231-160 (Self-build kit)

DIE CAST METAL MG-T MODEL KITS

Ever wanted to replicate your classic in 1/24 scale? Well now you can with these die cast metal MG-T Model Kits. These kits include precision cast metal parts and full assembly instructions which should take less time to build than your actual car! The models can be glued or soldered together and make a fine ornament for your home or garage. Paints not included.

Die cast metal MG T-Type model kit, TC 231-280. . . . £97.90

Die cast metal MG T-Type model kit, TD 231-160. . . . £72.10

Die cast metal MG T-Type model kit, TF 231-260. . . . £72.10



UNION FLAG

Made from lightweight polyester complete with metal grommets on the hoist. Ideal for those continental get-togethers.

Union flag GAC9939X . . . £23.90



SEAT BELT SHOULDER PAD

Easily installed, these shoulder pads add both comfort and flair. Sold as a pair.

Seat belt shoulder pad, red MG logo 231-300. . . . £27.00



1 2 3 4

THERMAL MUGS

Our stylish new range of thermal mugs will maintain your drinks temperature whether hot or cold. Desk mugs feature a wider design with handle. Travel mugs are a slimmer design to suit most in-car cup holders. Both types feature a non-slip base and a removable cap.

1 Travel mug, MG logo. 230-856 £17.30

2 Travel mug, Union flag 230-946 £17.30

4 Desk mug, Union flag 230-947 £17.30

Ordering Information

Notification of prices

Due to the volatility of world markets and currency fluctuations the prices in this catalogue are subject to change. Moss make every attempt to keep prices competitive and stable, however in common with all other suppliers in our industry, we reserve the right to alter these prices without prior notice.

For the latest prices, please visit our website moss-europe.co.uk. All prices are per unit (unless otherwise stated) and include (UK) VAT at 20% (where applicable) and are correct at the time of going to print. Postage and packaging is not included. E&OE. Where the price is replaced with NCA this part is Not Currently Available. Please visit our website moss-europe.co.uk or call our sales staff for the latest availability information or to enquire if we can offer an alternative part.

Product supersessions

Moss Europe's policy is to detail the most up to date part information in our catalogues. Where possible parts are kept to original specification. However, in some instances we have to supersede to the most viable alternative product to maintain supply and keep cars on the road. Every effort is made to ensure high quality products.

UK ordering

We accept orders by mail, telephone, e-mail, fax and on-line at moss-europe.co.uk. If you have the opportunity, we invite you to visit one of our branches. Remember, supplying details of your car, (i.e. engine, commission or Vehicle Identification Number (VIN) LHD or RHD, year of manufacture and any modifications) saves time and helps us to help you. Please inform us of your customer number, as this will speed up the processing of your order.

Overseas ordering

We accept orders by mail, telephone, e-mail, fax and on-line at moss-europe.co.uk. If you visit the U.K. please come and visit one of our branches. When ordering, please ensure that you enclose full details of your name, address and customer number, plus details of your car (i.e. engine, commission or Vehicle Identification Number (VIN) LHD or RHD, year of manufacture and any modifications).

Please note: Overseas orders are often subject to local import duties, taxes and Customs clearance, which will need to be paid for at the point of entry. These charges are NOT included in the price of the goods or delivery prices. All relevant Customs forms and documentation needed to ensure the order arrives with the minimum of delay, will be included with your shipment. If you have any special requirements, please contact us to discuss them. Delivery charges are dependent upon the size and weight of the shipment. If a quotation is required prior to placing an order, please contact the export department at your chosen branch and they will be pleased to supply a full quotation.

Parts back-order system

A back-order system is used when a part is not in stock at the time of ordering. If the item is expected to become available within 6 months, then it will be put on back-order, unless the customer instructs us otherwise. When we have the parts in stock, the back-order will be processed automatically and the item will be dispatched to the customer. If the particular part becomes No Longer Available (NLA) or does not become available within 6 months the back-order will be cancelled. If you are unsure when you placed a back-order contact your local branch.

Dispatch & delivery methods

Orders for delivery in the UK may be dispatched by regular post for small/lightweight items, larger items may be dispatched via a courier. Please call us or visit our website for the best delivery option for your order and the latest delivery prices. For delivery outside the UK we offer the following services.

- Economy delivery (by road): 2 to 5 days (approximately).
- Express delivery (by air): 1 to 2 days (Guaranteed) - next day service to most countries.
- We also offer an Airmail packet service but this is limited to low value orders, delivery times vary from 5-14 days depending on your location.

For these services, please ask for prices and the best delivery option when you place your order. Most deliveries (except airmail) are 'trackable', (inc: e-mail updates and internet access for selected carriers). Please remember, all carriage charges are dependent on weight band, volume, destination and delivery time. If a quotation is required prior to placing your order, please contact a member of the sales department. Alternatively, you can arrange your own delivery and dispatch.

Windscreen delivery information

We always suggest that windscreens should be collected from one of our branches to ensure you are able to transport your glass with the utmost of care. However, we understand that this is not always possible. To minimise the possibility of damage to the windscreen in the shipping process, it is now Moss Europe's policy to ship windscreens packed in a specially designed heavy duty 'Tri-Wall' cardboard box. The price of this box is £35.00 (Ex VAT), non-refundable and is not included in the price of the product. The crate's dimensions will also increase shipping costs, particularly in EU countries. The crate dimensions are 150cm x 33cm x 74cm. The maximum volumetric weight is 92kgs. For more information please contact your nearest Moss branch.

Hazardous goods delivery information

At the time of going to print, Moss Europe Ltd. Conforms to international shipping regulations regarding packaging and transportation of Hazardous Goods by road and sea freight (only). Due to these international shipping regulations and licencing rules all goods deemed as Hazardous are currently available for shipping to the UK and Europe only. If you place an order containing Hazardous goods and your shipping address is not in the UK or Europe, we will not be able to ship this item to you. Please contact your local branch or visit our website moss-europe.co.uk for the latest delivery information of Hazardous goods.

Quotations & payment methods

We will be pleased to provide a full parts quotation detailing price, availability and relevant shipping costs. Payment may be made by cash, personal cheque (to the card guarantee limit), Certified Bank Draft, Sterling Traveller's Cheques and credit or debit card including: Mastercard, Visa, Delta. If you intend to make payment by Cheque or Bankers Draft when

using our fast mail-order parts service, please confirm parts availability and carriage charges. We can accept payments using PayPal for website, email and phone orders.

Value added tax (VAT)

Value Added Tax (VAT) at the current UK rate of 20% will be levied on all orders being dispatched to countries within the UK, including Northern Ireland. Shipments to countries outside the UK, including all EU countries, will not be charged VAT.

Our UK website will only take payment in GB pounds (£).

Exchange units

We are able to offer a full rebuild service on numerous major components in our product range. We offer this service as an alternative to direct replacement parts, or when a brand new item is no longer available. However, the continuity of this exchange scheme needs the understanding and co-operation of our customers in relation to several important points: It is important to remember that "rebuilt" does not mean "brand new". Rebuilding a unit involves stripping, cleaning, inspecting and re-assembling the unit. During this process, parts showing signs of wear will either be completely replaced or suitably renovated. However, it is not always feasible for major sub-components to be replaced with brand new ones, for example, an exchange engine will not have a new block. Due to the nature of certain product lines, some items can only be offered on a "one for one" exchange basis. This effectively means that you must offer us a viable unit before we can release a fully rebuilt item from our stock. In some instances we can only carry out reconditioning of your own unit. Our staff will inform you if this is the case.

All exchange units are subject to a surcharge. This surcharge serves two purposes; firstly, it acts as an incentive for you to return your old unit, and secondly it provides us with financial cover if your returned unit proves unsuitable for exchange purposes.

Whether or not your returned unit is suitable for exchange purposes cannot be ascertained until it is made available to us for inspection. As a general rule, suitable for exchange basically excludes any items that are beyond reasonable repair (e.g. crankcases pierced by a connecting rod) or units irrevocably damaged. We are also unable to accept units unless they are returned in whole, complete form (i.e. differential units which are returned partly stripped with no bearings and all the shims missing are not generally accepted), nor do we accept a "box of bits".

Surcharges will only be refunded once our core department has passed the item as serviceable. Under no circumstances can any exchange unit be shipped overseas until we receive your original unit. We have predetermined prices for our exchange units based on our experience of repair costs for a gearbox, axle or engine. Occasionally, however, the damage to the unit is so great that we will contact you before beginning work on your unit to advise you of any additional cost that may be incurred during the rebuild of the unit. We can return the unit (at your cost) if this proves unacceptable.

'Old unit' returns

Exchange items including reconditioned engines are subject to a surcharge that is refunded when a rebuildable unit (core) is returned. When you receive the rebuilt unit, attached to it will be a Core Return Authorisation Tag. This tag must be removed from the rebuilt unit and attached to the returned core in order to receive credit. Cores must be returned within 90 days of purchase in the original box, carton or engine cradle supplied with the rebuilt unit. Cores must be shipped clean and empty of fluids. Cores must be complete, assembled and rebuildable to receive credit or refund. You must pay all shipping charges for the return of the core and these charges are not refundable.

Warranty

All parts are warranted against defects in materials and workmanship for a period of twelve (12) months from the date of purchase. The warranty does not cover failure resulting from incorrect installation or misuse; failure during any competition, motorsports or track events; failure of any, or caused by any, related component. The warranty does not cover labour charges, nor will a warranty settlement be greater than the cost of the original component. Should you need to make a warranty claim, please contact us immediately at the branch of purchase. We will then advise you as to the best course of action. With all warranty claims a copy of the original purchase invoice must be produced.

Warranty returns

Parts that fail in use may be returned for 12 months from the date of purchase. Returns must be accompanied by the original invoice - no warranty claims will be paid without a copy of the original invoice. Return freight will be reimbursed. Electrical parts returned for warranty will be tested and if found functional, no return credit will be given and the part will be returned. Reimbursement is made by the original payment method. Complete the return form included in each order, pack the items securely and use the shipping return label supplied.

Non-warranty returns

All uninstalled parts, in their original packaging may be returned within 90 days for any reason. A copy of the original invoice or the picking label (which is generally attached to the original packaging) must accompany the return. Return freight is paid by the customer. If the return is due to our error, the return freight will be reimbursed. Parts returned outside of this policy or in non-resalable condition may not be accepted or may be assessed a 15% handling fee. Reimbursement is made by the original payment method. Complete the return form included in each order, pack the items securely and use the shipping return label supplied.

Customer service

We value your custom and wish to ensure that you receive the very best service. Every effort will be made to provide you with Quality Parts and Expertise in a relaxed, helpful and friendly manner. Should you consider the service you receive from us to be unsatisfactory, or you have any problems with the part(s) purchased, please advise a member of the sales team at the originating branch. If the matter is not resolved to your satisfaction, please contact our Customer Services Department and we will do our very best to resolve the issue, either email: customerservices@moss-europe.co.uk or write to: **Customer Services, Moss Europe Ltd. Unit 16, Hampton Business Park, Bolney Way, Feltham TW13 6DB**

British Motor Heritage

Moss Europe Ltd. Is a British Motor Heritage approved specialist. Our agreement with British Motor Heritage allows us the use of marque logos and some of the artwork contained within this catalogue.



'T' Type Production Data and General Information

TA

Production Period: June 1936 - April 1939

Car Numbers: TA0251 - TA3253

Abingdon Production: At this time Abingdon was virtually no more than an assembly plant and all items such as chassis, engines, transmissions were shipped into the plant from other Nuffield owned factories.

TB

Production Period: May 1939 - September 1939

Car Numbers: TB0251 - TB0629

Autumn 1938: Leonard Lord, rationalising parts usage in Morris production, announced the new XPJM engine from Morris Engines. The 1250cc XPAG unit was adapted from this model replacing the overhead camshaft Wolseley units originally destined for the TA.

TC

Production Period: November 1945 - November 1949

Car Numbers: TC0251* - TC10252

1945	17th September - 21st December	TC0251 - TC0351
1946	17th January - 31st December	TC0352 - TC2051
1947	17th January - 31st December	TC2052 - TC4411
1948	5th January - 24th December	TC4412 - TC7502
1949	5th January - 29th November	TC7503 - TC10251

February 1945

Cecil Kimber, 56 years old, was killed in a railway accident just near Kings Cross Station, London. He had been manager of MG from 1923 until 1941 when he left after a major row with Miles Thomas, then managing director of Nuffield Group. Kimber had been the inspiration behind the first special bodied Morris bull-nose cars carrying the MG badge.

Purchase Tax

This new tax was introduced following the war to fund the rebuilding of Britain, pushing the cost of new MG's up to high levels.

Export Drive Begins

In 1947 Abingdon officially began exporting MG's to the USA. All early exports to the US were RHD because of the difficulties of conversion. Only 20% of the total TC production was officially exported to the USA. *TC0251 appears to have been the prototype model TC and is often not counted in TC production figures.

TD-1

Production Period: November 1949 - August 1951

Car Numbers: TD0251 - TD9158

1949	10th November - 20th November	TD0251 - TD0348
1950	2nd January - 22nd December	TD0349 - TD5169
1951	1st January - December	TD5170 - TD12577

TD-2

Production Period: August 1951 - September 1953

Car Numbers: TD9159 - TD29915

1952	1st January - 31st December	TD12578 - TD23634
1953	1st January - 17th August	TD23635 - TD29915

TD-2 & TD MkII

The TD-2 was the standard production car from September 1951 through 1953 and should not be confused with the TD MkII which had been developed and sold in limited numbers. The MkII was really intended for competition use only. The rare TD MkII was fitted with large valves in the cylinder head, 1 1/2" carburettors, twin fuel pumps and additional Andrex friction dampers.

Chassis Numbers

Traditionally, all new MG models began with the chassis number 251. Abingdon 251 was in fact the factory's telephone number. Once taken over by BMC this traditional and delightful practice was stopped, perhaps in an effort to prove to Abingdon that they were now no more than a subsidiary of the mighty BMC empire. In 1955, proving otherwise George Eyston and Ken Miles, using the new MG XPEG 1466cc TF engine, took eight endurance records in Utah. It proved to the world that MG, though now a poor relation of BMC, still had what it took when it came to competing against all-comers.

TF

Production Period: October 1953 - May 1955

Car Numbers: TF0501 - TF10100

1953	17th September - 31st December	TF0501 - TF2177
1954	4th January - 30th December	TF2178 - TF8643
1955	4th January - 4th April	TF8644 - TF10100

Once Again

As was the case with the TD, the new TF was put together in just 2 weeks, this time by John Thornley and Syd Enever, following their failed attempt to talk Leonard Lord into providing funding for a replacement TD. Soon after, following widespread criticism of the new TF, funding was provided to produce the MGA.

November 1954

Conversion of the XPAG to XPEG engine: Fitting of the 1466cc XPEG engine occurred in small batches During November 1954. The XPEG unit was initially sold in North America only. The British public, although hearing rumours of the larger engine's production, had to be content with buying the old model 1250cc XPAG engine until production stopped.

TF6501 - TF6650	(1466cc)
TF6651 - TF6750	(1250cc)
TF6751 - TF6850	(1466cc)
TF6851 - TF6950	(1250cc)
TF6951 - TF10100	(1466cc)

A Brief History Of The Development Of The 'T' Type.

H.N. Charles develops new TA at Cowley guided by Cecil Kimber. (Authorised & developed in 1935-36).

Chassis: Under slung style copied from the 1920's French design (first used on C type Montlhery Midgets of 1931).

Engine: Based on Morris's 1292cc side valve unit, cork faced wet clutch, four-speed gearbox without synchro.

Suspension: Half elliptic springs front and rear with Luvax shock absorbers.

Brakes: First Midget fitted with hydraulic brakes.

August 1938: Announcement of the Tickford Drop-Head Coupé with folding hood.

TB introduced May 1939 using TA body and chassis but with new XPAG engine, dry plate clutch, revised gearbox (with synchromesh on 2nd gear), 5:12:1 rear axle. Only 379 models were produced before onset of World War II. Abingdon turned its hand to war production.

November 1945 introduction of the TC. War production ceases and Abingdon returns to motor vehicle production. The body shell was based on pre war TA/TB model, but widened by 4" (similar to Tickford TA shell). Single 12-volt battery introduced. Luvax/Girling front shock absorbers fitted.

Exporting to the United States of America: TC7380 first USA official export model built in December 1948.

First TD mock up produced by Syd Enever and Alec Hounslow in two weeks during 1949. It was cobbled together using a YA type chassis (cut and shut) and heavily hammered TC body. Engine as per TC but gearbox used a new gearbox extension. Front Suspension altered to coil spring (a la YA, Morris 10 series M, MGA and MGB). Hypoid rear axle fitted. Rack and pinion replaced steering box. Pressed steel wheels fitted to take account of new suspension geometry. Two leading shoe front brakes installed. First batch of TD's was followed by the inclusion of tubular steel scuttle support to counter scuttle shake. Body extensively altered but similar in appearance to TC. Bumpers fitted.

Summer 1950, perforated wheels fitted as standard.

TD MkII introduced (August 1951).

Improved XPAG engine installed (engine XPAG/TD/9408 onwards). 8" clutch fitted with new flywheel and gearbox housing.

Engine XPAG/TD/14948 increased capacity sump pan fitted.

New style round tail lamps fitted from chassis number TD21303.

Rod control clutch linkage fitted from chassis TD22251 on.

Centre mounted wiper motor fitted at chassis number TD22315. (Fitted as safety feature).

From engine XPAG/TD/24116 new camshaft fitted to improve power.

The TF 1250 ran on the last modified TD chassis using TD running gear and components, but with raised gearbox final drive. Centre lock wire wheels became an option (theoretically this had become possible for the TD so long as the new TF-style hub and fittings were used). Perforated disc wheels were standard. New style grille accompanied altered bodywork. Sealed in headlamps completed the newer shape. Individual seats were finally adopted. Wiper motor hidden under fascia with scuttle-mounted wipers.

XPEG engine introduced gradually in November 1954 (see notes below # and conversion chart left *).

The new XPEG engine: First introduced at chassis number TF6501 in November 1954. The new XPEG engine had been designed, during the early fifties, by Morris Engines Branch. Boring out the XPAG engine was considered impossible as it had already been increased in capacity from 1140cc and the cooling system would be unable to dissipate heat from the block quickly enough if further change were made. A revolutionary new approach was used to redevelop the entire cylinder block and alter the cylinder head. Once designed, sufficient stocks of the engine were built up before being introduced to the Abingdon assembly lines in batches during November 1954.

Late TF (chassis number TF10100 engine XPEG/TF/3940) produced on 4th April 1955.

Catalogue Contents

Ordering information..... Page 01
 Production Data Page 02
 Identifying Your Car Page 02
 Catalogue Contents & Location Of Serial Numbers . Page 03
 Parts Index Pages 04 & 05

Engines & Components (See also Clutch)

Engine Mountings & Stabilisers Page 06
 JR Supercharger Kit Page 06
 External Engine..... Page 06
 Cylinder Block Fittings & Cylinder Head Page 06
 Oil Pump, Sump & Oil Filter Page 06
 Timing Cover & Engine Plates..... Page 06
 Inlet & Exhaust Manifolds Page 06
 Internal Engine Page 08
 Crankshaft, Con Rods, Pistons & Cylinder Liners . Page 08
 Rocker Shaft, Valve Springs & Valves Page 08
 Camshaft & Timing Gear..... Page 08
 Engine Gasket Sets..... Page 08

Cooling System

Radiator & Fittings Page 10
 Oil Cooler Kits..... Page 10
 Water Pump, Fan, Thermostat & Hoses Page 11

Clutch System

LHD To RHD Steering Conversion Parts, TD & TF . Page 12
 Clutch Drive Components & Flywheel Page 12
 Pedal Fittings, Operating Shaft, & Cables Page 12

Gearbox

Gearbox Components & Propshaft, TB & TC Page 14
 Gearbox Components & Propshaft, TD & TF Page 16

Fuel System

(For Inlet Manifold See 'External Engine')
 Carburettors & Components, (All Models) Page 18
 Air Cleaners Page 19
 Fuel Pump & Control Cables..... Page 19
 Fuel Tank, Pipes & Fittings..... Page 20

Exhaust System

(For Exhaust Manifold See 'External Engine')
 Exhaust System, (All Models) Page 20

Road Wheels & Tools

Road Wheels, (Standard) Page 21
 Wire Wheel Conversion Kit, TD & TF..... Page 21
 Roadside Tools & Equipment Page 21

Brake System

(For TD & TF Brake Drum Illustration See 'Front Suspension')
 Brake System, (Handbrake & Hydraulic), TA-TB & TC . Page 22
 Brake System, (Handbrake & Hydraulic), TD & TF . Page 23

Steering

TA-TB & TC, (Inc. Tompkins Steering Kit) Page 24
 TD & TF Page 25
 Steering Conversion Parts, (LHD to RHD), TD & TF . Page 25

Front Suspension

TA-TB & TC Page 26
 TD & TF Page 27

Rear Suspension

TA-TB & TC Page 28
 TD & TF Page 28

Rear Axle & Propshaft

TA-TB & TC Page 30
 TD & TF Page 31

Electrical System

Dynamo & Fittings Page 32
 Starter Motor & Fittings Page 32
 Starting Handle..... Page 32
 Battery, Fittings, Cables & Switches Page 33
 Wiring Harness, (Looms)..... Page 33
 Ignition System..... Page 34
 Regulators & Fuses..... Page 35
 Windscreen Wiper Motor, Arms & Blades Page 35
 Horns & Fittings Page 35
 Headlamps & Fittings..... Page 36
 Front Fog Lamps & Fittings..... Page 36
 Front Side Lamps Page 37
 Rear Lamps Page 37

Dashboard Components

Dashboard, Switches, Instruments & Cables..... Page 39

Body Panels, Body Tubs & Timbers

TA & TB Page 40
 TC Page 42
 TD Page 44
 TF..... Page 46

Body Rubbers

TA-TB & TC Page 49
 TD Page 50
 TF..... Page 51

Chrome

(Exterior Body Fittings & Chrome Trim)
 TA-TB & TC Page 52
 TD Page 54
 TF..... Page 56

Interior

Interior Trim Kits, (all models)..... Page 58
 Seat Assemblies, (all models)..... Page 58
 Squab & Cushion Sets, (all models) Page 59
 Carpets, Mats & Boots, (all models) Page 59

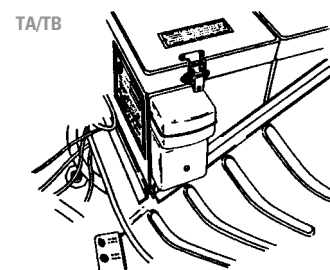
Exterior

Hood, Frames & Rails, (all models) Page 60
 Tonneau Covers & fittings, (all models)..... Page 60
 Side Screen & Frames, (all models) Page 61
 Side Screen Stowage Bag, (all models)..... Page 61

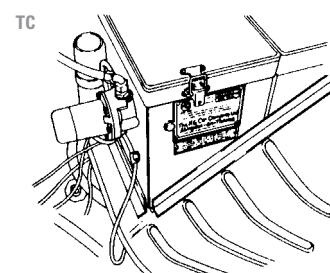
Miscellaneous

Chassis Frame Fittings Page 48
 General Hardware & Fixings Pages 62-64
 Body Paints & Codes Page 67

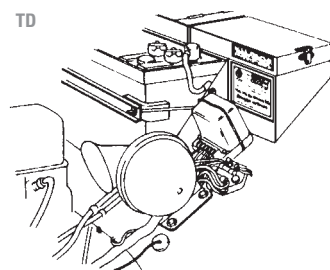
Location of Serial Numbers



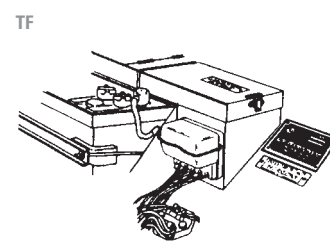
On front face of locker, towards left hand end



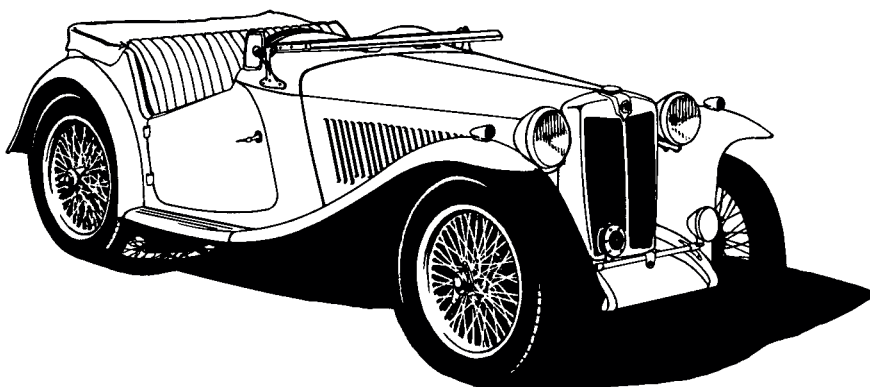
On left hand side of locker



On front face of locker, towards left hand end



On top face of bulkhead to the left hand side of locker



Please note: In most circumstances Moss can supply both an OE (Original Equipment) part or an Aftermarket part. The Aftermarket part offers a high quality part but usually at a reduced price and in certain circumstances replaces the OE part when no longer available. The Aftermarket part is indicated by a letter "Z" at the end of the part number.

Shock Absorber, Front, TA-TB & TC	Page 26
Shock Absorber, Front, TD & TF	Page 27
Shock Absorber, Rear, TA-TB & TC	Page 28
Shock Absorber, Rear, TD & TF	Page 28
Shock Absorber Bush Installation Kit	Page 28
Side Lamp	Page 37
Side Screen Covers	Page 61
Side Screen Frames	Page 61
Side Screen Stowage Bags	Page 61
Slow Running Cable	Page 19
Speedometer	Page 38
Speedometer Cables	Page 38
Spokes, (Wire wheels)	Page 21
Squab/Cushion Sets	Page 59
Starter	Page 32
Starter Cables	Pages 19 & 33
Starter Components	Page 32
Starter Switch	Pages 33 & 35
Starter Handle	Page 32
Steering Arms, TD & TF	Page 27
Steering Arms, TA-TB & TC	Page 26
Steering Box Components, TA-TB & TC	Page 24
Steering Box, TA-TB & TC	Page 24
Steering Bushes, TA-TB & TC	Page 26
Steering Bushes, TD & TF	Page 26
Steering Column, TD & TF	Page 27
Steering Kit, Tompkins, TA-TB & TC	Page 24
Steering Knuckle, TA-TB & TC	Page 25
Steering Knuckle, TD & TF	Page 27
Steering Rack & Pinion, TD & TF	Page 25
Steering Wheel, Moto-Lita	Accessories
Steering Wheel, TA-TB & TC	Page 24
Steering Wheel, TD & TF	Page 25
Stop Light Switch, TA-TB & TC	Page 22
Stop Light Switch, TD & TF	Page 23
Sun Visors	Accessories
Suspension, Front, TA-TB & TC	Page 26
Suspension, Front, TD & TF	Page 27
Suspension, Rear, TA-TB & TC	Page 28
Suspension, Rear, TD & TF	Page 28
Switch, Brake Light, TA-TB & TC	Page 22
Switch, Brake Light, TD & TF	Page 23
Switch, Dip-Floor Mounted	Page 35
Switch, Fog Light	Page 38
Switch, Horn/Dip	Page 38
Switch, Ignition/Headlamp	Page 38
Switch, Light Panel, Accessory	Page 38
Switch, Reverse Light	Page 35
Switch, Starter	Pages 33 & 35
Switch, Turn Signal	Page 35
Switches	Pages 35 & 38

T

Tachometer Cable	Pages 32 & 38
Tachometers	Page 38
Tail Lamp	Page 37
Tap & Die Set	Page 62
Tappet Cover	Page 07 & Accessories
Thermostat	Page 11
Thermostat Housing	Page 11
Thread Restorer	Page 27
Thread Fittings On MG 'T' Types	Page 62
Threshold Plates, TA-TB & TC	Page 52
Threshold Plates, TD	Page 54
Threshold Plates, TF	Page 56
Timber Components, TA & TB	Page 41
Timber Components, TC	Page 43
Timber Components, TD	Page 45
Timber Components, TF	Page 47
Tompkins Steering Kit, TA-TB & TC	Page 24
Tonneau Covers	Page 60
Tonneau Fittings	Page 60
Tool Roll	Page 21
Tools, Roadside	Page 21
Tools, Wheel	Accessories
Trim Colour Charts	Page IBC
Trim Kits	Page 58
Trim Material	Page 58
Turn Signal Lamp, Rear	Page 37
Turn Signal Switch	Page 35
Tyre Lever Set	Page 21
Tyres, TA-TB & TC	Page 49
Tyres, TD	Page 50
Tyres, TF	Page 51

U

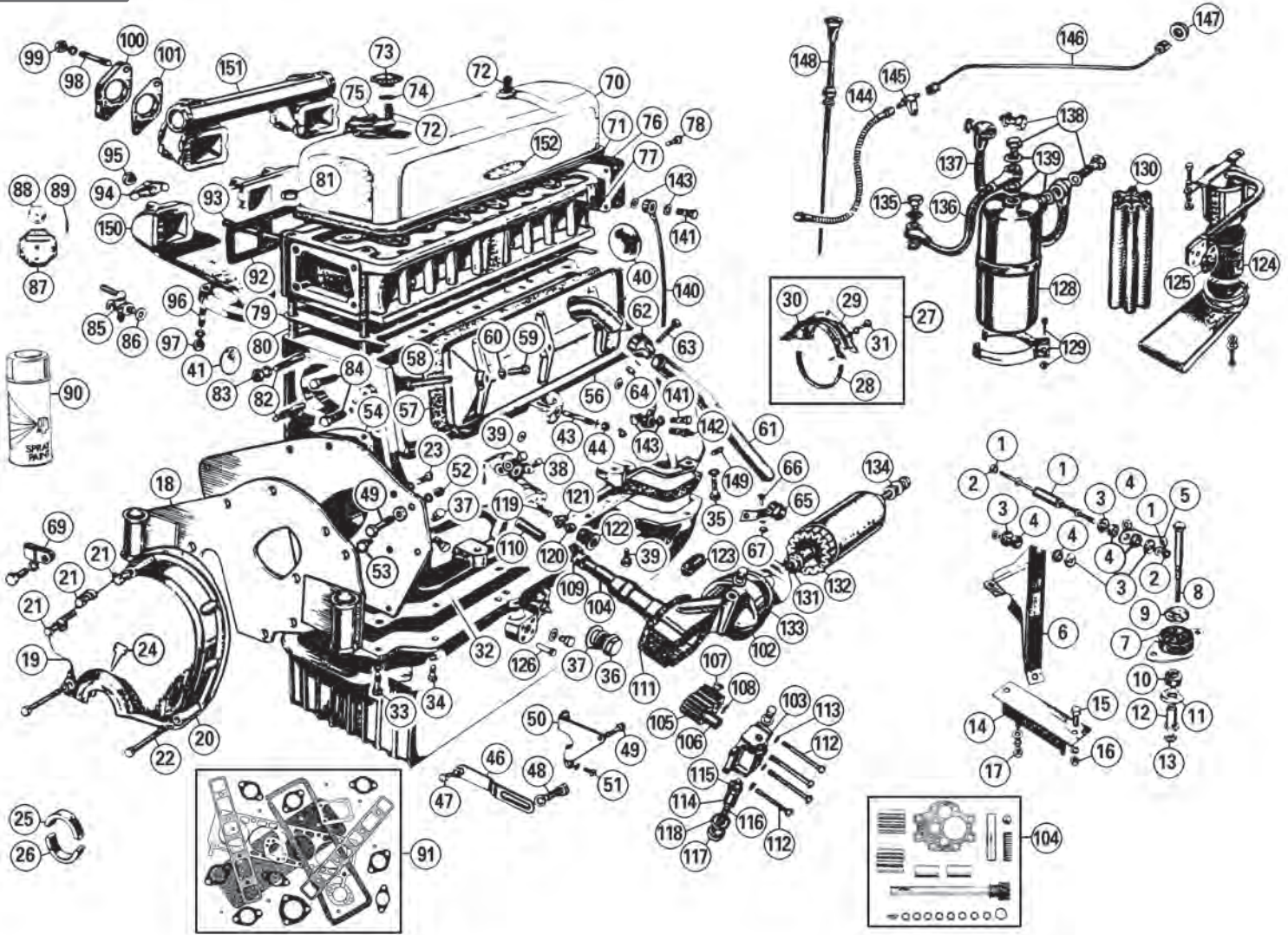
Under Dash Shield Kit	Page 39
Universal Joints, Propshaft	Pages 30 & 31

V

Valve Guides	Page 08
Valve Springs	Page 08
Valves, Inlet & Exhaust	Page 08
Voltage Regulator	Page 35

W

Warning Lamps	Page 38
Water Pump	Page 11
Water Pump Components	Page 11
Water Temperature Gauge	Page 38
Wheel Cylinders, TA-TB & TC	Page 22
Wheel Cylinders, TD & TF	Page 23
Wheel Paint	Page IBC
Wheel Spinner, TA-TB & TC	Page 21 & Acc.
Wheel Spinner, TD & TF	Page 21 & Acc.
Wheel Tools	Accessories
Wheel, Wire	Page 21
Wheel, Wire, Conversion Kit, TD & TF	Page 21
Wheels	Page 21
Wind Wing Set	Page 55 & Accessories
Windscreen Fittings, TA-TB & TC	Page 53
Windscreen Fittings, TD	Page 55
Windscreen Fittings, TF	Page 57
Wing Covers	Page 40
Wing Piping	Pages 49, 50 & 51
Wings, TA & TB	Page 40
Wings, TC	Page 42
Wings, TD	Page 44
Wings, TF	Page 46
Wiper Arm	Page 35
Wiper Blades	Page 35
Wiper Components	Page 35
Wiper Motor	Page 35
Wiper Wheelbox	Page 35
Wire Wheel Conversion Kit, TD & TF	Page 21
Wire Wheels, TA-TB & TC	Page 21
Wire Wheels, TD & TF	Page 21
Wiring Looms	Page 33



ill. Part Number Price £ea. Description Req. Details

External Engine

A Brief History of the 'T' Type Engine

The new MG TA should have had a Wolseley overhead camshaft engine, but it was cheated of this power unit at the last moment by Leonard Lord. Rationalisation plans forced them to use the "new" version of the old side valve unit designed by Hotchkiss & Cie, destined for the Wolseley 10/40 saloon. The engine (coded MPJG) was modified further just in time for the release of the TA, using twin SU carburettors, modified camshaft and exhaust manifold.

1939 saw the introduction of the MG TB with a 1250cc XPAG engine (from the new Morris 10 XPJM unit). This engine was used (with further modifications in 1951 for TDII models) right up to the end of production of the TF model. The 1500cc XPEG power unit (introduced in 1954, and running concurrently with the older XPAG engine) was the result of a major redevelopment of the XPASG unit and were mostly fitted to TF's that were destined for the American market.

Note: Although our supply of TA components is somewhat limited, if there is a specific component that you require that we have not illustrated/listed, please don't give up hope. For there are occasions when we hear of items (sometimes original) that suddenly become available, please contact your nearest Moss branch for latest information.

Engine Mountings & Stabilisers

1	411-050	£51.40	STABILISER LINK	1	
2	311-155	£1.90	LOCK NUT, adjuster	2	
3	324-988	£4.40	WASHER SET, control link, 4 washers	1	
4	281-158	£8.90	BUSH SET, control link, 4 bushes	1	TD & TF
5	411-040	£19.90	BRACKET, control link	1	
6	411-060	£94.20	BRACKET, engine control, on chassis	1	
7	410-010	£30.30	ENGINE MOUNTING, front	2	
8	320-920	£14.20	BOLT, engine mounting	2	
9	410-030	£8.40	WASHER, engine mounting	2	
10	410-020	£14.40	REBOUND RUBBER	2	TA-TB & TC
11	324-490	£1.40	WASHER, rebound rubber	2	
12	311-530	£11.80	SLEEVE NUT, engine mounting	2	
13	AJD8105Z	£0.30	LOCK NUT, sleeve nut	2	
14	411-010	£49.00	ENGINE MOUNTING, front	1	

ill. Part Number Price £ea. Description Req. Details

15	320-560	£2.32	BOLT, front engine mounting	2	TD & TF
16	AJD8106Z	£0.47	NUT, mounting bolt	2	
17	AJD8106Z	£0.47	NUT, front engine mounting	2	
18	433-635	£165.35	ENGINE PLATE	1	TB & TC
	433-645	£80.84	ENGINE PLATE	1	TD & TF
19		NCA	COVER, timing chain	1	TB-TC-TD & TF
20	291-600	£2.40	GASKET, timing chain cover	1	
21	320-300	£6.70	MEDIUM BOLT, timing cover	3	
22	320-310	£6.40	LONG BOLT, timing cover	2	
23	320-260	£1.48	SHORT BOLT, timing cover	2	
24	433-590	NCA	TDC INDICATOR	1	TB-TC-TD & TF
25	291-700	£6.20	UPPER SEAL, front crankshaft	1	
26	291-100	£7.40	LOWER SEAL, front crankshaft	1	
	602178A	£2.05	LOWER SEAL, front crankshaft, rope	1	improved
	120-750	£13.70	OIL SEAL*, front crankshaft, uprated	1	

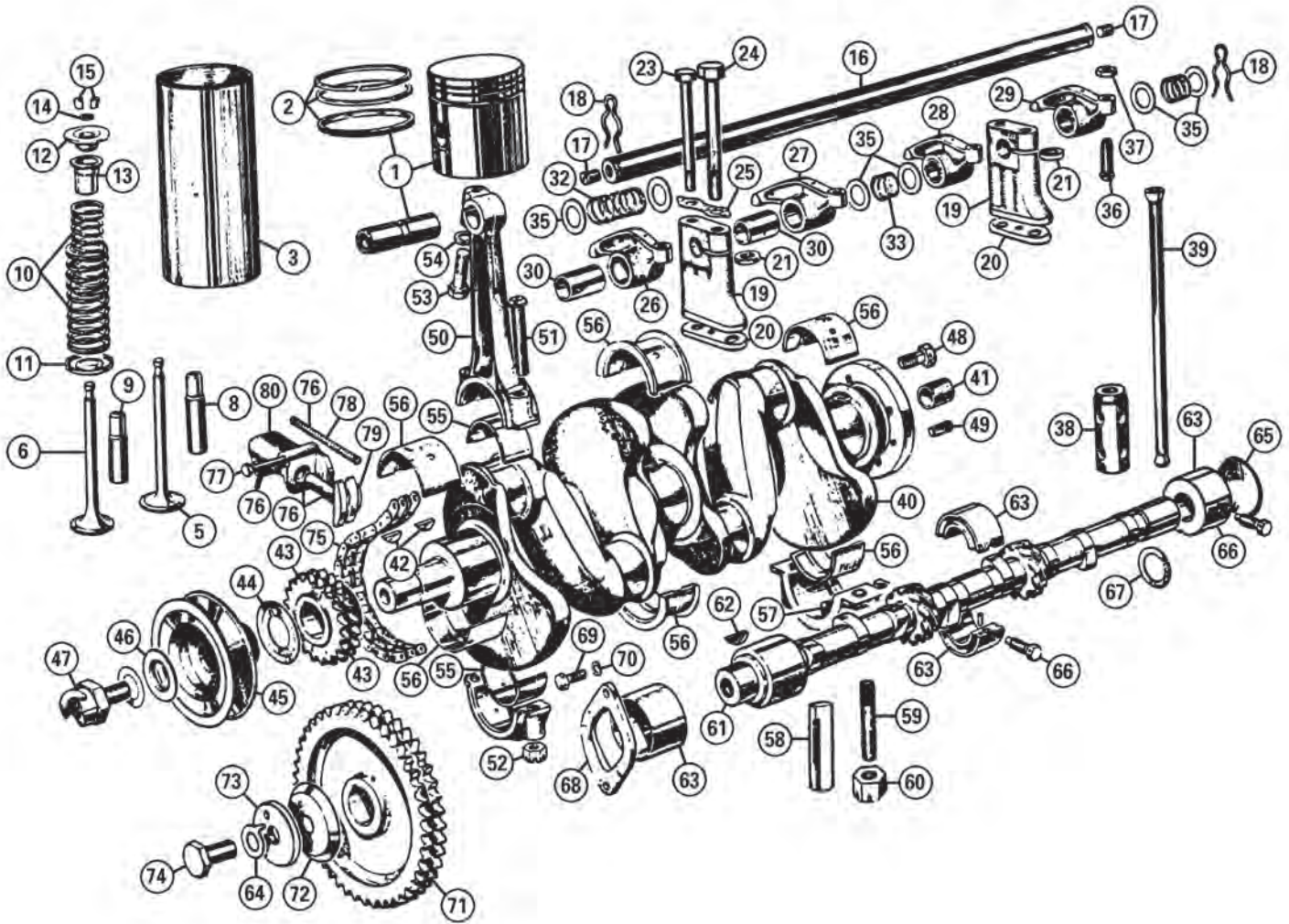
*Note: Modern (easy fit) lip-type to replace items 25 & 26. These lip-type seals replace the original leak prone impregnated rope seals. The modern seal fits into the original recess and glued in place with silicone gasket maker (part no. GGL1009).

27	433-421	£270.00	OIL SEAL CONVERSION KIT, rear	1	
	433-422	£48.00	OIL SEAL, replacement	1	

*Note: Our modified oil seal assembly replaces items 27, 28, 29 & 30.
433-425 £72.00 'SPEEDY SLEEVE'* 1

*Note: Our 'Speedy Sleeve' compensates for wear and/or corrosion on the flywheel flange.

28	291-200	£7.90	SEAL, rear crankshaft	1	
29	433-410	£28.60	OIL THROWER, rear upper main	1	
30	291-900	£1.80	GASKET, rear oil thrower	1	
31	320-130	£1.16	BOLT, rear oil thrower	3	
32	AAA5659X	£22.30	GASKET SET, sump, 2 piece	1	
33	320-265	£3.25	BOLT, front sump	2	
34	320-270	£2.50	BOLT, centre sump	10	
35	320-290	£1.43	BOLT, rear sump	2	TB-TC-TD & TF
36	328-120	£14.10	PLUG, oil drain	1	
37	6K431B	£0.77	WASHER, oil drain plug	1	
38	328-100	£1.75	PLUG, oil feed hole	5	
39	328-070	£10.80	PLUG, oil by-pass hole	1	
	328-020	£25.40	PLUG, front oil gallery	1	
	328-030	£1.30	PLUG, rear oil gallery	1	
40	AAA5561	£1.45	CORE PLUG, large	2	
41	319-050	£8.70	CORE PLUG, small, 39mm diameter	7	TA



Part Number	Price £ea.	Description	Req.	Details
Internal Engine				
Pistons, Rings & Valves				
We are pleased to offer a complete range of Aerolite brand pistons. These high quality pistons are manufactured to the original solid skirt 3-ring design, but incorporate the very latest in high strength, high silicon content aluminium alloy. All pistons are produced in permanent steel moulds for maximum strength yet light weight.				
1	420-018 £330.00	PISTON SET, standard	1	TB-TC-TD & TF, 1250cc engines
	420-038 £330.00	PISTON SET, 0.020"	1	
	420-048 £330.00	PISTON SET, 0.030"	1	
	420-058 £330.00	PISTON SET, 0.040"	1	
	420-068 £330.00	PISTON SET, 0.060"	1	
	420-078 £340.00	PISTON SET, 0.080"	1	
	420-088 £340.00	PISTON SET, 0.100"	1	
	420-098 £340.00	PISTON SET, 0.120"	1	
	420-218 £363.00	PISTON SET, standard	1	
	420-238 £507.40	PISTON SET, 0.020"	1	
	420-258 £363.00	PISTON SET, 0.040"	1	TF, 1500cc engines
	420-268 £363.00	PISTON SET, 0.060"	1	
2	421-010 £78.00	RING SET, standard	1	(3 ring Mowog & Aerolite pistons), 1250cc engines
	421-020 £78.00	RING SET, 0.020"	1	
	421-030 £78.00	RING SET, 0.030"	1	
	421-040 £78.00	RING SET, 0.040"	1	
	421-050 £78.00	RING SET, 0.060"	1	
	421-060 £122.40	RING SET, standard	1	
	421-070 £122.40	RING SET, 0.020"	1	
	421-080 £122.40	RING SET, 0.030"	1	
	421-090 £122.40	RING SET, 0.040"	1	
	421-100 £122.40	RING SET, 0.060"	1	
	421-110 £122.40	RING SET, 0.080"	1	(Aerolite & AE no. 12387 pistons), 1250cc engines
	421-120 £114.00	RING SET, 0.100**	1	
	421-130 £114.00	RING SET, 0.120**	1	
	421-190 £123.00	RING SET, standard	1	
	421-200 NCA	RING SET, 0.020"	1	(all 3-ring & 4-ring pistons), 1500cc

Part Number	Price £ea.	Description	Req.	Details
421-210	£123.00	RING SET, 0.030"	1	(all 3-ring & 4-ring pistons), 1500cc
421-220	£123.00	RING SET, 0.040"	1	
421-230	NCA	RING SET, 0.060"	1	
*Note: These numbers are found stamped in the crowns of certain after-market pistons, and fit those pistons. We do not stock rings for other after-market pistons.				
3	426-010 £40.50	CYLINDER LINER, sleeve	4	1250cc engines
	426-030 £44.40	CYLINDER LINER, sleeve	4	1500cc engines
5	PWT892A £34.50	VALVE, inlet	4	TA
	423-010 £10.50	VALVE, inlet, 1 5/16" diameter	4	TB-TC & TD
	423-030 £11.10	VALVE, inlet, 1 7/16" diameter	4	TD MkII & TF
6	PWT893A £34.50	VALVE, exhaust	4	TA
	423-020 £12.40	VALVE, exhaust, 1 3/16" diameter	4	TB-TC & TD
	423-040 £16.20	VALVE, exhaust, 1 3/8" diameter	4	TD MkII & TF
	423-025 £27.20	EXHAUST VALVE, stellite faced	4	TB-TC & TD
	423-045 £28.70	EXHAUST VALVE, stellite faced	4	TD MkII & TF
8	PWT891TA £29.10	GUIDE, inlet	4	TA
	P100 £7.60	GUIDE, inlet	4	TB-TC-TD & TF
	423-215 £9.20	SILICON BRONZE VALVE GUIDE, inlet**	4	TA
9	PWT891TA £29.10	GUIDE, exhaust	4	
	P101 £6.30	GUIDE, exhaust	4	TB-TC-TD & TF
	423-225 £9.70	SILICON BRONZE VALVE GUIDE, exhaust**	4	TA
10	PWT895 NCA	VALVE SPRING SET	1	
	423-410 £48.00	VALVE SPRING SET	1	TB-TC-TD & TF
11	433-030 £3.40	SPRING WASHER, bottom	8	
12	433-010 £18.00	SPRING WASHER, top	8	
13	1H725 £9.00	OIL DEFLECTOR, valve	8	
14	AEK113 £0.41	OIL SEAL, valve stem	8	
	ADU4905 £0.80	OIL SEAL, valve stem, improved***	8	
15	433-040 £3.30	VALVE COTTER, each	16	
***Note: If using improved oil seals ADU4905 then the oil deflector 1H725 is no longer needed.				

ill. Part Number Price £ea. Description Req. Details

Unleaded Petrol and Your Valves

Today's unleaded fuel does not protect original style valves & valve seats against valve seat recession. We strongly recommend our Stellite-faced exhaust valves and silicone bronze valve guides. A full & permanent conversion to lead-free operation would also include fitting hardened exhaust valve seats. However, since valve seat inserts could conceivably loosen and fall out, causing considerable damage, we only recommend that these be fitted when inserts are also required to repair existing serious valve seat wear.

16	451-170	£29.70	SHAFT, rocker, 14" long	1	} TB-TC & TD To (e) 9007
	451-170TUF	£49.00	SHAFT, rocker, tufride, 14" long	1	
	451-180	£30.10	SHAFT, rocker, 14 7/8" long	1	
	451-180TUF	£48.60	SHAFT, rocker, tufride, 14 7/8" long	1	
17	328-010	£20.00	PLUG, rocker shaft end	2	}
18	506542	£1.10	CLIP, rocker shaft	2	
19	433-060	£18.90	ROCKER PEDESTAL	4	} TB-TC-TD & TF
20	433-128	£34.00	SHIM SET, 4 shims, use with milled head	1	
21	433-080	£4.90	WASHER, spacer (For no. 1 & 4 pedestals, 'D' shaped).	2	
	433-070	£2.40	WASHER, spacer (For no. 2 & 3 pedestals, round).	2	
23	320-330	£4.90	BOLT, rocker bracket (8mm, 3 5/16" long).	8 TA	
24	320-530	£4.00	BOLT, rocker bracket (10mm, 3 1/2" long).	4 TB-TC-TD & TF	
25	433-108	£5.30	LOCKPLATE SET, 4 lock plates	1 TB-TC-TD & TF	
26	433-150	£24.60	ROCKER, number 1 and 5 valve	2 TB-TC & TD To (e) 9007	
	433-160	NCA	ROCKER, number 1 and 5 valve	2 TD From (e) 9008, TF	
27	433-170	£24.60	ROCKER, number 2 and 6 valve	2 } TB-TC-TD & TF	
28	433-180	NCA	ROCKER, number 3 and 7 valve	2 }	
29	433-130	£24.60	ROCKER, number 4 and 8 valve	2 TB-TC & TD To (e) 9007	
	433-140	NCA	ROCKER, number 4 and 8 valve	2 TD From (e) 9008, TF	
30	330-080	£6.60	BUSH, rocker, short	4 TB-TC & TD To (e) 9007	
	330-090	£4.70	BUSH, rocker, long	4 used on 14" shaft	
	330-090	£4.70	BUSH, rocker, long	8 TD from (e) 9008, TF	
32	329-360	NCA	SPACER SPRING, centre, long	1 TB-TC & TD To (e) 9007	
	329-160	NCA	SPACER SPRING, centre	1 TD From (e) 9008, TF	
33	329-160	NCA	SPACER SPRING, intermediate	2 TB-TC & TD To (e) 9007	
	329-150	£17.90	SPACER SPRING (For front, intermediate & rear).	4 TD From (e) 9008, TF	
34	329-150	£17.90	SPACER SPRING, front & rear	2 TB-TC & TD To (e) 9007	
35	324-420	£5.10	WASHER, spacer spring	2 TB-TC & TD To (e) 9007	
				10 TD From (e) 9008, TF	
36	433-200	£6.60	ADJUSTING SCREW, rocker, short	8 TA-TB-TC & TD To (e) 17297	
	433-210	£8.10	ADJUSTING SCREW, rocker, long	8 TD From (e) 17298, TF	
37	311-110	£1.90	NUT, rocker adjusting screw	8 all models	
38	AEG127	£5.60	CAM FOLLOWER, single	} TB-TC-TD & TF	
	AEG127020	£11.60	CAM FOLLOWER, single, 0.020"		8
	433-365	£362.40	CAM FOLLOWER SET (For Crane Cams only. Part No: 451-260X, item 61).		1
39	433-330	£11.00	PUSH ROD	8	
39a	433-335	£111.20	PUSH ROD SET, short	1 use with crane cam	

Crankshaft

40	AAA3105	NCA	CRANKSHAFT, forged (Forged in '4340 Chrome-Moly' steel).	1	}
	AAA3105X	£2,152.80	CRANKSHAFT, billet (Machined from EN40B steel).	1	
41	330-040	£10.50	BUSH, spigot	1	
42	327-050	£0.84	KEY, crankshaft	2	
	433-448	£98.00	SPROCKET SET, incl. items 43, 71 & 75	1 TB-TC-TD & TF	
43	AAA5664	£38.80	SPROCKET, crankshaft	1	
44	433-480	£8.10	OIL THROWER, crankshaft	1	
45	433-470	£59.40	PULLEY, crankshaft	1	
46	433-460	£8.30	WASHER, crankshaft pulley	1	
47	433-450	£43.80	BOLT, crankshaft	1	
48	320-524	£11.10	BOLT, flywheel to crank	4	
49	325-328	£16.40	DOWEL SET, crankshaft, 2 pins	1	
NI	P162	£45.30	RING GEAR*	1 TB & TC	
	P163	£45.30	RING GEAR, 10 3/8" ID*	1 TD To (e) 9407	
	P164	£47.50	RING GEAR, 10 3/4" ID*	1 TD From (e) 9408, TF	

*Note: Please refer to page 12 (Clutch System) for illustration.

50	433-780	£398.70	CONNECTING ROD SET	4	1250cc engines
	433-790	NCA	CONNECTING ROD SET	4	1500cc engines
51	320-885	£18.60	BOLT, connecting rod	8	TA
	320-880	NCA	BOLT, connecting rod	8	TB-TC-TD & TF
	321-269	£100.10	BOLT & NUT SET, connecting rod (Contains 8 bolts and 8 nuts).	1	TB-TC-TD & TF
52	311-085	£5.80	NUT, connecting rod	8	TA
	311-080	£2.00	NUT, connecting rod	8	TB-TC-TD & TF
	321-269	£100.10	BOLT & NUT SET, connecting rod (Contains 8 bolts and 8 nuts).	1	TB-TC-TD & TF

ill. Part Number Price £ea. Description Req. Details

53	320-899	£13.40	BOLT SET, gudgeon pin clamp (ARP socket bolt, engine set).	1	} all models
	320-898	£50.10	BOLT SET, gudgeon pin clamp (Hex headed bolt, engine set).	1	
54	GHF332	£0.40	WASHER, clamp bolt	4	

Con Rod & Main Bearings

55	424-000	£28.80	CON ROD BEARING SET, standard	1	} TB-TC-TD & TF
	424-100	£28.80	CON ROD BEARING SET, 0.010"	1	
	424-150	£28.80	CON ROD BEARING SET, 0.020"	1	
	424-200	£28.80	CON ROD BEARING SET, 0.030"	1	
	424-250	£28.80	CON ROD BEARING SET, 0.040"	1	
	424-300	£28.80	CON ROD BEARING SET, 0.050"	1	
	424-350	£28.80	CON ROD BEARING SET, 0.060"	1	
56	424-650	£73.50	MAIN BEARING SET, standard	1	
	424-750	£73.50	MAIN BEARING SET, 0.010"	1	
	424-800	£73.50	MAIN BEARING SET, 0.020"	1	
	424-850	£73.50	MAIN BEARING SET, 0.030"	1	
	424-900	£73.50	MAIN BEARING SET, 0.040"	1	
	424-905	£73.50	MAIN BEARING SET, 0.050"	1	
	424-910	£73.50	MAIN BEARING SET, 0.060"	1	
57	325-050	£11.90	DOWEL PIN, main bearing insert	6	
58	433-600	NCA	PIPE, main bearing cap	1	
59	328-830	£6.60	STUD, main bearing cap	6	
60	311-270	£3.05	NUT, main bearing cap stud	6	
61	451-260X	£526.40	CAMSHAFT, Crane Cam, standard grind (Must be used with special cam followers part no. 433-365, item 38).	1	
	451-260	£332.50	CAMSHAFT, standard grind	1	
	451-270	£373.10	CAMSHAFT, 3/4 grind	1	
62	327-050	£0.84	KEY, camshaft sprocket	1	
63	424-968	£64.50	CAM BEARING SET	1	

New front cam bearings must be fitted each time the cylinder block is hot-tanked, as the caustic solution will destroy the thin wall bearing shell. New front cam bearings must be line-reamed after installation. This procedure must be entrusted to a competent automotive machine shop.

64	433-370	£8.40	TAB WASHER, cam sprocket	1
65	328-240	£2.35	CORE PLUG, in block	1
66	320-900	£15.60	BOLT, centre & rear cam bearing	2
67	326-060	£0.73	CIRCLIP, rear camshaft	1
68	433-400	£34.00	THRUST PLATE, camshaft	1
69	320-130	£1.16	BOLT, cam thrust plate	2
70	GHF331	£0.38	WASHER, thrust plate bolt	2
	433-448	£98.00	SPROCKET SET, incl. items 43, 71, 75	1
71	AAA5666	£57.40	SPROCKET, camshaft	1
72	433-390	£6.30	OIL THROWER, camshaft	1
73	433-380	£38.20	WASHER, camshaft sprocket	1
74	320-670	£5.00	BOLT, camshaft	1
75	433-565	£16.60	TIMING CHAIN	1 TA
	433-580	£18.00	TIMING CHAIN	1 TB-TC-TD & TF
76	433-578	£43.60	TENSIONER ASSEMBLY, timing chain	1
77	320-150	£6.00	BOLT, timing chain tensioner	2
78	329-370	£5.70	SPRING, chain tensioner	1
79	433-570	£30.00	FOOT, timing chain tensioner	1
80	433-575	£20.40	BODY, chain tensioner	1

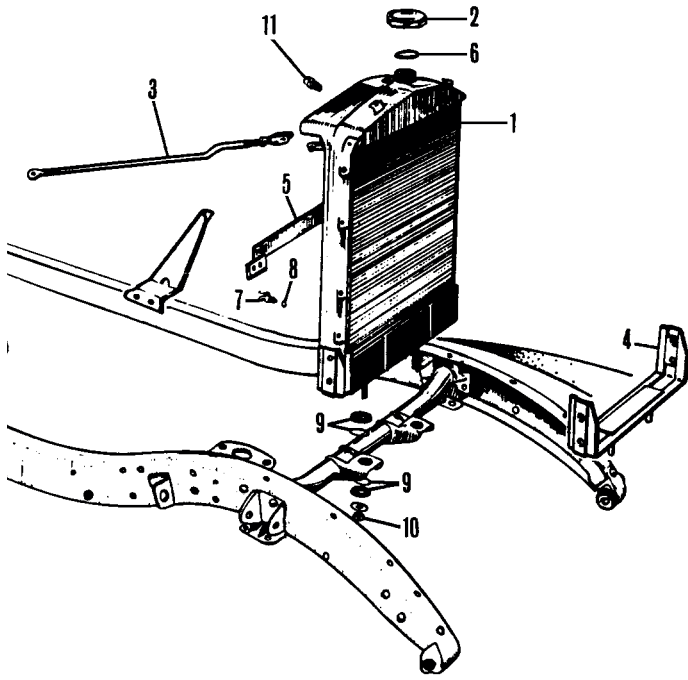
Gasket Sets

297-708	£159.60	ENGINE GASKET SET, complete	1	1250cc To (e) 22734
297-808	£159.60	ENGINE GASKET SET, complete	1	1250cc From (e) 22735
297-908	£159.60	ENGINE GASKET SET, complete	1	1500cc engines
297-218	£223.70	HEAD GASKET SET	1	TA
G100	£93.20	HEAD GASKET SET	1	1250cc To (e) 22734
G102	£93.20	HEAD GASKET SET	1	1250cc From (e) 22735
297-408	£93.20	HEAD GASKET SET	1	1500cc engines
297-228	£48.30	CONVERSION SET	1	TA
297-238	£39.55	CONVERSION SET	1	
AAA5659X	£22.30	SUMP GASKET SET	1	TB-TC-TD & TF
GGC102	£6.90	GASKET SEALANT, Hylomar	a/r	

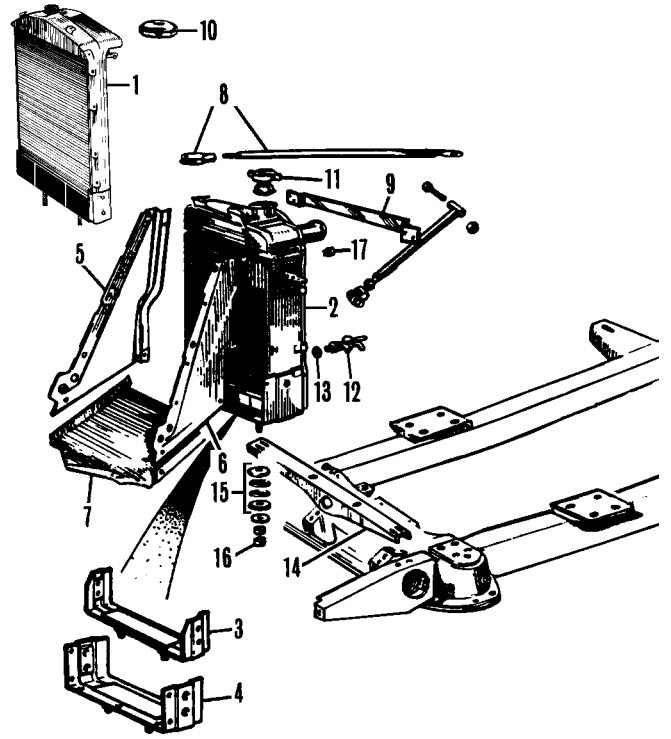
Oil Cooler Kits

The TB-TC and early TD kits are for early vertically-mounted oil filter applications. The connecting pipe (see External Engine on pages 06/07 - item No 136) is eliminated and oil pipes are connected directly to block and filter. Late style kits incorporate a cast aluminium 'sandwich' plate to fit between the oil pump and filter canister. Oil coolers are normally mounted below the splash apron. Oil coolers are not included with the installation kits and must be purchased separately.

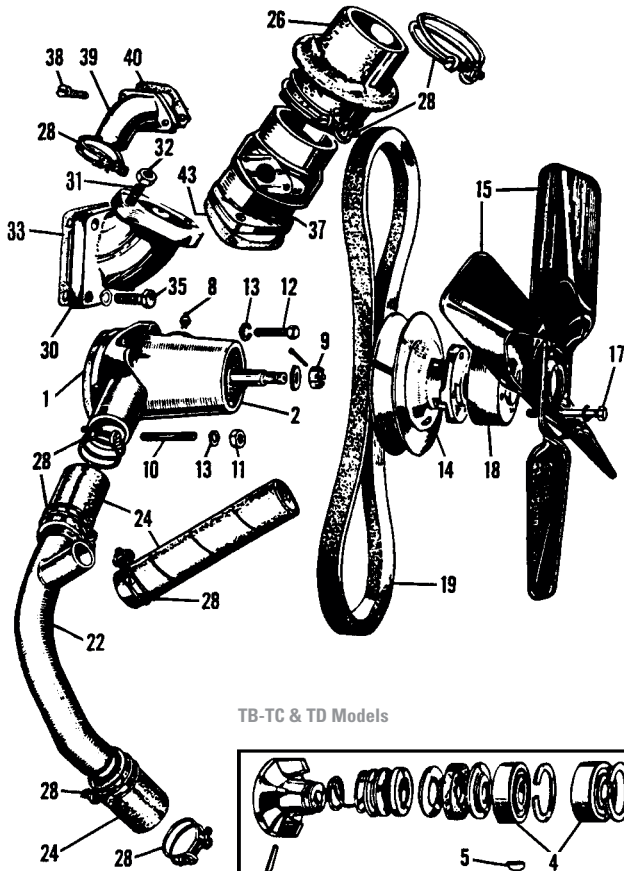
MM235-935	£47.15	OIL COOLER INSTALLATION KIT	1	TB-TC & TD To (e) 14223
MM235-945	£123.00	OIL COOLER INSTALLATION KIT	1	TD From (e) 14224, TF
AR09807	£73.50	OIL COOLER, 10 row	1	
ARA221	£60.00	OIL COOLER, 13 row	1	



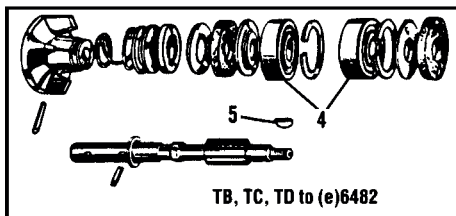
Radiator & Fittings - TA-TB & TC



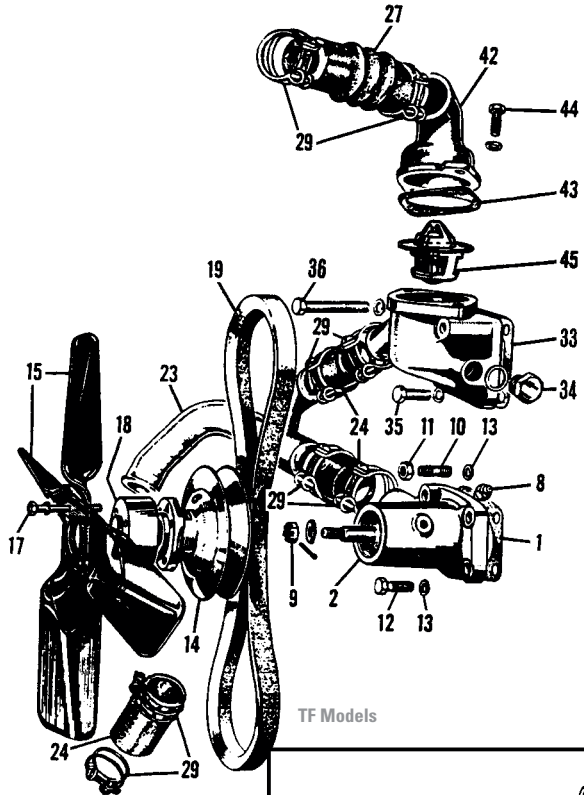
Radiator & Fittings - TD & TF



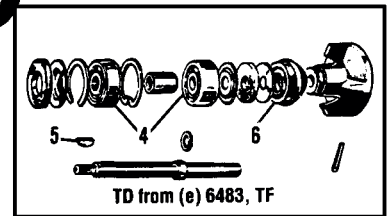
TB-TC & TD Models



TB, TC, TD to (e)6482



TF Models



TD from (e) 6483, TF

ill.	Part Number	Price £ea.	Description	Req.	Details
Cooling System					
Radiator & Fittings - TA-TB & TC					
1	453-980	£801.50	RADIATOR, new	1	TB & TC
2	202-010	£60.60	RADIATOR CAP, chrome	1	
NI	386-260	£21.60	SPANNER, radiator cap	1	
3	451-760	£98.00	STAY BAR, radiator, cranked, RH	1	
	451-770	£98.00	STAY BAR, radiator, straight, LH	1	
4	454-135	£118.40	MOUNTING BRACKET	1	radiator to chassis
5	451-100	£73.30	TIE BRACKET, headlamp mounting	1	
6	280-020	£1.90	SEAL, radiator cap	1	
7	3H576	£21.70	DRAIN TAP, radiator	1	
8	2K4975	£0.50	FIBRE WASHER, drain tap	1	
9	281-648	£12.80	MOUNTING SET, radiator	1	8 pieces, incl. steel rings
10	AJD8106Z	£0.47	NUT, radiator mounting	4	
11	361-050	£12.90	ADAPTOR, temperature gauge pipe	a/r	male/female
	361-060	£18.00	ADAPTOR, to radiator	a/r	male/male
	AEK122	£8.10	PLUG, blanking	a/r	

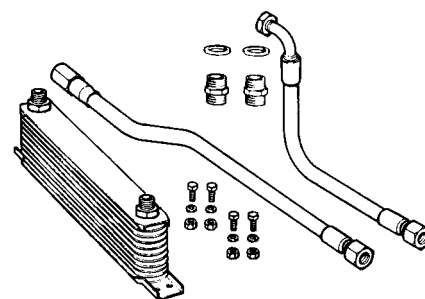
Radiator & Fittings - TD & TF

1	453-980	£801.50	RADIATOR	1	TD
2	453-820	NCA	RADIATOR, please enquire	1	TF
3	454-135	£118.40	MOUNTING BRACKET	1	TD, radiator to chassis
4	449-590	£117.60	MOUNTING BRACKET	1	TF, radiator to chassis
5	454-130	£94.20	SIDE PLATE, radiator, RH	1	TF
6	454-125	£94.20	SIDE PLATE, radiator, LH	1	
7	452-720	£70.00	BOTTOM PLATE, radiator	1	TF
8	451-700	£36.40	STAY BAR, radiator	2	
9	451-100	£73.30	TIE BRACKET, headlamp mounting	1	TD
10	202-010	£60.60	RADIATOR CAP, chrome	1	TD
11	GRC103	£3.20	RADIATOR CAP, 4 psi	1	TF, standard
	GRC103SS	£5.50	RADIATOR CAP, 4 psi	1	TF, uprated
	GRC101	£3.20	RADIATOR CAP, 7 psi	1	
	GRC101SS	£6.60	RADIATOR CAP, 7 psi	1	
12	3H576	£21.70	DRAIN TAP, radiator	1	
13	2K4975	£0.50	FIBRE WASHER, drain tap	1	
14	451-200	NCA	BRACKET, radiator mounting	1	between chassis rails
15	281-648	£12.80	MOUNTING SET, radiator	1	8 pieces, incl. steel rings
16	AJD8106Z	£0.47	NUT, radiator mounting	4	
17	361-050	£12.90	ADAPTOR, temperature gauge pipe	a/r	male/female
	361-060	£18.00	ADAPTOR, to radiator	a/r	male/male
	AEK122	£8.10	PLUG, blanking	a/r	

Water Pump, Fan & Thermostat

1	PWT916A	NCA	GASKET, water pump	1	TA
	292-000	£1.48	GASKET, water pump	1	TB-TC-TD & TF
	PWT916	NCA	WATER PUMP	1	TA
2	AEF19	NCA	WATER PUMP	1	TB-TC-TD & TF
4	AEF136	£17.05	BEARING, water pump	2	TB-TC-TD & TF
5	327-030	£1.20	KEY, water pump pulley	1	TD From (e) 6483, TF
6	AEB156	NCA	SEAL, water pump	1	
8	328-520	£1.31	GREASE NIPPLE, water pump	1	TB-TC-TD & TF
9	311-080	£2.00	NUT, spindle	1	
10	328-750	£7.60	STUD, water pump mounting	2	TB-TC-TD & TF
11	311-100	£1.60	NUT, water pump stud	2	
12	320-290	£1.43	BOLT, water pump mounting	2	TB-TC-TD & TF
13	GHF332	£0.40	LOCK WASHER, stud & bolt	4	
14	434-060	£66.60	PULLEY, water pump	1	better cooling than 434-108
15	434-108	£65.70	FAN BLADE SET, 2 blades	1	
	12H4744	NCA	FAN BLADE SET, plastic, 7 blades	1	TB & TC
17	320-110	£3.50	BOLT, fan blade	4	
	320-120	£4.90	BOLT, fan blade	4	TD & TF
18	434-070	£53.40	SPACER, fan blade	1	TD & TF
19	434-110	£30.10	FAN BELT	1	TA
	434-125	£27.40	FAN BELT	1	TB-TC-TD & TF
22	434-215	NCA	BRANCH PIPE, water	1	TA
	434-210	£46.70	BRANCH PIPE, water	1	TB & TC
	434-220	£44.90	BRANCH PIPE, water	1	TD
23	434-230	£70.00	BRANCH PIPE, water	1	TF
24	434-438	£16.00	HOSE SET, lower, 3 hoses	1	TB-TC-TD & TF
26	434-410	£21.50	RADIATOR HOSE, top	1	TA-TB-TC & TD
27	434-420	£11.40	RADIATOR HOSE, top	1	TF
28	326-388	£10.60	HOSE CLAMP SET, 8 clamps	1	TA-TB-TC & TD
29	326-398	£12.16	HOSE CLAMP SET, 8 clamps	1	TF
30	434-130	£120.55	WATER OUTLET	1	TB & TC
	434-140	£107.86	WATER OUTLET	1	TD
31	328-747	£4.66	STUD, water outlet	2	TB-TC & TD
32	311-100	£1.60	NUT, for stud	2	
33	290-700	£1.43	GASKET, water outlet	1	TB-TC-TD & TF
34	AEK122	£8.10	PLUG, water outlet	1	(TF uses 2)
35	320-290	£1.43	BOLT, water outlet mounting	2/4	
36		NCA	BOLT, water outlet mounting	2	

ill.	Part Number	Price £ea.	Description	Req.	Details
37	434-168	£88.90	THERMOSTAT & HOUSING (Thermostat fixed).	1	TA-TB-TC & TD
	434-178	£119.35	THERMOSTAT & HOUSING (Thermostat replaceable).	1	
	434-200	£13.70	THERMOSTAT, 71°C, replacement (For use with 434-178).	1	
38	323-040	£0.55	SCREW, thermostat elbow	2	TF
39	434-170	£83.40	ELBOW, thermostat housing	1	
40	292-200	£2.45	GASKET, thermostat elbow	1	all models
42	434-150	£47.60	WATER OUTLET ELBOW	1	
43	115467	£0.42	GASKET, water outlet	1	all models
43	115467	£0.42	GASKET, thermostat housing, cork	1	
	115467X	£1.50	GASKET, thermostat housing, Klingersil	1	TF
45	GTS102	£4.85	THERMOSTAT, replacement type (74°C, summer).	1	
	GTS104	£5.20	THERMOSTAT, replacement type	1	
	GTS106	£6.00	THERMOSTAT, replacement type (88°C, winter).	1	



Oil Cooler Kits

Note: See also notes at the bottom of page 09 and also see the Accessories section for further details.

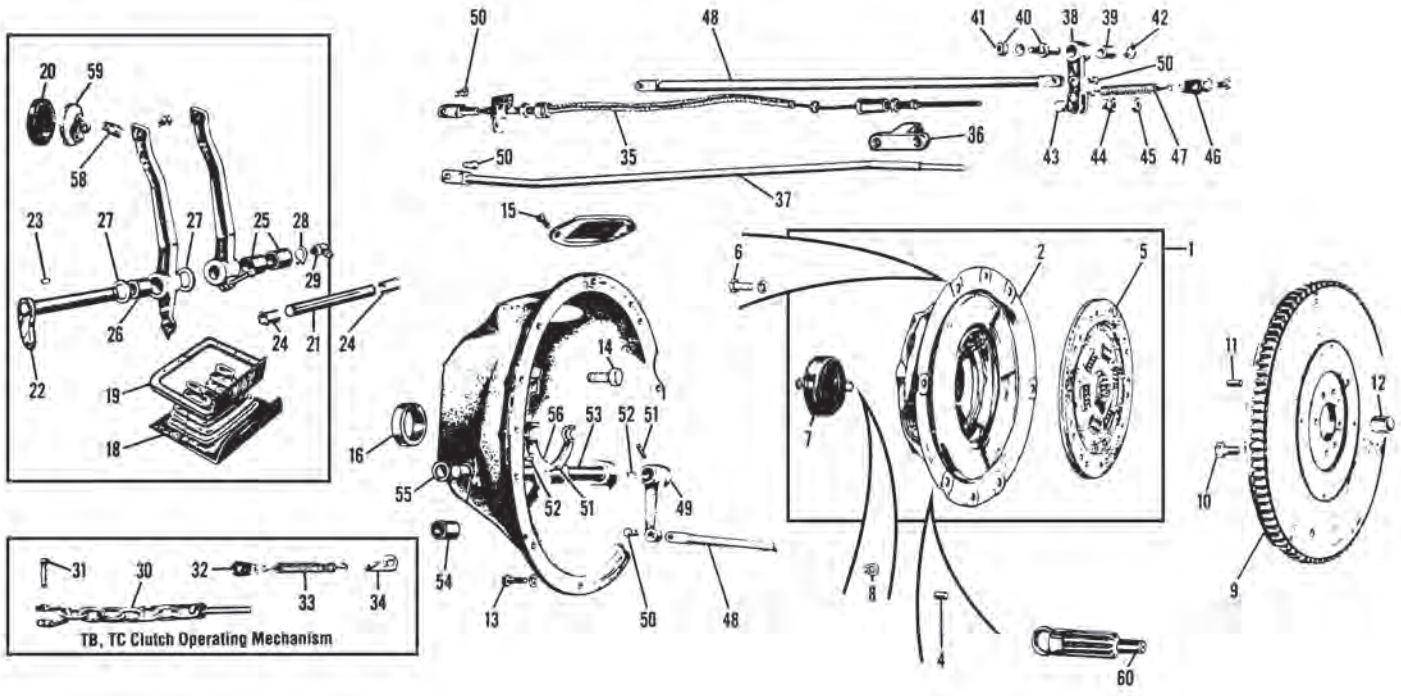
The TB-TC and early TD kits are for early vertically-mounted oil filter applications. The connecting pipe (435-460) is eliminated and oil pipes are connected directly to block and filter. Late style kits incorporate a cast aluminium 'sandwich' plate to fit between the oil pump and filter canister. Oil coolers are normally mounted below the splash apron. Oil coolers are not included with the installation kits and must be purchased separately.

MM235-935	£47.15	OIL COOLER INSTALLATION KIT	1	TB-TC & TD To (e)14223
MM235-945	£123.00	OIL COOLER INSTALLATION KIT	1	TD From (e)14224, TF
AR09807	£73.50	OIL COOLER, 10 row	1	
ARA221	£60.00	OIL COOLER, 13 row	1	

Spin-on Oil Filter Adaptor

Upgrade your TD & TF to use a modern efficient style spin-on cartridge type oil filter. As well as offering better filtration they make oil changes a cleaner and simpler operation. Includes adaptor, seals and fittings, filter not included. Suitable for TD's from (e) 14224 and TF models.

235-865	£123.00	SPIN-ON ADAPTOR KIT	1	
GFE173	£4.56	OIL FILTER	1	



ill.	Part Number	Price £ea.	Description	Req.	Details
Clutch System					
Clutch Drive, Controls & Fittings					
1	501-026	£190.00	CLUTCH KIT, 7 1/4"	1	TB-TC & TD To (e) 9407
	GCK257	NCA	CLUTCH KIT, 8"	1	TD From (e) 9408, TF
	GCK257BB	£206.70	CLUTCH KIT, 8" B&B	1	aftermarket
2	GCC114	NCA	CLUTCH COVER, 7 1/4"	1	TB-TC & TD To (e) 9407
	GCC114BB	£132.00	CLUTCH COVER, 7 1/4" B&B	1	aftermarket
	GCC108	NCA	CLUTCH COVER, new, 8"	1	TD From (e) 9408, TF2
	GCC108BB	£141.40	CLUTCH COVER, B&B	1	aftermarket
4	325-318	£2.20	DOWEL SET, clutch cover, 2 dowels	1	TB-TC-TD & TF
5	PW664A	£169.60	CLUTCH PLATE, reconditioned*	1	TA
	GCP148	£67.50	CLUTCH PLATE, new, 7 1/4"	1	TB-TC-TD To (e) 9407
	GCP132	£51.40	CLUTCH PLATE, new, 8"	1	TD From (e) 9408, TF
			(Includes cover, plate & bearing).		

*Note: Customers own unit, please call your nearest Moss branch for details.

6	320-260	£1.48	BOLT, plate to flywheel	6	TB-TC-TD & TF
7	GRB103	£17.10	RELEASE BEARING	1	
8	7H3048	£1.21	SPRING CLIP, release bearing	2	TB-TC
9	P162	£45.30	RING GEAR	1	
	P163	£45.30	RING GEAR, 10 3/8" ID	1	TD To (e) 9407
	P164	£47.50	RING GEAR, 10 3/4" ID	1	TD from (e) 9408, TF
10	320-524	£11.10	BOLT, flywheel to crank	4	TB-TC-TD & TF
11	325-328	£16.40	DOWEL SET, flywheel to crank, 2 dowels	1	
12	330-040	£10.50	PILOT BUSH, rear crankshaft	1	all models
13	321-048	£11.70	BOLT SET, housing to block, 10 bolts	1	
14	321-058	£8.80	BOLT SET, housing to gearbox, 8 bolts	1	TB & TC
15	321-010	£0.90	SCREW, top cover plate	2	
16	120-200	£15.30	OIL SEAL, clutch housing	1	TD & TF
	AAA5650	£6.20	OIL SEAL, clutch housing	1	
18	280-420	£15.60	FUME EXCLUDER, rubber	1	all models
19	406-700	£11.60	PLATE, pedal excluder retaining	1	
20	280-440	£3.30	PEDAL PAD, brake & clutch	2	TA-TB & TC
	ACA5359	£2.30	PEDAL PAD, brake & clutch	2	TD & TF
21	190-480	£23.40	PEDAL SHAFT	1	TA-TB & TC
22	190-500	£137.80	PEDAL SHAFT, LHD, as illustrated	1	TD & TF
	190-560	£36.90	PEDAL SHAFT, RHD	1	
23	327-050	£0.84	KEY, pedal shaft	1	TA-TB & TC
24	330-050	£9.60	BUSH, pedal	2	
25	330-358	£7.80	BUSH SET, in chassis	1	TD & TF LHD models
26	330-100	£7.60	BUSH, brake & clutch pedal	2	TD & TF
27	324-430	£9.30	WASHER, pedal spacing	2	TD & TF RHD models
28	326-050	£0.72	CIRCLIP, pedal shaft	2	
				1	TD & TF LHD models
				1	TD & TF LHD models
29	UHN405	£2.26	GREASE NIPPLE, pedal shaft	1	TD only
30	190-450	£61.30	CHAIN, clutch operating	1	
31	CLZ515	£1.48	PIN, chain to pedal	1	

ill.	Part Number	Price £ea.	Description	Req.	Details
32	190-410	£11.40	CLIP, clutch return spring	1	TB & TC
33	329-340	£12.70	SPRING, clutch return	1	TB To (c) 22250
34	190-470	£21.60	BRACKET, return spring, on starter	1	
35	331-070	£70.50	CLUTCH CABLE	1	TB-TC & TD To (e) 9407
36	190-590	£14.00	BRACKET, cable abutment	1	
	320-260	£1.48	BOLT, short 5 1/16"	1	TD From (c) 22251, TF
37	451-225	£60.30	CLUTCH ROD, RHD	1	
	451-220	£49.10	CLUTCH ROD, LHD	1	TD From (e) 9408, TF
38	190-400	£54.20	LEVER, with bush	1	
39	330-010	£29.00	BUSH, in lever	1	TD From (e) 9408, TF
40	190-390	£21.90	FULCRUM PIN, with nut	2	
41	AJD8336Z	£1.06	NUT, fulcrum pin	2	TD From (c) 22251, TF
42	324-560	£0.64	WASHER, fulcrum pin	1	
43	190-440	£15.20	BARREL PIN, clutch rod	1	TD From (e) 9408, TF
44	190-430	£21.20	NUT, clutch adjusting	1	
45	AJD8104	£0.53	LOCK NUT, clutch adjuster	1	TD From (e) 9408, TF
46	190-410	£11.40	CLIP, clutch return spring	1	
47	329-330	£10.70	SPRING, clutch return	1	TD To (e) 9407
48	190-422	£54.00	CLUTCH LINK	1	
49	190-370	£89.80	CLUTCH LEVER, 5/8" shaft	1	TD From (e) 9408, TF
	190-380	£91.40	CLUTCH LEVER, 3/4" shaft	1	
50	2K6930	£1.75	CLEVIS PIN	3	TD & TF
51	325-020	£2.20	PIN, clutch lever & fork	2	all models
52	327-050	£0.84	KEY, 5/8", clutch shaft	2	TB-TC & TD To (e) 9407
	WKN606	£2.16	KEY, 3/4", clutch shaft	2	TD From (e) 9408, TF
53	190-320	£76.90	CLUTCH SHAFT, 5/8"	1	TB-TC & TD To (e) 9407
	190-330	£66.60	CLUTCH SHAFT, 3/4"	1	TD From (e) 9408, TF
54	330-070	£20.70	BUSH, 5/8", shaft	2	TB-TC & TD To (e) 9407
	330-060	£6.00	BUSH, 3/4", shaft	2	TD From (e) 9408, TF
55	326-030	£0.60	CIRCLIP, 5/8", shaft	1	TB-TC & TD To (e) 9407
	326-140	£3.60	CIRCLIP, 3/4", shaft	1	TD From (e) 9408, TF
56	190-340	NCA	ACTUATING FORK, 5/8", shaft	1	TB-TC & TD To (e) 9407
	190-350	NCA	ACTUATING FORK, 3/4", shaft	1	TD From (e) 9408, TF
58	406-760	NCA	PEDAL PAD EXTENDER	2	TD & TF
59	406-750	£29.60	ALLOY PEDAL PAD	2	TB-TC-TD & TF
60	GAC5056	£6.40	CLUTCH ALIGNMENT TOOL	1	
62	406-710	£136.40	BRAKE PEDAL, RHD	1	TB-TC-TD & TF
63	406-720	£136.40	CLUTCH PEDAL, RHD	1	

Steering Conversion Parts - LHD To RHD, TD & TF

406-770	£118.00	ACCELERATOR PEDAL, RHD	1	must be welded through chassis
406-730	£139.30	PEDAL BOX, RHD	1	
406-780	£30.20	CHASSIS TUBE	1	less track control arms
263-134	£321.20	STEERING RACK, RHD	1	
190-560	£36.90	PEDAL SHAFT, RHD	1	TD only
406-710	£136.40	BRAKE PEDAL, RHD	1	
406-720	£136.40	CLUTCH PEDAL, RHD	1	TD only
233-570	£167.00	DASHBOARD FASCIA, plain*	1	
233-580	£201.30	DASHBOARD BACKING PANEL	1	

'T' Type Lubrication

		Classic 30 or Classic 40 Multigrade Engine Oil	Cam and Engine Assembly Lube	Running In Oil	Mild EP Hypoid Oil	Gear Oil 40	Hypoid 85W/140	Carburettor Dash Pot Mineral Oil	Trans 140 or Steering Box Lube	Shock Oil for all Piston Type Shock Absorbers	Trans 140 for Luvax Vane Shock Absorbers
Engine Rebuild	Engine Assembly		✓								
	Running In			✓							
500 Mile Intervals	King Pins	✓									
	Steering Ball Joints	✓									
	Road Spring Pins/Trunnions	✓									
	Pedal Shaft	✓									
1000 Mile Intervals	Prop Shaft	✓									
	Carb. Dampers							✓			
	Water Pump										
	Gearbox (top up) TA-TB-TC				✓						
	Gearbox (top up) TD-TF					✓					
	Rear Axle (top up) TA-TB-TC				✓						
	Rear Axle (top up) TD-TF						✓				
3000 Mile Intervals	Engine (refill)	✓									
	Air Cleaner Element	✓									
	Distributor Shaft	✓									
	Dist. Advance Mechanism	✓									
	Distributor Cam	✓									
	Dynamo	✓									
	Steering Box TA-TB-TC								✓		
6000 Mile Intervals	Gearbox (top up) TA-TB-TC				✓						
	Gearbox (top up) TD-TF					✓					
	Rear Axle (top up) TA-TB-TC				✓						
	Rear Axle (top up) TD-TF						✓				
	Rev. Counter Gearbox	✓									
	Handbrake Cables	✓									
	Steering Rack TD-TF	✓									
12000 Mile Intervals	Front Wheel Bearings	✓									
	Road Spring Leaves	✓									
	Shock Absorber (top up) TA										✓
	Shock Absorber (top up) TB-TF									✓	

Part Number Description

Grease

GGL9030X	NCA	GRAPHITE No. 3 GREASE, 500g
GGL843110	£9.50	SEMI FLUID GREASE, 500ml
GGL9034X	NCA	WATER PUMP GREASE, 50g

Engine Oil*

GGL812210	£8.50	CLASSIC 30, 20W/60, 1 litre
GGL812250	£30.00	CLASSIC 30, 20W/60, 5 litre
GGL812310	£9.00	CLASSIC 40, 25W/70, 1 litre
GGL812350	£28.00	CLASSIC 40, 25W/70, 5 litre

Note: These engine oils should be used where the engine has been rebuilt or the condition is known to be good. Non-detergent engine oils are available upon request.

Part Number Description

Gear Oil

GGL824110	£9.50	MILD EP, 1 litre
GGL821210	£8.50	GEAR OIL 40, 1 litre
GGL825110	£11.00	HYPOID 85W/140, 1 litre
GGL822210	£8.50	TRANSOIL 140, 1 litre
GGL843110	£9.50	SEMI FLUID GREASE, 1kg

Shock Absorber Oil

GGL822210	£8.50	TRANS 140 SHOCK ABSORBER, 1 litre (Trans 140 is for Luvax dampers).
GGL832110	£8.00	SHOCK OIL, 1 litre

Part Number Description

S.U. Carburettor Dashpot Oil

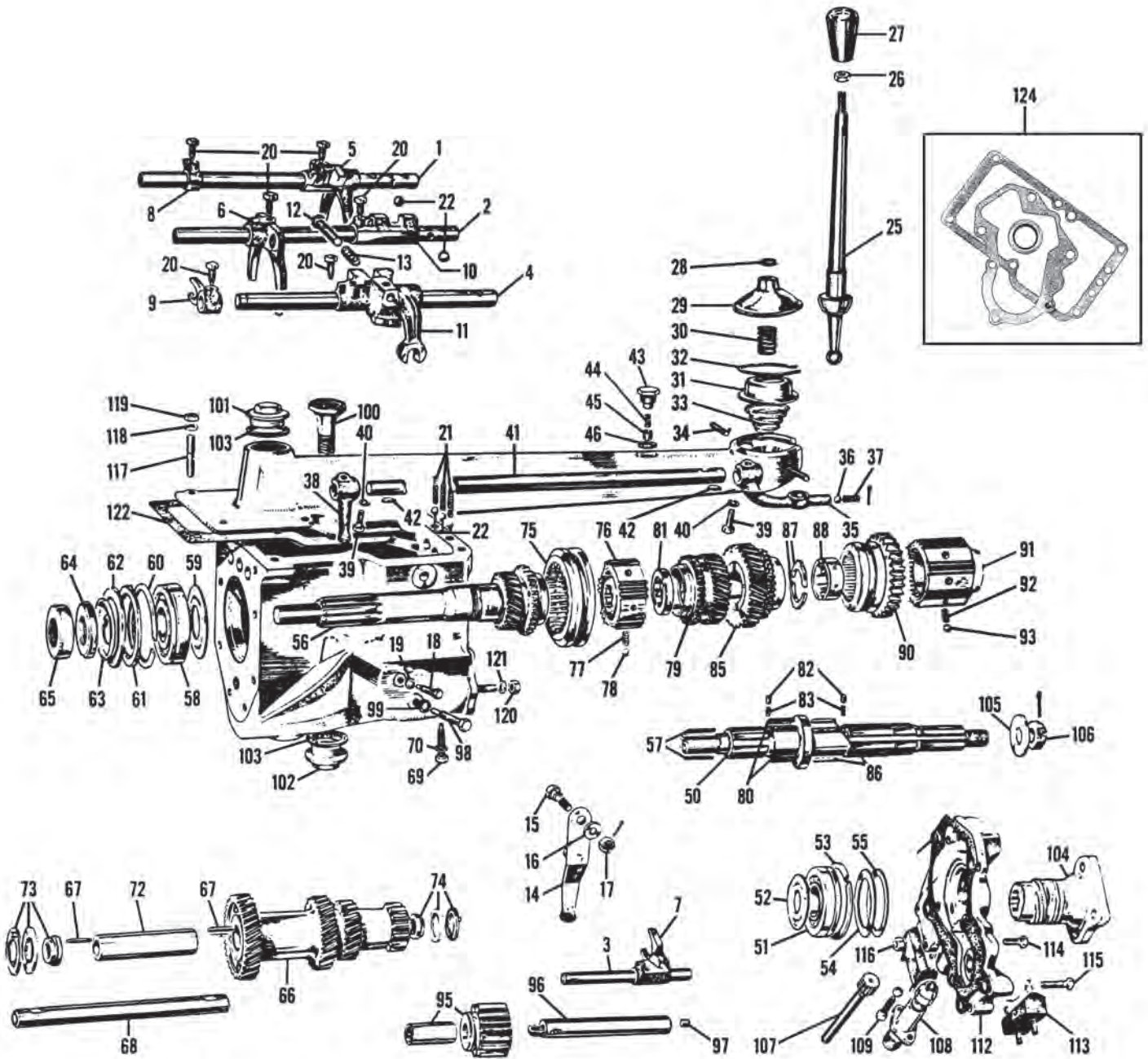
GGL9035X	NCA	DASHPOT OIL, 125ml
----------	-----	--------------------

Cam & Engine Assembly Lubricant

KEN2	£9.40	CAM & ENGINE LUBRICANT, 250ml
GGL9122X	NCA	GRAPHOGEN ASSEMBLY LUBE, 125g

Running In Oil

GGL819150	£25.00	RUNNING IN OIL, 5 litre
-----------	--------	-------------------------



iii. Part Number Price £ea. Description Req. Details

Gearbox Components - TB & TC

Selector Shafts & Forks

1	NCA	SELECTOR SHAFT, 1st & 2nd	1
2	NCA	SELECTOR SHAFT, 3rd & 4th	1
3	NCA	SELECTOR SHAFT, reverse fork	1
4	440-260	NCA SELECTOR SHAFT, reverse	1
5	NCA	FORK, 1st & 2nd gear selector	1
6	NCA	FORK, 3rd & 4th gear selector	1
7	NCA	FORK, reverse selector	1
8	442-020	NCA STOP, 2nd speed	1
9	442-010	NCA STEADY, reverse selector shaft	1
10	NCA	SELECTOR, 3rd & 4th gear	1
11	440-280	NCA SELECTOR, reverse gear	1
12	NCA	PLUNGER, reverse gear selector	1
13	329-190	£2.60 SPRING, reverse gear selector	1
14	NCA	LINK, reverse gear operating	1
15	NCA	FULCRUM PIN, operating link	1
16	NCA	WASHER, fulcrum pin	1
17	NCA	NUT, fulcrum pin	1

iii. Part Number Price £ea. Description Req. Details

18	NCA	LOCK BOLT, reverse fork shaft	1
19	GHF332	£0.40 WASHER, reverse shaft lock bolt	1
20	442-088	£1.90 LOCK BOLT SET, selector & fork	1 (6 lock bolts)
21	329-438	£24.40 SPRING SET, selector shaft	1 (3 springs)
22	329-588	£2.70 BALL SET, selector shafts	1 (5 balls)

Gearbox Extension Components

25	443-055	£89.50 GEAR LEVER	1
26	311-180	£1.62 NUT, gear lever, chrome	1
27	228-290	£23.10 GEAR KNOB, exact reproduction	1
28	NCA	CIRCLIP, gear lever	1
29	443-000	NCA COVER, upper, gear lever	1
30	329-160	NCA SPRING, upper, gear lever	1
31	1G3927	£14.20 COVER, lower, gear lever	1
32	1H3087	£7.80 CIRCLIP, lower, gear lever	1
33	11G3144	£28.20 SPRING, anti-rattle	1
34	AEG3106	£19.90 PIN, gear lever	2
35	443-050	NCA LEVER, actuating shaft	1
36	BLS108	£1.20 BALL, actuating shaft lever	1
37	AEG3123	£1.26 SPRING, actuating shaft lever	1

ill.	Part Number	Price £ea.	Description	Req.	Details
38	443-040		NCA SELECTOR LEVER	1	
39			NCA BOLT, selector & actuating shaft lever	2	
40	GHF331	£0.38	WASHER, lever bolt	2	
41	443-150		NCA OPERATING SHAFT, gear change	1	
42	327-030	£1.20	KEY, operating shaft	2	
43	443-020	£51.50	CAP, operating shaft	1	
44	AE63123	£1.26	SPRING, operating shaft	1	
45	AE63124		NCA PLUNGER, operating shaft	1	
46	6K638	£0.30	WASHER, operating shaft cap	1	

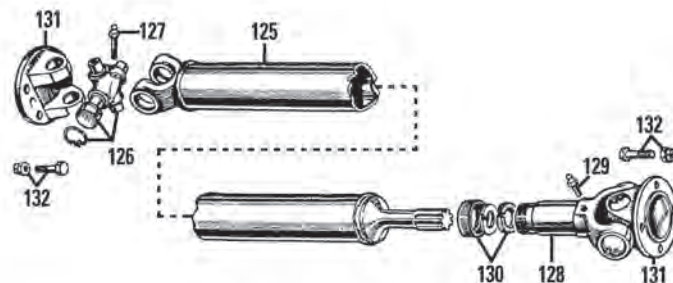
Mainshaft - Gears & Bearings

50			NCA MAINSHAFT	1	
51	126-200	£13.50	BEARING, rear mainshaft	1	
52	440-210		NCA GUARD, rear mainshaft bearing	1	
53			NCA CIRCLIP, rear mainshaft bearing	1	
54	441-440	£8.50	PLATE, guard	1	
55	441-170	£2.86	SPRING PLATE, guard	1	
56			FIRST MOTION SHAFT	1	
57	442-248	£73.20	ROLLER BEARING SET, 13 rollers	1	first motion shaft
58	128-200	£25.00	BEARING, first motion shaft	1	
59			NCA GUARD, first motion shaft bearing	1	
60			NCA CIRCLIP, first motion shaft bearing	1	
61			NCA PLATE, guard	1	
62	848-910		NCA SPRING PLATE, guard	1	
63			NCA LOCK WASHER, bearing	1	
64	440-150		NCA NUT, first motion shaft	1	
65	120-200	£15.30	OIL SEAL, first motion shaft	1	
66			NCA CLUSTER GEAR	1	
67	442-258	£187.40	ROLLER BEARING SET, 30 rollers	1	cluster gear
68	440-130	£129.10	SHAFT, cluster gear	1	
69	440-080		NCA LOCK BOLT, cluster shaft	1	
70	GHF332	£0.40	WASHER, cluster shaft bolt	1	
72			NCA SPACING TUBE, roller bearing	1	
73	440-110	£112.50	THRUST WASHER ASSEMBLY, front	1	
74	440-120	£112.40	THRUST WASHER ASSEMBLY, rear	1	
75			NCA SLEEVE ASSEMBLY, 3rd & 4th	1	
76			NCA SLIDING HUB, 3rd & 4th	1	
77	329-030	£6.00	SPRING, 3rd & 4th sliding hub	6	
78	329-598	£2.40	BALL SET, 3rd & 4th sliding hub	1	6 balls
79			NCA THIRD GEAR	1	
80	442-338	£11.00	ROLLER BEARING SET, third gear	1	36 rollers
81	440-180		NCA LOCK PLATE, third gear	1	
82	442-100	£12.00	PLUNGER, 2nd & 3rd gear	2	
83	442-110	£1.50	SPRING, 2nd & 3rd gear	2	
85	440-030		NCA SECOND GEAR	1	
86	442-228	£145.10	ROLLER BEARING SET, second gear	1	22 rollers
87			NCA SPLIT WASHER, second gear	2	
88			NCA COLLAR, second gear	1	
90			NCA FIRST GEAR	1	
91			NCA SLIDING HUB, 1st & 2nd	1	
92	329-030	£6.00	SPRING, 1st & 2nd sliding hub	6	
93	329-598	£2.40	BALL SET, 1st & 2nd sliding hub	1	6 balls
95			NCA REVERSE GEAR, includes bush	1	
96	442-030		NCA SHAFT, reverse gear	1	
97			NCA PLUG, reverse gear shaft	1	
98	440-080		NCA LOCK BOLT, reverse gear shaft	1	
99	GHF332	£0.40	WASHER, reverse shaft bolt	1	

Gearbox Case Fittings & Mountings

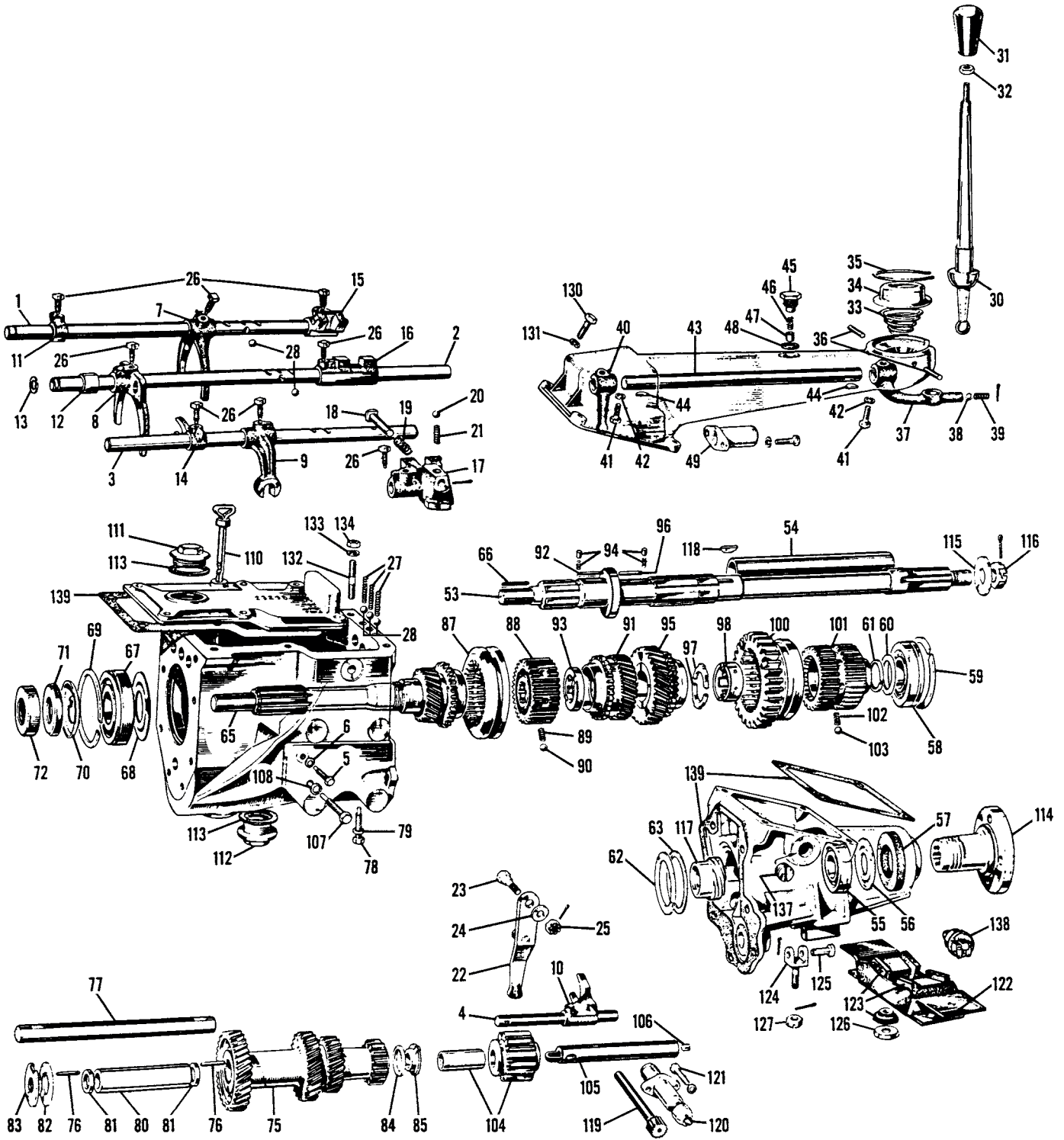
100	440-360		NCA DIPSTICK	1	
101	442-040	£22.50	PLUG, oil filler	1	
102	442-050	£20.80	PLUG, oil drain	1	
103	6K432	£2.86	WASHER, drain plug, copper	a/r	oil filler & drain plug
104			NCA FLANGE, rear	1	
105	324-460	£0.77	WASHER, rear flange	1	
106	311-310	£41.40	NUT, rear flange to mainshaft	1	
107			NCA PINION, speedometer	1	
108			NCA HOUSING, speedometer pinion	1	
109			NCA SCREW, speedometer pinion housing	2	
112	440-320	£310.70	COVER PLATE, rear gearbox	1	
113	410-040	£73.40	MOUNTING, rear gearbox	2	
114	320-680	£3.50	BOLT, mounting to cover, short, 20mm	2	
115	320-690	£8.70	BOLT, mounting to cover, long, 41mm	2	
116	311-280	£1.16	NUT, rear mounting bolt	2	
117	328-747	£4.66	STUD, top cover	6	
118	GHF332	£0.40	WASHER, top cover stud	6	
119	311-100	£1.60	NUT, top cover stud	6	
120	311-190	£0.41	NUT, rear cover stud, 10mm	3	
	AJD8106Z	£0.47	NUT, rear cover, 3/8", BSF	2	
121	GHF333	£0.30	WASHER, rear cover stud	3	
	GHF332	£0.40	WASHER, rear cover	2	

ill.	Part Number	Price £ea.	Description	Req.	Details
			Gaskets		
122	293-700	£8.60	GASKET, top gearbox cover	1	
123	293-800	£7.80	GASKET, rear gearbox cover	1	
124	298-308	£28.60	GASKET & SEAL SET, gearbox	1	includes front seal



TA-TB & TC Propshaft & Fittings

125	268-015	£188.80	PROPSHAFT	1	
126	GUJ115	£9.90	UNIVERSAL JOINT, greaseable	2	
	GUJ115Z	£8.10	UNIVERSAL JOINT, greaseable	2	aftermarket
127	549229A	£1.84	GREASE NIPPLE, universal joint	2	
128	7H3865	£31.40	YOKE	1	
129	549229A	£1.84	GREASE NIPPLE, yoke	1	
130	7H3880X	£4.00	DUST CAP & CORK SEAL SET, yoke	1	
131	7H3863	£17.60	FLANGE	2	
132	321-338	£10.20	BOLT & NUT SET	2	4 bolts & nuts for 1 flange



iii. Part Number Price £ea. Description Req. Details

Gearbox Components - TD & TF

Selector Shafts & Forks

1	441-300	£94.60	SELECTOR SHAFT, 1st & 2nd	1
2	441-310	£100.70	SELECTOR SHAFT, 3rd & 4th	1
3	441-320	£64.00	SELECTOR SHAFT, reverse	1
4	441-280	NCA	SELECTOR SHAFT, reverse fork	1
5		NCA	LOCK BOLT, reverse fork shaft	1
6	GHF331	£0.38	WASHER, reverse shaft lock bolt	1
7	441-340	NCA	FORK, 1st & 2nd gear selector	1
8	441-350	NCA	FORK, 3rd & 4th gear selector	1
9	441-360	NCA	FORK, upper reverse gear selector	1
10	441-270	NCA	FORK, lower reverse gear selector	1
11	442-020	NCA	STOP, 2nd speed	1
12	441-330	NCA	SPACER, 3rd & 4th selector shaft	1

iii. Part Number Price £ea. Description Req. Details

13	326-010	NCA	CIRCLIP, 3rd & 4th selector shaft	1
14	442-010	NCA	STEADY, reverse selector shaft	1
15	441-370	NCA	SELECTOR, 1st & 2nd gear	1
16	441-380	NCA	SELECTOR, 3rd & 4th gear	1
17		NCA	SELECTOR, reverse gear	1
18	441-400	£48.50	PLUNGER, reverse gear selector	1
19	329-190	£2.60	SPRING, reverse selector plunger	1
20	BLS110	£0.41	BALL, reverse gear selector	1
21		NCA	SPRING, reverse gear selector	1
22	441-290	NCA	LINK, reverse gear operating	1
23		NCA	FULCRUM PIN, operating link	1
24		NCA	WASHER, fulcrum pin	1
25		NCA	NUT, fulcrum pin	1
26	442-098	£2.86	LOCK BOLT SET, selector & fork	1 8 lock bolts
27	329-040	£3.00	SPRING, selector shaft	3
28	BLS110	£0.41	BALL, selector shaft	5

Ill.	Part Number	Price £ea.	Description	Req.	Details
Gearbox Extension Components					
30	443-055	£89.50	GEAR LEVER	1	
31	228-290	£23.10	GEAR KNOB, exact reproduction	1	
32	311-180	£1.62	NUT, gear lever, chrome	1	
33	11G3144	£28.20	SPRING, anti-rattle	1	
34	1G3927	£14.20	COVER, gear lever	1	
35	1H3087	£7.80	CIRCLIP, gear lever cover	1	
36	AEG3106	£19.90	PIN, gear lever	2	
37	443-050	NCA	LEVER, actuating shaft	1	
38	BLS108	£1.20	BALL, actuating shaft lever	1	
39	AEG3123	£1.26	SPRING, actuating shaft lever	1	
40	443-040	NCA	SELECTOR LEVER	1	
41	NCA	BOLT, selector & actuating shaft lever	2		
42	GHF331	£0.38	WASHER, lever bolt	2	
43	443-010	£49.30	OPERATING SHAFT, gear change	1	
44	327-030	£1.20	KEY, operating shaft	2	
45	443-020	£51.50	CAP, operating shaft	1	
46	AEG3123	£1.26	SPRING, operating shaft	1	
47	AEG3124	NCA	PLUNGER, operating shaft	1	
48	6K638	£0.30	WASHER, operating shaft cap	1	
49	441-640	NCA	SUPPORT CAP, 3rd & 4th selector shaft	1	TD From (e)16482, TF

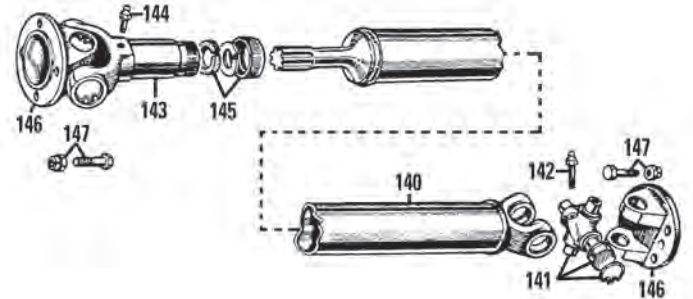
Mainshaft - Gears & Bearings

53	451-130	NCA	MAINSHAFT	1	
54	441-430	NCA	DISTANCE PIECE, mainshaft	1	
55	533360A	£18.40	BEARING, rear mainshaft	1	
56	441-180	£14.40	GUARD, rear mainshaft bearing	1	
57	121-300	£7.10	OIL SEAL, rear case, felt	1	
58	AEF137	£21.00	BEARING, centre mainshaft	1	
59	AAA5636	NCA	CIRCLIP, centre mainshaft bearing	1	
60	324-480	NCA	WASHER, centre mainshaft bearing	1	
61	326-070	NCA	CIRCLIP, centre mainshaft bearing	1	
62	441-440	£8.50	GUARD PLATE	1	centre mainshaft bearing
63	441-170	£2.86	SPRING PLATE	1	
65	441-060	£532.20	FIRST MOTION SHAFT	1	
66	8G2404	£0.89	ROLLER BEARING, 1st motion shaft	18	
67	AEF135	£20.70	BEARING, first motion shaft	1	
68	441-120	£7.00	GUARD, first motion shaft bearing	1	
69	NCA	CIRCLIP, first motion shaft bearing	1		
70	441-110	£6.90	LOCK WASHER	1	1st motion shaft bearing
71	441-100	£63.60	NUT, first motion shaft	1	
72	AAA5650	£6.20	OIL SEAL, first motion shaft	1	
75	441-010	£660.60	CLUSTER GEAR	1	
76	442-278	£86.10	ROLLER BEARING SET, cluster gear	1	
	442-260	£3.40	ROLLER BEARING, cluster gear	28	
77	441-250	£64.50	SHAFT, cluster gear	1	
78	441-260	£15.30	LOCK BOLT, cluster shaft	1	
79	GHF331	£0.38	WASHER, cluster shaft bolt	1	
80	441-240	NCA	SPACING TUBE, roller bearing	1	
81	441-230	NCA	WASHER, roller bearing	2	
82	441-190	£29.40	THRUST WASHER, front	1	
83	441-210	£53.40	PLATE, front thrust washer	1	
84	441-200	£28.70	THRUST WASHER, rear	1	
85	441-220	£43.00	PLATE, rear thrust washer	1	
87	441-090	£190.90	SLEEVE ASSEMBLY, 3rd & 4th	1	
88	441-080	£224.70	SLIDING HUB, 3rd & 4th	1	
89	329-200	£8.20	SPRING, 3rd & 4th sliding hub	6	
90	BLS110	£0.41	BALL, 3rd & 4th sliding hub	7	
91	441-040	NCA	THIRD GEAR	1	
92	442-328	£9.00	ROLLER BEARING SET, 32 rollers	1	3rd gear
93	NCA	COLLAR, third gear	1		
94	442-128	NCA	SPRING & PLUNGER SET	2	2nd & 3rd gear, 1 of each
95	441-030	£237.10	SECOND GEAR	1	
96	442-318	£8.90	ROLLER BEARING SET, 28 rollers	1	
97	441-168	NCA	SPLIT WASHER SET, 2 washers	1	2nd gear
98	NCA	COLLAR	1		
100	441-020	£227.82	FIRST GEAR	1	
101	441-070	£212.20	SLIDING HUB, improved design	1	1st & 2nd gear
102	329-180	£5.10	SPRING	6	1st & 2nd sliding hub
103	BLS110	£0.41	BALL	6	
104	441-050	£126.50	REVERSE GEAR, includes bush	1	
105	442-030	NCA	SHAFT, reverse gear	1	
106	NCA	PLUG, reverse gear shaft	1		
107	NCA	LOCK BOLT, reverse gear shaft	1		
108	GHF332	£0.40	WASHER, reverse shaft bolt	1	

Gearbox Case Fittings, Gasket Set & Mountings

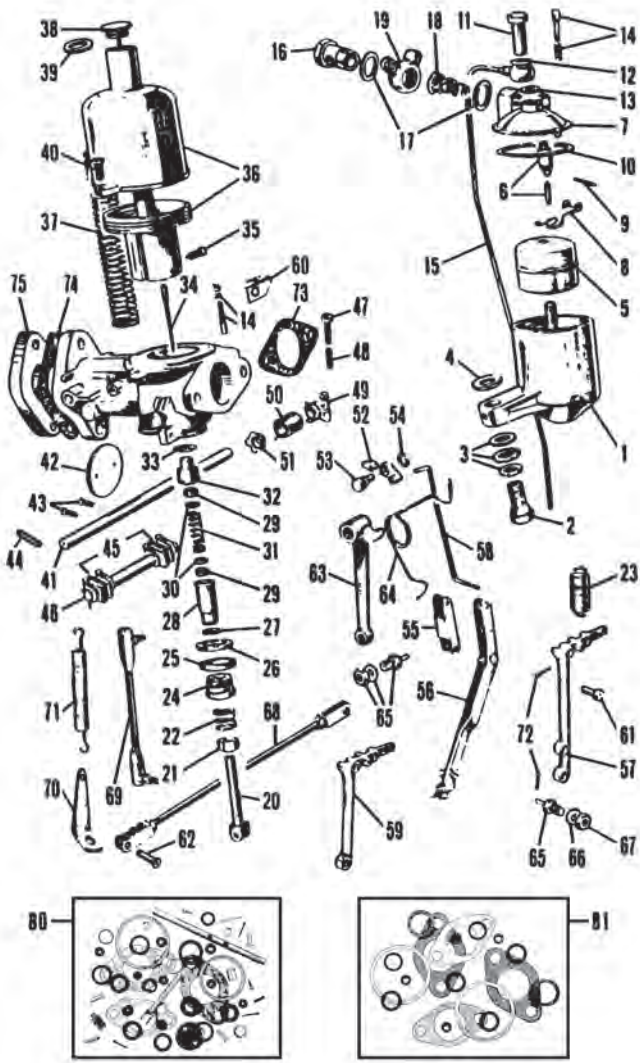
110	441-420	NCA	DIPSTICK	1	
111	442-040	£22.50	PLUG, oil filler	1	
112	442-050	£20.80	PLUG, oil drain	1	
113	6K432	£2.86	WASHER, oil filler & drain plug	2	

Ill.	Part Number	Price £ea.	Description	Req.	Details
	114	NCA	FLANGE, rear	1	
	115	£0.77	WASHER, rear flange	1	
	116	£41.40	NUT, rear flange to mainshaft	1	
	117	NCA	GEAR, speedometer	1	
	118	£1.00	KEY, speedometer gear	1	TD From (e)16978, TF
	119	NCA	PINION, speedometer gear	1	
	120	NCA	HOUSING, speedometer pinion	1	
	121	£7.20	SCREW, speedometer pinion housing	1	
	122	£78.00	SUPPORT BRACKET, rear mounting	1	
	123	£18.50	MOUNTING SET, gearbox, rubber	1	pair
		£10.60	MOUNTING, gearbox, rubber	2	single
	124	£40.90	FORK, rear mounting	1	
	125	£1.48	CLEVIS PIN, fork	1	
	126	£1.16	WASHER, cupped	1	
	127	£2.70	NUT, rear mounting fork	1	
	130	£1.43	BOLT, remote control cover	4	
	131	£0.40	WASHER, cover bolt	4	
	132	£4.66	STUD, top cover	6	
	133	£0.40	WASHER, top cover stud	6	
	134	£1.60	NUT, top cover stud	6	
	137	NCA	PLUG, reverse light switch hole	1	
	138	NCA	SWITCH, reverse light	1	optional
		£9.20	Switch, reverse light, aftermarket	1	optional
	139	£11.30	GASKET SET, gearbox	1	



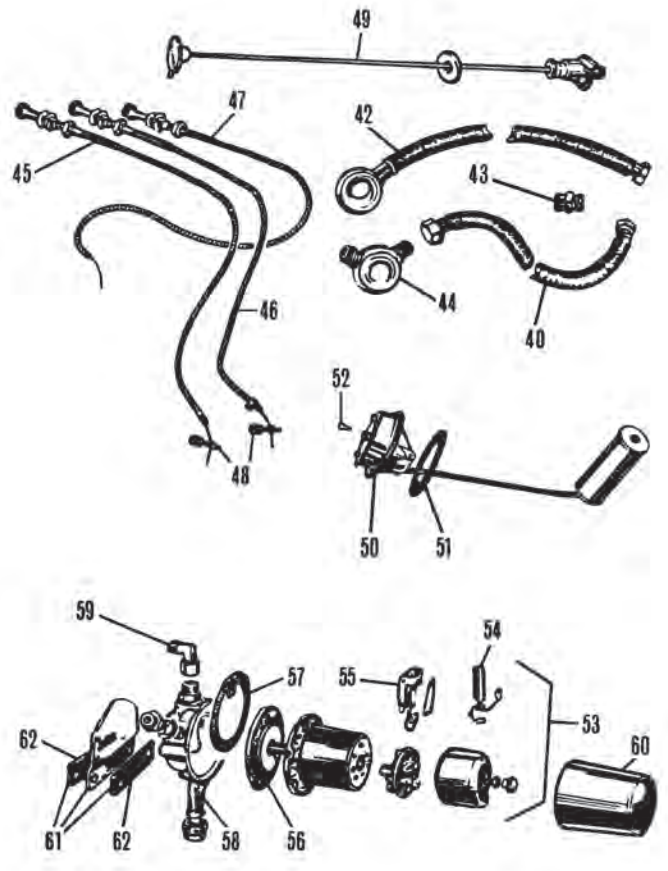
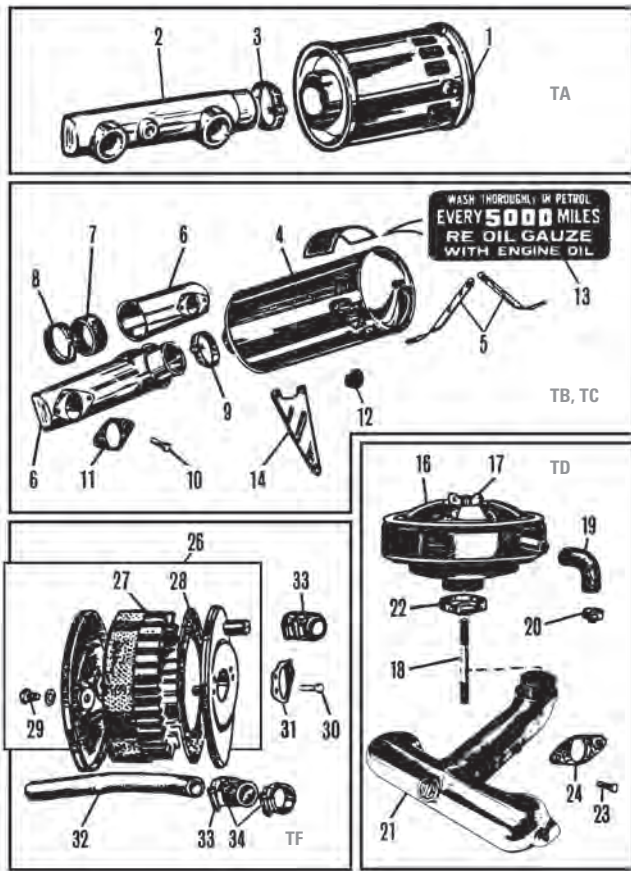
TD & TF Propshaft & Fittings

140	268-025	£176.10	PROPSHAFT	1	
141	GUJ115	£9.90	UNIVERSAL JOINT, greaseable	2	
	GUJ115Z	£8.10	UNIVERSAL JOINT, greaseable	2	aftermarket
142	7H3858	£2.40	GREASE NIPPLE, universal joint	1	
143	7H3865	£31.40	YOKE	1	
144	549229A	£1.84	GREASE NIPPLE, yoke	1	
145	7H3880X	£4.00	DUST CAP & CORK SEAL SET, yoke	1	
146	7H3863	£17.60	FLANGE	2	
147	321-338	£10.20	BOLT & NUT SET	2	4 bolts & nuts for 1 flange



ill.	Part Number	Price £ea.	Description	Req.	Details
Carburettors & Fittings (All Models)					
NI	NCA		CARBURETTORS, new, pair	1	TA, brass piston
NI	AUC429T	£1,260.00	CARBURETTORS, new, pair*	1	TB & TC
NI	AUC549T	£1,260.00	CARBURETTORS, new, pair, 1 1/4**	1	TD
NI	AUC728T	£1,296.00	CARBURETTORS, new, pair, 1 1/2**	1	TD MkII & TF
*Note: Our Brand New (non-exchange) carburettors are supplied in matched pairs, less linkage.					
1	AUC3495	£192.00	FLOAT BOWL, front	1	} TB-TC-TD & TF
	AUC3496	£192.00	FLOAT BOWL, rear	1	
2	AUC1541	£10.30	BOLT, float bowl to carburettor	2	} 3 washers
3	AUE6	£2.70	WASHER SET, float bowl bolt*	2	
4	AUC2130	£1.00	WASHER, bowl to carburettor, fibre*	2	} 2
5	WZX1303	£18.40	FLOAT	2	
6	WZX1101A	£11.40	NEEDLE & SEAT*	2	} 2
	GAC9201X	£9.10	GROSE-JET (Grose-Jets are a superior replacement for the original type needle & seat).	2	
7	AUE479	£82.50	COVER SET, front, includes lever	1	} TB-TC-TD & TF
	AUE478	£82.50	COVER SET, rear, includes lever	1	
8	AUC1980	£9.00	LEVER, float bowl cover	2	} original cover
9	AUC1152	£0.60	PIN, lever*	2	
10	AUC1147A	£0.84	GASKET, float bowl cover*†	2	} 2
11	AUC1867X	£6.50	CAP NUT, float bowl cover	2	
12	AUC1557	£0.48	WASHER, cover bolt, aluminium*	2	} 2
13	AUC1928	£0.80	WASHER, cover bolt, fibre*	2	
14	WZX1105	£5.90	PIN & SPRING ASSEMBLY, brass	2/4	} 1 1/2" carburettor uses 4
15	AUC1866	£16.00	OVERFLOW PIPE	2	
16	AUC2698	£3.50	BANJO BOLT, petrol pipe	2	} 2
17	AUC2141	£0.50	WASHER, banjo bolt, fibre*	2	
18	AUC2139	£5.40	SCREEN, petrol filter	4	} MkII uses 2
19	AUC1832	£17.20	BANJO, petrol pipe	1/2	
20	AUC8182	£12.00	JET*, 0.090"	2	} 2
21	AUC2121	£3.00	NUT, jet adjusting	2	

ill.	Part Number	Price £ea.	Description	Req.	Details	
22	AUC2114	£1.40	SPRING, jet adjusting nut	2	} 2 TA 1 1/4", carburettors 2 TB-TC & TD 1 1/4", carbs. 2 TD MkII 1 1/2", carbs. 2 TF 1 1/2", carburettors 2 all models	
23	AUC4667	£5.30	SPRING, jet return	2		
24	AUC3232	£5.00	NUT, jet securing	2		
25	AUC2117	£3.20	WASHER, jet securing nut	2		
26	AUC2118	£0.90	GASKET, cork, jet securing nut*†	2		
27	AUC3233	£1.40	WASHER, bottom jet bearing, copper*	2		
28	WZX1593	£27.00	BEARING, bottom jet	2		
29	AUC2120	£1.21	JET SEAL, cork*†	4		
	RTC165A	£1.84	O RING, neoprene	4		alternative
30	AUC2119	£2.10	WASHER, jet seal, brass*	4		
31	AUC1158	£2.80	SPRING, jet	2		
32	AUC3230	£7.80	BEARING, top jet	2		
33	AUC2122	£0.90	WASHER, top jet bearing, copper*	2		
34	AUD1034	£15.80	JET NEEDLE, AC, standard	2		
	AUD1166	£16.00	JET NEEDLE, ES, standard	2		
	AUD1258	£15.80	JET NEEDLE, LS1, standard	2		
	AUD1214	£16.00	JET NEEDLE GJ, standard	2		
	AUD1046	£15.80	JET NEEDLE, weak	2		
35	370-100	NCA	SCREW, jet needle retaining	2		
36		NCA	CHAMBER ASSEMBLY, 1 1/4", carbs.	2	TB-TC & TD	
		NCA	CHAMBER ASSEMBLY, 1 1/2", carbs.	2	TD MkII & TF	
37	AUC4587	£4.70	SPRING, piston, if fitted	2	} 2	
38	AUC8103RB	£28.80	CAP & DAMPER, round brass cap	2		
	AUC8103A	£21.30	CAP & DAMPER, *plastic cap	2		TB-TC & TD
*Note: Alternative to original brass cap.						
	AUC8102HB	£28.80	CAP & DAMPER, hexagon brass cap	2	} 2	
	AUC8102A	£21.30	CAP & DAMPER, *plastic cap	2		TD MkII & TF
*Note: Alternative to original brass cap.						
39	AUC2141	£0.50	WASHER, piston damper	2	} (1 1/4" carbs use 4)	
40	370-285	£3.50	SCREW, chamber to body, brass	4/6		
41	376-010	£21.70	THROTTLE SHAFT, standard	2		
	AUC3242	£21.30	THROTTLE SHAFT, standard	2		
	376-020	£21.70	THROTTLE SHAFT, oversize	2		
	AUC3242RP	£21.30	THROTTLE SHAFT, oversize	2		
42	WZX1320	£12.20	DISC, throttle	2		
	WZX1323	£13.40	DISC, throttle	2		
43	AUC1358	£0.90	SCREW, throttle disc	4		
44	AUC2106	£1.00	PIN, levers to throttle shaft	2		
45	375-028	£28.55	COUPLING KIT, throttle shaft	1		incl. coupling rod & couplers
46	AUE75	£15.00	COUPLING ASSEMBLY	2		
47	AUC3464	£0.90	SCREW, idle adjustment	3		
48	AUC2451	£1.00	SPRING, idle adjustment	3		
49	AUC4771	£11.90	CLIP, retaining	2		
50	AUC4781	£6.20	SPRING, rear	1	} late TC-TD & TF	
	AUC4782	£5.60	SPRING, front	1		
51	AUC4770	£16.20	ANCHOR, spring	2		
52	AUC3502	£17.60	LEVER, fast idle	1	} 1	
53	AUC3471	£3.90	PIVOT BOLT, fast idle lever	1		TD & TF
54	AUC4848	£2.20	WASHER, pivot bolt	1	} 1	
55	AUC4819	£23.20	LINK, jet lever to carburettor	2		TB & TC
56	AUE63	£13.40	LINK, rear jet lever to carburettor	1	TD & TF	
57	370-415	£61.40	JET LEVER, rear	1	TB & TC	
	AUC3234	£67.20	JET LEVER, rear	1	TD & TF	
58	AUC4853	£12.80	LINK, fast idle	1	} 1	
59	370-405	£61.40	JET LEVER, front	1		TB & TC
	AUC3346	NCA	JET LEVER, front	1	TD & TF	
60	372-580	£17.50	ANCHOR CLIP, slow-running control	1	TB & TC	
61	AUC2381	£1.80	CLEVIS PIN, short	a/r	} a/r	
62	AUC2108	£3.20	CLEVIS PIN, long	a/r		
63	372-590	£235.00	LEVER, slow-running	1	TB & TC	
64	372-600	£6.10	SPRING, slow-running	1	} 1	
65	AUC5062K	£2.80	CABLE STOP SET, slow-run & choke	1/2		
66	AED381	£0.70	WASHER, plain	1/2	TB & TC, TC uses 2	
67	GHF200	£0.22	NUT	1/2	} 1	
68	370-840	£26.40	LINK, between jet levers	1		
69	372-010	£54.70	LINK, throttle	1		
70	433-550	£27.50	BRACKET, throttle spring, on starter	1		TB-TC-TD & TF
71	329-310	£10.20	SPRING, throttle return	1		
72	375-078	£1.20	SPLIT PIN SET, (8 pins)*	1		
73	294-600	£1.96	GASKET, carburettor to filter*†	2		TB-TC & TD
	12G2125	£0.46	GASKET, carburettor to filter*†	2		TD MkII & TF
74	1G2624	£0.54	GASKET, carburettor to manifold*†	2		TA-TB-TC & TD
	AEH551	£1.00	GASKET, carburettor to manifold*†	2/4		TD MkII & TF, TF uses 4
75	AHH5713	£5.90	SPACER, carburettor	2		TF
Note: Rebuild kits also include a jet adjustment spanner as well as all items marked ().						
†Note: Gasket kits include all items marked (†). All our kits service two carburettors						
80	375-218	£69.60	REBUILD KIT, carburettor, 1 1/4" carb.	2	TB-TC & TD	
	375-258	£102.00	REBUILD KIT, carburettor, 1 1/2" carb.	1	TD MkII	
	375-228	£123.00	REBUILD KIT, carburettor, 1 1/2" carb.	1	TF	
81	298-008	£21.30	GASKET SET*	1	TB & TC	
	298-108	£18.10	GASKET SET*	1	TD	
	298-208	£19.90	GASKET SET*	1	TD MkII & TF	



iii. Part Number Price £ea. Description Req. Details

Air Cleaners & Fittings (All Models)

1	372-490	NCA	AIR CLEANER CANISTER	1	TA
2	372-495	£118.00	AIR CLEANER MANIFOLD	1	
3	CS4038	£1.50	CLAMP, manifold to canister	1	
4	372-150	£252.80	AIR CLEANER CANISTER	1	TB & TC
5	370-918	£45.90	BRACKET SET, mounting, 2 brackets	1	
6	372-145	£229.55	MANIFOLD SET, air inlet	1	
7	280-175	£14.30	COLLAR, air inlet manifold	1	
8	372-155	£37.20	CLAMP, inlet manifold collar	1	
9	CS4038	£1.50	CLAMP, manifold to canister	1	
10	320-290	£1.43	BOLT, carburettor to air cleaner	4	
11	294-600	£1.96	GASKET, carburettor to air cleaner	2	
12	280-160	£2.21	GROMMET, filter to rocker cover	1	
13	CRST253	£5.35	AIR FILTER DECAL	1	
14	370-900	£51.00	BRACKET, starter & choke cable	1	TD
16	373-225	£203.50	AIR CLEANER CANISTER	1	
17	373-340	£5.80	WING NUT, air cleaner stud	1	
18	373-350	NCA	STUD, air cleaner mounting	1	
19	280-180	£8.05	ELBOW, filter to rocker cover, rubber	1	
20	326-260	£4.00	CLAMP, rubber elbow	2	
21	373-335	£302.51	MANIFOLD, air inlet	1	
22	GHC11055	£3.20	CLAMP, manifold to cleaner	1	
23	320-290	£1.43	BOLT, carburettor to air cleaner	4	
24	294-600	£1.96	GASKET, carburettor to air cleaner	2	
26	12G2125	£0.46	GASKET, carburettor to air cleaner	2	TD MkII
27	372-165	£183.80	AIR CLEANER SET, front & rear	1	
28	372-167	£148.50	CASE, air filter	2	with breather, steel case only
29	372-175	£28.70	ELEMENT, air cleaner	2	
30	AHH5441K	£16.20	FELT PAD	4	TF
31	320-360	£1.10	BOLT, carburettor to air cleaner	4	
32	320-360	£1.10	BOLT, air cleaner	4	
33	12G2125	£0.46	GASKET, carburettor to air cleaner	2	
34	372-020	£22.20	BREATHER PIPE, air cleaner	1	
35	12B703	£1.70	HOSE SET, breather pipe, 2 hoses	1	
36	MM326-250	£2.00	CLAMP, breather pipe hose	4	

Fuel Pump/Hoses & Control Cables (All Models)

Note: See the Accessories section for performance & tuning. Our Flexible fuel hoses are braided Stainless Steel with a non-ageing Teflon interior, and they are guaranteed for life.

40	376-090	£20.10	FUEL HOSE, pump to carb. 18**	1	TB-TC & TD MkII
41	AAA294	£22.60	FUEL HOSE, pump to carb. 16**	1/3	TA-TD, MkII uses 3 & TF

iii. Part Number Price £ea. Description Req. Details

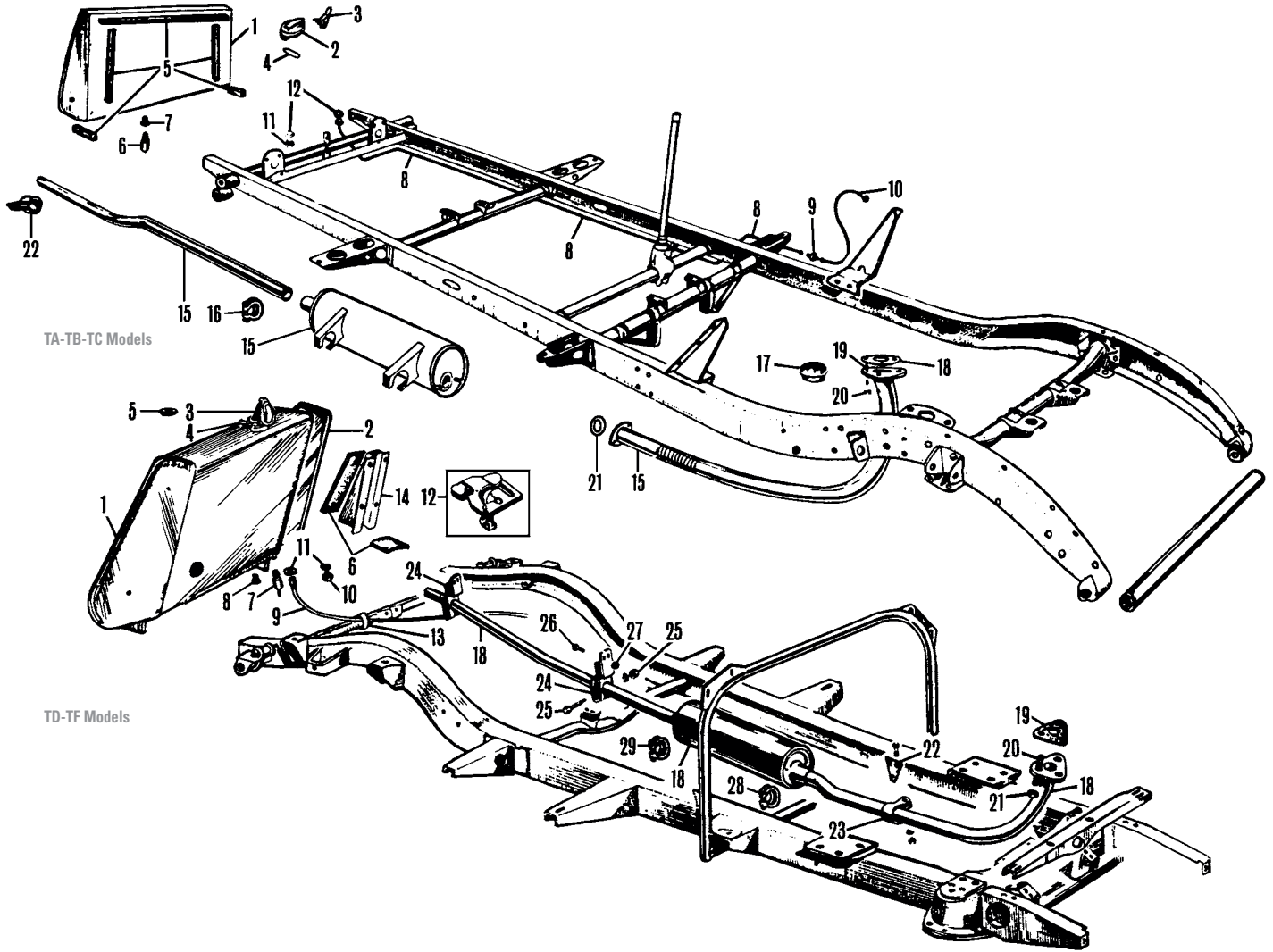
42	376-055	NCA	FUEL HOSE, carb. to carb., 8**	1	TA
43	376-080	£18.90	FUEL HOSE, carb. to carb., 14**	1	TB-TC & TD
44	ACH8977	£15.80	FUEL HOSE, carb. to carb., 16**	1	TF

*Note: Braided stainless steel.

45	376-300	£28.60	UNION, fuel pipe	1	TD MkII
46	AUC1832	£17.20	BANJO, fuel pipe	1/2	TD MkII uses 2
47	MM331-390	£65.70	SLOW-RUNNING CABLE	1	TA-TB & TC
48	331-380	£70.70	CHOKE CABLE	1	TA-TB & TC
49	331-290	£48.80	CHOKE CABLE	1	TD
50	331-410	£50.20	CHOKE CABLE	1	TF
51	331-370	£85.40	STARTER CABLE	1	TA-TB & TC
52	331-280	£43.20	STARTER CABLE	1	TD
53	331-400	£43.20	STARTER CABLE	1	TF

Note: You may need to cut the cable length to fit.

54	ACC5062K	£2.80	CABLE STOP	1/2	TA-TB & TC use 2
55	360-060	NCA	FUEL RESERVE TAP	1	TA & TB
56	360-051	£47.20	FUEL TANK FLOAT UNIT	1	2 piece
57	293-401	£4.50	GASKET SET, top cover & mounting	1	
58	2H1082	£0.48	GASKET, float unit	1	TC-TD & TF
59	293-401	£4.50	Gasket Set, Viton	1	screw set incl. 6 screws
60	323-728	£5.10	SCREW SET, float unit to tank	1	
61	AUA25	£136.20	FUEL PUMP, SU	1	TA, TB, TC, TD,
62	AUA25B	£298.50	FUEL PUMP, SU, brass body	1	& TF to (c) 1509
63	AZX1331	£108.00	FUEL PUMP, SU	1	TF From (c) 1510
64	CZX1004	£8.50	DIODE, negative earth	1	rear mounting
65	CZX1005	NCA	DIODE, positive earth	1	
66	AUB6113	NCA	POINT SET, SU, single point	1	alternatives
67	AUB6106A	£14.50	POINT SET, SU, twin point	1	
68	AUB6098	£32.80	DIAPHRAGM, fuel pump	1	TA-TB-TC-TD
69	AUB6082	£28.70	DIAPHRAGM, fuel pump	1	& TF To (c) 1509
70	WZX1710	£39.30	DIAPHRAGM, fuel pump	1	& TF To (c) 1509
71	AUA4082	£1.40	GASKET, fuel pump body	1	TF from (c) 1510
72	AUA1464	£6.60	FILTER SCREEN, fuel pump	1	all models
73	MM375-038	£17.20	ELBOW, fuel pump outlet	1	
74	ACG5147	£10.00	RUBBER BOOT, weather protection	1	all models
75	377-278	£35.20	MOUNTING KIT, fuel pump	1	
76	AAA1477K	£17.70	MOUNTING KIT, fuel pump	1	TD & TF To (e) 1509
77	377-268	NCA	MOUNTING KIT, fuel pump	1	TF From (e) 1510
78	AAA260C	£3.10	PAD SET, fuel pump mounting	1	TD & TF



ill. Part Number Price £ea. Description Req. Details

Fuel Tank, Pipes & Exhaust Systems

Fuel Tank & Pipes, TA, TB & TC

1	456-760	£587.00	FUEL TANK	1	TA To (c) 1090
	456-765	£587.00	FUEL TANK	1	TA From (c) 1091 & TB
	456-770	£587.00	FUEL TANK	1	TC
	456-771	£963.90	FUEL TANK, stainless steel	1	
2	407-090	£83.95	FUEL CAP, original type, reproduction	1	release clip required
3	407-105	£23.10	RELEASE CLIP, fuel cap	1	
4	293-500	£2.56	GASKET, fuel cap	1	
5	280-928	£71.10	PAD SET, fuel tank to frame	1	5 rubber pieces
6	376-665	£38.50	FUEL LINE ADAPTOR, with filler	1/2	TA & TB, TB uses 2
7	378-520	NCA	FILTER SCREEN	1	solder into fuel tank adaptor
8	376-770	£100.00	FUEL PIPE, tank to union	1	
9	376-300	£28.60	UNION, between fuel pipes	1	
10	376-780	£54.50	FUEL PIPE, union to pump	1	
11	AEK122	£8.10	DRAIN PLUG, fuel tank	1	
12	AUC2141	£0.50	WASHER, fuel pipe & drain plug	2	

Fuel Tanks & Pipes, TD & TF

1	456-785	£587.00	FUEL TANK	1	TD
	456-786	£963.90	FUEL TANK, stainless steel	1	TF
	456-795	£587.00	FUEL TANK	1	
	456-796	£963.90	FUEL TANK, stainless steel	1	
2	451-648	£229.90	END PANEL SET, fuel tank	1	TD, 2 chrome panels
	451-658	£181.60	END PANEL SET, fuel tank	1	TF, 2 chrome panels
3	407-090	£83.95	FUEL CAP	1	TC type
4	407-105	£23.10	RELEASE CLIP, fuel cap	1	
5	293-600	£4.50	GASKET, fuel cap	1	for original cap
6	281-798	£17.80	PAD SET, fuel tank to chassis	1	4 rubber pads
7	376-665	£38.50	ADAPTOR, fuel pipe, including filter	1	
8	378-520	NCA	FILTER SCREEN	1	(Screen must be soldered into fuel tank adaptor).
9	454-080	£71.10	FUEL PIPE, tank to pump, short	1	TD & TF To (e) 1509
	454-075	NCA	FUEL PIPE, tank to 2nd pump, long	1	TD MkII
	454-085	£28.60	FUEL PIPE, tank to pump	1	TF From (e) 1510
	454-095	£43.20	FUEL PIPE, pump to front fuel pipe	1	

ill. Part Number Price £ea. Description Req. Details

10	AEK122	£8.10	DRAIN PLUG, fuel tank	1	
11	AUC2141	£0.50	WASHER, fuel pipe & drain plug	2	
12	326-326	£5.00	CHASSIS CLIP, fuel & brake pipe	10	original type
13	ACH8650	£2.40	STRAP, fuel & brake pipes	6	
14	449-595	£45.40	BRACKET, tank to body support	2	TD
	449-600	£47.60	BRACKET, tank to body support	2	TF
NI	454-080	£71.10	FUEL PIPE, tank to pump	1	TD & TF To (e) 1509
	454-075	NCA	FUEL PIPE, tank to 2nd pump	1	TD MkII

Exhaust System, TA, TB & TC (Stainless Steel)

Note: Mild steel systems are no longer available.

15	BSMGTA	£330.00	EXHAUST SYSTEM, stainless steel	1	TA
	BSMG393	£175.00	FRONT PIPE, stainless steel	1	
	BSMG395	£160.00	SILENCER, stainless steel	1	
	BSMG396	£15.00	TAIL PIPE, stainless steel	1	TB & TC
	BSMGTB	£235.00	EXHAUST SYSTEM, stainless steel	1	
	BSMG394	£88.50	FRONT PIPE, stainless steel	1	
	BSMG395	£160.00	SILENCER, stainless steel	1	TB & TC
	BSMG396	£15.00	TAIL PIPE, stainless steel	1	
	454-508	NCA	EXHAUST SYSTEM (Includes silencer, front & rear pipes).	1	
	FMSG393	£89.40	FRONT PIPE, stainless steel	1	TA
	FMSG395	NCA	SILENCER, stainless steel	1	
	FMSG396	£37.20	TAIL PIPE, stainless steel	1	TB & TC
	FMSG394	£88.40	FRONT PIPE, stainless steel	1	
	FMSG395	NCA	SILENCER, stainless steel	1	
	FMSG396	£37.20	TAIL PIPE, stainless steel	1	
16	GEX9003	£0.72	CLAMP, tail pipe to silencer	1	
17	433-320	£14.10	CUPPED WASHER, exhaust flange	1	
18	290-500	£9.10	GASKET, pipe to manifold	1	
19	328-828	£8.20	STUD SET, exhaust flange, 3 studs	1	
20	311-768	£5.30	NUT SET, exhaust flange, 3 nuts	1	
21	293-100	£7.20	GASKET, original pipe to silencer	1	
22	412-060	£20.20	BRACKET, original tail pipe to chassis	1	

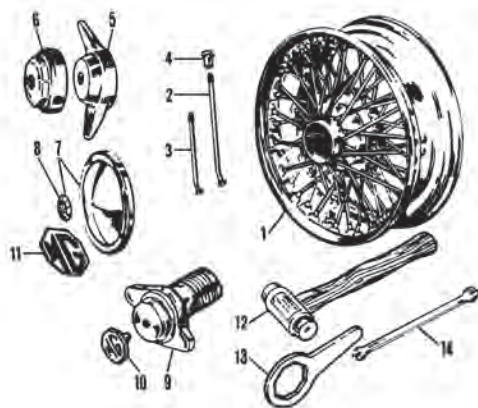
*Note: See the Accessories section for performance & tuning.

ill. Part Number Price £ea. Description Req. Details

Exhaust System, TD & TF (Stainless Steel)

Note: Mild steel exhaust systems are no longer available.

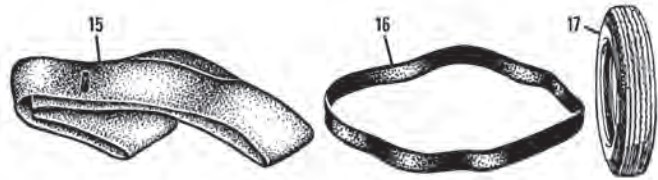
18	BSMGTD	£240.00	EXHAUST SYSTEM, stainless steel	1	TD
	BSMG397	£83.50	FRONT PIPE, stainless steel	1	
	BSMG398	£135.00	SILENCER, stainless steel	1	
	BSMG399	£30.00	TAIL PIPE, stainless steel	1	TF
	BSMGTD	£240.00	EXHAUST SYSTEM, stainless steel	1	
	BSMG400	£50.00	FRONT PIPE, stainless steel	1	
	BSMG401	£80.00	SILENCER, stainless steel	1	
	BSMG402	£25.00	TAIL PIPE, stainless steel	1	
19	290-500	£9.10	GASKET, pipe to manifold	1	
20	328-808	£10.50	STUD SET, 3 studs	1	exhaust flange
21	311-768	£5.30	NUT SET, 3 nuts	1	
22	412-010	£42.70	BRACKET, front exhaust pipe	1	on gearbox
23	412-070	£24.90	CLAMP, front pipe to bracket	1	
24	412-040	£15.90	HANGER, tailpipe securing	2	
25	321-678	£1.80	BOLT & NUT SET, tailpipe hanger	2	1 of each
26	AJD6155Z	£0.89	BOLT, tailpipe hanger securing	4	
27	AJD8104	£0.53	NUT, for hanger bolt	4	
28	GEX9008	£0.77	CLAMP, front pipe to silencer	1	
29	GEX9007	£1.06	CLAMP, tail pipe to silencer	1	



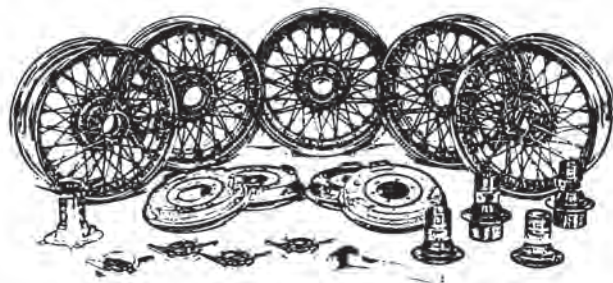
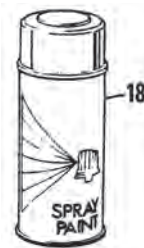
Road Wheels

Note: See the Accessories section for further details on road wheels and range of wheel tools.

1	454-607	£340.00	WIRE WHEEL, painted, outer laced, 19"	5	TA To (c) 1769
	454-600	£340.00	WIRE WHEEL, painted	5	TA From (c) 1770,
	454-795	£470.00	WIRE WHEEL, chrome, centre laced 19"	5	TB & TC
	WWP450	£144.00	WIRE WHEEL, painted, 15" x 4"	5	48 spoke wheel
	WWC450	£254.20	WIRE WHEEL, chrome, 15" x 4"	5	
	WWP452	£175.15	WIRE WHEEL, painted, 15" x 4.5"	5	60 spoke wheel
	WWC452	£247.75	WIRE WHEEL, chrome, 15" x 4.5"	5	
2	200-010	£9.90	SPOKE, outer/long, mild steel	a/r	TA, TB & TC centre laced 40 spoke 19"
	200-020	£9.90	SPOKE, inner/short, mild steel	a/r	TA, TB & TC centre laced 40 spoke 19"
3	7H1805	£4.80	SPOKE, outer/long, mild steel	a/r	48 spoke painted
	7H1806	£4.80	SPOKE, inner/short, mild steel	a/r	wire wheels
	7H1805CP	£8.70	SPOKE, outer/long, chrome stainless	a/r	48 spoke chrome
	7H1806CP	£8.70	SPOKE, inner/short, chrome stainless	a/r	wire wheels
	17H8619	£4.80	SPOKE, outer/long, mild steel	a/r	60 spoke painted
	17H8620	£4.80	SPOKE, inner/short, mild steel	a/r	wire wheels
	17H8619CP	£8.70	SPOKE, outer/long, chrome stainless	a/r	60 spoke chrome
	17H8620CP	£8.70	SPOKE, inner/short, chrome stainless	a/r	wire wheels
4	7H1709	£0.65	NIPPLE, mild steel	a/r	painted wire wheels
	37H3651	£1.20	NIPPLE, chromed stainless	a/r	chrome wire wheels
5	AHH7317A	£27.00	WHEEL SPINNER, 2-eared, RH	2	with MG motif
	AHH7318A	£27.00	WHEEL SPINNER, 2-eared, LH	2	
6	AHH7315A	£27.50	WHEEL SPINNER, octagonal, RH	2	
	AHH7316A	£27.50	WHEEL SPINNER, octagonal, LH	2	
7	ACH8304	£29.30	HUB CAP, includes medallion	5	TD & TF
	200-235	£25.20	HUB CAP, drilled, less medallion	5	TD & TF, not drilled
8	200-277	£8.30	MEDALLION, hub cap	5	TD & TF
9	200-250	£88.00	WHEEL SPINNER, spare wheel	1	TA, TB & TC
	200-260	£88.00	WHEEL SPINNER, spare wheel	1	TF
10	AAA523	£70.70	MEDALLION, spare wheel	1	TA-TB & TC, brown & cream
	ARH900	£29.70	MEDALLION, spare wheel, wire	1	TF & black & white
	AAA5021	NCA	MEDALLION, spare wheel, steel	1	
12	C27290	£30.00	WHEEL HAMMER, copper/hide	1	2lbs
	11B5166	£25.30	WHEEL HAMMER, copper/copper	1	1.5lbs



ill.	Part Number	Price £ea.	Description	Req.	Details
	13	AHH5839	£6.05	SPANNER, for octagonal wheel spinner	1
	14	MM385-800	£11.90	SPOKE SPANNER	1
	15	454-410	£76.13	INNER TUBE, 19" x 4.50	a/r
		454-420	£33.60	INNER TUBE, 15" x 5.50	a/r
		452-755	£12.92	INNER TUBE, 15" x 165 tyre	a/r
		452-765	£20.00	INNER TUBE, 15" x 185 tyre	a/r
		452-785	£53.70	INNER TUBE, 19" x 4.5, heavy duty	a/r
	16	452-750	£16.40	RIM BAND, 15"	a/r
		452-760	£23.00	RIM BAND, 19"	a/r
	17	454-700	£225.00	TYRE, Ensign B5, 450 x 19"	a/r
		454-710	NCA	TYRE, Dunlop, 5.50 x 15"	a/r
	18	CCWP1	£15.00	WHEEL PAINT, silver	a/r



Wire Wheel Conversion Kits For TD & TF Models

The following wire wheel conversion kits are designed to convert your disc wheeled TD or TF to wire wheels. Each kit includes four splined hubs, four brake drums, one spare wheel adaptor with spinner (to convert spare wheel carrier to wire wheels), and all the studs, nuts, etc. for an easy installation. These kits will enhance the appearance of any TD and are identical to the original factory option for the TF.

Note: Our conversion kits do not include wheel or spinners.

111-518	£852.00	WIRE WHEEL CONVERSION KIT	1	TD-TF
AHH7317A	£27.00	WHEEL SPINNER, 2-eared, RH	2	with MG motif
AHH7318A	£27.00	WHEEL SPINNER, 2-eared, LH	2	
AHH7315A	£27.50	WHEEL SPINNER, octagonal, RH	2	
AHH7316A	£27.50	WHEEL SPINNER, octagonal, LH	2	
WWP450	£180.00	WIRE WHEEL, painted	5	15" 48 spoke
WWC450	£254.20	WIRE WHEEL, chrome	5	
WWP452	£175.15	WIRE WHEEL, painted	5	15" 60 spoke
WWC452	£247.75	WIRE WHEEL, chrome	5	

Note: See the Restoration Tools catalogue for further details of roadside tools.

Vintage Screw-Jack

These vintage screw-jacks are identical to the factory originals. Ideal not only for jacking up your T-Type, but also for holding that wayward garage door open!



NI	AHH5124K	£145.60	JACK & HANDLE, accessory	a/r
----	----------	---------	--------------------------	-----

Tool Roll

Our tool roll is a superb reproduction of the original. Constructed of heavy duty (original) type Tan canvas, it will keep your tools together.



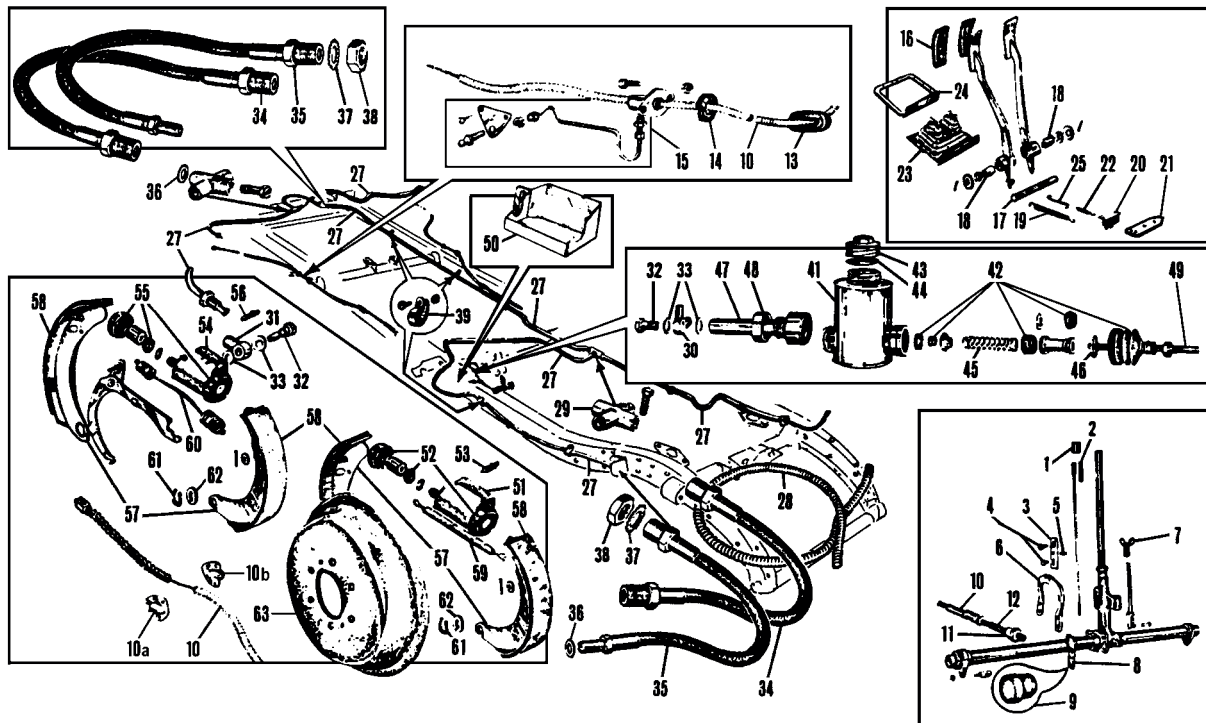
NI	385-910	£63.60	TOOL ROLL, accessory	a/r
----	---------	--------	----------------------	-----

Tyre Levers

High quality tyre levers virtually identical to those supplied with the new vehicle tool kit.



NI	AJJ281K	NCA	TYRE LEVERS, accessory	1
----	---------	-----	------------------------	---



ill. Part Number Price £ea. Description Req. Details

Brake System, TA-TB & TC

Note: See the Restoration Tools catalogue for our full range of brake fluids.

Handbrake, Pipes & Hoses

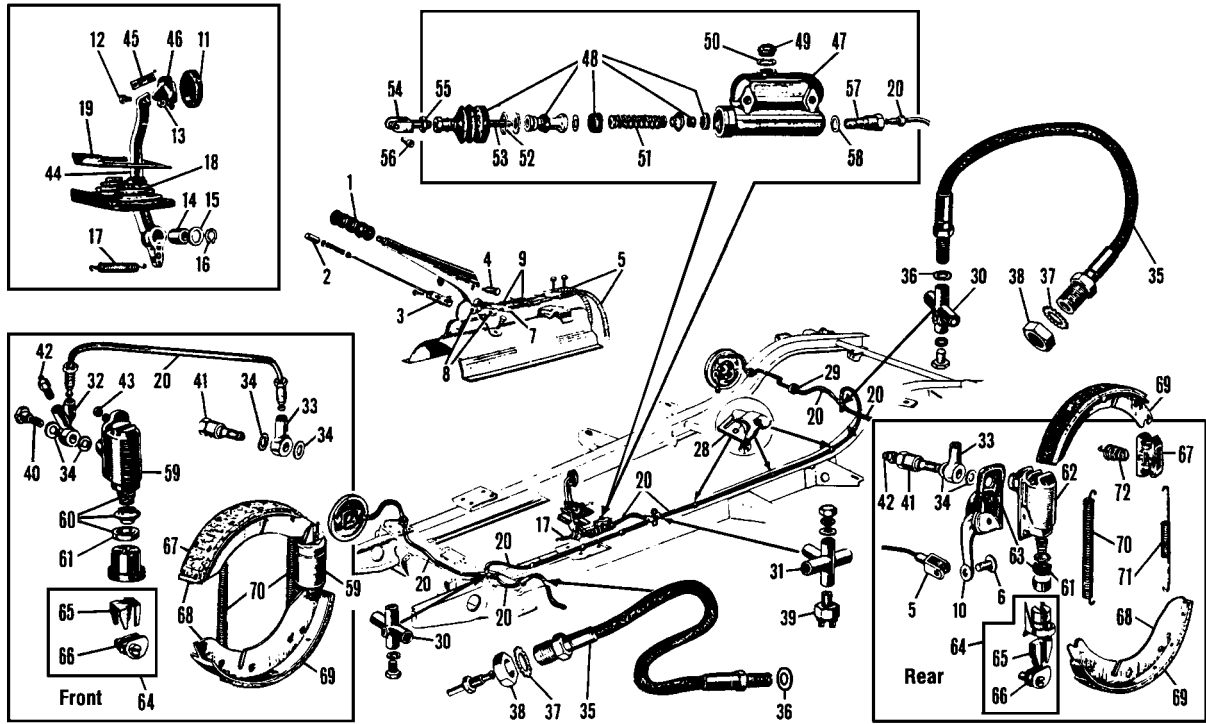
1	181-910	NCA	KNOB, handbrake lever, chrome	1	
2		NCA	SPRING, handbrake knob	1	
3	181-420	NCA	PAWL, handbrake	1	
4	181-415	£10.20	BOLT, stepped	2	
5		NCA	STUD for pawl	1	
6	181-430	NCA	RATCHET, handbrake	1	
7	181-435	NCA	WING NUT, handbrake adjusting	1	
8		NCA	STOP, handbrake lever	1	
9	280-285	£1.70	RUBBER BUFFER, stop	1	
10	331-050	£92.50	CABLE, handbrake, complete	2	
10a	180-155	£11.10	CLAMP, handbrake cable, outer	2	
10b	180-165	£20.90	CLAMP, handbrake cable, inner	2	
11	311-520	£6.00	NUT, cable adjusting	2	
12	ACH8508	£1.60	SPRING, cable adjusting nut	2	
13	280-670	£3.50	GROMMET, oval	2	cable to chassis
14	GHF802	£1.36	GROMMET, round	2	
15	181-920	NCA	LUBRICATOR	2	handbrake cable
16	280-440	£3.30	PAD, brake & clutch	2	
17	190-480	£23.40	PEDAL SHAFT, brake & clutch	1	
18	330-050	£9.60	BUSH, brake & clutch pedal	2	
19	181-930	NCA	SPRING, brake pedal	1	
20	141-600	£34.80	SWITCH, brake light	1	
21	181-945	NCA	MOUNTING BRACKET	1	brake light switch
22	150-700	£6.60	SPRING, brake light switch	1	
23	280-420	£15.60	FUME EXCLUDER, rubber	1	brake & clutch pedal
24	406-700	£11.60	RETAINING PLATE, pedal excluder	1	
25	181-940	NCA	WIRE CLIP, brake spring	1	
27	183-148	£200.15	BRAKE PIPE SET, with protection coil	1	TA & TB
	183-138	£200.15	BRAKE PIPE SET, with protection coil	1	TC
28	182-730	£70.75	BRAKE PIPE PROTECTION COIL	1	stainless steel
29	180-070	NCA	UNION, 3 way, front & rear	2	
30	180-060	NCA	BANJO, rear master cylinder	1	TC
31	3H544	£17.00	BANJO, brake pipe to rear cylinder	2	
32	11K8276	£6.60	BANJO BOLT	3	
33	324-998	£2.50	WASHER SET, banjo fittings	3	2 washers
34	180-530	£31.00	BRAKE HOSE, front & rear	3	TA & TB
35	180-860	£18.60	BRAKE HOSE, front & rear	3	
36	3H550	£0.64	WASHER, brake hose, copper	3	
37	WE600101	£0.47	LOCK WASHER, brake hose	3	TC
38	2K8686	£1.40	NUT, brake hose	3	
39	CP105081	£1.10	CHASSIS CLIP, brake pipe	a/r	

ill. Part Number Price £ea. Description Req. Details

Brake Shoes & Cylinders

41	180-601	NCA	MASTER CYLINDER	1	less rear extension & valve
42	180-900	£13.30	REPAIR KIT, master cylinder	1	
43	180-310	NCA	FILLER CAP, master cylinder	1	
	500201	£7.20	FILLER CAP, master cylinder	1	alternative
44	180-660	NCA	GASKET, filler cap	1	
45	180-120	NCA	SPRING, piston	1	
46	326-080	£9.70	CIRCLIP, master cylinder	1	
47	180-015	£36.60	REAR EXTENSION, master cylinder	1	TA & TB
48	181-950	£37.30	REAR EXTENSION, master cylinder	1	TC
48	311-365	£3.00	NUT, rear extension	1	
49	181-400	£46.40	PUSH ROD, master cylinder	1	with ball joint
50	181-960	£108.30	HEAT SHIELD, master cylinder	1	
51	180-540	£163.00	WHEEL CYLINDER, front	2	TA & TB
	180-590	£76.60	WHEEL CYLINDER, front	2	TC
52	180-930	£12.30	REPAIR KIT, front cylinder	2	
53	606733A	£2.50	BLEED SCREW, front cylinder	2	
	180-865	NCA	SPRING & EXPANDER*	2	front
54	180-580	£81.70	WHEEL CYLINDER, rear	2	
55	180-920	£8.20	REPAIR KIT, rear cylinder	2	
56	180-110	£5.70	BLEED SCREW, rear cylinder	2	
	180-855	£11.10	SPRING & EXPANDER*	2	rear
57	182-110	£76.50	BRAKE SHOE SET	2	
58	182-240	£48.30	LINING SET, brake shoe	2	4 linings for 2 wheels
59	181-410	£6.70	SPRING, front brake shoes	2	
60	181-390	£7.00	SPRING, rear brake shoes	2	
61	326-130	£3.00	CLIP, brake shoe anchor	4	original
	326-131	NCA	CLIP, brake shoe anchor	4	replacement
62	180-025	£6.00	PIVOT SPRING, front & rear brake shoes	4	
63	456-910	£394.00	ALFIN BRAKE DRUM, 9" x 1 3/4"	4	MGTA/TC

*Note: These assemblies replace the separate internal spring & star shaped internal expanders used on front and rear TA-TB-TC wheel cylinders.



iii. Part Number Price £ea. Description Req. Details

Brake System, TD & TF

Note: See the Restoration Tools catalogue for our full range of brake fluids.

Handbrake, Pipes & Hoses

1	181-360	£6.50	HANDLE, handbrake lever	1
2	ACC8956	£13.20	BUTTON, brake release, chrome	1
3	181-320	£103.50	PAWL, handbrake ratchet	1
4	181-440	£7.50	RIVET & WASHER	1
5	331-060	NCA	CABLE, handbrake, OE type	2
	331-058	£39.80	CABLE, handbrake, aftermarket	2

Note: The 331-058 handbrake cable is very similar to cables originally fitted to the MG TD and TF. All critical dimensions are correct. The OE type metal spiral housing has the unique combination of wide & narrow strips formed into a tube or housing for the inner cable. This OE type spiral housing is covered in a black plastic sheath, a non-OE feature that protects the steel housing from water, dirt, and road grime, which in turn protects the inner cable and maximizes the useful life of the e-brake system. If originality is your goal, nick the plastic cover with a knife point or a utility knife and peel the black plastic sleeve off the cable.

6	CLZ515	£1.48	PIN, cable to rear cylinder	2
7	181-310	£15.00	BAR, cable equalising	1
8	311-520	£6.00	NUT, handbrake adjusting	2
9	ACH8508	£1.60	SPRING, handbrake adjusting nut	2
10	27H7395	NCA	LEVER, handbrake	incl. with rear wheel cyl.
11	ACA5359	£2.30	PAD, brake & clutch	2
12	320-370	£1.70	BOLT, brake & clutch pedal	2
13	AJD8105Z	£0.30	NUT, pedal bolt	2
14	330-100	£7.60	BUSH, brake pedal & clutch pedal	2
15	324-430	£9.30	WASHER, pedal spacing	2
16	326-050	£0.72	CIRCLIP, pedal shaft	1
17	329-320	£6.40	SPRING, brake pedal	1
18	280-420	£15.60	FUME EXCLUDER, rubber	1 brake & clutch pedal
19	406-700	£11.60	RETAINING PLATE, pedal excluder	1
20	183-158	£103.90	BRAKE PIPE SET	1 RHD
	183-168	£103.90	BRAKE PIPE SET	1 LHD
28	326-326	£5.00	CHASSIS CLIP, brake pipe	a/r original type
29	ACH8650	£2.40	STRAP, brake and fuel pipes	6
30	27H7165	£28.60	UNION, 3 way	2 front & rear
31	AAA424	£33.70	UNION, 4 way	1
32	180-681	NCA	BANJO, left	1 front wheel cylinder
	180-691	NCA	BANJO, right	1
33	27H7189	£25.80	BANJO	4 front & rear wheel cylinder
34	324-908	£6.00	WASHER SET, banjo fittings	1 12 copper washers
35	180-840	£18.30	BRAKE HOSE, front & rear	3
36	324-898	£4.20	WASHER SET, brake hose	1 3 copper washers
37	WE600101	£0.47	LOCK WASHER, brake hose	3
38	2K8686	£1.40	NUT, brake hose	3
39	13H2303	£7.00	SWITCH, brake light, OE type screw	1 on 4 way fitting
39a	C16062A	£4.85	SWITCH, brake light, alternative Lucar	1 on 4 way fitting

iii. Part Number Price £ea. Description Req. Details

40	7H7847	£5.20	BANJO BOLT, front wheel cylinder	2
41	27H7167	£14.56	ADAPTOR, front & rear wheel cylinder	4
42	27H7166	£2.00	BLEED SCREW, front & rear	4
43	AJD8105Z	£0.30	NUT	8
44		NCA	BRAKE PEDAL, LHD	1
	406-710	£136.40	BRAKE PEDAL, RHD*	1
45	406-760	NCA	PAD EXTENSION	1
46	406-750	£29.60	PEDAL PAD, alloy	1

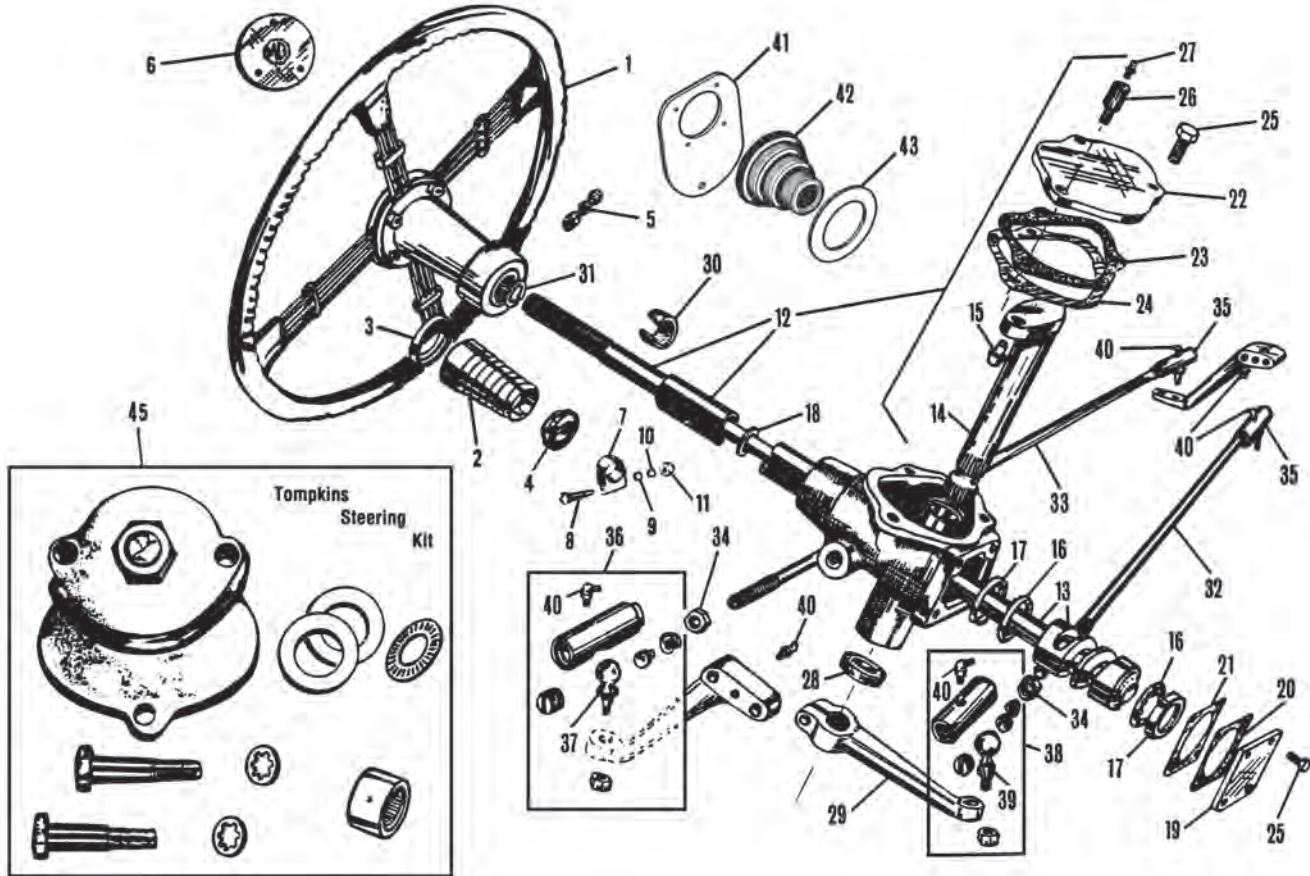
*Note: Please see page 25 for details on LHD to RHD steering conversion parts.

Brake Shoes & Cylinders

47	LK88187	£139.00	MASTER CYLINDER	1
48	182-910	£24.00	REPAIR KIT, master cylinder	1
49	180-250	£17.40	FILLER CAP, master cylinder	1
50	180-220	£2.30	WASHER, filler cap	1
51	180-120	NCA	SPRING, master cylinder piston	1
52	326-090	£2.70	CIRCLIP, piston stop	1
53	180-320	£11.20	PLUNGER, master cylinder	1 less clevis
54	180-485	£26.70	FORK, master cylinder plunger	1
55	AJD8206Z	£0.66	NUT, master cylinder plunger	1
56	325-160	£3.30	PIN, master cylinder fork	1
57	180-710	£12.60	ADAPTOR, master cylinder	1
58	233220A	£0.89	WASHER, master cylinder adaptor	1
59	LK30284	£32.40	WHEEL CYLINDER, front	4
	180-628	£153.80	WHEEL CYLINDER SET, car set	1
60	180-448	£27.40	REPAIR KIT, front axle set	1
61	7H7923	£2.70	CUP ONLY	4
62	GWC1111	£31.50	WHEEL CYLINDER, rear	2 does not include boot
	GWC1111Z	£18.30	WHEEL CYLINDER, rear, aftermarket	2
	180-628	£153.80	WHEEL CYLINDER SET, car set	1
63	8G8243	£6.90	REPAIR KIT, rear cylinder	2 boot & cup only
	7H7943	£7.00	BOOT, handbrake lever	2
64	7H7931K	£21.60	ADJUSTER KIT	4
65	7H7930	£7.90	MASK, adjuster	4
66	7H7931	£18.90	CAM, adjuster	4
67	7H7932	£44.20	BUTMENT, rear brake shoe	2
68	182-130	£74.50	BRAKE SHOE SET, axle set	2

Note: This is an axle set of 4 shoes, they are the same for both front and back, so you need to order 2 sets.

69	182-270	£46.00	LINING SET	2 4 linings for 2 wheels
70	181-370	£11.20	SPRING, brake shoe return	6 front & rear
71	181-380	£8.50	SPRING, brake shoe return	2 rear
72	AAA4714	£1.88	SPRING, brake shoe steady	4 rear, except early TD
	NI	NCA	BRAKE DRUM, front, steel wheels	for full details please refer
	NI 264-320	£71.40	BRAKE DRUM, front, wire wheels	to 'Front Suspension'
	NI 266-510	NCA	BRAKE DRUM, rear, steel wheels	for full details please refer
	NI 264-320	£71.40	BRAKE DRUM, rear, wire wheels	to 'Rear Axle'



ill. Part Number Price £ea. Description Req. Details

Steering, TA-TB & TC

Note: See the Accessories section for further details of steering wheels.

These 'Brooklands' vintage steering wheels - complete with crested centrepiece and clamp bolt assembly, were available as optional equipment when the TC was new. The classic design was in demand by MG enthusiasts going well back to the 1930's.

1	454-225	£495.00	STEERING WHEEL, Brooklands (Black, 17", key-way fitting).	1	TA to (c) 2881
	454-240	£420.00	STEERING WHEEL, Brooklands (Black, 17", spline fitting).	1	
2	1D6163	£31.60	SPRING COVER, upper shaft, stainless	1	spline fitting only
3	108611	£9.20	CAP, spring cover, chromed	1	
4	262-290	£24.20	WASHER	1	
5	262-300	£20.70	CLAMP BOLT, steering wheel	1	
6	262-310	£28.60	CENTRE PIECE, steering wheel	1	
7	AHH6005	£13.00	CLAMP ASSEMBLY	1	
8	BH605181	£1.10	BOLT	2	
9	PWZ205	£0.30	WASHER, plain	4	
10	GHF332	£0.40	WASHER	4	
11	GHF201	£0.17	NUT	2	
12	453-120	NCA	STEERING BOX, reconditioned*	1	

*Note: We can only recondition your old steering box, new and exchange units are no longer available.

13	453-110	NCA	COLUMN & CAM	1	spline fitting only
	453-107	NCA	COLUMN	1	
	260-085	NCA	CAM, worm only	1	
14	260-070	£238.30	SECTOR SHAFT	1	
15	501568	£13.20	PEG, sector shaft	1	
16	060371	NCA	BEARING	2	
17	060373	£21.00	BEARING CUP	2	
	060371/3K	£19.60	BEARING, ball cage & cup, steering box	2	
18	060586	£0.36	RING, anti-rattle, rubber	1	
19	260-090	NCA	END PLATE	1	
20	060370	£0.77	GASKET, end plate	1	
21	060367	£1.31	SHIM, end plate, 0.003"	a/r	
	060368	£1.60	SHIM, end plate, 0.005"	a/r	
	060369	£1.50	SHIM, end plate, 0.010"	a/r	
22	260-100	NCA	TOP PLATE	1	
23	293-200	£6.90	GASKET, top plate	1	

ill. Part Number Price £ea. Description Req. Details

24	260-010	£6.30	SHIM, top plate, 0.003"	a/r	
	260-020	£5.20	SHIM, top plate, 0.005"	a/r	
	260-030	£3.40	SHIM, top plate, 0.010"	a/r	
25	320-360	£1.10	BOLT, cover plates	6	
26	262-330	£36.90	HOLLOW BOLT, top cover plate	1	
27	328-520	£1.31	GREASE NIPPLE, for gear oil	1	
28	120-020	£9.60	SEAL, modern type	1	
29	453-130	£225.10	DROP ARM	1	
30	260-180	£5.00	FELT BUSH, upper column, original	1	
31	326-060	£0.73	CIRCLIP, upper column	1	
32	451-230	£75.10	DRAG LINK TUBE	1	less ends
33	453-290	£69.20	TIE ROD TUBE	1	
34	311-400	£9.40	LOCK NUT	2	RH thread
	311-410	£9.40	LOCK NUT	2	LH thread
35	261-238	£122.60	TIE ROD END, LH	2	LH thread
36	261-248	£122.60	TIE ROD END, RH	1	RH thread
37	261-260	£31.20	BALL, tie rod end	3	
38	261-258	£108.00	DRAG LINK END ASSEMBLY, RH	1	
39	261-270	£37.15	BALL, drag link end	1	
40	UHN405	£2.26	GREASE NIPPLE	4	tie rod ends & drag link end
41	260-075	£73.40	INNER PLATE, column excluder	1	
*Note: The original screws used to secure this plate were 1/4" BSF, however, for this new plate the use of 1/4" UNC screws will be required (part number SH504051), you will not be able to reuse the original screws.					
42	280-380	£11.40	EXCLUDER, steering column	1	
43	260-065	£23.30	OUTER PLATE, column excluder	1	

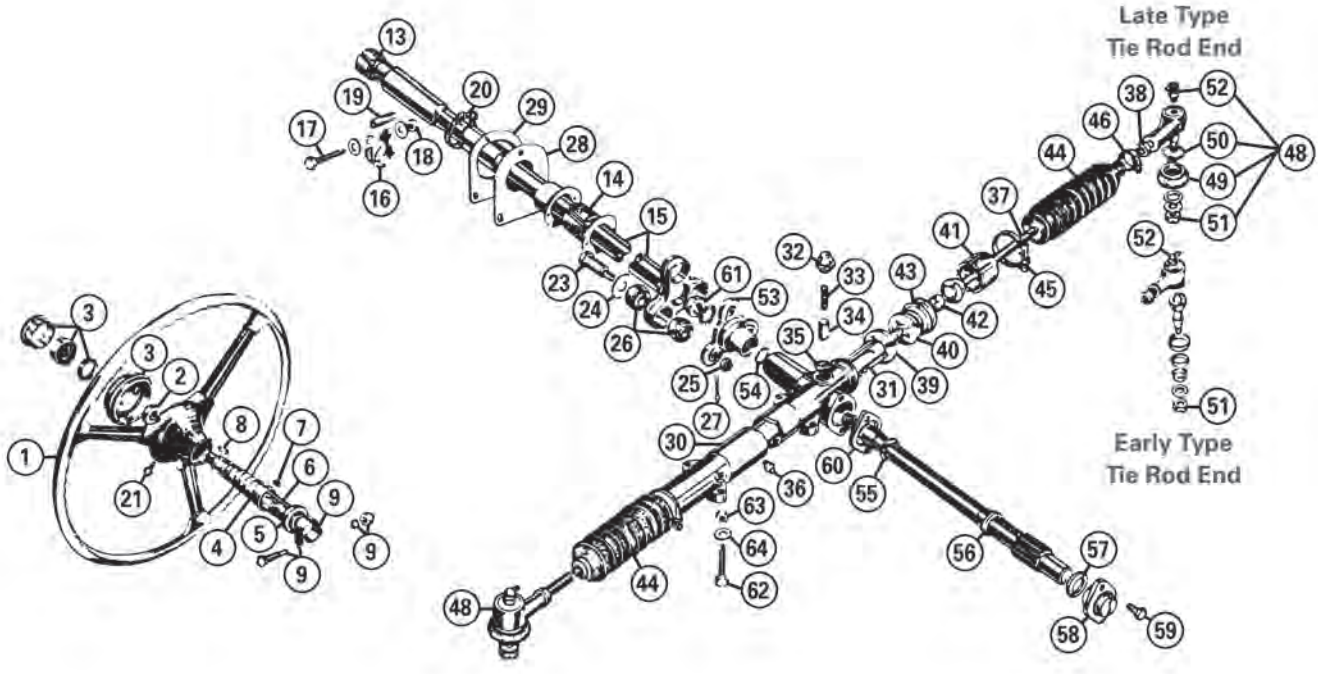
Tompkins Steering Kit

The Tompkins steering kit consists of a machined & polished aluminium casting which houses a roller thrust bearing and spacer. This replaces the steel thrust plate on top of the steering gear, thereby eliminating all drag at this critical point and, at the same time provides an easy and extremely accurate adjustment of the sector shaft.

Also included (as well as concise installation instructions) is a needle bearing which replaces the felt bush at the top of the column. While we have supplied hundreds of these kits to (very) satisfied customers, we must emphasise that unless the entire steering and front end are in perfect condition the kit will effect only a slight improvement.

With a properly set up front end, and the addition of the Tompkins steering kit, your TA-TB or TC will be a very pleasant car to drive.

45	260-118	£206.50	TOMPKINS STEERING KIT	1
----	---------	---------	-----------------------	---



iii. Part Number Price £ea. Description Req. Details

Steering, TD & TF

Note: See the Accessories section for further details of steering wheels.

Steering Column

We are pleased to offer the first and only true original type steering wheel available since the last TF rolled off the assembly line in 1955! 'Goldish-Tan Pearlescent' trim with metallic bronze hub. (Don't be misled by the mottled brown rim most people consider original) The centrepiece matches the factory colour and fit.

1	454-231	£313.90	STEERING WHEEL, original type, 16.5"	1	
2	311-470	£9.60	NUT, steering wheel	1	
3	262-340	£76.40	CENTRE PIECE	1	
4	AAA1651	£12.40	SPRING COVER, upper shaft, chrome	1	
5	AAA1650	£3.90	CAP, spring cover, chrome	1	
6	262-350	NCA	ADJUSTING SHAFT	1	
7	AAA193	£6.70	KEY, steering shaft	1	
8	327-090	£7.10	KEY, steering wheel	1	
9	AAA192	£9.00	CLAMP, column, chrome	1	with nut, bolt & washer
13	260-150	£7.50	FELT BUSH, upper column	1	
14	260-200	£10.00	FELT BUSH, lower column	1	
15		NCA	INNER COLUMN	1	
16	AHH6005	£13.00	CLAMP, column	1	
17	320-390	£2.32	BOLT, 5/16" x 1.5" UNF	1	
18	AJD8105Z	£0.30	NUT	1	
19	AHH6006	£6.10	DISTANCE PIECE, clamp	1	
20	CS4020	£1.40	CLAMP, column excluder	1	
21	AJD2246	£0.70	SCREW, centre piece assembly	1	
23	320-850	£7.90	BOLT, column to flange	3	
24	324-560	£0.64	WASHER, flange bolt	3	
25	311-155	£1.90	NUT, flange bolt	3	original
	311-150	£2.70	NUT, flange bolt	3	replacement
26	280-550	£3.25	RUBBER BEARING	6	
27	GHF500	£0.22	SPLIT PIN, for slotted nut	3	
28	454-040	£47.00	EXCLUDER, steering column	1	leather
29	263-105	£39.60	PLATE, steering column excluder	1	

Rack & Pinion

30	263-134	£321.20	STEERING RACK, RHD	1] less track] rod ends
	263-138	£321.20	STEERING RACK, LHD	1	
	262-370	NCA	STEERING RACK, RHD	1	bare casting only
31	262-408	NCA	RACK & PINION, RHD	1	
	262-418	NCA	RACK & PINION, LHD	1	
32	262-090	NCA	CAP, steering rack damper	1	
33	ACA5248	£6.30	SPRING, steering rack damper	1	

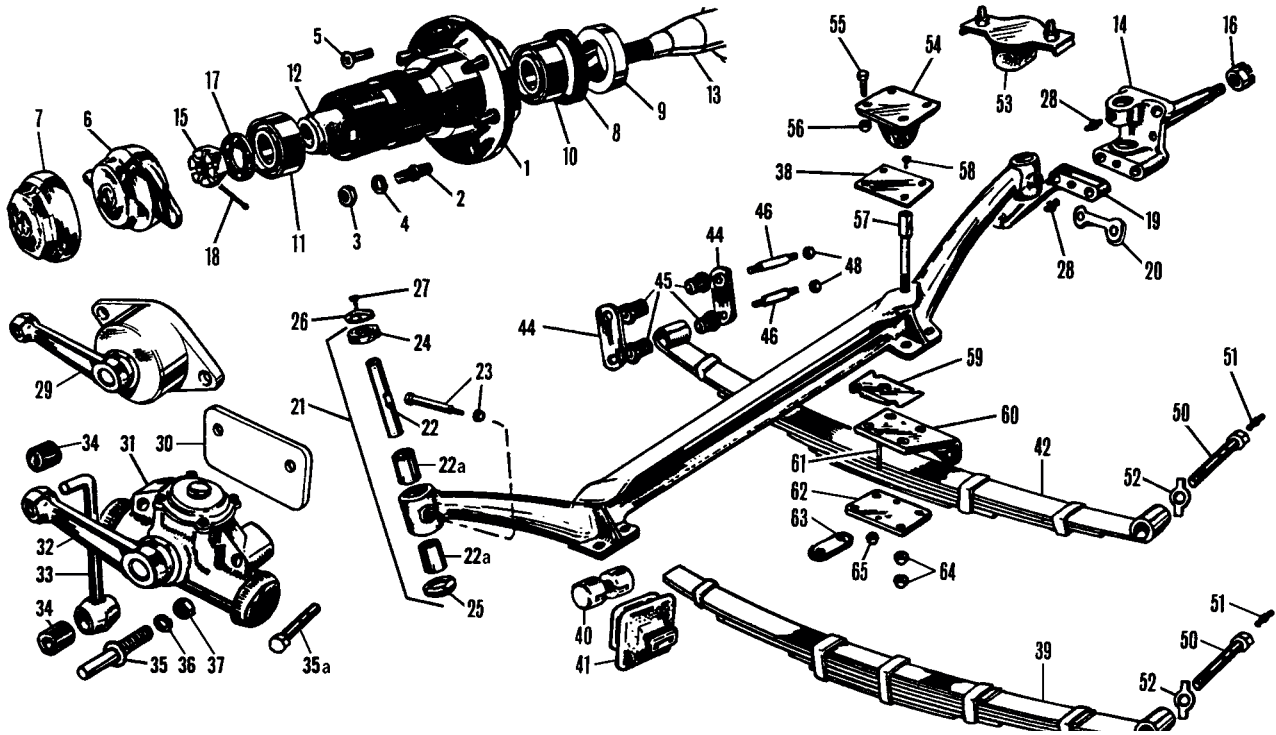
iii. Part Number Price £ea. Description Req. Details

34	ACA5244	£11.30	DAMPER PAD, steering rack	1	
35	ACA5249	£3.50	SHIM, steering rack damper, 0.003"	a/r	
36	328-520	£1.31	GREASE NIPPLE, steering rack	1	for gear oil
37		NCA	TIE ROD, steering	2	
38	311-360	£3.55	LOCK NUT, tie rod	2	
39	ACA5247	£5.50	LOCK WASHER, inner ball housing	2	
40	ACA6031	£43.60	BALL HOUSING, male	2	
41	ACA5304	£50.40	BALL HOUSING, female	2	
42	ACA5246	£15.20	BALL SEAT	2	
43	ACA5301	NCA	BALL SEAT SHIM, 0.003"	a/r	
	ACA5302	NCA	BALL SEAT SHIM, 0.005"	a/r	
	ACA5303	NCA	BALL SEAT SHIM, 0.010"	a/r	
44	280-560	£9.60	RACK GAITER	2	
45	ADG1682	£2.18	CLAMP, rack seal, large	2	
46	GGT1117X	£1.57	CLAMP, rack seal, small	2	
48	7H3682	£16.50	TIE ROD END	2	
49	7H3762	£4.00	BOOT, tie rod end, rubber	2	
50	7H3565	£2.80	CLIP, tie rod end boot	2	
51	311-510	NCA	NUT, for tie rod ends	2	original
	GHF224	£0.66	NUT, for tie rod ends	2	replacement
52	UHN405	£2.26	GREASE NIPPLE, tie rod end	2	
53	262-070	NCA	FLANGE, pinion shaft	1	
54	326-050	£0.72	CIRCLIP, pinion shaft	1	
55	AAA1335	£3.10	SEAL, pinion shaft	1	
56	262-080	NCA	THRUST WASHER, top pinion	1	
57	AAA1336	NCA	THRUST WASHER, bottom pinion	1	
58	262-230	NCA	TAIL BEARING, pinion	1	
59	320-360	£1.10	BOLT, tail bearing	2	
60	262-010	£5.30	TAIL BEARING SHIM, 0.005"	a/r	
	AAA1334	£2.40	TAIL BEARING SHIM, 0.007"	a/r	
61	311-360	£3.55	NUT, pinion shaft	1	
62	320-380	£1.39	BOLT, steering rack to frame	4	
63	AJD8105Z	£0.30	NUT	4	
64	GHF332	£0.40	WASHER, locking	4	

Steering Conversion Parts - LHD To RHD, TD & TF

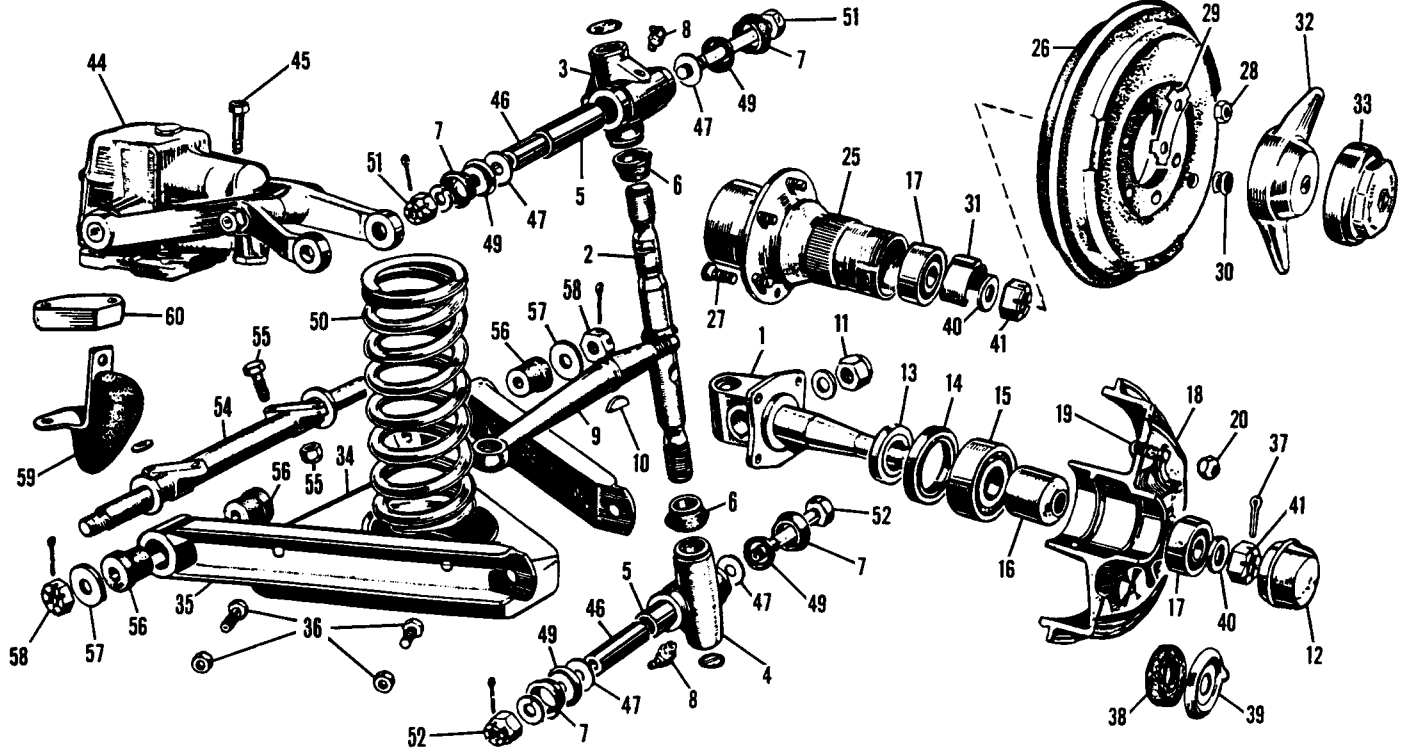
NI	406-710	£136.40	BRAKE PEDAL, RHD	1	
NI	406-720	£136.40	CLUTCH PEDAL, RHD	1	
NI	406-770	£118.00	ACCELERATOR PEDAL, RHD	1	
NI	406-730	£139.30	PEDAL BOX, RHD	1] must be welded
NI	406-780	£30.20	CHASSIS TUBE	1] through chassis
NI	263-134	£321.20	STEERING RACK, RHD	1] less track control arms
NI	233-570	£167.00	DASHBOARD FASCIA, plain*	1] TD only
NI	233-580	£201.30	DASHBOARD BACKING PANEL	1]]

*Note: Please see page A23 for details of veneered dashboards.



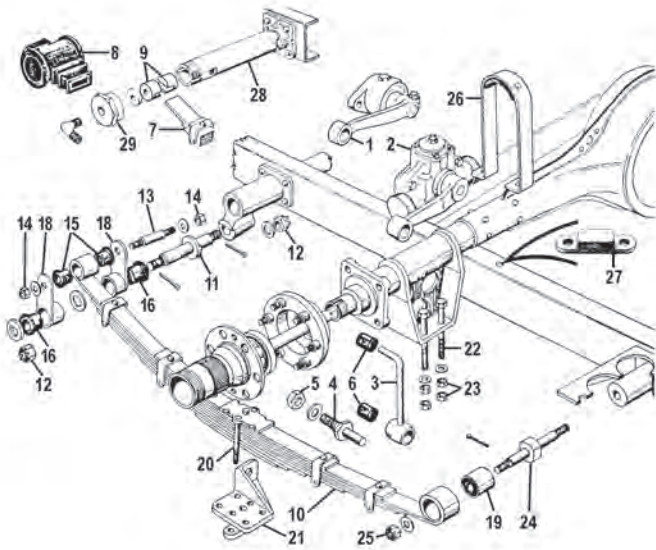
ill.	Part Number	Price £ea.	Description	Req.	Details
Front Suspension, TA-TB & TC					
1	081563	£98.30	FRONT HUB, RH	1	
	081564	£98.30	FRONT HUB, LH	1	
2	328-850	£4.20	STUD, front hub	12	
3	AJD8206Z	£0.66	NUT, hub stud	12	
4	324-340	£0.55	LOCK WASHER, hub stud	12	
5	323-748	£9.20	SCREW SET, hub to drum	1	set of 4 screws
6	AHH7317A	£27.00	WHEEL SPINNER, 2-eared, RH	1	with MG motif
	AHH7318A	£27.00	WHEEL SPINNER, 2-eared, LH	1	
7	AHH7315A	£27.50	WHEEL SPINNER, octagonal, RH	1	
	AHH7316A	£27.50	WHEEL SPINNER, octagonal, LH	1	
8	120-500	£7.50	OIL SEAL, front hub	2	
9	261-020	£17.40	SPACER, oil seal	2	
10	533360A	£18.40	BEARING, inner hub	2	
11	GHB176	£7.50	BEARING, outer hub	2	
12	261-010	£31.90	TUBE, bearing spacing	2	
13	261-135	NCA	STUB AXLE, RH	1	RH thread
14	261-145	NCA	STUB AXLE, LH	1	LH thread
15	311-370	£9.40	NUT, stub axle, RH	1	RH thread
16	311-380	£14.40	NUT, stub axle, LH	1	LH thread
17	324-440	£19.50	WASHER, stub axle nut	2	
18	GHF503	£0.30	SPLIT PIN	2	
19	261-140	NCA	STEERING ARM, LH	1	
	261-130	NCA	STEERING ARM, RH	1	
	320-610	£3.90	BOLT, steering arm to stub	4	
20	261-120	£14.10	LOCK TAB	2	
21	261-068	£226.50	KING PIN SET, with top hat bush	1	TA To axle no. 1500
	261-078	£212.00	KING PIN SET, as illustrated	1	TA From axle 1501, TB & TC
22	261-087	£64.40	KING PIN	2	
22a	MG502/114	£25.60	BUSH, top hat type	4	
	330-130	£21.34	BUSH, phosphorous bronze	4	
23	261-097	£14.20	COTTER PIN & NUT, king pin	2	
24	261-117	£2.40	FELT WASHER, king pin	2	
25	261-107	£14.00	THRUST WASHER, king pin	2	
26	261-060	£13.70	RETAINER, felt washer	2	
27	AJD6155Z	£0.89	BOLT, felt washer retaining	2	
28	UHN405	£2.26	GREASE NIPPLE, king pin	4	
29	261-275	NCA	SHOCK ABSORBER, LUVAX, new, RH	1	TA
	261-265	NCA	SHOCK ABSORBER, LUVAX, new, LH	1	
	261-276	£166.80	SHOCK ABSORBER, LUVAX, recon, RH	1	
	261-266	£166.80	SHOCK ABSORBER, LUVAX, recon, LH	1	
(We can only recondition your old shock absorbers; new and exchange units are no longer available).					
30	261-580	£36.70	PLATE, shock mounting	2	TB & TC
31	261-500	£221.10	SHOCK ABSORBER, recon, RH	1	
	261-505	£221.10	SHOCK ABSORBER, recon, LH	1	
(We can only recondition your old shock absorbers; new and exchange units are no longer available).					

ill.	Part Number	Price £ea.	Description	Req.	Details
32			NCA ARM, shock absorber	2	TB & TC
33	261-575	£61.20	LINK, shock absorber	2	
34	282-710	£7.60	BUSH, rubber, shock absorber link	4	
35	321-820	£30.00	STUD, shock link mounting	4	
35a	320-690	£8.70	BOLT, 7/16" x 2" BSF	4	
36	GHF334	£0.73	LOCK WASHER, shock link stud	4	
37	311-280	£1.16	NUT, shock link stud	2	
38	261-230	£27.50	PLATE, buffer pad	2	
39	454-430	£153.90	LEAF SPRING, front	2	TA & TB
40	261-200	£48.50	TRUNNION, front spring, pair	2	
41	261-205	£21.00	TRUNNION BOOT	2	
42	AAA843X	£132.30	LEAF SPRING, front	2	TC
44	261-210	£58.10	SHACKLE PLATE, rear of spring	4	
45	ACA5242	£0.72	BUSH, spring, standard**	8	
	280-625	£12.50	BUSH, spring, uprated/polyurethane	8	
46	261-170	£11.60	SHACKLE PIN	4	
48	311-280	£1.16	NUT, shackle pin	8	
**Note: Lower bushes should be trimmed 5/8" shorter, prior to installation.					
50	261-150	£18.20	PIN, front spring	2	
51	328-520	£1.31	GREASE NIPPLE, spring pin	2	
52	261-320	£7.80	TAB WASHER, spring pin	2	
53	261-215	£65.30	BUMP STOP, on chassis	2	TA & TB
54	261-220	£13.50	BUMP STOP, on chassis	2	TC
55	320-560	£2.32	BOLT, buffer pad to chassis	4/8	TA & TB
56	AJD8106Z	£0.47	NUT, buffer pad bolt	4/8	TB, uses 4
57	261-160	£17.70	BOLT, axle beam	8	
58	323-738	£12.20	SCREW SET, plate to bolt	1	set includes 8 screws
59	261-190	£31.50	CASTOR SHIM, can fit TB & early TC (Fit with the wide end to the rear).	2	TC From (c)4251
60	261-540	£115.40	BRACKET, shock mounting, LH	1	
	261-550	£115.40	BRACKET, shock mounting, RH	1	
61	261-545	£12.00	STUD	4	
62	261-555	£27.50	PLATE, spring mounting	2	
63	261-560	£13.60	PLATE, reinforcing	4	
64	AJD8105Z	£0.30	NUT, centre spring bolt	16	
65	AJD8104	£0.53	NUT, locating stud	4	

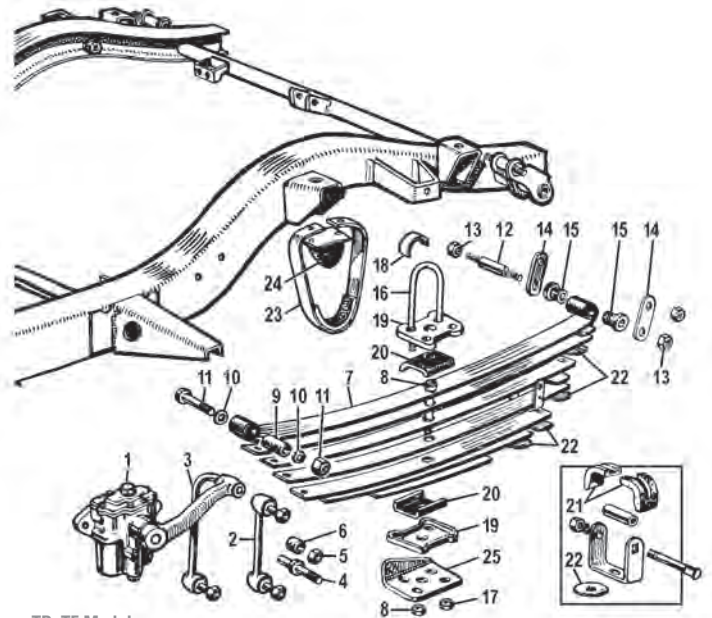


Part Number	Price £ea.	Description	Req.	Details
Front Suspension, TD & TF				
1	NCA	STUB AXLE, RH	1	
	NCA	STUB AXLE, LH	1	
2	ATB4218	£84.00 SWIVEL PIN, RH	1	
	ATB4219	£84.00 SWIVEL PIN, LH	1	
3	ATB4208	£96.00 TOP LINK, RH	1	includes bush
	ATB4209	£96.00 TOP LINK, LH	1	
4	ATB4212	£96.00 BOTTOM LINK, RH	1	includes bush
	ATB4213	£96.00 BOTTOM LINK, LH	1	
	ATB4208SET	£224.00 KING PIN SET, RH	1	
	ATB4209SET	£224.00 KING PIN SET, LH	1	
5	BTB768	£7.50 BUSH, top & bottom link	4	
6	ACG4030	£1.50 SEAL, swivel pin	4	
7	AAA1323X	£2.40 SEAL, link	8	
8	UHN405	£2.26 GREASE NIPPLE, link	4	
9	NCA	STEERING ARM, LH	1	
	NCA	STEERING ARM, RH	1	
10	WKN506	£1.00 KEY, steering arm	2	
11	311-330	£5.40 NUT, steering arm	2	
12	ATB4098	£7.40 DUST CAP	2	TD From (c) 6035 & TF
13	ACF4001	£10.90 SPACER, oil seal	2	
14	ACF4004	£3.49 OIL SEAL, front hub	2	
15	GHB177	£13.96 BEARING, inner hub	2	
16	ACF4003	£12.50 SPACER, bearing	2	
17	GHB176	£7.50 BEARING, outer hub	2	
18	NCA	BRAKE DRUM	2	steel wheels
19	264-240	£11.10 STUD, steel wheel, BSF	10	TD To (c) 12284
	264-110	£12.25 STUD, steel wheel, SAE	10	TD From (c) 12285 & TF
20	264-250	£7.20 NUT, steel wheel stud, BSF	10	TD To (c) 12284
	264-130	£4.55 NUT, steel wheel stud, SAE	10	TD from (c) 12285 & TF
25	ATB4181	£88.80 FRONT HUB, LH	1	
	ATB4180	£88.80 FRONT HUB, RH	1	
26	264-320	£71.40 BRAKE DRUM	2	
27	ATB4124	£2.20 STUD, wire wheel hub	12	wire wheels
28	NT606041	£0.60 NUT, hub stud	12	
29	ATB4125	£2.00 LOCK TAB, brake drum, 3 per drum	6	
30	328-410	£4.80 PLUG, brake adjusting hole	2	
31	ATB4131	£15.20 RETAINER, grease	2	
32	AHH7318A	£27.00 WHEEL SPINNER, 2-eared, LH	1	
	AHH7317A	£27.00 WHEEL SPINNER, 2-eared, RH	1	
33	AHH7316A	£27.50 WHEEL SPINNER, octagonal, LH	1	with MG crest
	AHH7315A	£27.50 WHEEL SPINNER, octagonal, RH	1	
34	AHH5925	£26.40 PAN, coil spring	2	
35	AAA1326	£9.80 WISHBONE ARM	4	
36	321-578	£7.40 BOLT & NUT SET, pan to arm	1	(includes 8 of each)
37	GHF503	£0.30 SPLIT PIN	2	

Part Number	Price £ea.	Description	Req.	Details
38	120-010	£9.00 HUB SEAL, felt	2	TD To (c) 6034
39	264-260	NCA GREASE RETAINER, hub	2	
40	324-445	£3.85 WASHER, steering knuckle nut, 5/8"	2	
	ATB4069	£4.85 WASHER, steering knuckle nut, 3/4"	2	
41	311-380	£14.40 NUT, stub axle, LH, 5/8"	1	LH thread
	311-370	£9.40 NUT, stub axle, RH, 5/8"	1	RH thread
	FNZ2412	£6.50 NUT, stub axle, LH, 3/4"	1	LH thread
	NL612041	£4.20 NUT, stub axle, RH, 3/4"	1	RH thread
44	264-355	£124.90 SHOCK ABSORBER, Armstrong*	2	reconditioned
	264-350	£124.90 SHOCK ABSORBER, Girling*	2	
*Note: Moss can only recondition your old shock absorbers, new and exchange units are no longer available.				
45	AJD6310Z	£1.80 BOLT, shock mounting	8	Armstrong shock abs.
	320-600	£3.30 BOLT, Girling damper mounting, short	4	
	320-610	£3.90 BOLT, Girling damper mounting, long	4	
46	BHH1773	£5.90 STEEL TUBE, link	4	
47	AAA1390	£0.72 THRUST WASHER	8	
49	AAA1324	£0.90 SEAL SUPPORT, link	8	cupped washer
50	139105PR	£74.50 ROAD COIL SPRING, front, pair (Silicon chrome).	1	
51	AHH4002K	£9.00 BOLT & NUT SET, top link	2	1 of each
52	AHH4001K	£4.06 BOLT & NUT SET, bottom link	2	1 of each
54	AHH4003	£24.70 PIVOT, wishbone arm (Requires UNF nut NL608041).	2	
55	321-618	£2.10 BOLT & NUT SET, wishbone arm pivot	8	1 of each
56	AHH7933	£0.90 BUSH, wishbone arm, standard	8	
	BHH1123	£1.80 BUSH, wishbone arm, one piece	4	MGB V8 type
	BHH1123SPK	£44.40 BUSH SET, wishbone arm, polyurethane	1	alternative
57	AAA1330	£0.77 WASHER, wishbone arm pivot	4	
58	AJD8408Z1	NCA NUT, wishbone arm pivot	4	fits original pivots
	NL608041	£1.40 NUT, wishbone arm pivot	4	fits replacement pivots
59	AAA5023	£9.90 REBOUND RUBBER	2	requires spacer
60	AAA5024	£4.60 SPACER, rebound rubber	2	standard on late cars
NI	386-600	£40.60 THREAD RESTORER, BSW/BSF	a/r	see also General Hardware on page 62
NI	386-610	NCA THREAD RESTORER, metric	a/r	
(For restoring damaged threads on bolts/studs).				



TA, TB, TC Models



TD, TF Models

ill.	Part Number	Price £ea.	Description	Req.	Details
Rear Suspension, TA-TB & TC					
1	261-285	NCA	SHOCK ABSORBER, LUVAX, new, LH	1	TA
	261-295	NCA	SHOCK ABSORBER, LUVAX, new, RH	1	
	261-286	£166.80	SHOCK ABSORBER, LUVAX, recon, LH	1	
	261-296	£166.80	SHOCK ABSORBER, LUVAX, recon, RH	1	
2	261-400	£182.20	SHOCK ABSORBER, recon., LH	1	TB & TC
	261-410	£182.20	SHOCK ABSORBER, recon., RH	1	

Note: Moss can only recondition your old shock absorbers; new and exchange units are no longer available. This service is available through our MGT specialist branch in Bradford.

3	261-525	£54.70	LINK, shock absorber	2	TA & TB
4	321-820	£30.00	STUD, shock link	2	
5	311-280	£1.16	NUT, shock link stud	2	
6	282-710	£7.60	BUSH, shock absorber link, rubber	4	
7	454-435	£199.90	REAR SPRING, incl. 'Silent Bloc' bush*	2	
8	261-235	£22.80	TRUNNION BOOT	2	
9	261-225	£48.50	TRUNNION, rear spring, pair	2	

*Note: See item 28.

10	AAA846X	£215.40	REAR SPRING, incl. 'Silent Bloc' bush	2	TC	
11	261-510	£151.90	SHACKLE PIN, lower rear spring	2		
12	PW081	£6.00	NUT, lower rear pin	4		
13	261-180	£12.05	SHACKLE PIN, upper rear spring	2		
14	311-280	£1.16	NUT, upper rear pin	4		
15	ACA5242	£0.72	BUSH, upper, standard	4		
	280-625	£12.50	BUSH, upper, uprated/polyurethane	4		
16	280-620	£8.00	BUSH, lower, large, standard	4		
	280-615	£15.80	BUSH, poly. lower, large, uprated	4		alternative to 280-620
NI	323-975	NCA	FIBRE WASHER, rear shackle	2		
18	261-515	NCA	SHACKLE PLATE, rear spring	4		TA-TB & TC
19	081752	£9.30	SILENTBLOC BUSH	2		
20	261-570	£40.80	TOP PLATE, rear spring, with studs	2		
21	261-595	NCA	SHOCK BRACKET, RH	1		
	261-590	NCA	SHOCK BRACKET, LH	1		
22	320-878	£46.00	BOLT & NUT SET, axle to spring	1	car set	
23	AJD8105Z	£0.30	NUT, 2 per bolt	16		
24	261-330	£112.00	STUD, spring mounting	2		
25	311-335	£1.04	NUT, mounting stud	2		
26	261-340	£32.40	CHECK STRAP, rear axle	2		
27	280-660	£6.50	BUFFER, rear axle	2	TA & TB	
28	PW072	£110.80	TRUNNION BUSH REPAIR, RH	1		
	PW072A	£110.80	TRUNNION BUSH REPAIR, LH (Also known as sliding bush).	1		
29	PW076	£54.90	TRUNNION CAP	2		

Rear Suspension, TD & TF

1	NBM148	£129.30	SHOCK ABS', rear, new, less link, LH	1	Armstrong
	NBM149	£129.30	SHOCK ABS', rear, new, less link, RH	1	
	261-440	£105.70	SHOCK ABS', rear, reconditioned, LH*	1	

ill.	Part Number	Price £ea.	Description	Req.	Details
	261-450	£105.70	SHOCK ABS', rear, reconditioned, RH*	1	Girling
	261-420	£145.80	SHOCK ABS', rear, reconditioned, LH*	1	
	261-430	£145.80	SHOCK ABS', rear, reconditioned, RH*	1	
	CRTR218	£5.26	DECAL, shock label, Girling	2	

*Note: On the shocks listed above, we can only recondition your old shock absorbers, new and exchange units are no longer available. This service is available through our MGT specialist branch in Bradford.

Koni Shock Absorber Conversion - Make your T-Type handle

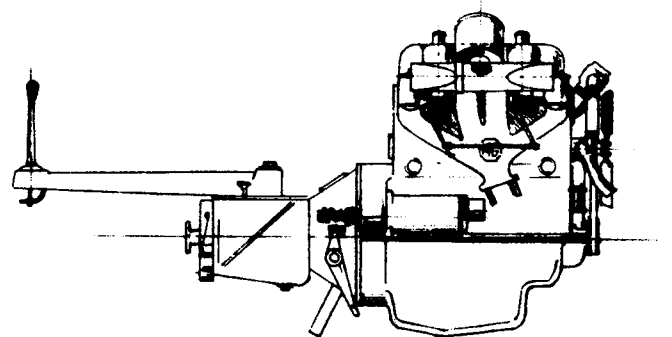
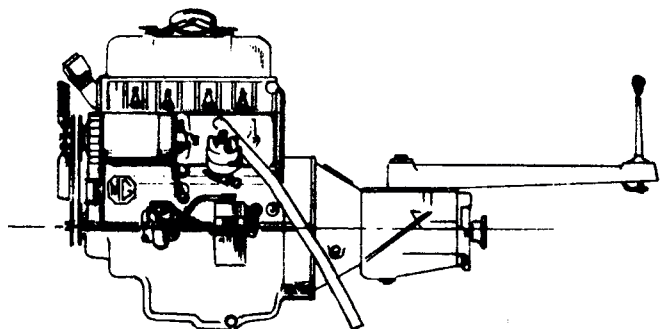
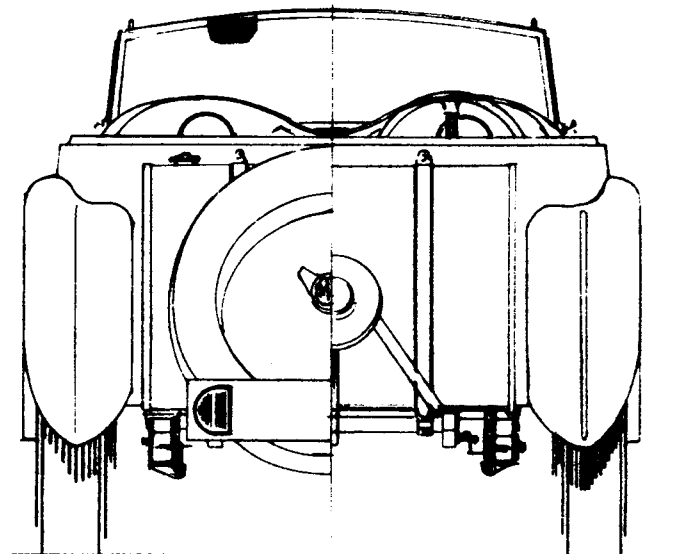
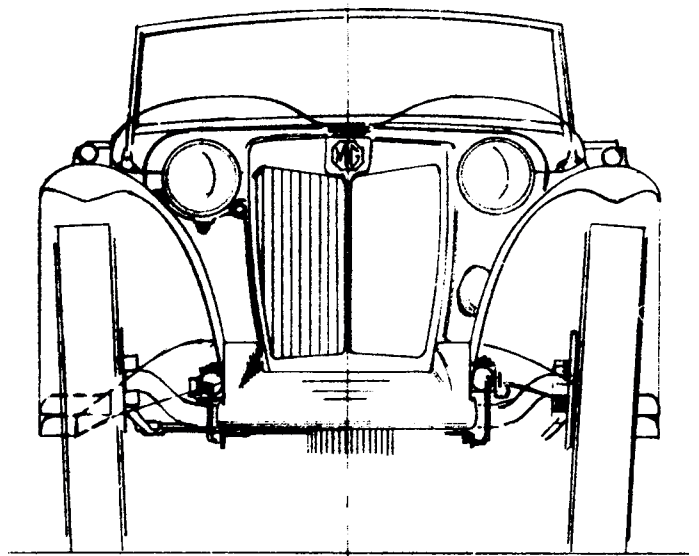
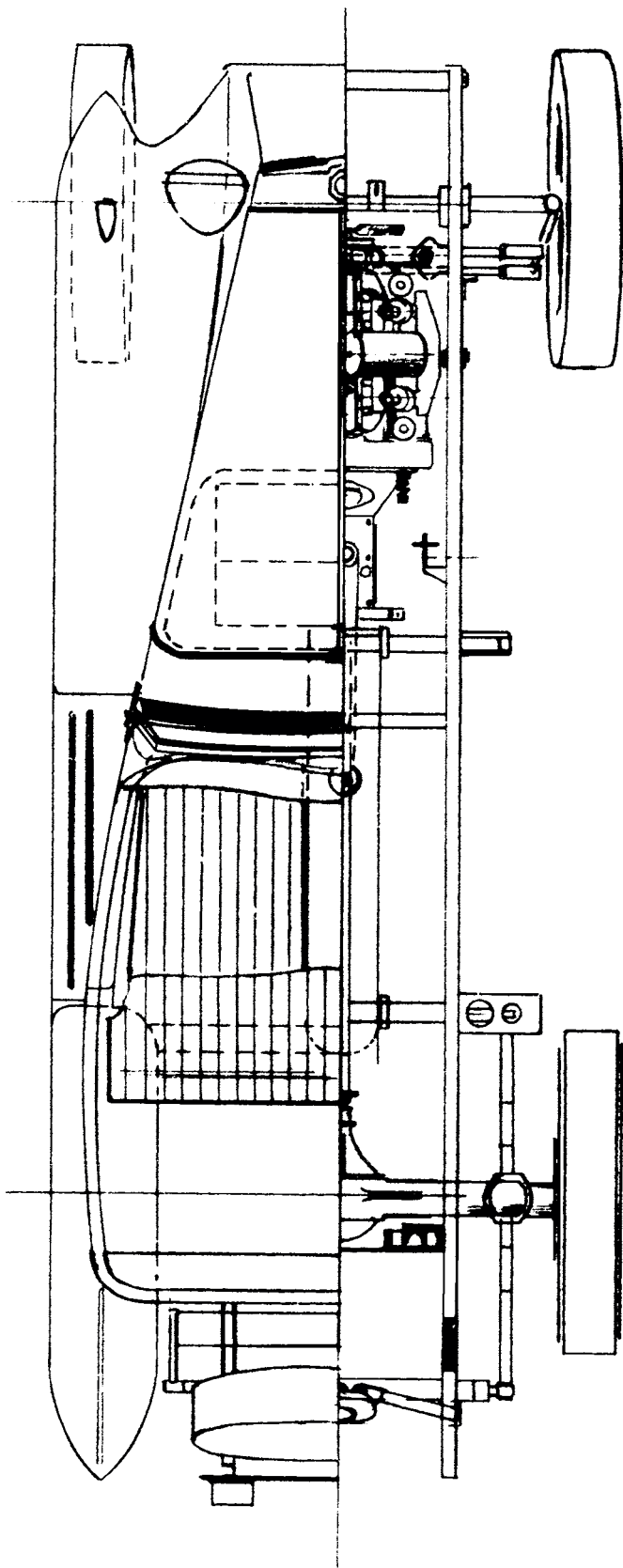
NI	267-658	£514.00	KONI CONVERSION KIT	1	use only when Koni conversion kit fitted Armstrong
NI	MM267-657PR	£267.00	KONI SHOCK ABSORBER, pair	2	
2	266-480	£29.10	LINK	2	Girling
3	266-455	£62.20	LINK	2	
4	321-820	£30.00	STUD, shock link	2	
5	311-280	£1.16	NUT, shock link stud	2	
6	282-710	£7.60	BUSH, shock link	2	TD
7	AAA2372	£166.20	REAR SPRING, incl. 'Silent Bloc' bush	2	
	AAA5031	£166.20	REAR SPRING, incl. 'Silent Bloc' bush	2	TF
8	321-228	£15.60	BOLT & NUT SET, centre leaf spring	2	one of each
9	AAA629	£2.90	'SILENT BLOC' BUSH	2	
10	324-195	£1.60	WASHER, fibre	4	polyurethane
11	322-718	£6.95	BOLT & NUT SET, pivot	2	
12	261-170	£11.60	SHACKLE PIN, rear spring	4	
13	311-280	£1.16	NUT, shackle pin	8	
14	266-440	£18.40	SHACKLE PLATE	4	
15	ACA5242	£0.72	BUSH, rear spring, standard	8	
	280-625	£12.50	BUSH, rear spring, uprated	8	
16	266-420	£6.70	'U' BOLT	4	
17	AJD8336Z	£1.06	NUT, nyloc	8	
18	AH5082	£8.60	BUFFER PLATE, 'U' bolt to housing	2	
19	266-450	£12.70	PLATE, spring centre	4	alternative (Axle set).
20	280-630	£4.85	PAD, spring seating	4	
	ACA5138SPK	£43.20	PAD SET, spring seating, polyurethane,	1	
21	280-640	£3.10	PAD, spring clip	8	
22	280-650	£3.46	PAD, between leaves	24	
23	266-430	£49.80	CHECK STRAP	2	
24	266-500	£17.20	REBOUND RUBBER, rear axle	2	
25	266-620	NCA	BRACKET, shock link, LH	1	
	266-630	NCA	BRACKET, shock link, RH	1	

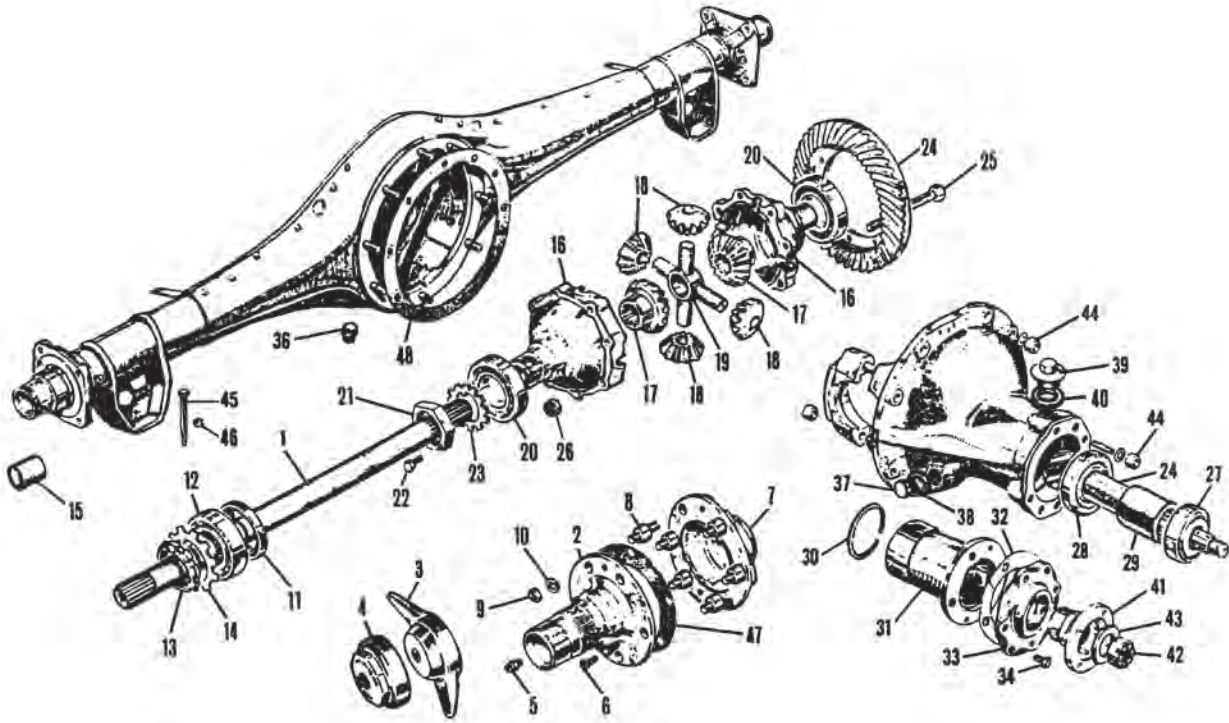
Shock Absorber Bush Installation Kit

Installing new Girling shock absorber bushes and link pins has been a great source of frustration for TA-TB-TC and early TD owners for years. Replacement bushes available over the years have been either very easy to install (and coming apart just as easily) or nearly impossible to install! We have introduced a well-designed installation tool set, with detailed installation instructions.



NI	MM385-890	£88.50	BUSH INSTALLATION KIT	a/r
----	-----------	--------	-----------------------	-----





ill. Part Number Price £ea. Description Req. Details

Rear Axle, TA-TB & TC

Axle Shaft & Hubs

1	453-210	£123.10	AXLE SHAFT, standard	2	
	453-185	£160.60	AXLE SHAFT, nitrided chrome-moly	2	
2	AAA539	£123.50	REAR HUB, RH	1	
	AAA540	£123.50	REAR HUB, LH	1	
3	AHH7317	£27.70	WHEEL SPINNER, 2-eared, RH	1	
	AHH7317MWS	£27.60	WHEEL SPINNER, 2-eared, RH	1	alternative
	AHH7317A	£27.00	WHEEL SPINNER, 2-eared, RH	1	with MG motif
	AHH7318	£27.70	WHEEL SPINNER, 2-eared, LH	1	
	AHH7318MWS	£27.60	WHEEL SPINNER, 2-eared, LH	1	alternative
	AHH7318A	£27.00	WHEEL SPINNER, 2-eared, LH	1	with MG motif
4	AHH7315	£27.10	WHEEL SPINNER, octagonal, RH	1	
	AHH7315A	£27.50	WHEEL SPINNER, octagonal, RH	1	with MG motif
	AHH7316	£27.10	WHEEL SPINNER, octagonal, LH	1	
	AHH7316A	£27.50	WHEEL SPINNER, octagonal, LH	1	with MG motif
5	328-520	£1.31	GREASE NIPPLE, rear hub	2	
6	323-748	£9.20	SCREW SET, rear hub	1	includes 4 screws
7	265-130	£115.00	HOUSING, bearing	2	includes studs
8	328-840	£21.00	STUD, bearing housing	12	
9	AJD8206Z	£0.66	NUT, bearing housing stud	12	
10	324-340	£0.55	WASHER, bearing housing stud	12	
11	AAA969	£4.20	OIL SEAL, rear hub	2	
12	B104	£23.10	BEARING, rear hub	2	
13	265-110	£43.70	LOCK NUT, RH	1	RH thread
	265-120	£43.70	LOCK NUT, LH	1	LH thread
14	265-100	£5.80	TAB WASHER, lock nut	2	
15	330-210	£20.40	BUSH, oil return, RH	1	important item that's
	330-110	£20.40	BUSH, oil return, LH	1	very often overlooked

Differential & Pinion Gears

16	265-090	£720.00	CASE, differential	1	
17	265-080	£122.40	GEAR, differential	2	
18	265-040	£104.60	GEAR, pinion	4	
19	265-050	£244.80	SPIDER, differential	1	
20	2K5943	£18.10	BEARING, differential carrier	2	
21	265-180	£22.10	ADJUSTING NUT, differential bearing	2	
22	265-030	£3.20	SCREW, adjusting nut	2	
23	265-060	£14.10	LOCK RING, adjusting nut	2	
24	265-000	£661.20	C/WHEEL & PINION, 4.875:1*	1	TA & TB
	265-010	£661.20	C/WHEEL & PINION, 5.125:1*	1	TC

*Note: Can be used as alternatives.

25	AJD6220Z	£1.90	BOLT, ring & pinion	8	
26	AJD8105Z	£0.30	NUT, for bolt	8	
27	125-020	£86.20	BEARING, front pinion, single row	1	TA
	125-000	£54.40	BEARING, front pinion, double row	1	TB & TC
28	128-100	£48.00	BEARING, rear pinion, roller bearing	1	
29	265-020	£14.20	SPACER, pinion bearing	1	

ill. Part Number Price £ea. Description Req. Details

30	265-021	£11.10	SPRING CLIP, rear pinion bearing	1	
31	265-190	N/A	HOUSING, pinion	1	
32	263-470	£4.00	SHIM, 0.002"	a/r	
	263-480	£4.00	SHIM, 0.005"	a/r	
	263-490	£4.00	SHIM, 0.010"	a/r	

TA-TB & TC Differential Pinion Cap

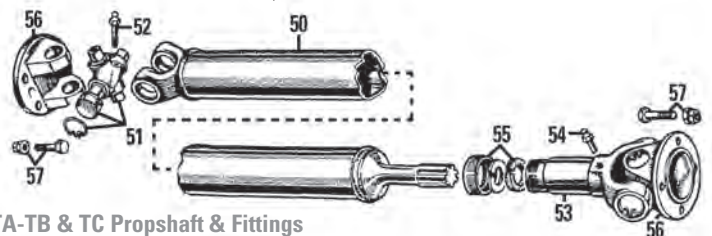
This re-engineered item incorporates a modern double-lipped oil seal in a precision machined alloy housing. The really clever aspect of this design is that the seal is positioned so as to fit against the unworn portion of the original pinion flange, eliminating any need for machine work. The installed unit, when painted, duplicates the original appearance.



33	265-198	£101.30	DIFFERENTIAL PINION CAP	1	
	120-110	£10.00	SEAL, replacement for pinion cap	a/r	
34	265-196	£4.75	SCREW, housing cap	2	

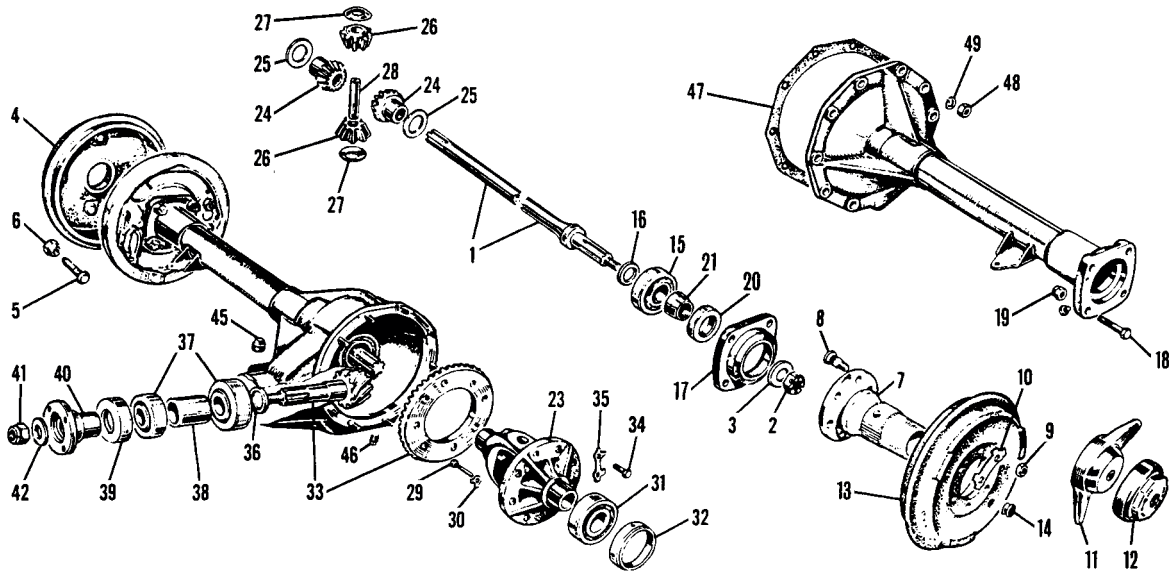
Rear Axle Case Fittings

36	328-089	N/A	PLUG, oil drain	1	
37	328-086	£11.70	PLUG, oil level indicator	1	
38	328-093	£0.40	WASHER, oil level plug	1	
39	328-087	£39.20	PLUG, oil filler	1	
40	328-092	£1.20	WASHER, oil filler plug	1	
41	265-200	£140.40	FLANGE, pinion	1	
42	311-430	£18.00	NUT, pinion flange	1	
43	328-094	£10.30	WASHER, pinion flange nut	1	
44	AJD8105Z	£0.30	NUT	14	
45	320-878	£46.00	BOLT & NUT SET, axle to spring	1	car set
46	AJD8105Z	£0.30	NUT	16	2 per bolt
47	294-200	£2.10	GASKET, rear hub	2	
48	294-300	£4.74	GASKET, differential	1	



TA-TB & TC Propshaft & Fittings

50	268-015	£188.80	PROPSHAFT	1	
51	GUJ115	£9.90	UNIVERSAL JOINT, greaseable	2	
	GUJ115Z	£8.10	UNIVERSAL JOINT, greaseable	2	aftermarket
52	549229A	£1.84	GREASE NIPPLE, universal joint	2	
53	7H3865	£31.40	YOKE	1	
54	549229A	£1.84	GREASE NIPPLE, yoke	1	
55	7H3880X	£4.00	DUST CAP & CORK SEAL SET, yoke	1	
56	7H3863	£17.60	FLANGE	2	
57	321-338	£10.20	BOLT & NUT SET	2	4 bolts & nuts for 1 flange



iii. Part Number Price £ea. Description Req. Details

Rear Axle, TD & TF

Axle Shaft, Hubs & Brake Drums

1	453-220	£274.90	AXLE SHAFT, SAE	2	use part no. 310-590 nut
2	311-490	£8.00	NUT, axle shaft, BSF, 11 TPI	2	TD To (c) 12284
	310-590	£9.20	NUT, axle shaft, SAE, 14 TPI	2	TD From (c) 12285 & TF
3	324-500	£10.20	WASHER, axle shaft nut	2	
4	266-510	NCA	BRAKE DRUM	2	steel wheels
5	264-240	£11.10	STUD, steel wheel, BSF	10	TD To (c) 12284
	264-110	£12.25	STUD, steel wheel, UNF	10	TD From (c) 12285 & TF
6	264-250	£7.20	NUT, steel wheel stud, BSF	10	TD To (c) 12284
	264-130	£4.55	NUT, steel wheel stud, UNF	10	TD From (c) 12285 & TF
7	AAA1113	£78.00	REAR HUB, wire wheels, LH	1	
	AAA1112	£78.00	REAR HUB, wire wheels, RH	1	
8	ATB4124	£2.20	STUD, wire wheel hub	12	
9	NT606041	£0.60	NUT, hub stud	12	
10	ATB4125	£2.00	LOCK TAB, brake drum	6	3 per drum
11	AHH7317	£27.70	WHEEL SPINNER, 2-eared, RH	1	
	AHH7317MWS	£27.60	WHEEL SPINNER, 2-eared, RH	1	alternative
	AHH7317A	£27.00	WHEEL SPINNER, 2-eared, RH	1	with MG motif
	AHH7318	£27.70	WHEEL SPINNER, 2-eared, LH	1	
	AHH7318MWS	£27.60	WHEEL SPINNER, 2-eared, LH	1	alternative
	AHH7318A	£27.00	WHEEL SPINNER, 2-eared, LH	1	with MG motif
12	AHH7315	£27.10	WHEEL SPINNER, octagonal, RH	1	
	AHH7315A	£27.50	WHEEL SPINNER, octagonal, RH	1	with MG motif
	AHH7316	£27.10	WHEEL SPINNER, octagonal, LH	1	
	AHH7316A	£27.50	WHEEL SPINNER, octagonal, LH	1	with MG motif
13	264-320	£71.40	BRAKE DRUM	2	wire wheels
14	328-410	£4.80	PLUG, brake adjusting hole	2	
15	GHB158	£12.90	BEARING, rear hub	2	
	GHK1213	£12.30	HUB BEARING KIT	2	
16	266-020	£30.00	SPACER, rear hub bearing	2	
17			HOUSING, bearing	2	
18			BOLT, housing	8	
19	AJD8336Z	£1.06	NUT, nyloc, bearing housing bolt	8	
20	GHS179	£1.96	OIL SEAL, rear hub	2	
21	AAA982	£32.40	COLLAR, oil seal	2	

Differential & Pinion Gears

23		NCA	CASE, differential	1	
24		NCA	GEAR, differential	2	
25	266-370	£24.20	THRUST WASHER, differential gear	2	
26		NCA	GEAR, pinion	2	
27	266-010	NCA	THRUST WASHER, pinion gear	2	
28	266-360	NCA	PIN, pinion gear	1	
29	320-210	NCA	BOLT, pinion gear pin	1	
30	266-350	NCA	LOCK TAB, pinion pin bolt	1	
31	2K5943	£18.10	BEARING, differential	2	
32	266-180	NCA	COLLAR, differential bearing, 0.496"	a/r	
	266-190	NCA	COLLAR, differential bearing, 0.497"	a/r	
	266-200	NCA	COLLAR, differential bearing, 0.498"	a/r	
	266-220	NCA	COLLAR, differential bearing, 0.500"	a/r	
	266-230	NCA	COLLAR, differential bearing, 0.501"	a/r	
	266-240	NCA	COLLAR, differential bearing, 0.502"	a/r	
	266-250	NCA	COLLAR, differential bearing, 0.503"	a/r	
	266-270	NCA	COLLAR, differential bearing, 0.505"	a/r	
	266-280	NCA	COLLAR, differential bearing, 0.506"	a/r	

TD & TF Crown Wheel & Pinion Gear Sets

Crown wheel & pinion gear sets for the TD & TF are no longer available. While original gear sets are very long wearing, standard rear axle ratios (particularly the 5.125:1 ratio as fitted to most TD's) are not well

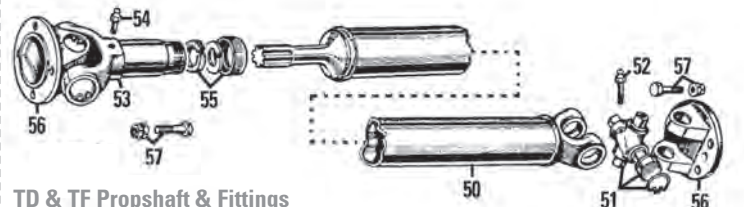
iii. Part Number Price £ea. Description Req. Details

suited to modern highway driving conditions. We feel that the best ratio for a regularly driven TD or TF is a 4.55:1 ratio (fitted as standard on MG ZA & ZB models). MGA or MG ZA/ZB gear sets can be fitted without permanent modification. We offer a 'crown wheel & pinion conversion' Workshop Manual (part no. 212-350) which covers this somewhat detailed process. A complete CW&P conversion kit (102262K) consisting of all the major parts needed to convert to the MGA CW&P is available to be purchased in addition to the manual. Includes crown wheel & pinion, spacer & pinion bearing. It does not include parts for a normal rebuild; you will need to buy these separately.

33	ATB7056	NCA	CROWN WHEEL & PINION, 4.875:1	1	original
	102262	£120.70	CROWN WHEEL & PINION, 4.55:1	1	alternative
	102262K	£208.80	CROWN WHEEL & PINION, 4.55:1	1	conversion kit
34	321-198	NCA	BOLT SET, ring & pinion, BSF	1	TD To (c) 12284
	322-668	£6.00	BOLT SET, ring & pinion, SAE	1	TD From (c) 12285 & TF
	ATA7043	£1.21	BOLT, ring & pinion, SAE	8	TD From (c) 12285 & TF
35	266-040	£8.90	LOCK TAB, ring & pinion bolt	4	
36	266-070	NCA	WASHER, 0.119"	a/r	pinion adjusting
	266-090	NCA	WASHER, 0.121"	a/r	
	266-120	NCA	WASHER, 0.124"	a/r	
	266-130	NCA	WASHER, 0.125"	a/r	
	266-150	NCA	WASHER, 0.127"	a/r	
	266-160	NCA	WASHER, 0.128"	a/r	
37	129-008	£114.80	BEARING SET, pinion, 2 bearings	1	original CW&P ATB7056
	100897A	£36.00	BEARING, pinion, inner	1	alternative CW&P 102262
	2A7213	£21.60	BEARING, pinion, outer	1	
	212-350	£11.00	MANUAL, conversion CW&P	1	
	102262K	£208.80	CONVERSION KIT, CW&P, 4.55:1	1	

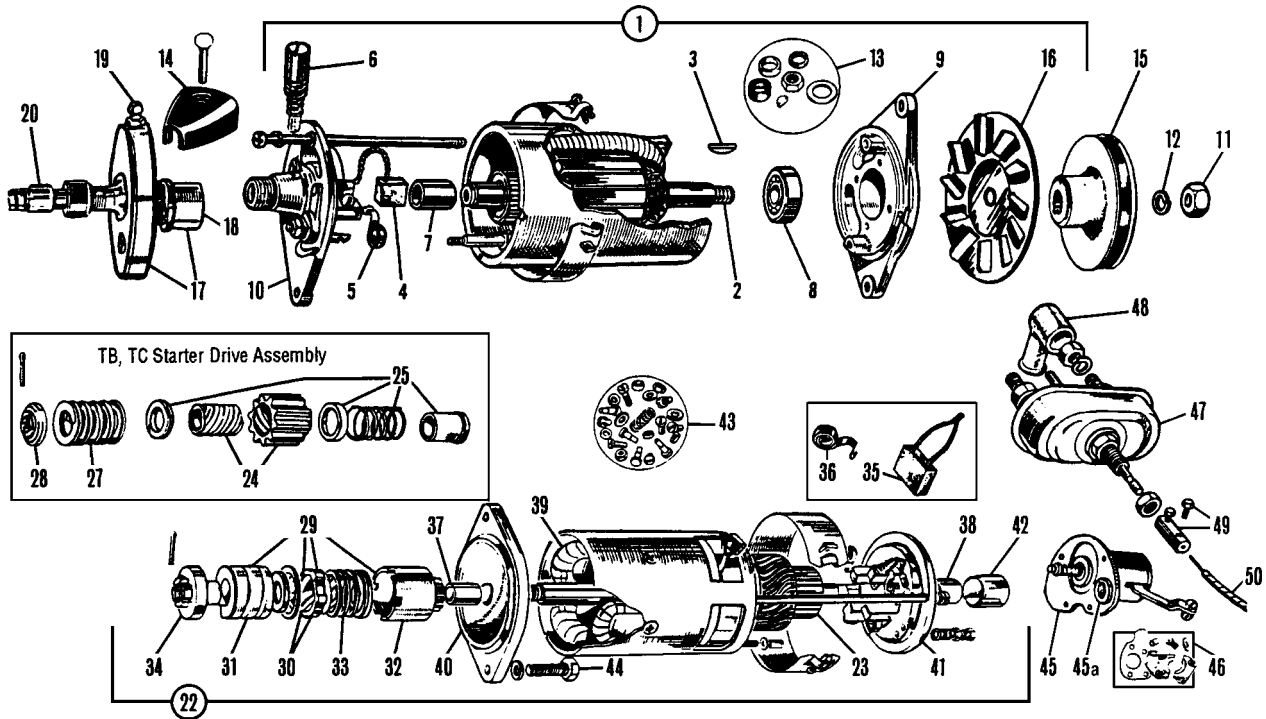
Note: The bearing set 129-008 can only be used with original CW&P ATB7056 which is NLA. We advise you buy CW&P conversion kit 102262K along with conversion manual 212-350.

38	266-490	NCA	SPACER, pinion bearing	1	
39	88G320	£3.18	OIL SEAL, pinion	1	
40	266-340	£83.70	FLANGE, pinion	1	
	ATB7059	£120.40	FLANGE, pinion*	1	MGA type
41	311-430	£18.00	NUT, pinion flange, BSF	1	TD To (c) 12284
	510618A	£1.16	NUT, pinion flange, SAE	1	TD From (c) 12285 & TF
42	324-470	NCA	WASHER, pinion flange nut	1	
45	328-130	£4.70	PLUG, oil filler	1	
46	328-089	NCA	PLUG, oil drain	1	TD To (c) 12284
	328-090	£19.60	PLUG, oil drain	1	TD From (c) 12285 & TF
47	294-400	£3.20	GASKET, differential housing	1	
48	AJD8105Z	£0.30	NUT, cover stud, BSF	10	TD To (c) 12284
	GHF202	£0.22	NUT, cover stud, UNF	10	TD From (c) 12285 & TF
49	GHF332	£0.40	LOCK WASHER, cover stud nut	10	



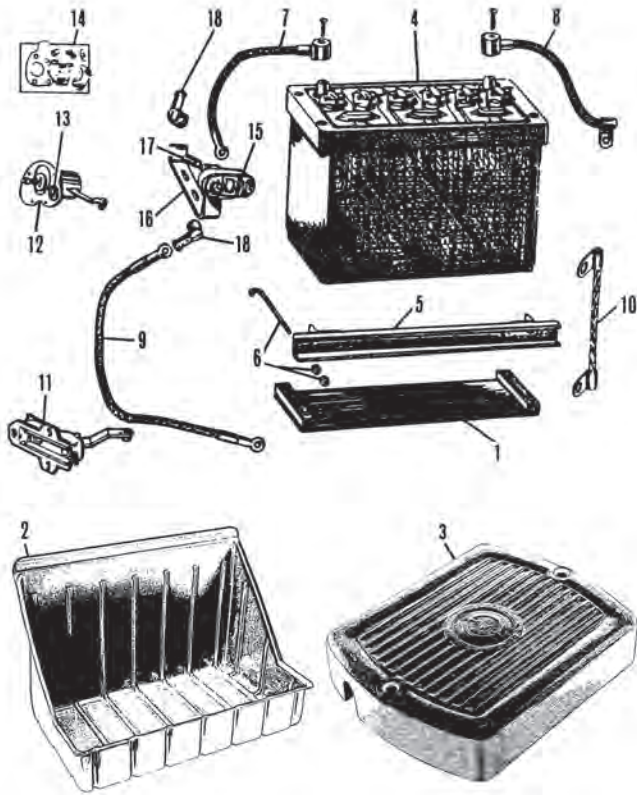
TD & TF Propshaft & Fittings

50	268-025	£176.10	PROPSHAFT	1	
51	GUJ115	£9.90	UNIVERSAL JOINT, greaseable	2	aftermarket
	GUJ115Z	£8.10	UNIVERSAL JOINT, greaseable	2	
52	7H3858	£2.40	GREASE NIPPLE, universal joint	1	
53	7H3865	£31.40	YOKE	1	
54	549229A	£1.84	GREASE NIPPLE, yoke	1	
55	7H3880X	£4.00	DUST CAP & CORK SEAL SET, yoke	1	
56	7H3863	£17.60	FLANGE	2	
57	321-338	£10.20	BOLT & NUT SET	2	4 bolts & nuts for 1 flange



Part Number	Price £ea.	Description	Req.	Details
Dynamo				
1	EL177 £340.70 AEJ49 £150.00	DYNAMO, reconditioned, exchange DYNAMO, new (Replacement type with Lucar terminals).	1	TB & TC TD & TF
2	NCA	ARMATURE, dynamo	1	
*Note: TA dynamos are no longer available.				
3	327-030 £1.20	KEY, armature shaft	1	all models
4	147-100 £2.50 GG8105 £2.26	BRUSH SET, dynamo BRUSH SET, dynamo	1	TC TD & TF
5	7H5031 NCA	SPRING SET, dynamo brush	1	all models
6	147-900 £39.50	OILER, dynamo	1	
7	148-000 £11.30 7H5390 £6.70	BUSH, dynamo BUSH, dynamo	1	TC TD & TF
8	125-200 £10.20 18G8619 £15.20	BEARING, dynamo BEARING, dynamo	1	TD & TF
9	148-100 NCA 147-300 NCA	PLATE, drive end PLATE, drive end	1	TC TD & TF
10	27H5420 £20.10	PLATE, commutator end	1	
11	AJD8207Z £1.31 7H5023 £7.80 NT607041 £1.00	NUT, armature shaft, 7/16" NUT, armature shaft, 0.668" NUT, armature shaft, 7/16"	1	TC TD & TF
12	146-500 NCA GHF334 £0.73	LOCK WASHER, armature shaft LOCK WASHER, armature shaft	1	TC TD & TF
13	NCA	SUNDRY PARTS KIT	1	TD & TF
14	149-950 £42.00 433-625 £74.90 433-655 NCA	COVER, dynamo terminal PULLEY/FAN, dynamo PULLEY/FAN, dynamo*	1	TC early TD
15	433-660 £42.30	PULLEY, dynamo*	1	late TD & TF
16	17D11 £13.60	FAN, dynamo*	1	
*Note: The pulley & fan for early and late TD dynamos are interchangeable.				
17	PWT923 £217.80 27H210 £104.10	GEARBOX, tachometer reduction GEARBOX, tachometer reduction*	1	TA TB, TC, TD, TF
18	360-040 £16.40	COUPLING KIT, gearbox to dynamo	1	
19	328-510 £2.40	GREASE NIPPLE, tachometer	1	reduction gearbox to dynamo
*Note: The TC reduction gearbox can be fitted to TA & TB's when a tachometer cable with push-on tachometer end & screw-on dynamo end is used (part no. 331-045).				
20	331-035 £66.40 331-045 £66.40 MM331-170 £49.10 331-056 £49.10	CABLE, tachometer, 48" (Push-on both ends). CABLE, tachometer, 48" (Push-on tacho' end & screw-on dynamo end). CABLE, tachometer, 48" CABLE, tachometer, 40"	1	TA & TB TC, RHD TD & TF TD & TF, LHD
Starter Motor				
22	GEU9401X £243.00	STARTER MOTOR, high torque	1	TA

Part Number	Price £ea.	Description	Req.	Details
EL178	£342.40	STARTER MOTOR, recon./exchange	1	TB & TC
GEU9403X	£243.00	STARTER MOTOR, high torque	1	
GEU9405	£78.00	STARTER, MOTOR, new	1	TD & TF
GEU9405X	£243.00	STARTER MOTOR, high torque	1	
*Note: Our High Torque type starter motors are a direct replacement for the original unit and are geared for maximum cranking power, particularly suitable for high compression competition engines.				
23	7H5050 NCA	ARMATURE, starter	1	TD & TF
24	7H5008 NCA	DRIVE, starter	1	
25	070062 NCA	KIT, starter drive retaining	1	TB & TC
27	7H5007 £10.96	SPRING, main	1	
28	503527 £21.90	NUT	1	
29	NCA	DRIVE, starter	1	
30	148-900 NCA	SLEEVE & NUT	1	
31	7H5045 £4.90	SPRING, main	1	TD & TF
32	67H5010 £23.95	PINION	1	
33	501711 NCA	SPRING, pinion	1	
34	503527 £21.90	NUT	1	TF & replacement starters
35	GSB103 £5.40 GSB102 £3.30	BRUSH SET, starter BRUSH SET, starter	2	TB & TC TD & TF
36	27H2291K NCA 509819A NCA	SPRING SET, starter brush SPRING SET, starter brush	1	TB & TC TD & TF
37	244714A £4.60 7H5049 £3.10	BUSH, drive end BUSH, drive end	1	TB & TC TD & TF
38	242958A £6.10 511141 £2.40	BUSH, commutator end BUSH, commutator end	1	TB & TC TD & TF
39	NCA	FIELD COIL SET	1	TB & TC
40	NCA	PLATE, drive end, with bush NCA PLATE, drive end, with bush	1	
41	NCA	PLATE, comm. end, with brushes	1	TD & TF
42	NCA	CAP, armature end	1	
43	070391 NCA	SUNDRY PARTS KIT	1	
44	320-510 £1.31 145-710 NCA	BOLT, starter to blocks SWITCH, starter	2/3	all models, TB-TC uses 3 TA
45	145-700 £170.80	SWITCH, starter	1	
45a	161-400 £10.60	BUSH, rubber	1	TB & TC
46	150-100 NCA	COPPER CONTACT SET	1	
47	3H949 £35.30	SWITCH, starter	1	
48	8G548 £1.50	RUBBER BOOT, switch terminals	2	TD & TF
49	3H950 £13.10	COUPLING, cable to switch	1	
50	331-370 £85.40 331-280 £43.20 331-400 £43.20	CABLE, starter switch CABLE, starter switch CABLE, starter switch	1	TA-TB & TC TD TF
Starting Handles				
Authentic reproductions with brass handle. Very handy for adjusting valves, and, for starting the car.				
NI 386-140	£93.20	STARTING HANDLE	1	TA-TB & TC
NI 386-150	£108.90	STARTING HANDLE	1	TD & TF
NI 406-070	£5.80	CLIP, starting handle	3	
NI 456-095	£10.00	COVER, starting handle	1	TD & TF



iii. Part Number Price £ea. Description Req. Details

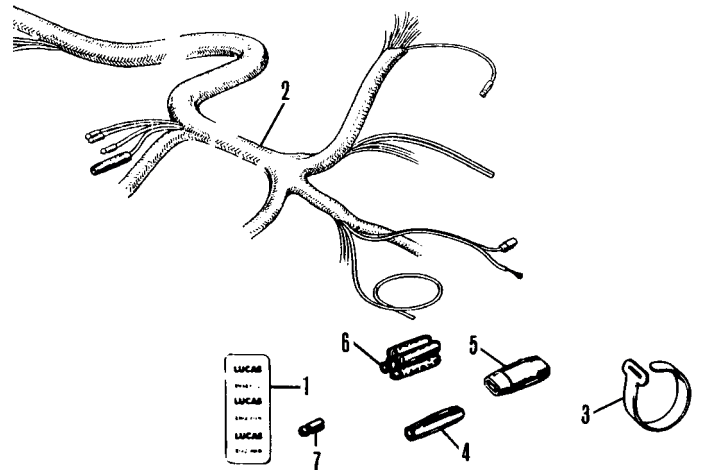
Batteries/Fittings, Cables & Switches

Note: See the Accessories section for further details of battery trays.

Part Number	Price £ea.	Description	Req.	Details
407-710	£39.30	BATTERY TRAY, wooden	1	TD & TF, as original
AM7301	£41.40	LINER, battery tray, (accessory)	1	TD & TF, photograph (This clever - yet functional item, completely hides all but the most terminal symptoms of battery box plague. Ribbed for extra strength, this batter tray not only protects against corrosion, but also makes cleaning around the battery much easier).
BHA4140	£83.90	COVER, battery, 6 volt	2	TA & TB (& MGA)
GBY3031D11	£105.00	BATTERY, 6 volt, 63 A/hr, dry	2	TA & TB
GBY3031W11	£105.00	BATTERY, 6 volt, 63 A/hr, wet	2	
GBY242D	£186.00	BATTERY, 12 volt, 65 A/hr, dry	1	TC-TD & TF
GBY242X	£186.00	BATTERY, 12 volt, 68 A/hr, wet	1	

Note: Due to delivery restrictions of hazardous goods, wet batteries can only be delivered by road and sea carrier to UK and mainland Europe. Dry batteries can be delivered worldwide, customers must arrange their own filling of dry batteries with suitable electrolyte and initial charge.

Part Number	Price £ea.	Description	Req.	Details
407-700	£46.20	BRACKET, battery securing	1	TD & TF
407-618	£10.50	BOLT & NUT SET, battery mounting	1	TD & TF, 2 of each
332-050	£25.20	CABLE, battery to starter	1	TC
332-040	NCA	CABLE, battery to switch	1	TD & TF
131113	£14.80	CABLE, battery to earth	1	TC
332-020	NCA	CABLE, battery to earth	1	TD & TF
AHA7776	£9.50	CABLE, switch to starter	1	
2K6167	£10.40	CABLE, engine earth	1	all models
145-710	NCA	SWITCH, starter	1	TA
145-700	£170.80	SWITCH, starter	1	
161-400	£10.60	BUSH, rubber	1	TB & TC
150-100	NCA	CONTACT SET, starter switch	1	
3H949	£35.30	SWITCH, starter	1	
AHH5002X	£14.30	BRACKET, starter switch	1	TD & TF
3H950	£13.10	COUPLING, cable to switch	1	
8G548	£1.50	RUBBER BOOT, switch terminals	2	



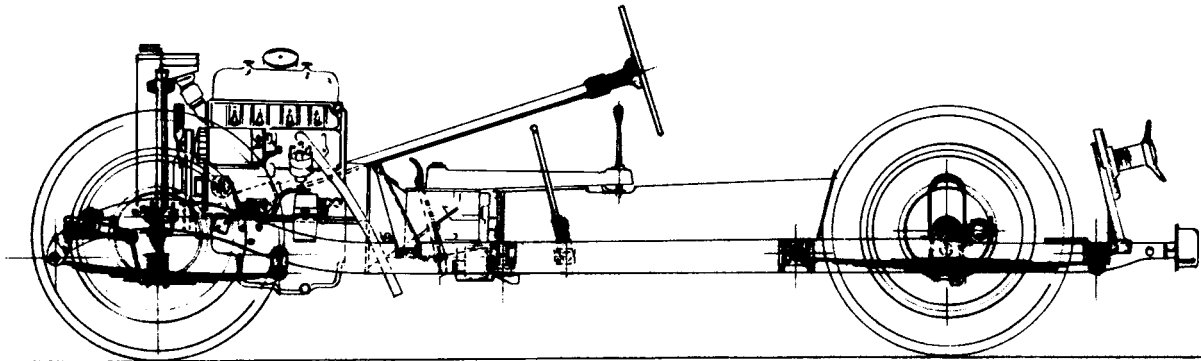
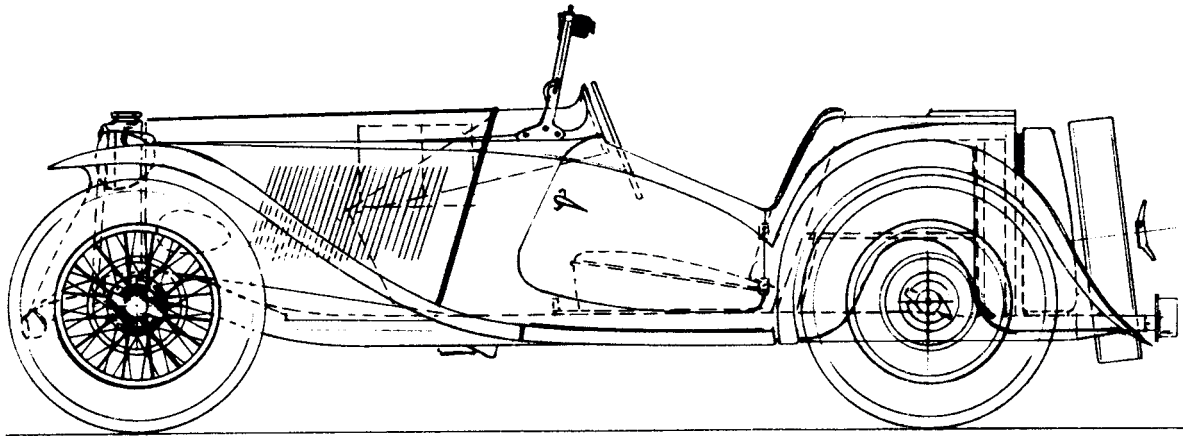
iii. Part Number Price £ea. Description Req. Details

Wiring Looms & Connectors

All of our T-series wiring looms feature original style braided cloth binding over original type lacquer-braided individual wires. These are colour-coded to original specifications and include required connectors. As was the case with factory replacement looms, neither the under-dash sub-loom connecting between various points on the dash itself, nor the TF headlamp pigtailed are included. For U.K. MOT purposes any car manufactured after 1936 must carry red rear/white front indicators or separate amber ones, our looms marked with (*) allows indicators to be incorporated in the side and tail lamps.

Part Number	Price £ea.	Description	Req.	Details
CRST122	£2.00	DECAL 'LUCAS'	a/r	
357-470	£190.73	WIRING LOOM, lacquer-braid (No wires for indicators).	1	TA & TB
357-475	£260.50	WIRING LOOM, lacquer-braid* (With wires for side & tail lights).	1	
357-480	£203.00	WIRING LOOM, lacquer-braid (No wires for indicators).	1	TC
357-030	£254.30	WIRING LOOM, lacquer-braid (Wires for separate indicators).	1	
357-040	£284.00	WIRING LOOM, lacquer-braid* (With wires for side & tail lights).	1	TD To (c)18882
MM357-040	£221.80	WIRING LOOM, lacquer-braid* (USA spec. With wires for two separate indicator relays).	1	
357-060	£192.00	WIRING LOOM, lacquer-braid (Dash-mounted dip switch & no wires for indicators).	1	TD From (c)18883
357-485	£247.56	WIRING LOOM, lacquer-braid (Dash-mounted dip switch & wires for separate indicators).	1	
357-070	£234.00	WIRING LOOM, lacquer-braid* (Dash-mounted dip switch & with indicator wires to incorporate side & tail lights).	1	TD From (c)18883
357-490	£227.10	WIRING LOOM, lacquer-braid (Foot dip switch & no wires for indicators).	1	
357-495	£278.86	WIRING LOOM, lacquer-braid (Foot dip switch & wires for sep. indicators).	1	TD From (c)18883
357-080	£234.00	WIRING LOOM, lacquer-braid* (Foot dip switch & with indicator wires to incorporate side & tail lights).	1	
357-090	£245.20	WIRING LOOM, lacquer-braid	1	TF
2K6640	£4.80	STRAP, wire tie-down	a/r	rubber covered
104618	£0.43	WIRE CONNECTOR, 1 way	a/r	
RTC603A	£0.64	WIRE CONNECTOR, 2 way	a/r	
161-710	£11.00	WIRE CONNECTOR, 5 way	a/r	
003632	£0.55	BULLET CONNECTOR	a/r	
NI MQC1001	£4.00	TAPE, black, self adhesive	a/r	
NI MQC1000	£8.70	TAPE, blue, self adhesive	a/r	

*Note: These looms also require: 1 Relay (3H1454), 1 Flasher unit (GFU2101) & 1 Turn switch (AMK5607) plus, 1 Turn switch Knob (27H5511) & a quantity of 2 'double filament' bulb holders (157-600) for front side lights.

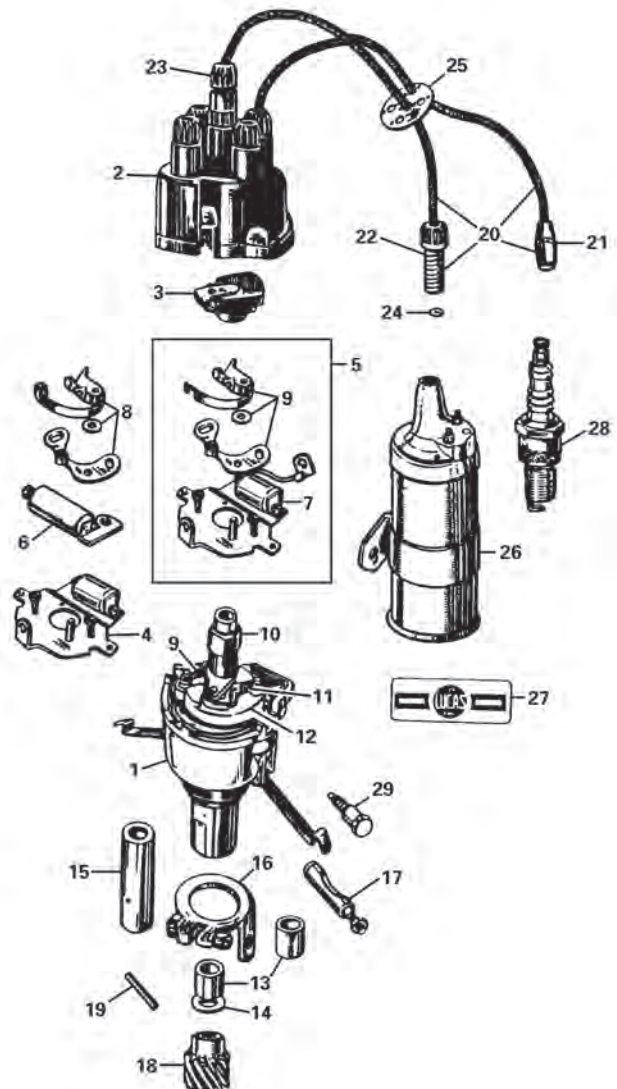


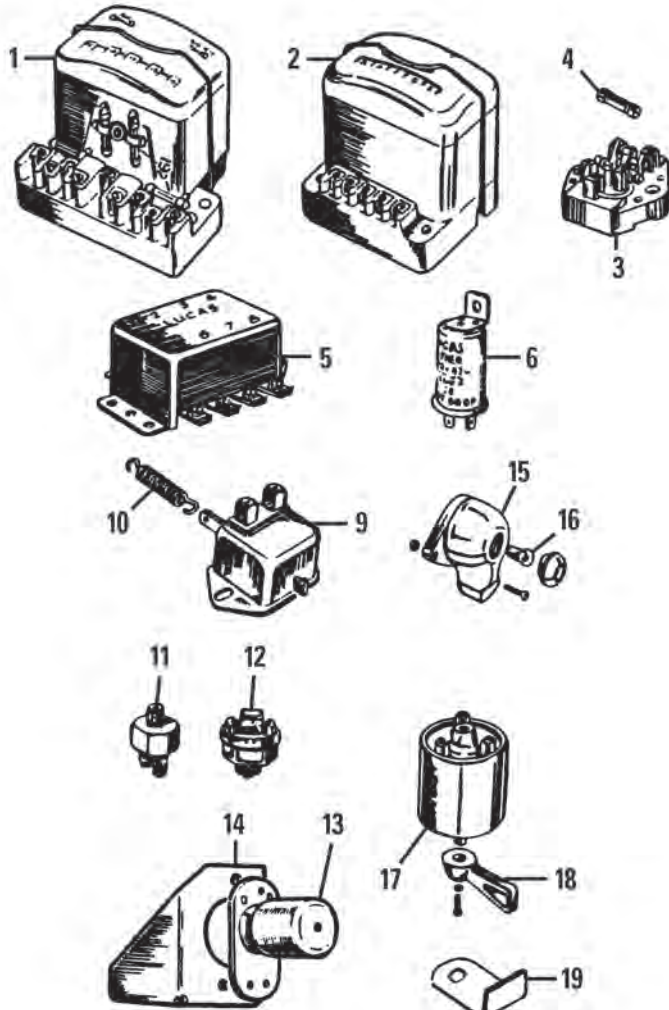
iii. Part Number Price £ea. Description Req. Details

Ignition System

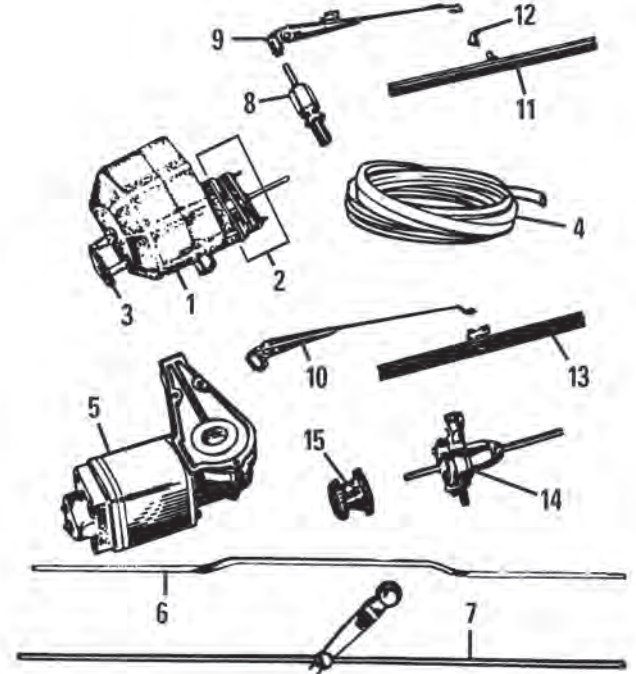
Note: See the Accessories section for further details.

1	143-000	£151.00	DISTRIBUTOR, original type, recon./exch.	1	TC & early TD
	143-010	£151.00	DISTRIBUTOR, Lucas replacement type	1	late TD & TF
	143-010X	NCA	DISTRIBUTOR, original type, recon./exch.	1	
2	153-030	£43.30	CAP, distributor	1	TA
	AAA4772	£13.60	CAP, distributor	1	TB-TC-TD & TF
3	GRA2101	£3.70	ROTOR ARM	1	all models
	GRA2101HQ	£9.90	ROTOR ARM, high quality	1	
4	163-915	£24.80	PLATE, for condenser	1	TA
	152-900	£15.00	PLATE, points & condenser	1	TB-TC-TD & TF
5	163-700	£42.90	PLATE KIT, with condenser & points	1	TB-TC-TD & TF
6	163-895	£27.10	CONDENSER	1	TA
7	163-900	£8.90	CONDENSER, screw-on type	1	dist. no. 40367 & 40368
8	152-230	£17.40	POINT SET	1	TA
9	GCS112	£3.55	POINT SET	1	TD-TC-TD & TF
	GCS112HQ	£15.30	POINT SET, high quality	1	
10	NCA		CAM, distributor	1	
11	152-300	£12.30	SPRING, distributor, pair	1	dist. no. 40367 & 40368
12	NCA		WEIGHT, distributor	2	
13	168-008	£28.10	BUSH SET, 2 bushes	1	dist. no. 40048 & 40162
14	AUC3233	£1.40	WASHER, copper	1	
15	606895	£26.80	BUSH, distributor	1	dist. no. 40367 & 40368 D/H
	NCA		BUSH, distributor	1	dist. no. 40368 A/B
16	163-710	£85.30	CLAMP, distributor	1	TD To (e) 20941
17	433-540	£47.20	COTTER BOLT, distributor	1	TD From (e) 20942 & TF
18	433-520	£67.70	GEAR, distributor	1	TB-TC-TD & TF
19	325-010	£0.70	PIN, gear to shaft	1	
20	171-618	£43.40	IGNITION LEAD SET, complete	1	
	AAA5981M	£2.75	IGNITION LEAD, sold per metre, black	a/r	
21	171-530	£6.60	SPARK PLUG NUT	4	
22	105036	£1.60	COIL SCREW CONNECTOR	1	
23	17H5122	£1.38	DISTRIBUTOR CAP NUT	5	all models
24	214279A	£0.43	WASHER, brass	6	
25	171-540	£2.70	LEAD SEPARATOR	1	
26	GCL101	£14.70	COIL, modern screw type HT connection	1	
	143-210	£54.60	COIL, reproduction of original Q12	1	
27	CRST156	£1.70	DECAL 'LUCAS', coil	1	
28	152-110	£5.60	SPARK PLUG, 1/2" reach	4	TA-TB-TC & TD To (e) 22734
	N5C	£5.60	SPARK PLUG, 3/4" reach	4	TD From (e) 22735, TF
29	433-530	£35.60	LOCK BOLT, distributor	1	TB-TC & TD To (e) 20941

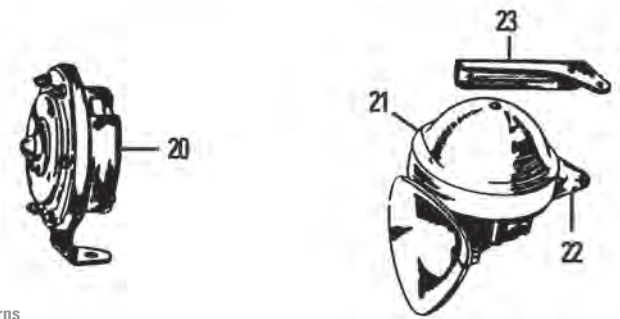




Switches, Fuses & Regulators



Wiper Motor, Arms & Blades



Horns

ill.	Part Number	Price £ea.	Description	Req.	Details
Switches, Fuses & Regulator					
1	141-900	£178.00	REGULATOR, 9 post	1	TC & TD To (c) 8141
2	3H1835	£26.10	REGULATOR, 5 post	1	TD From (c) 8142 & TF
3	1G2613	£21.20	FUSE BLOCK	1	
4	GFS35X	£0.60	FUSE, 35 amp	a/r	
	GFS50X	£0.47	FUSE, 50 amp	a/r	
5	3H1454	£70.60	RELAY, turn signal indicator	1	all models
6	GFU2101	£7.50	FLASHER, turn signal, original	1	screw terminals
	GFU2101	£7.50	FLASHER, turn signal, replacement	1	push-on terminals
9	141-600	£34.80	SWITCH, stop light	1	TA-TB & TC
10	150-700	£6.60	SPRING, stop light switch	1	
11	13H2303	£7.00	SWITCH, stop light, OE type screw	1	TD & TF
	C16062A	£4.85	SWITCH, stop light, alternative Lucar	1	TD & TF
12	BAU1074A	NCA	SWITCH, reverse light	1	optional TD & TF
	BAU1074Z	£9.20	SWITCH, reverse light, aftermarket	1	optional TD & TF
13	11G2007	£33.90	SWITCH, dip, floor-mounted	1	TD From (c) 18883
14	235-885	£43.20	MOUNTING BRACKET, dip switch	1	
15	140-600	£114.70	SWITCH, turn signal**	1	
16	GLB987	£0.66	BULB, turn signal switch	1	TC '1949 EXU' models

**Note: Can be fitted to TA's & TB's.

17	AMK5607	£108.00	SWITCH, turn signal	1	TD & TF
18	11K9308	£4.10	HANDLE, turn signal switch	1	
19	235-887	£8.20	BRACKET, turn signal switch	1	TD

Wiper Motor, Arms & Blades

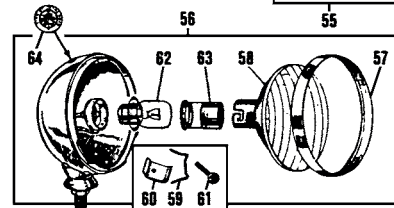
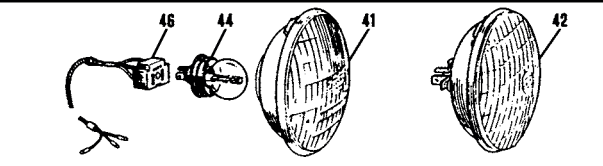
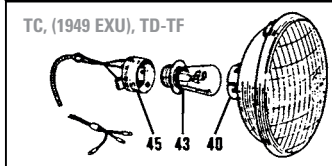
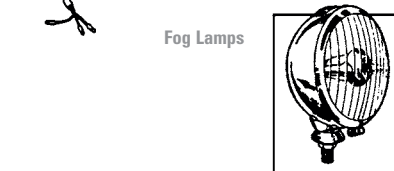
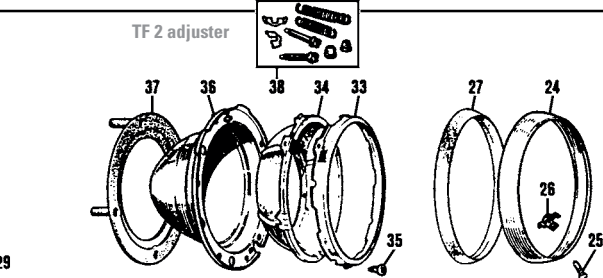
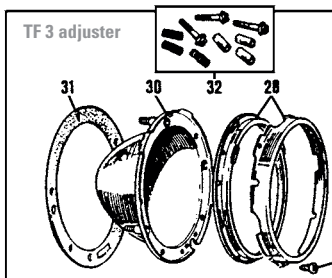
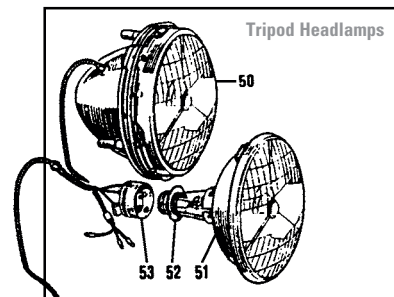
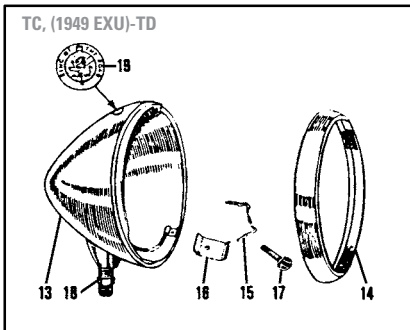
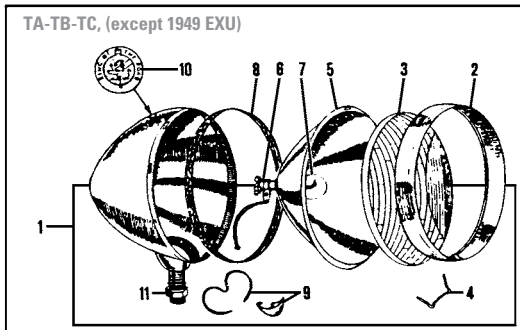
1	145-300	£336.00	WIPER MOTOR, new BRUSH SET COVER, with switch & handle	1	TA-TB-TC & TD
2	145-305	£43.10	MOUNTING KIT (Includes: studs, spacers, end plate, nuts, & washers).	1	

ill.	Part Number	Price £ea.	Description	Req.	Details
3	160-500	£13.40	HANDLE & NUT	1	
4	162-020	£13.40	WIPER WIRE, original type	1	
	280-270	£1.16	GROMMET, wiper wire	1	
5	145-400	NCA	WIPER MOTOR	1	TF
		NCA	MOTOR, without gear head	1	
	17H5431	£6.00	MOUNTING SET, wiper motor	3	
6	451-110	£43.80	CONNECTING BAR, wipers	1	TA-TB-TC & TD To (c) 22314
7	451-140	£20.40	CONNECTING BAR, wipers	1	TD From (c) 23315
8	160-600	£11.30	BEARING, idler	1/2	late TD uses 2
9	160-690	£28.40	WIPER ARM, LH	1	TA-TB-TC & TD
	160-790	£28.40	WIPER ARM, RH	1	TD To (c) 23314
	160-700	£27.70	WIPER ARM, LH	1	TD From (c) 23315
	160-800	£27.70	WIPER ARM, RH	1	
10	161-050	£23.00	WIPER ARM	2	TF
11	160-300	£8.30	WIPER BLADE	2	TA-TB-TC & TD
12	160-400	£1.48	RUBBER RETAINER, wiper blade	2	
13	160-900	£10.90	WIPER BLADE	2	
14		NCA	WHEEL BOX, LH, with switch	1	TF
		NCA	WHEEL BOX, RH	1	
15	160-520	NCA	KNOB, wiper control	2	

Horns

Note: See the Accessories catalogue for further details.

20	165-900	£193.40	HORN, exact repro. of TC original	1	TA-TB & TC
21	1B9008	£38.40	HORN, high note, Lucas replacement, RH	1	TD & TF
	1B9007	£38.40	HORN, low note, Lucas replacement, LH	1	
22	160-200	£23.90	BRACKET, horn mounting, flexible	2	
23	AAA2107	£29.00	BRACKET, horn, on bulkhead, RH	1	TD
	AAA2088	£29.00	BRACKET, horn, on bulkhead, LH	1	



iii. Part Number Price £ea. Description Req. Details

Headlamps & Fog Lamps

Headlamps: TA-TB & TC except 1949 EXU models

1	169-018	NCA	HEADLAMP, 8" diameter	2	later TC type
2	156-410	NCA	RIM, chrome	2	
3	171-120	NCA	GLASS LENS	2	
4	156-500	£1.26	WIRE CLIP, lens to rim	8	
5	171-130	NCA	REFLECTOR UNIT, with socket	2	
6	171-150	£28.80	SOCKET, reflector	2	
7	170-400	£9.00	BULB, original headlamp	2	
8	281-098	£20.10	SEAL SET, 2 rubber seals	1	
9	154-500	£19.30	RETAINER, clip and wire	2	
10	154-910	£15.70	MEDALLION, "King of the Road"	2	
11	146-300	£4.50	NUT, headlamp to bracket	2	

Headlamp Buckets: TC 1949 EXU models & TD

13	143-310	£236.60	BUCKET, chrome with Lucas medallion	2	for 143-310 only
	143-300	£109.25	BUCKET, painted without medallion	2	
14	156-400	£43.50	RIM, chrome	2	
15	156-500	£1.26	WIRE CLIP, light unit to rim	8	
16	156-000	£4.40	CLIP, shell to rim	2	
17	158-000	£2.05	SCREW, clip to shell, chrome	2	
18	146-300	£4.50	NUT, headlamp to bracket	2	
19	154-910	£15.70	MEDALLION, "King of the Road"	2	

Headlamp Buckets: TF

24	142001	£17.40	CHROME RIM, outer	2	all TF models
25	RTC465	£0.60	SCREW, rim retaining	2	
26	37H7421A	£2.10	CLIP, rim retaining	2	
27	3H2962	£4.00	DUST EXCLUDER, rubber	2	
28	17H5205	£26.00	INNER RIM, 2 pieces	2	
29	AB606021	£0.36	SCREW, rim retaining	6	
30	7H6838	£15.90	HEADLAMP BUCKET, 3 adjuster type	2	TF models
31	3H1031	£3.40	SEAL, bucket to body	2	with 3 adjusters
32	17H5394K	£4.25	ADJUSTER KIT (3 screws, 3 springs & 3 sleeves).	2	as originally fitted
33	515218A	£7.00	OUTER MOUNTING RING, chrome	2	TF models with 3 adjusters replacement type
34	SML4	£9.50	INNER MOUNTING RING	2	
35	AB606021	£0.36	SCREW, rim retaining	6	
36	SML3	£15.20	HEADLAMP BUCKET, 2 adjuster type	2	
37	13H565	£3.80	SEAL, bucket to body	2	
38	BHM7058	£4.40	ADJUSTER KIT (2 screws, 2 ferrules, 2 springs & 2 clips).	2	

iii. Part Number Price £ea. Description Req. Details

Headlamp Lenses & Bulbs: TC 1949 EXU models, TD & TF

40	GLU501	£33.40	LIGHT UNIT, BPF lamp, RHD	2	Note: LHD BPF units are not available. Use either item 41 (Part No. 27H4146A) or Tripod lamp units, item 50 (Part No: 506372X).
41	27H4146A	£28.90	LIGHT UNIT, P45T asymmetric, LHD	2	
42	GLU101	NCA	LIGHT UNIT, sealed beam, RHD	2	
	BMK2508	NCA	LIGHT UNIT, sealed beam, LHD	2	
	BMK2508H	£20.10	LIGHT UNIT, sealed beam, halogen, LHD	2	
43	GLB414	£3.80	BULB, BPF, clear, RHD	2	
	GLB415	£7.10	BULB, BPF, clear, LHD	2	
	GLB409X	NCA	BULB, BPF, cadmium yellow, LHD	2	
44	GLB410	£3.05	BULB, P45T, clear	2	
	GLB411	NCA	BULB, P45T, cadmium yellow	2	
	GLB2983	£7.20	BULB, P45T, halogen, clear	2	
45	27H2333	£13.00	ADAPTOR & CABLES	2	BPF units
46	BAU2110	£6.00	ADAPTOR & CABLES	2	P45T & sealed beam units

Tripod Headlamps

50	506370X	£132.00	TRIPOD HEADLAMP (Complete unit with bulb & adaptor).	2	RHD models
51	LU554308	£102.00	LIGHT UNIT	2	
52	GLB414	£3.80	BULB	2	
53	27H2333	£13.00	ADAPTOR & CABLES	2	
50	506372X	£96.00	TRIPOD HEADLAMP (Complete unit with bulb & adaptor).	2	
51	LU555296	£89.10	LIGHT UNIT	2	LHD models
52	GLB415	£7.10	BULB	2	
53	27H2333	£13.00	ADAPTOR & CABLES	2	

Fog Lamps

55	169-020	£522.00	FOG LAMP (Exact reproduction of FT27 assembly).	1	TA-TB & TC To (c)4738
56	169-000	NCA	FOG LAMP (Exact reproduction of Lucas SFT 462).	1	
57	156-420	NCA	RIM, chrome	1	TC From (c)4739
58	171-140	NCA	LIGHT UNIT	1	
59	154-200	NCA	WIRE CLIP, light unit to rim	3	
60	156-000	£4.40	CLIP, shell to rim	1	
61	323-090	£0.90	SCREW, clip to shell, chrome	1	
62	GLB382	£0.48	BULB	1	
63	171-410	NCA	BULB SHIELD	1	
64	154-920	£11.30	MEDALLION, "King of the Road"	1	

ill. Part Number Price Eea. Description Req. Details

Side Lamp: all models

1	143-400	£162.90	SIDE LAMP, 'King of the Road' medallion	2	
2	281-068	£4.85	PAD SET, lamp to wing	1	2 pads
3	157-600	£42.30	BULB HOLDER, double contact, parallel	2	included with side lamp
	157-601	£31.40	BULB HOLDER, double contact, offset	2	not incl. with side lamp
	157-590	NCA	BULB HOLDER, single contact	2	not incl. with side lamp
4	170-900	£2.75	BULB, double contact, parallel	2	included with side lamp
	GLB380	£0.48	BULB, double contact, offset	2	not incl. with side lamp
	GLB207	£0.84	BULB, single contact	2	not incl. with side lamp
5	146-100	£3.60	SCREW, lens retaining	2	chrome
6	281-088	£2.60	RING SET, lens sealing	1	2 rubber rings
7	157-750	£23.40	LENS, glass	2	with chrome rim
8	154-900	£5.30	MEDAL, red plastic	2	'King of the Road'

Rear Turn Signal Lamp

TC - 1949 USA Export Models Only

10	143-975	£238.20	REAR TURN SIGNAL LAMP	2	
11	143-985	NCA	BRACKET, rear turn signal	2	

Number Plate Lamp

TC - 1949 USA Export Models Only, TD & TF

12	127916	£26.40	NUMBER PLATE LAMP, chrome	1	
	127916Z	£14.70	NUMBER PLATE LAMP, plastic	1	
13	502264	£12.10	COVER	1	
14	17H5385	£2.20	SCREW, cover	1	
15	601721A	£5.60	LENS, glass	1	
16	GLB989	£0.90	BULB	1/2	
17	57H5368	£3.90	SEAL, rubber	1	

Tail Lamp Assembly

TA To (c)1789

20	143-890	£86.00	TAIL LAMP, round	2	
21	GLB207	£0.84	BULB, original tail lamp	4	

TA From (c)1790, TB & TC

24	143-900	£88.40	TAIL LAMP	2	chrome, original "D" lamp
25	154-600	£14.80	LENS, split "D", red	2	
26	143-920	£12.90	SIDE LENS, clear	2	
27	143-930	£3.80	GASKET, side lens	2	
28	143-940	£3.10	GASKET, split "D" lens	2	
29	GLB380	£0.48	BULB, replacement tail lamp	2	
	GLB207	£0.84	BULB, original tail lamp	4	

Note: See 'Body Panels & Fittings - Chassis Frame' for mounting plates.

TD, Up To (c)21302

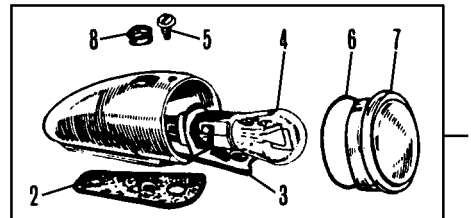
30	157-908	£79.90	TAIL LAMP	2	
31	501934X	£15.50	GLASS LENS, tail lamp	2	
32	157-920	£16.00	RIM, chrome	2	
33	157-800	£7.00	SCREW, rim to wing, chrome	4	
34	GLB380	£0.48	BULB	2	
35	158-310	£37.70	SOCKET & PLATE	2	
36	280-510	£11.60	BODY	2	

TD, From (c)21303, TF

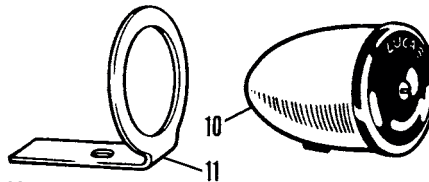
38	3H1814	£22.20	TAIL LAMP	2	
39	7H5182	£2.40	RIM, chrome	2	
40	7H5183	£8.00	LENS, glass	2	
41	GLB380	£0.48	BULB	2	
42	17H5426	£14.10	SOCKET	2	
43	37H5481	£3.50	BODY	2	
44	406-900	£36.50	ADAPTOR, lamp to wing, chrome	2	
	PMZ308	£0.30	SCREW, adaptor fixing	6	
45	281-338	£6.60	PAD SET, adaptor to wing	1	includes 2 pads

Reflector, TD & TF

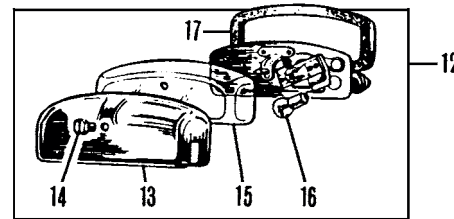
46	144-700	£19.10	REFLECTOR	2	late TD MkII
47	144-600	£18.90	REFLECTOR	2	TF



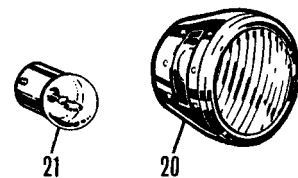
Side Lamp: All Models



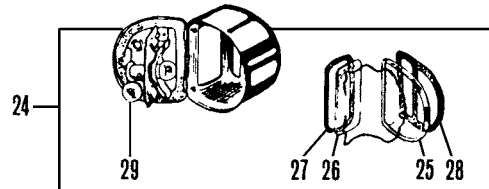
Rear Turn Signal Lamp



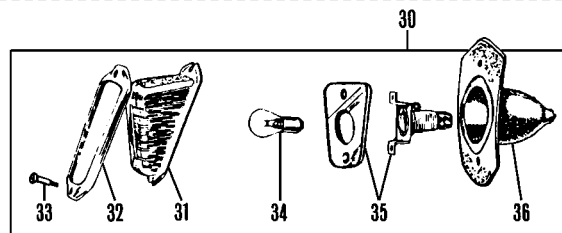
Number Plate Lamp



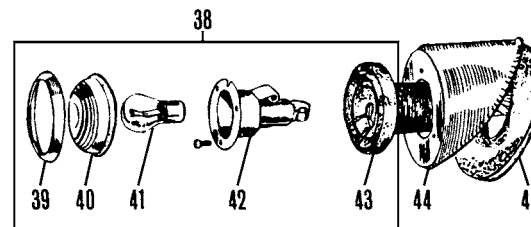
Tail Lamp Assembly, TA To (c) 1789



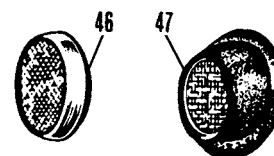
Tail Lamp Assembly, TA From (c) 1790, TB-TC



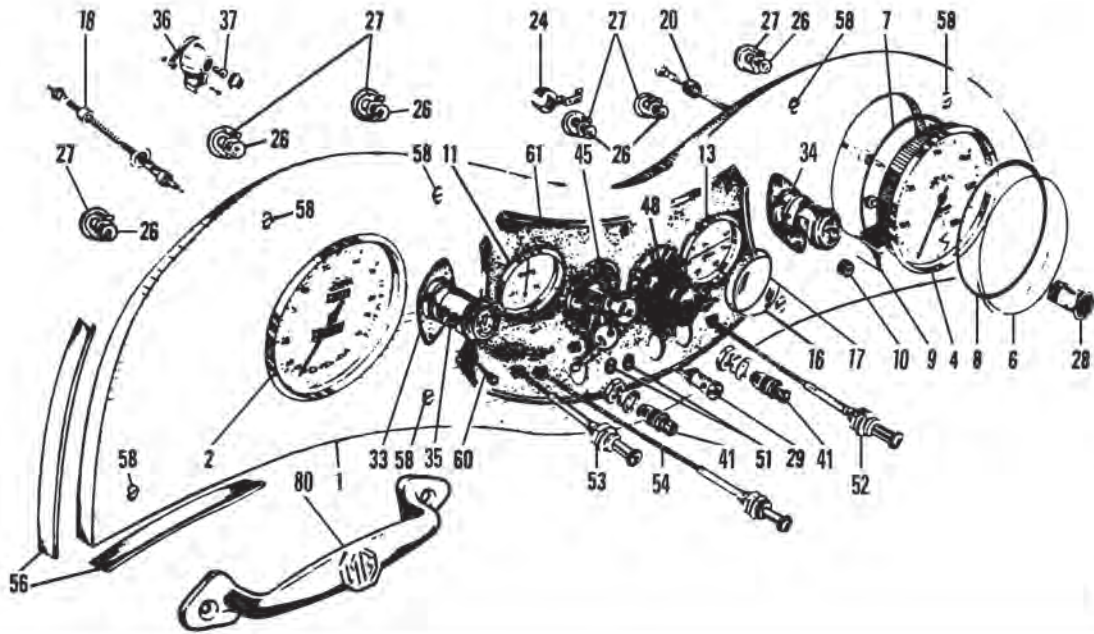
Tail Lamp Assembly, TD To (c) 21302



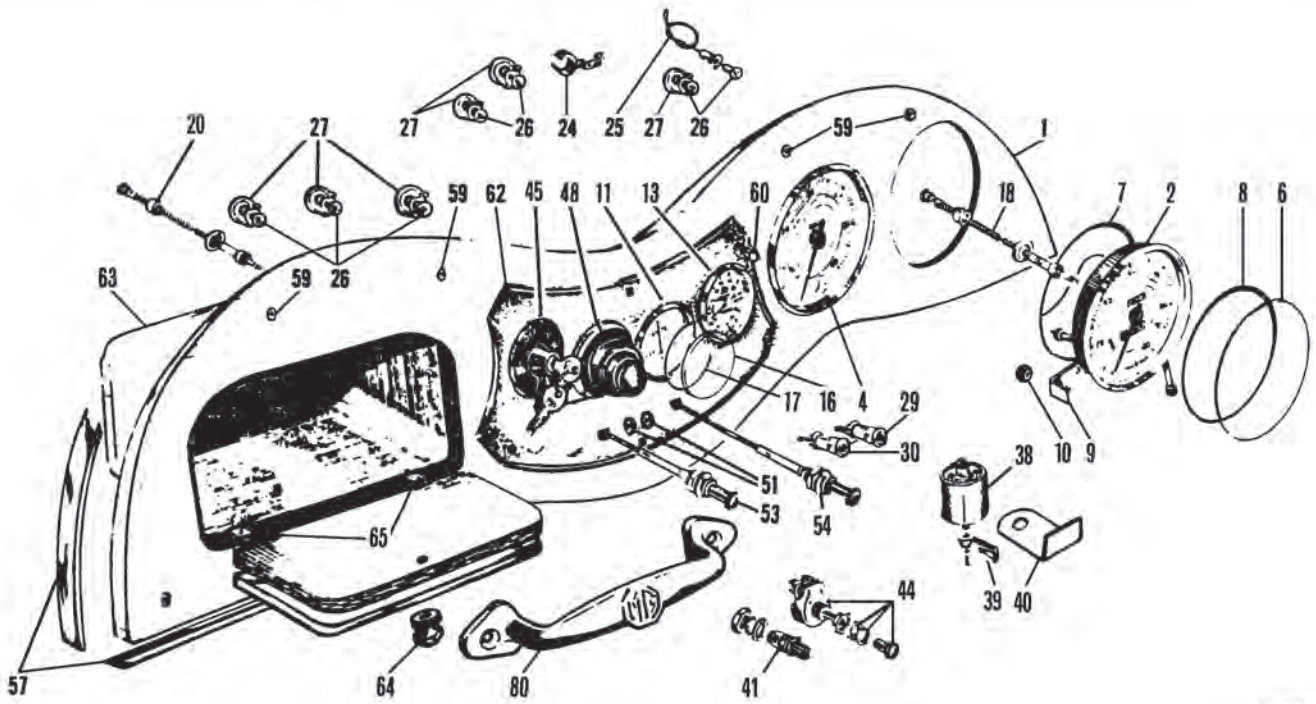
Tail Lamp Assembly, TD From (c) 21303, TF



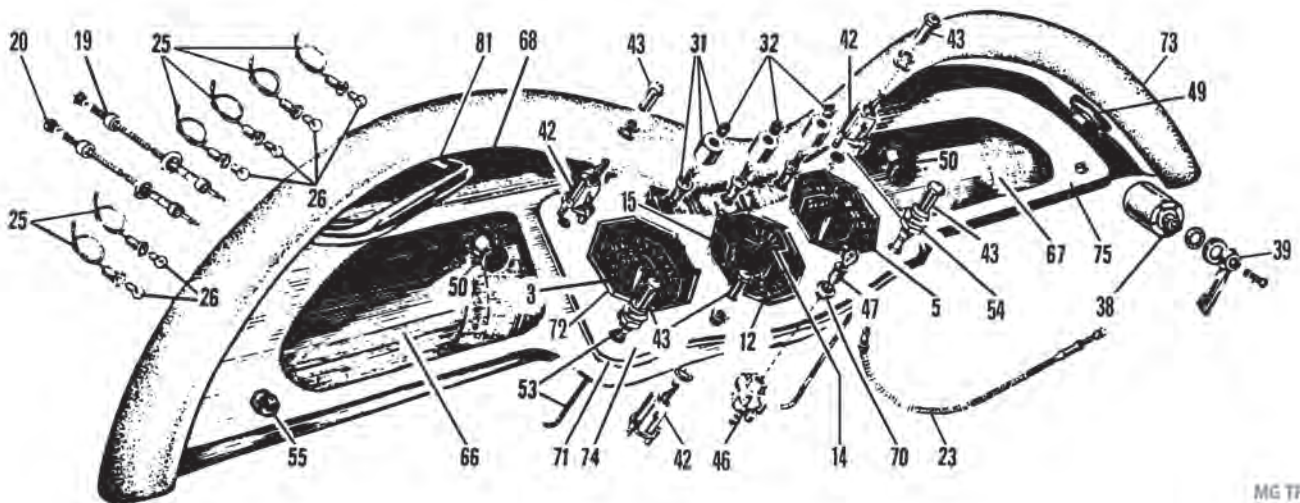
Reflector, TD & TF



MG TA, TB, TC



MG TD



MG TF

ill. Part Number Price £ea. Description Req. Details

Dashboard, Switches, Instruments & Cables

Dashboards, TA-TB-TC & TD

We offer dashboards both in a finished veneer or a plain plywood. TA's-TB's & TC's to approximately (c)5000 were originally fitted with the finished veneered dashboards. TC's from approximately (c) 5000 and all TD's were fitted with the plain plywood.

1	456-885	NCA	DASHBOARD, finished veneer	1	TA & TB
	456-895	£150.90	DASHBOARD, plywood	1	
	233-635	£241.80	DASHBOARD, finished veneer	1	TC
	456-890	£150.90	DASHBOARD, plywood	1	
	233-530	£314.26	DASHBOARD, finished walnut veneer	1	TD RHD
	233-570	£167.00	DASHBOARD, plywood	1	
	233-645	£258.60	DASHBOARD, finished walnut veneer	1	TD LHD
	233-510	£164.30	DASHBOARD, plywood	1	

Instruments & Cables

Our 'replica' speedometers & tachometers, while not quite original enough to call 'reproduction', are excellent replacements for the completely obsolete TC and early TD flat-faced instruments. They can also be used to replace the obsolete dish-faced TD instruments if required. We no longer offer rebuilding service on speedometers, tachometers or clocks.

2	360-460	£213.70	REPLICA SPEEDOMETER	1	TC & TD To (c) 10778
		NCA	SPEEDOMETER, repro. of original	1	TD From (c) 10779
3		NCA	SPEEDOMETER, repro. of original	1	TF
		NCA	METAL FACE SET, tacho & speedo	1	TC & TD To (c) 10778
4	360-470	£234.40	REPLICA TACHOMETER	1	
		NCA	TACHOMETER, repro. of original	1	TD From (c) 10779
5		NCA	TACHOMETER, repro. of original	1	TF
6	502268	£13.90	GLASS, tacho & speedo	2	TA-TB-TC & TD
	AJHS177	£8.40	GLASS, instrument cluster	3	TF
7	280-860	£2.80	'O' RING, tacho & speedo to dash	2	TA-TB-TC & TD
8		NCA	'O' RING, lens to tacho & speedo	2	
9	361-030	£14.00	BRACKET, tacho & speedo	2	TA-TB-TC & TD To (c) 10778
10	MM361-020	£3.60	NUT, brass, bracket to tacho & speedo	4	TA-TB-TC & TD
11	360-500	£250.00	AMMETER, -20-20+, reproduction	1	TA-TB-TC & TD To (c) 10778
	360-510	£250.00	AMMETER, -30-30+, reproduction	1	TD From (c) 10779
12	360-520	NCA	AMMETER	1	TF
13	360-490	£235.60	GAUGE, oil pressure	1	TA-TB-TC & TD To (c) 13913
	360-070	£328.20	GAUGE, oil pressure/water temp	1	TD From (c) 13914
14	360-250	NCA	GAUGE, oil pressure	1	TF
	360-100	£336.60	GAUGE, water temperature	1	TA-TB-TC & TD, option
15	360-160	NCA	GAUGE, water temperature	1	TF
	360-130	£304.80	GAUGE, oil temperature	1	TA-TB-TC & TD, option
16	502269	£17.00	GLASS, 2" gauge	a/r	
17		NCA	'O' RING, lens to 2" gauge	a/r	TA-TB-TC & TD
	17H1642	£0.66	'O' RING, 2" gauge to dash	a/r	
18	331-135	£61.20	CABLE, speedometer, original (Push-on speedometer end).	1	TA-TB, 5' 8"
	331-140	£52.00	CABLE, speedometer, original	1	TC & TD RHD, 5' 8"
	331-150	£49.30	CABLE, speedometer, original	1	TD LHD, 6'6"
19	331-140	£52.00	CABLE, speedometer, original	1	TF
20	331-035	£66.40	CABLE, tachometer, 48" (Push-on both ends).	1	TA & TB
	331-045	£66.40	CABLE, tachometer, 48" (Push-on tacho & screw-on dynamo).	1	TA & TB
	MM331-170	£49.10	CABLE, tachometer, original	1	TC-TD & TF RHD

*Note: The TC reduction gearbox can be fitted to TA's & TB's if a push-on tachometer end & screw-on dynamo end tachometer cable is used.

	331-056	£49.10	CABLE, tachometer, original	1	TD & TF LHD
23			CABLE, trip reset, replacement	1	TF
24	361-070	£5.40	BRACKET, dash lamp mounting	4	TA-TB-TC & TD To (c) 10778
25	161-918	£12.30	SOCKET & BULB	1/6	late TD & TF, late TD uses 1
26	GLB987	£0.66	BULB, dash, screw base	a/r	
27	070066	£9.30	SOCKET, dash bulb, original gauge	6	TA-TB-TC & TD
28	142-600	£153.90	LAMP, fuel warning	1	TC
29	2H2838	£41.60	LAMP, ignition warning, red	1	TA-TB-TC & TD
30	142-210	£36.00	LAMP, fuel warning, green	1/2	TD, late TD uses 2
31	37H5182	£29.20	LAMP, warning, with 3 lenses	3	
32	151-400	£4.80	LENS, red	1	TF
	AJG5046	£4.80	LENS, green	1	
	151-600	£4.80	LENS, blue	1	
33	144-500	£100.30	MAP LIGHT	1	
34	PWT1484	£108.85	COVER, 30mph warning lamp	1	TA-TB & TC
35	GLB207	£0.84	BULB, map light	2	

ill. Part Number Price £ea. Description Req. Details

Switches & Miscellaneous Trim

36	140-600	£114.70	SWITCH, turn signal**	1	TC 1949 EXU models
37	GLB987	£0.66	BULB, turn signal switch**	1	

**Note: Can be fitted to TA's & TB's.

38	AMK5607	£108.00	SWITCH, turn signal	1	TD & TF
39	11K9308	£4.10	HANDLE, turn signal switch	1	
40	235-887	£8.20	BRACKET, signal switch mounting	1	TD
41	141-000	£63.90	SWITCH, fog light, panel	1/2	TA-TB-TC & TD
42	3H3098	£27.50	SWITCH, light, panel & accessories	3	TF
43	150-908	£21.60	DASH KNOB SET, lettered, original style1	1	
44	145-900	£78.00	SWITCH, panel light rheostat, with knob1	1	
	145-907	£10.40	KNOB, push-on type	1	TD from (c) 10701
	145-905	NCA	KNOB, screw type	1	
	500513S	NCA	SCREW, for part no. 145-905	1	
45	141-510	£242.30	SWITCH, ignition/headlamp, with 2 keys1	1	TA-TB-TC & TD
46	141-010	NCA	SWITCH BODY, ignition	1	TF
47	24G1345	£9.00	BARREL & KEY, ignition	1	
	24G1345Z	£8.20	BARREL & KEY, ignition, aftermarket	1	
48	140-700	£111.90	SWITCH, horn/dip, reproduction	1	TA-TB-TC & TD to (c) 18882
	140-808	NCA	BUTTON, horn push	1	TD from (c) 18883
	233-950	£11.10	CHROME WASHER SET (Behind horn push).	1	TA-TB-TC & TD
49	2H3383	£13.30	BUTTON, horn push	1	TF
50	160-520	NCA	KNOB, wiper control	2	
51	NBEL147	£75.40	SOCKET SET, accessory plug	1	TA-TB-TC & TD
	NBEL148	£19.60	PLUG, optional accessory	1	
52	MM331-390	£65.70	SLOW RUNNING CABLE, original	1	TA-TB & TC
53	331-370	£85.40	STARTER CABLE, original	1	TA-TB & TC
	331-280	£43.20	STARTER CABLE, original	1	TD
	331-400	£43.20	STARTER CABLE, original	1	TF

Note: You may need to cut the cable to length to fit.

54	331-380	£70.70	CHOKE CABLE, original	1	TA-TB & TC
	331-290	£48.80	CHOKE CABLE, original	1	TD
	331-410	£50.20	CHOKE CABLE, original	1	TF
55	408-400	£45.90	MEDALLION, dash	1	TF
56	454-100	£126.70	BEAD SET, dash	1	TA-TB & TC
57	454-110	£111.50	BEAD SET, dash and glove box	1	TD
58	323-838	£16.10	SCREW & WASHER SET, dash	1	TA-TB & TC, 8 of each
59	323-848	£13.30	SCREW & WASHER SET, dash	1	TD, 8 of each
60	321-478	£14.10	BOLT & NUT SET, instrument panel	1	TA-TB-TC & TD, 6 of each
61	408-860	£258.30	PANEL, instrument cluster, black	1	TA-TB & TC
	408-865	£256.06	PANEL, instrument cluster, bronze	1	late TC
62	408-870	£272.00	PANEL, instrument cluster	1	
63	454-155	£42.80	GLOVE BOX	1	TD
64	408-190	£3.80	KNOB, glove box door	1	
65	406-910	£6.80	HINGE, glove box door	2	
66	454-350	£53.00	GLOVE BOX, LH	1	
67	454-360	£53.00	GLOVE BOX, RH	1	
68	456-105	NCA	GLOVE BOX, top, LH	1	
	456-125	NCA	GLOVE BOX, top, RH	1	
	456-106	£30.90	GLOVE BOX, top, LH & RH	1	TF
	456-085	£10.90	CORNER PANEL, rear cockpit, LH	1	
	456-075	£10.90	CORNER PANEL, rear cockpit, RH	1	
	456-095	£10.00	STARTING HANDLE COVER	1	
	451-765	£107.70	UNDER DASH SHIELD KIT***	1	TA & TB
	451-785	£107.70	UNDER DASH SHIELD KIT***	1	TC
	451-795	£107.70	UNDER DASH SHIELD KIT***	1	TD
	451-800	£70.80	UNDER DASH SHIELD	1	TF
	451-775	£86.30	UNDER DASH SHIELD H-FRAME	1	

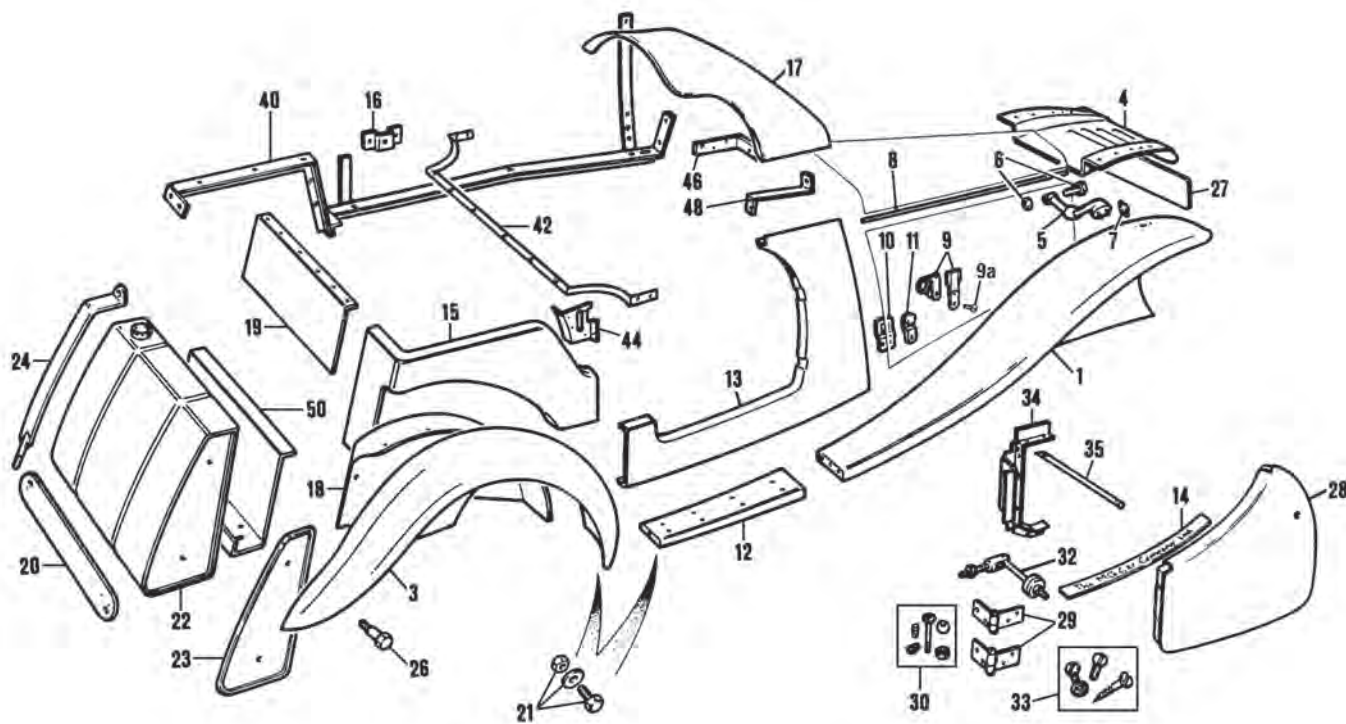
***Note: Kits include all brackets, hardware, vinyl covering, board and instructions.

70	408-215	£27.90	BEZEL, ignition switch	1	
71	408-195	NCA	TRIM, cluster panel	1	
72	408-205	NCA	BEZEL, octagonal, for instruments	3	TF
73	280-595	£95.40	COWL RUBBER, uncovered	1	
74	408-895	£301.50	CLUSTER PANEL	1	
75	456-905	£430.60	DASH PANEL, steel	1	
80	229-101	£28.36	GRAB HANDLE, with MG motif	1	TA-TB-TC & TD
81	229-220	£93.20	GRAB HANDLE, curved	1	TF

Decals

Use these decals to replace, or restore the original items that were originally painted and directly silk screened.

	215-100	£21.10	INSTRUMENT DECAL SET	1	TA-TB & TC TD To (c)10751
--	---------	--------	----------------------	---	------------------------------



ill.	Part Number	Price £ea.	Description	Req.	Details
Body Panels, TA & TB					
1	456-510	£1,666.00	FRONT WING, RH	1	
	456-500	£1,666.00	FRONT WING, LH	1	
NI	236-210	£163.70	WING COVER SET, pair	2	TA-TC
(These very practical black padded vinyl wing covers are specially tailored to fit your model. Protect that expensive finish from wayward spanners and greasy hands. Both left and right covers are supplied in the set).					
3	450-000	£860.40	REAR WING, RH	1	TA To (c) 1090
	450-005	£860.40	REAR WING, LH	1	TA To (c) 1090
	456-610	£1,146.00	REAR WING, RH	1	TA From (c) 1091 & TB
	456-600	£1,146.00	REAR WING, LH	1	
	323-838	£16.10	SCREW & WASHER SET	1	
4	457-100	£364.00	SPLASH APRON, front	1	
	624818	£2.90	SCREW, chrome headed, long	4	
	624817	£3.00	SCREW, chrome headed, short	4	
	324-455	£0.77	WASHER, chrome	4	
5	407-390	£151.10	BRACKET, headlamp, RH	1	
	407-380	£151.10	BRACKET, headlamp, LH	1	
6	321-288	£16.00	BOLT & NUT SET, headlamp bracket	2	1 of each
7	328-175	£5.50	STUD, headlamp bracket	4	
8	453-280	£18.00	ROD, brass, side panel attaching	2	
9	406-855	£34.20	BONNET LATCH, RH	2	cadmium plated
	406-860	£34.20	BONNET LATCH, LH	2	
9a	158-018	£7.20	SCREW, bonnet latch	a/r	
10	406-810	£30.20	BRACKET, bonnet latch, on wing	4	
11	406-828	£29.40	BUFFER PLATE SET, bonnet	1	4 buffers & plates
12	450-010	£137.00	RUNNING BOARD, RH	1	
	450-015	£137.00	RUNNING BOARD, LH	1	
13	457-215	£229.30	FRONT QUARTER PANEL, RH	1	
	457-225	£229.30	FRONT QUARTER PANEL, LH	1	
14	451-398	£48.20	THRESHOLD PLATE SET, pair	1	
(2 plates etched with 'The MG Car Company Ltd').					
15	450-020	NCA	REAR QUARTER PANEL, RH	1	TA To (c) 1090
	450-025	NCA	REAR QUARTER PANEL, RH	1	TA From (c) 1091 & TB
	450-030	NCA	REAR QUARTER PANEL, LH	1	TA To (c) 1090
	450-035	NCA	REAR QUARTER PANEL, LH	1	TA From (c) 1091 & TB
16	450-040	£10.00	BRACKET, rear side screen	2	
17	446-010	£532.80	SCUTTLE TOP	1	
18	457-210	£176.70	WHEEL ARCH, RH	1	
	457-200	£176.70	WHEEL ARCH, LH	1	
19	457-175	£45.40	REAR PANEL	1	between rear quarter panels
20	450-045	£46.30	BLANK PLATE, round lamps	1	TA To (c) 1789
	451-725	£54.30	BLANK PLATE, 'D' lamps	1	TA From (c) 1790 & TB
21	321-778	£36.00	BOLT & NUT SET	1	wing/running boards to body
	320-360	£1.10	SCREW 5/16 BSF x 3/4"	4	
	AJD8105Z	£0.30	NUT 5/16 BSF	8	
	AJD6308Z	£1.80	BOLT 3/8 BSF x 1"	4	
	AJD8106Z	£0.47	FULL NUT 3/8 BSF	4	Sub-components of kit
	AJD6124Z	£4.30	BOLT 1/4 BSF x 3"	4	part no. 321-778

ill.	Part Number	Price £ea.	Description	Req.	Details
	AJD8104	£0.53	FULL NUT 1/4 BSF	6	
	320-380	£1.39	BOLT 5/16 BSF x 1 1/4"	4	
22	456-760	£587.00	FUEL TANK, 36 5/8" wide	1	TA To (c) 1090
	456-765	£587.00	FUEL TANK, 31 5/8" wide	1	TA From (c) 1091 & TB
23	451-638	£175.50	END PANEL SET, fuel tank	1	2 chrome end panels
24	451-600	£30.30	STRAP, fuel tank, primed	2	
	450-055	£49.10	STRAP, fuel tank, chromed	2	optional
26	320-840	£19.00	BOLT, wing to fuel tank	2	
27	451-715	£18.00	NUMBER PLATE, blank, front	1	
28	446-015	£1,259.40	DOOR ASSEMBLY, blank, front	1] panelled
	446-020	£1,259.40	DOOR ASSEMBLY, LH	1	
29	401-858	£318.40	DOOR HINGE SET	1	4 hinges & mtg. hardware
30	401-878	£44.10	PIVOT BOLT SET, door hinge	1	complete set with balls
32	405-500	£21.50	DOOR CHECK	2	
33	323-868	£89.60	SCREW SET	1	for hinges, locks, strikers
34	450-060	£29.60	STRENGTHENER, door hinge, RH	1	
	450-065	£29.60	STRENGTHENER, door hinge, LH	1	
35	450-780	£7.90	DOOR TWIST STRIP	2	

Body Tub Steelwork, TA & TB

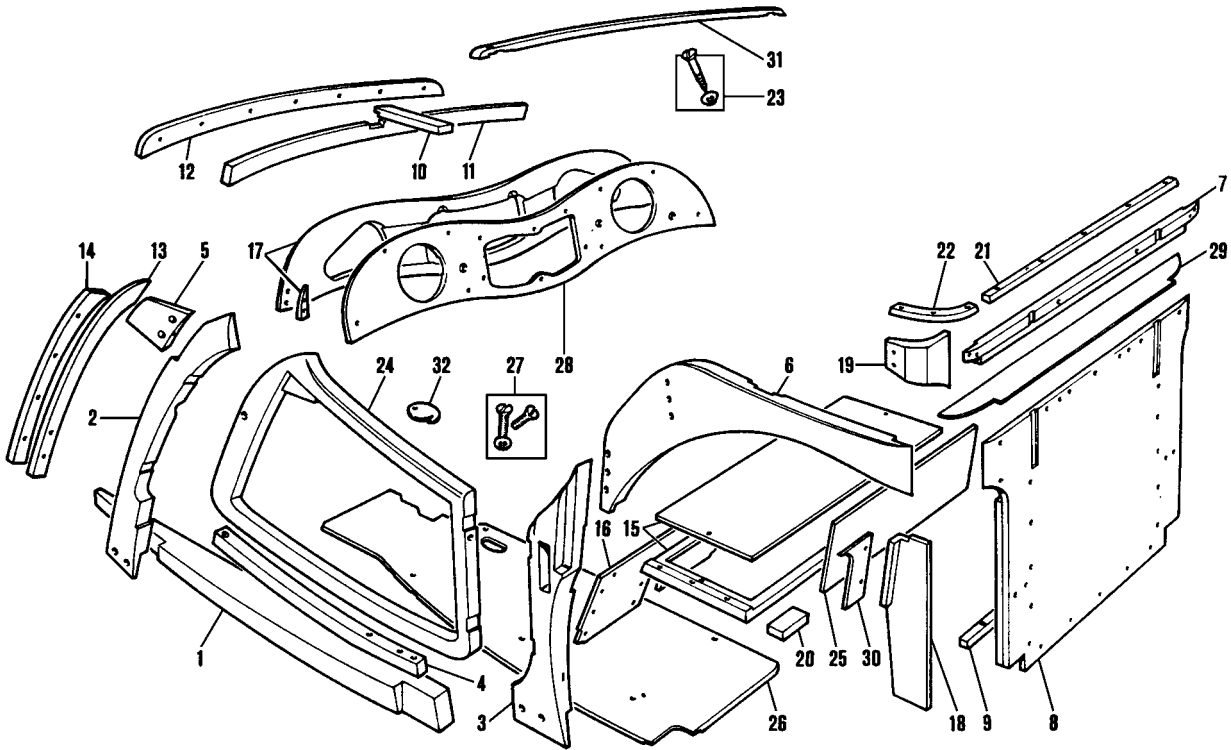
40	450-075	NCA	FRAME, body/chassis, LH	1	TA To (c) 1090
	450-080	£522.10	FRAME, body/chassis, RH	1	TA From (c) 1091 & TB
	450-085	NCA	FRAME, body/chassis, LH	1	TA To (c) 1090
	450-090	£522.10	FRAME, body/chassis, RH	1	TA From (c) 1091 & TB
42	450-095	NCA	STRENGTHENER, rear body	1	TA To (c) 1090
	450-100	£95.40	STRENGTHENER, rear body	1	TA From (c) 1091 & TB
44	450-105	£49.60	BRACKET, rear door pillar, LH	1	
	450-110	NCA	BRACKET, rear door pillar, RH	1	
46	450-115	£29.60	BRACKET, scuttle side, LH	1	
	450-120	£29.60	BRACKET, scuttle side, RH	1	
48	450-125	NCA	BRACKET, scuttle top, LH	1	
	450-130	NCA	BRACKET, scuttle top, RH	1	
50	456-840	£64.60	SIDE CURTAIN COMPARTMENT	1	front section only

Body Tubs - TA To (c)1090

450-135	£11,677.40	BODY TUB	1] panelled with doors & scuttle top
450-140	NCA	BODY TUB	1	
450-145	£5,381.50	BODY TUB	1] panelled without doors & scuttle top
			1	assembled but un-panelled

Body Tubs - TA From (c)1091 & TB

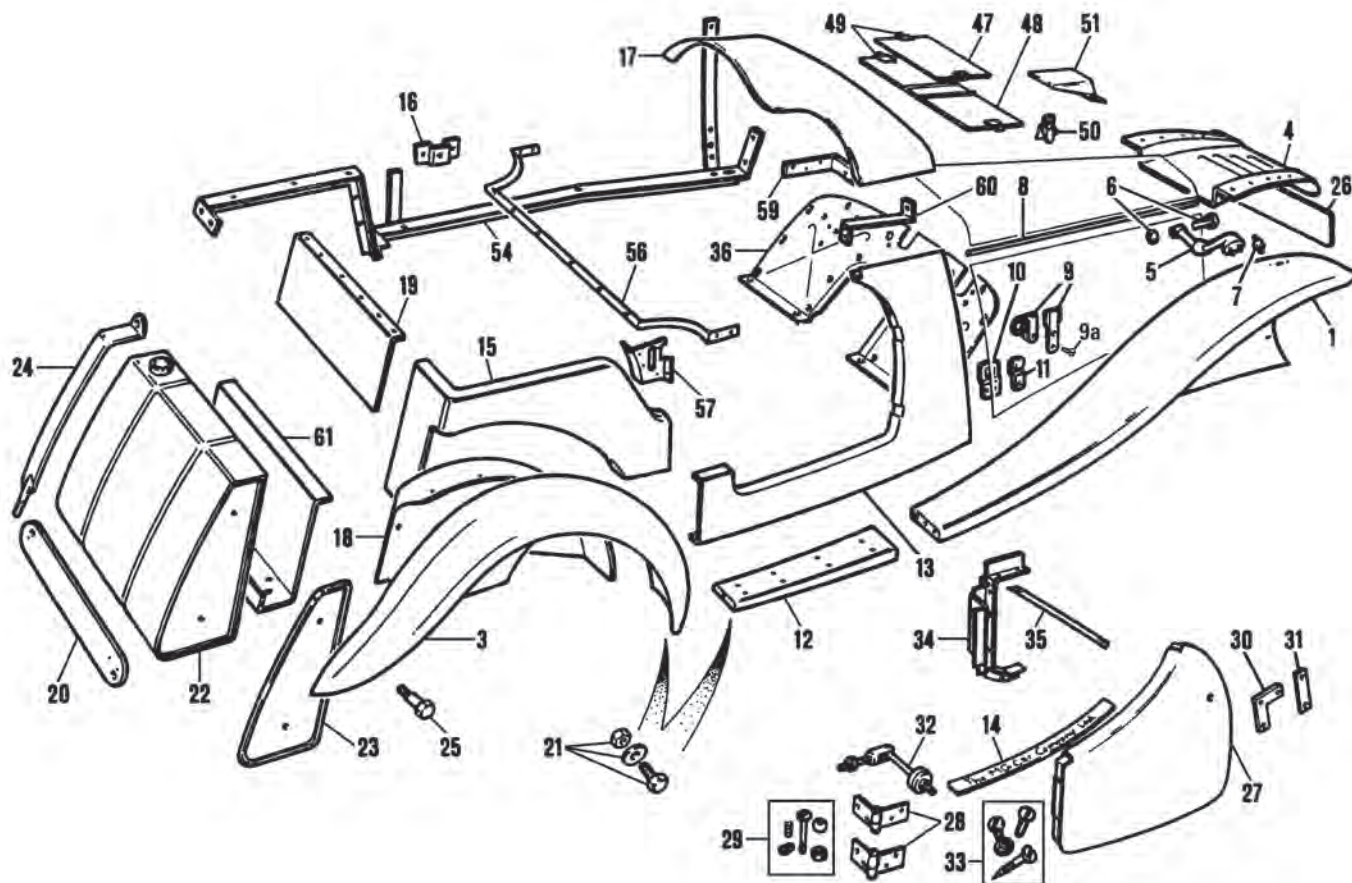
450-150	£11,677.40	BODY TUB	1] panelled with doors and scuttle top
450-155	NCA	BODY TUB	1	
450-160	NCA	BODY TUB	1] panelled without doors and scuttle top
			1	assembled but un-panelled



ill.	Part Number	Price £ea.	Description	Req.	Details
Timber Components, TA & TB					
	449-550	£3,150.00	TIMBER SET (Inc. all timbers to build body frame).	1	TA To (c) 1090
	449-555	£3,150.00	TIMBER SET (Inc. all timbers to build body frame).	1	TA From (c) 1091 & TB
1	450-165	£135.80	BOTTOM MAIN RAIL, LH*	1	
	450-170	£135.80	BOTTOM MAIN RAIL, RH*	1	
2	450-175	£161.60	FRONT BODY PILLAR, LH*	1	
	450-180	£161.60	FRONT BODY PILLAR, RH*	1	
3	450-185	£215.50	REAR BODY PILLAR, LH*	1	
	450-190	£215.50	REAR BODY PILLAR, RH*	1	
4	450-195	£73.80	UNDER DOOR RAIL, LH*	1	
	450-200	£73.80	UNDER DOOR RAIL, RH*	1	
5	450-560	£35.60	FRONT BODY PILLAR, 'X Piece**	1	LH
	450-565	£35.60	FRONT BODY PILLAR, 'X Piece**	1	RH
6	450-215	£280.00	REAR WHEEL ARCH, LH*	1	2 piece
	450-220	£280.00	REAR WHEEL ARCH, RH*	1	
7	450-225	£140.00	REAR TOP RAIL*	1	
8	450-230	£280.00	REAR CENTRE PANEL*	1	TA To (c) 1090
	450-235	£280.00	REAR CENTRE PANEL*	1	TA From (c) 1091 & TB
9	450-240	£37.80	REAR BOTTOM RAIL*	1	
10	450-245	£30.20	CROSS PIECE, dash to bulkhead*	1	
11	450-250	£50.70	FRONT TOP RAIL, inner*	1	
12	450-255	£75.40	FRONT TOP RAIL, outer*	1	
13	450-260	£36.60	FRONT SIDE RAIL, inner, LH*	1	
	450-265	£36.60	FRONT SIDE RAIL, inner, RH*	1	
14	450-270	£36.60	FRONT SIDE RAIL, outer, LH*	1	
	450-275	£36.60	FRONT SIDE RAIL, outer, RH*	1	
15	450-280	£215.50	PANEL ASSEMBLY, above rear axle*	1	TA To (c) 1090
	450-285	£215.50	PANEL ASSEMBLY, above rear axle*	1	TA From (c) 1091 & TB
16	450-290	£100.20	REAR PROPSHAFT COVER*	1	TA To (c) 1090
	450-635	£97.00	REAR PROPSHAFT COVER*	1	TA From (c) 1091 & TB
17	450-300	£280.00	INNER DASHBOARD PANEL*	1	
18	450-305	£27.10	SIDE OF SIDE SCREEN BOX, LH*	1	
	450-310	£27.10	SIDE OF SIDE SCREEN BOX, RH*	1	
19	450-315	£88.30	REAR ANGLED CORNER PIECE, LH*	1	TA To (c) 1090
	450-320	£88.30	REAR ANGLED CORNER PIECE, LH*	1	TA From (c) 1091 & TB
	450-325	£88.30	REAR ANGLED CORNER PIECE, RH*	1	TA To (c) 1090
	450-330	£88.30	REAR ANGLED CORNER PIECE, RH*	1	TA From (c) 1091 & TB
20	450-335	£23.70	REAR FILLET, LH*	1	TA To (c) 1090
	450-340	£9.20	REAR FILLET, LH*	1	TA From (c) 1091 & TB
	450-345	£23.70	REAR FILLET, RH*	1	TA To (c) 1090
	450-350	£9.20	REAR FILLET, RH*	1	TA From (c) 1091 & TB

ill.	Part Number	Price £ea.	Description	Req.	Details
21	450-355	£35.60	RAIL, rear top finisher	1	
22	450-360	£34.70	RAIL, rear corner finisher, LH	1	
	450-365	£34.70	RAIL, rear corner finisher, RH	1	
23	323-858	£12.00	SCREW SET, hood tacking strips	1	
24	450-370	£592.00	DOOR FRAME ASSEMBLY, LH	1	
	450-375	£592.00	DOOR FRAME ASSEMBLY, RH	1	
25	450-380	£32.40	SIDE SCREEN BOX DOOR	1	
26	450-390	£164.70	FLOORBOARD, LH	1	TA To (c) 1090
	450-395	£164.70	FLOORBOARD, LH	1	TA From (c) 1091 & TB
	450-400	£164.70	FLOORBOARD, RH	1	TA To (c) 1090
	450-405	£164.70	FLOORBOARD, RH	1	TA From (c) 1091 & TB
27	323-818	£39.20	SCREW & WASHER SET	1	floorboards, complete
28	456-885	N/A	DASHBOARD FASCIA, finished veneer	1	alternatives
	456-895	£150.90	DASHBOARD FASCIA, plain	1	
29	450-415	£49.60	SIDE SCREEN BOX TOP SHELF	1	TA To (c) 1090
	450-420	£49.60	SIDE SCREEN BOX TOP SHELF	1	TA From (c) 1091 & TB
30	450-425	£18.40	FINISHER PIECE, side screen box, LH	1	TA To (c) 1090
	450-430	£17.30	FINISHER PIECE, side screen box, LH	1	TA From (c) 1091 & TB
	450-435	£18.40	FINISHER PIECE, side screen box, RH	1	TA To (c) 1090
	450-440	£17.30	FINISHER PIECE, side screen box, RH	1	TA From (c) 1091 & TB
31	453-230	£97.80	TOP RAIL, wood, over windscreen	1	
32	407-800	£20.80	COVER, master cylinder inspection	1	

*Note: All items are included in the relevant TA-TB timber set.

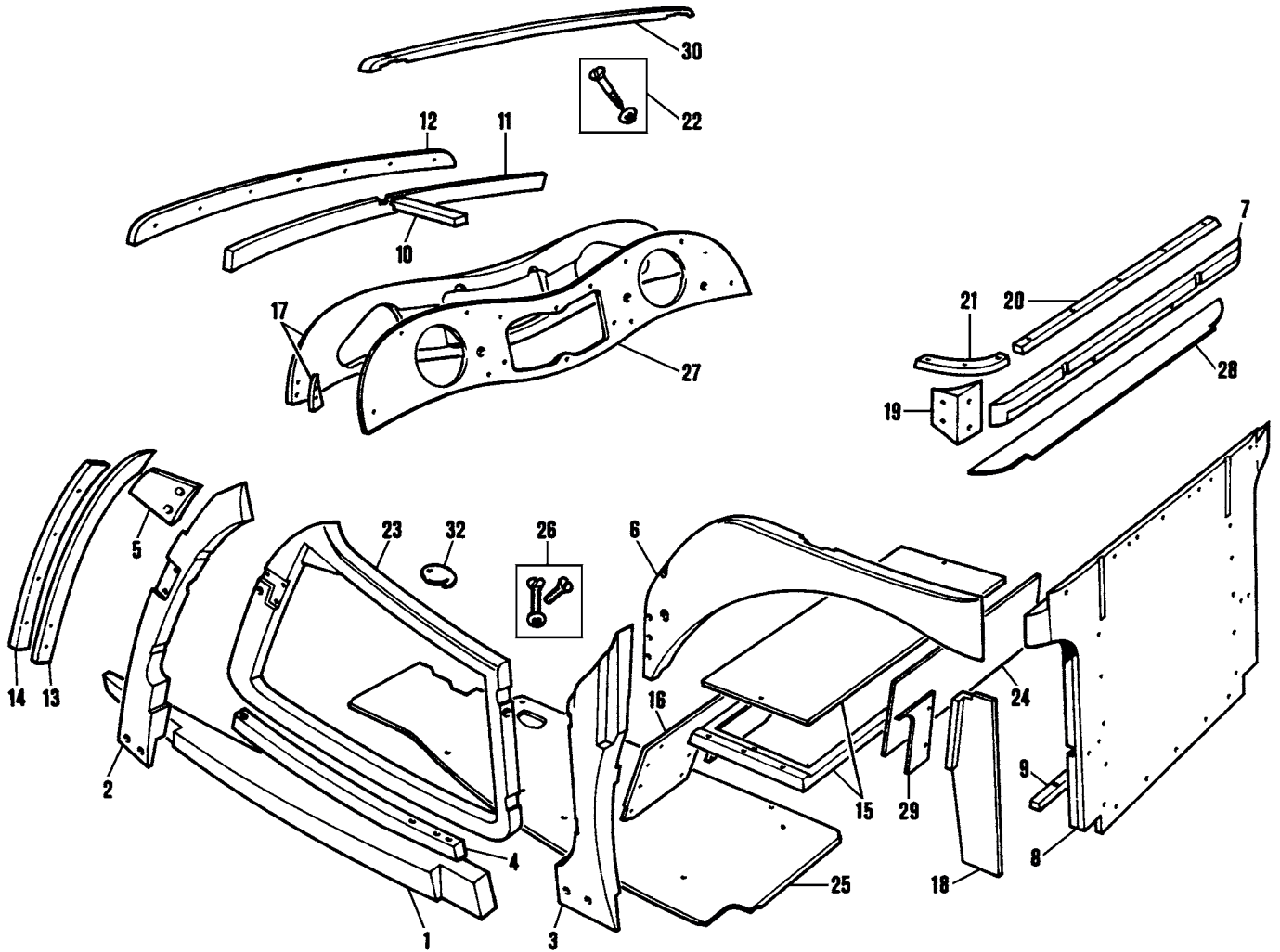


ill.	Part Number	Price £ea.	Description	Req.	Details
Body Panels, TC					
1	456-510	£1,666.00	FRONT WING, RH	1	
	456-500	£1,666.00	FRONT WING, LH	1	
NI	236-210	£163.70	WING COVER SET, pair	2	TA-TC (These very practical black padded vinyl wing covers are specially tailored to fit your model. Protect that expensive finish from wayward spanners and greasy hands. Both left and right covers are supplied in the set).
3	456-610	£1,146.00	REAR WING, RH	1	
	456-600	£1,146.00	REAR WING, LH	1	
	323-838	£16.10	SCREW & WASHER SET	1	
4	457-100	£364.00	SPLASH APRON, front	1	
5	407-390	£151.10	BRACKET, headlamp, RH	1	
	407-380	£151.10	BRACKET, headlamp, LH	1	
6	321-288	£16.00	BOLT & NUT SET, headlamp bracket	2	1 of each
7	328-175	£5.50	STUD, headlamp bracket	4	
8	453-280	£18.00	ROD, brass, side panel attaching	2	
9	406-855	£34.20	BONNET LATCH, RH	2	cadmium plated
	406-860	£34.20	BONNET LATCH, LH	2	
9a	158-018	£7.20	SCREW, bonnet latch	a/r	
10	406-810	£30.20	BRACKET, bonnet latch, on wing	4	
11	406-828	£29.40	BUFFER PLATE SET, bonnet	1	4 buffers & plates
12	457-020	£197.00	RUNNING BOARD, RH	1	
	457-010	£197.00	RUNNING BOARD, LH	1	
13	457-310	£209.90	FRONT QUARTER PANEL, RH	1	
	457-300	£209.90	FRONT QUARTER PANEL, LH	1	
14	451-398	£48.20	THRESHOLD PLATE SET, (pair)	1	(2 plates etched with 'The MG Car Company Ltd').
15	457-410	£258.30	REAR QUARTER PANEL, RH	1	
	457-400	£258.30	REAR QUARTER PANEL, LH	1	
16	450-040	£10.00	REAR SIDE SCREEN BRACKET	2	
17	451-840	£527.40	SCUTTLE TOP	1	
18	457-210	£176.70	WHEEL ARCH, RH	1	
	457-200	£176.70	WHEEL ARCH, LH	1	
19	457-190	£45.40	REAR PANEL	1	between rear quarter panels
20	451-725	£54.30	BLANK PLATE, lamps & number plate	1	
21	321-778	£36.00	BOLT & NUT SET	1	wing & running boards to body
	320-360	£1.10	BOLT, 5/16" BSF x 3/4"	4	
	AJD8105Z	£0.30	NUT, 5/16" BSF	4	
	AJD6308Z	£1.80	BOLT, 3/8" BSF	4	
	AJD8106Z	£0.47	NUT, 3/8" BSF	6	
	AJD8104	£0.53	NUT, 1/4" BSF	6	
	320-380	£1.39	BOLT, 5/16" BSF x 1 1/4"	4	

ill.	Part Number	Price £ea.	Description	Req.	Details
22	456-770	£587.00	FUEL TANK	1	
	456-771	£963.90	FUEL TANK, stainless steel	1	
23	451-638	£175.50	END PANEL SET, fuel tank	1	2 chrome end panels
24	451-600	£30.30	STRAP, fuel tank, primed	2	
	450-055	£49.10	STRAP, fuel tank, chromed	2	optional
25	320-840	£19.00	BOLT, wing to fuel tank	2	
26	451-715	£18.00	NUMBER PLATE, blank, front	1	standard on all TC's
27	446-025	£1,150.00	DOOR ASSEMBLY, RH	1	panelled
	446-030	£1,150.00	DOOR ASSEMBLY, LH	1	
	456-835	£328.30	DOOR SKIN, RH	1	
	456-825	£328.30	DOOR SKIN, LH	1	
28	401-858	£318.40	DOOR HINGE SET	1	4 hinges & mounting hardware
29	401-878	£44.10	PIVOT BOLT SET, door hinge	1	complete set with balls
30	401-180	£18.00	MOUNTING PLATE, door lock	2	
	323-390	£3.60	SCREW, mounting plate	6	
31	401-190	£9.50	MOUNTING PLATE, door striker	2	
	323-390	£3.60	SCREW, mounting plate	4	
32	405-500	£21.50	DOOR CHECK	2	
33	323-868	£89.60	SCREW SET	1	for hinges, locks, strikers
34	450-445	£39.00	STRENGTHENER, door hinge, RH	1	
	450-450	£39.00	STRENGTHENER, door hinge, LH	1	
35	450-780	£7.90	DOOR TWIST STRIP	2	
36	450-460	£172.30	BULKHEAD FOOT PLATE	1	
	AJD6222Z	£4.50	BOLT, 5 1/6" x 2 3/4"	18	
	AJD8105Z	£0.30	NUT, 5 1/16"	18	
47	454-160	£30.50	LID, battery box	1	
48	451-680	£98.00	LID, tool box	1	
49	401-695	£8.00	CLIP, battery & tool box lids	4	
50	401-685	NCA	LATCH, battery & tool boxes	4	
51	407-120	£28.50	COVER, control cable, bulkhead	1	

Body Tub Steelwork, TC

54	450-465	£504.10	FRAME, body/chassis, LH	1	
	450-470	£504.10	FRAME, body/chassis, RH	1	
56	450-475	NCA	STRENGTHENER, rear body	1	
57	450-480	£47.60	BRACKET, rear door pillar, LH	1	
	450-485	£47.60	BRACKET, rear door pillar, RH	1	
59	450-490	NCA	BRACKET, scuttle side, LH	1	
	450-495	NCA	BRACKET, scuttle side, RH	1	
60	450-500	£43.20	BRACKET, scuttle top, LH	1	
	450-505	NCA	BRACKET, scuttle top, RH	1	
61	456-840	£64.60	SIDE CURTAIN COMPARTMENT	1	front section only



ill. Part Number Price £ea. Description

Body Tub, TC

Part Number	Price £ea.	Description	Req.	Details
459-500	£11,677.40	BODY TUB	1	panelled with doors and scuttle top
450-510	£8,090.00	BODY TUB	1	panelled without doors and scuttle top
450-515	£5,381.50	BODY TUB	1	assembled but un-panelled

Timber Components, TC

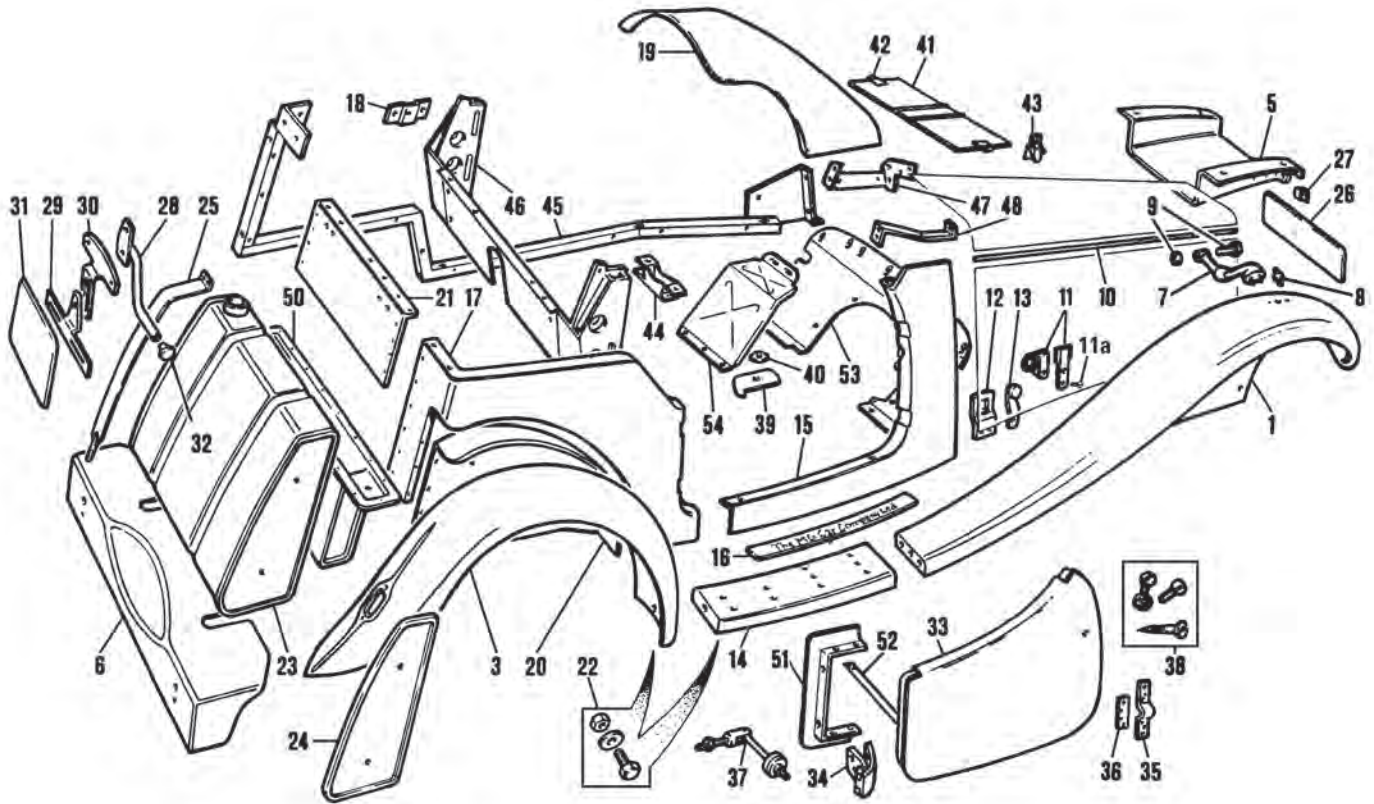
Part Number	Price £ea.	Description	Req.	Details
449-560	£2,979.96	TIMBER SET (Includes all timbers to build body frame).	1	
450-520	£135.80	BOTTOM MAIN RAIL, LH*	1	
450-525	£135.80	BOTTOM MAIN RAIL, RH*	1	
450-530	£164.70	FRONT BODY PILLAR, LH*	1	
450-535	£164.70	FRONT BODY PILLAR, RH*	1	
450-540	£215.50	REAR BODY PILLAR, LH*	1	
450-545	£215.50	REAR BODY PILLAR, RH*	1	
450-550	£73.80	UNDER DOOR RAIL, LH*	1	
450-555	£73.80	UNDER DOOR RAIL, RH*	1	
450-560	£35.60	FRONT BODY PILLAR, 'X Piece**	1	LH
450-565	£35.60	FRONT BODY PILLAR, 'X Piece**	1	RH
450-570	£280.00	REAR WHEEL ARCH, LH*	1	2 piece
450-575	£280.00	REAR WHEEL ARCH, RH*	1	
450-580	£107.70	REAR TOP RAIL*	1	
450-585	£280.00	REAR CENTRE PANEL*	1	
450-590	£37.80	REAR BOTTOM RAIL*	1	
450-595	£29.10	CROSSPIECE, dash to bulkhead*	1	
450-600	£50.70	FRONT TOP RAIL, inner*	1	
450-605	£75.40	FRONT TOP RAIL, outer*	1	
450-610	£36.60	FRONT SIDE RAIL, inner, LH*	1	
450-615	£36.60	FRONT SIDE RAIL, inner, RH*	1	
450-620	£37.80	FRONT SIDE RAIL, outer, LH*	1	
450-625	£37.80	FRONT SIDE RAIL, outer, RH*	1	
450-630	£195.90	PANEL ASSEMBLY, above rear axle*	1	
450-635	£97.00	REAR PROPSHAFT COVER*	1	

ill. Part Number Price £ea. Description Req. Details

450-640	£280.00	INNER DASHBOARD PANEL*	1	
450-645	£27.10	SIDE OF SIDE SCREEN BOX, LH*	1	
450-650	£27.10	SIDE OF SIDE SCREEN BOX, RH*	1	
450-655	£35.60	REAR ANGLED CORNER PIECE, LH*	1	
450-660	£35.60	REAR ANGLED CORNER PIECE, RH*	1	

*Note: All items are included in the TC timber set.

450-665	£37.80	RAIL, rear top finisher	1	
450-670	£34.70	RAIL, rear corner finisher, LH	1	
450-675	£34.70	RAIL, rear corner finisher, RH	1	
323-858	£12.00	SCREW SET, hood tacking strips	1	
450-680	£592.00	DOOR FRAME ASSEMBLY, LH	1	
450-685	£592.00	DOOR FRAME ASSEMBLY, RH	1	
450-690	£53.90	SIDE SCREEN BOX DOOR	1	
450-695	£164.70	FLOORBOARD, LH	1	
450-700	£164.70	FLOORBOARD, RH	1	
323-818	£39.20	SCREW & WASHER SET	1	floorboards, complete
233-635	£241.80	DASHBOARD FASCIA, finished veneer	1	alternatives
456-890	£150.90	DASHBOARD FASCIA, plain	1	
450-705	£49.60	SIDE SCREEN BOX TOP SHELF	1	
450-710	£17.30	FINISHER PIECE, side screen box, LH	1	
450-715	£17.30	FINISHER PIECE, side screen box, RH	1	
453-230	£97.80	TOP RAIL, wood, over windscreen	1	
407-800	£20.80	COVER, master cylinder inspection	1	

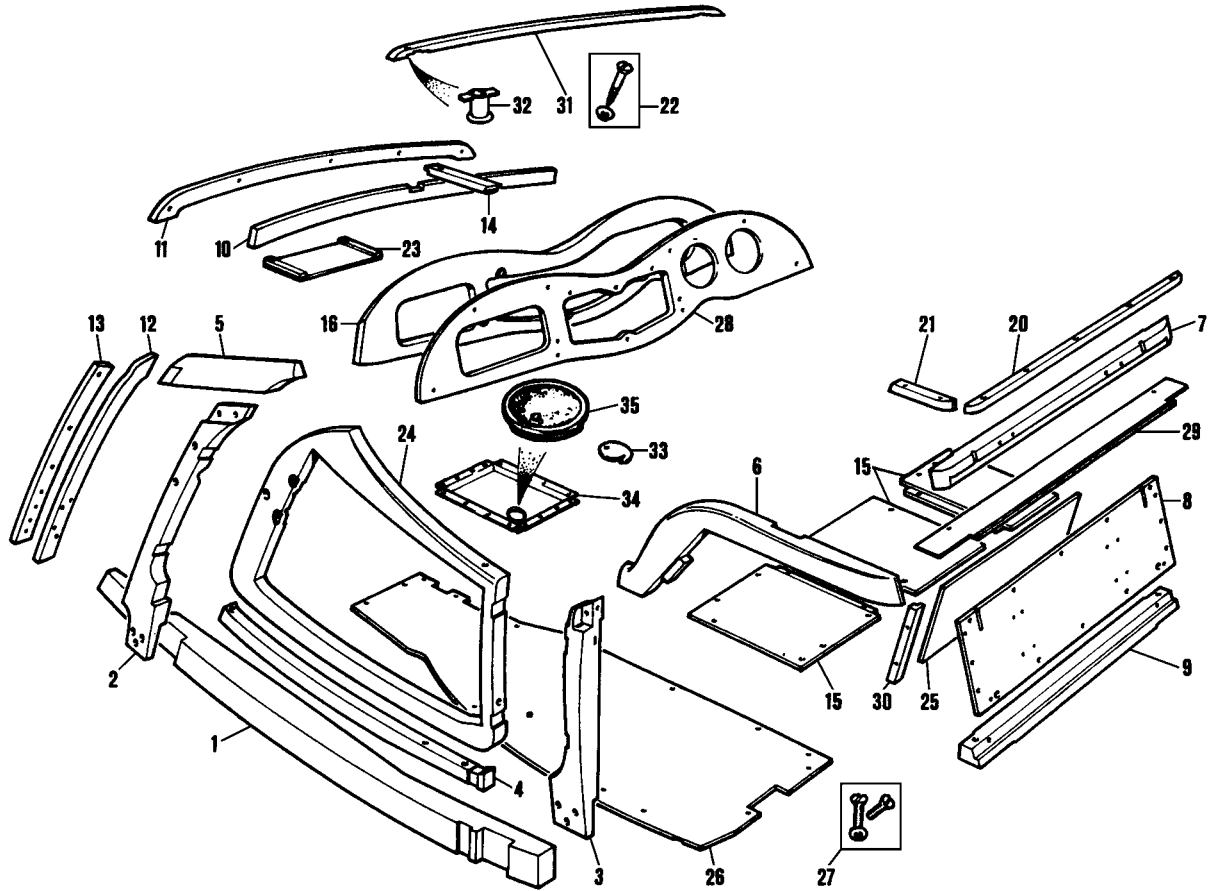


ill.	Part Number	Price £ea.	Description	Req.	Details
Body Panels, TD					
1	456-550	£1,861.00	FRONT WING, RH	1	Girling shock absorbers
	456-530	£1,861.00	FRONT WING, RH	1	Armstrong shock absorbers
	456-540	£1,861.00	FRONT WING, LH	1	Girling shock absorbers
	456-560	£1,861.00	FRONT WING, LH	1	Armstrong shock absorbers
NI	236-220	£163.70	WING COVER SET, pair	2	TD (These very practical black padded vinyl wing covers are specially tailored to fit your model. Protect that expensive finish from wayward spanners and greasy hands. Both left and right covers are supplied in the set).
3	456-630	£1,133.00	REAR WING, RH	1	rect. tail lamp To (c) 21302
	456-650	£1,335.00	REAR WING, RH	1	round tail lamp From (c) 21303
	456-620	£1,133.00	REAR WING, LH	1	rect. tail lamp To (c) 21302
	456-640	£1,335.00	REAR WING, LH	1	round tail lamp From (c) 21303
5	457-110	£234.00	SPLASH APRON, front	1	
6	457-070	NCA	SPLASH APRON, rear	1	
7	407-420	£152.40	BRACKET, headlamp, RH	1	
	407-410	£152.40	BRACKET, headlamp, LH	1	
8	328-185	£11.70	STUD, headlamp bracket	4	
9	321-288	£16.00	BOLT & NUT SET, headlamp bracket	2	1 of each
10	453-280	£18.00	ROD, brass, side panel attaching	2	
11	406-855	£34.20	BONNET LATCH, RH	2	cadmium plated
	406-860	£34.20	BONNET LATCH, LH	2	
11a	158-018	£7.20	SCREW, bonnet latch	a/r	
12	406-800	£24.30	BRACKET, bonnet latch, on wing	4	
13	406-828	£29.40	BUFFER PLATE SET, bonnet	1	4 buffers & plates
14	457-040	£197.00	RUNNING BOARD, RH	1	
	457-030	£197.00	RUNNING BOARD, LH	1	
15	457-330	£229.30	FRONT QUARTER PANEL, RH	1	
	457-320	£229.30	FRONT QUARTER PANEL, LH	1	
16	451-398	£48.20	THRESHOLD PLATE SET, pair	1	(2 plates etched with 'The MG Car Company Ltd').
17	457-080	£273.40	REAR QUARTER PANEL, RH	1	
	457-090	£273.40	REAR QUARTER PANEL, LH	1	
18	450-720	£10.80	BRACKET, rear side screen, RH	1	
	450-725	£10.80	BRACKET, rear side screen, LH	1	
19	451-850	£683.60	SCUTTLE TOP	1	
20	456-820	£159.40	WHEEL ARCH, RH	1	
	456-830	£159.40	WHEEL ARCH, LH	1	
21	457-130	£45.40	REAR PANEL	1	between rear quarter panels
22	321-758	£53.40	BOLT & NUT SET	1	wing & running boards to body

ill.	Part Number	Price £ea.	Description	Req.	Details
	320-360	£1.10	BOLT, 5/16" BSF x 3/4"	16	
	320-370	£1.70	BOLT, 5/16" BSF x 1"	4	
	AJD8105Z	£0.30	NUT, 5/16" BSF	8	
	AJD6308Z	£1.80	BOLT, 3/8" BSF x 1"	2	
	AJD8106Z	£0.47	NUT, 3/8" BSF	2	
	AJD8104	£0.53	NUT, 1/4" BSF	6	
	320-380	£1.39	BOLT, 5/16" BSF x 1 1/4"	2	
23	456-785	£587.00	FUEL TANK	1	
	456-786	£963.90	FUEL TANK, stainless steel	1	
24	451-648	£229.90	END PANEL SET, fuel tank	1	2 chrome end panels
25	451-610	£44.70	STRAP, fuel tank, primed	2	
	450-730	£51.50	STRAP, fuel tank, chromed	2	optional
26	ALK3268	£6.30	BACKING PLATE, front number plate	1	
27	406-490	£6.10	BRACKET, for above plate	2	
28	406-500	£62.50	'S' BRACKET, rear number plate	1	LHD, on spare wheel carrier
	406-520	£62.50	'S' BRACKET, rear number plate	1	RHD, on spare wheel carrier
29	406-510	£66.80	BRACKET, number plate support	1	
30	AAA2179	£15.60	'T' BRACKET	1	number plate lamp support
31	451-275	£43.30	BACKING PLATE	1	rear number plate
32	406-400	£40.30	PLUG, tyre rack, tube end	1	
33	446-035	£1,181.90	DOOR ASSEMBLY, RH	1	pannelled
	446-040	£1,181.90	DOOR ASSEMBLY, LH	1	
	456-855	£344.60	DOOR SKIN, RH	1	
	456-845	£344.60	DOOR SKIN, LH	1	
34	401-970	£48.60	DOOR HINGE, top, RH	1	brass
	401-960	£48.60	DOOR HINGE, top, LH	1	
	401-990	£48.60	DOOR HINGE, bottom, RH	1	
	401-980	£48.60	DOOR HINGE, bottom, LH	1	
35	401-420	£5.90	MOUNTING PLATE, door striker	2	
36	401-430	£6.00	MOUNTING PLATE, door lock	2	
37	405-500	£21.50	DOOR CHECK	2	
38	323-878	£71.70	SCREW SET	1	for hinges, locks, strikers
39	407-810	£20.50	COVER, transmission dipstick	1	
40	407-425	NCA	WING NUT, dipstick cover	1	
41	451-680	£98.00	LID, tool box	1	
42	401-695	£8.00	CLIP, tool box lid	2	
43	401-685	NCA	LATCH, tool box	2	
44	411-020	£78.00	BRACKET, gearbox mounting	1	

Body Tub Steelwork, TD

45	450-735	£484.50	FRAME, body/chassis, LH	1	
	450-740	£484.50	FRAME, body/chassis, RH	1	
46	450-745	£350.00	REAR BODY TIE BAR	1	
47	450-750	£103.30	BRACKET, scuttle side, LH	1	



ill.	Part Number	Price £ea.	Description	Req.	Details
	450-755	£103.30	BRACKET, scuttle side, RH	1	
48	450-765	£57.10	BRACKET, scuttle top, RH	1	
	450-760	£57.10	BRACKET, scuttle top, LH	1	
50	456-850	£309.90	SIDE SCREEN COMPARTMENT	1	
51	449-040	£30.20	STRENGTHENER, door, LH	1	
	449-045	£30.20	STRENGTHENER, door, RH	1	
52	450-780	£7.90	DOOR TWIST STRIP	2	
53	450-785	£172.30	BULKHEAD FOOT PLATE	1	RHD
	450-785L	£172.30	BULKHEAD FOOT PLATE	1	LHD
	AJD6222Z	£4.50	BOLT, 5 1/6" x 2 3/4"	18	
	AJD8105Z	£0.30	NUT, 5 1/16"	18	
54	456-860	£84.00	FOOT REST, on passenger floor	1	

Body Tub, TD

450-790	£11,677.40	BODY TUB, RHD	1	} panelled with doors and scuttle top
450-795	£8,879.20	BODY TUB, RHD	1	
450-800	NCA	BODY TUB, RHD	1	assembled but un-panelled

Note: All The body tubs listed here are for RHD models. LHD body tubs are also available, please enquire.

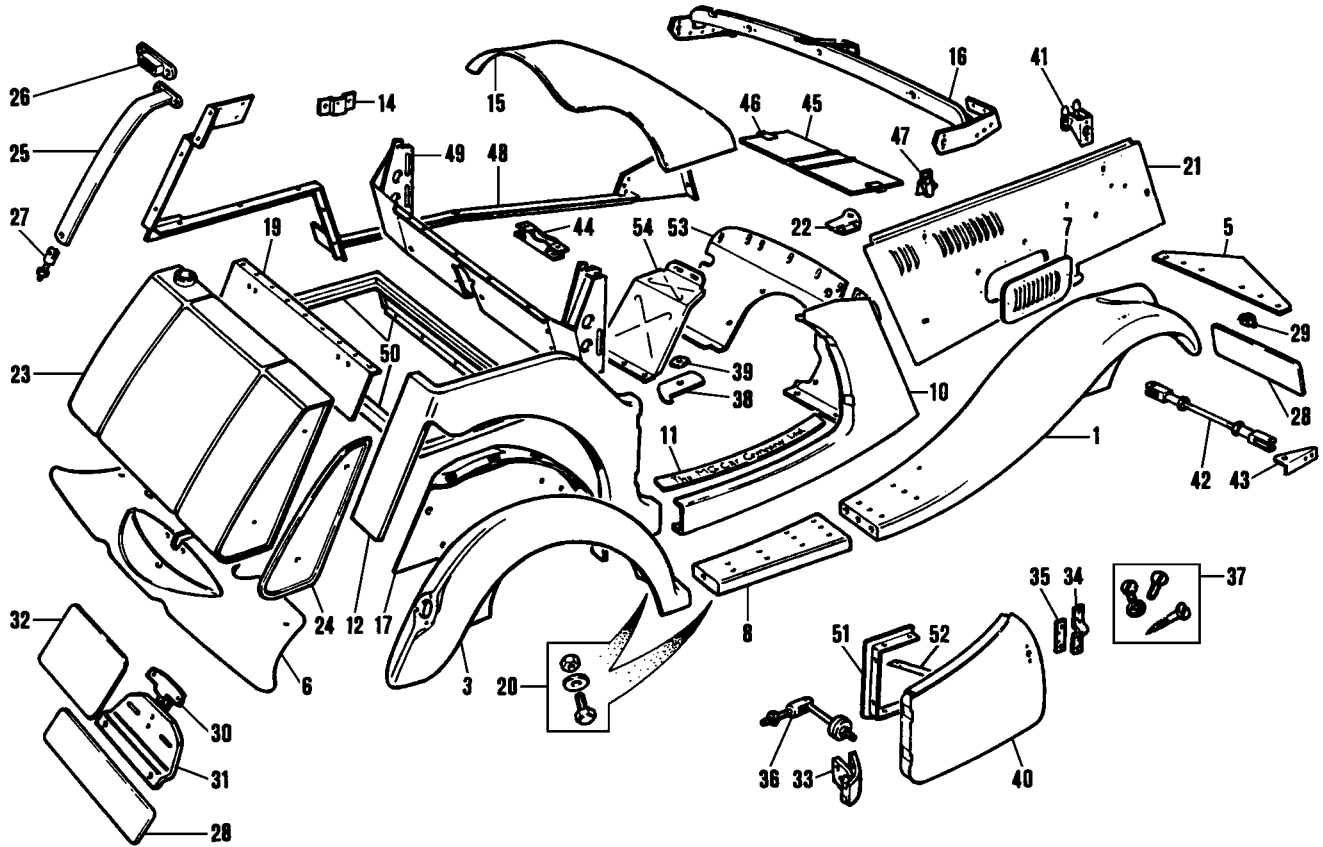
Timber Components, TD

	450-805	£2,544.00	TIMBER SET (Includes all timbers to build body frame).	1	
1	450-810	£142.10	BOTTOM MAIN RAIL, LH*	1	
	450-815	£142.10	BOTTOM MAIN RAIL, RH*	1	
2	450-820	£164.70	FRONT BODY PILLAR, LH*	1	
	450-825	£164.70	FRONT BODY PILLAR, RH*	1	
3	450-830	£116.20	REAR BODY PILLAR, LH*	1	
	450-835	£116.20	REAR BODY PILLAR, RH*	1	
4	450-840	£80.70	UNDER DOOR RAIL, LH*	1	
	450-845	£80.70	UNDER DOOR RAIL, RH*	1	
5	450-850	£88.30	FRONT BODY PILLAR, 'X Piece', LH*	1	
	450-855	£88.30	FRONT BODY PILLAR, 'X Piece', RH*	1	
6	450-860	£226.20	REAR WHEEL ARCH, LH*	1	} 2 piece
	450-865	£226.20	REAR WHEEL ARCH, RH*	1	
7	450-870	£107.70	REAR TOP RAIL*	1	
8	450-875	£107.70	REAR CENTRE PANEL*	1	
9	450-880	£94.80	REAR BOTTOM RAIL*	1	

ill.	Part Number	Price £ea.	Description	Req.	Details
10	450-885	£50.70	FRONT TOP RAIL, inner*	1	
11	450-890	£77.00	FRONT TOP RAIL, outer*	1	
12	450-895	£71.20	FRONT SIDE RAIL, inner, LH*	1	
	450-900	£71.20	FRONT SIDE RAIL, inner, RH*	1	
13	450-905	£71.20	FRONT SIDE RAIL, outer, LH*	1	
	450-910	£71.20	FRONT SIDE RAIL, outer, RH*	1	
14	450-915	£17.30	CROSSPIECE, dash to bulkhead*	1	
15	450-920	£177.70	PANEL ASSEMBLY*	1	above rear axle, set of 3
16	233-580	£201.30	INNER DASHBOARD PANEL, RHD*	1	
	450-925	£201.30	INNER DASHBOARD PANEL, LHD	1	

*Note: All items are included in the TD timber set.

20	450-930	£53.90	RAIL, rear top finisher	1	
21	450-935	£17.30	RAIL, rear corner finisher, LH	1	
	450-940	£17.30	RAIL, rear corner finisher, RH	1	
22	323-858	£12.00	SCREW SET, top finisher rails	1	13 screws & washers
23	407-710	£39.30	BATTERY TRAY	1	
24	450-945	£592.00	DOOR FRAME ASSEMBLY, LH	1	
	450-950	£592.00	DOOR FRAME ASSEMBLY, RH	1	
25	450-955	£31.30	SIDE SCREEN BOX DOOR	1	
26	450-960	£161.60	FLOORBOARD, LH	1	} RHD
	450-965	£161.60	FLOORBOARD, RH	1	
	450-970	£161.60	FLOORBOARD, LH, no footwell	1	} LHD
	450-975	£161.60	FLOORBOARD, RH	1	
27	323-828	£29.50	SCREW & WASHER SET	1	floorboards, complete
28	233-530	£314.26	DASHBOARD, finished walnut veneer	1	} RHD
	233-570	£167.00	DASHBOARD, plywood	1	
	233-645	£258.60	DASHBOARD, finished walnut veneer	1	} LHD
	233-510	£164.30	DASHBOARD, plywood	1	
29	450-985	£54.30	SIDE SCREEN BOX TOP SHELF	1	
30	450-990	£23.70	FINISHER PIECE, side screen box, LH	1	
	450-995	£23.70	FINISHER PIECE, side screen box, RH	1	
31	453-240	£104.40	TOP RAIL, wood, over windscreen	1	
32	AFH2635	£7.20	SOCKET, brass, top rail	2	
33	407-800	£20.80	COVER, master cylinder inspection	1	LHD To (c) 4236; all RHD
34	456-870	£98.00	FOOTWELL, metal	1	LHD From (c) 4237
35	ACA5300	£3.70	PLUG, master cylinder inspection	1	LHD

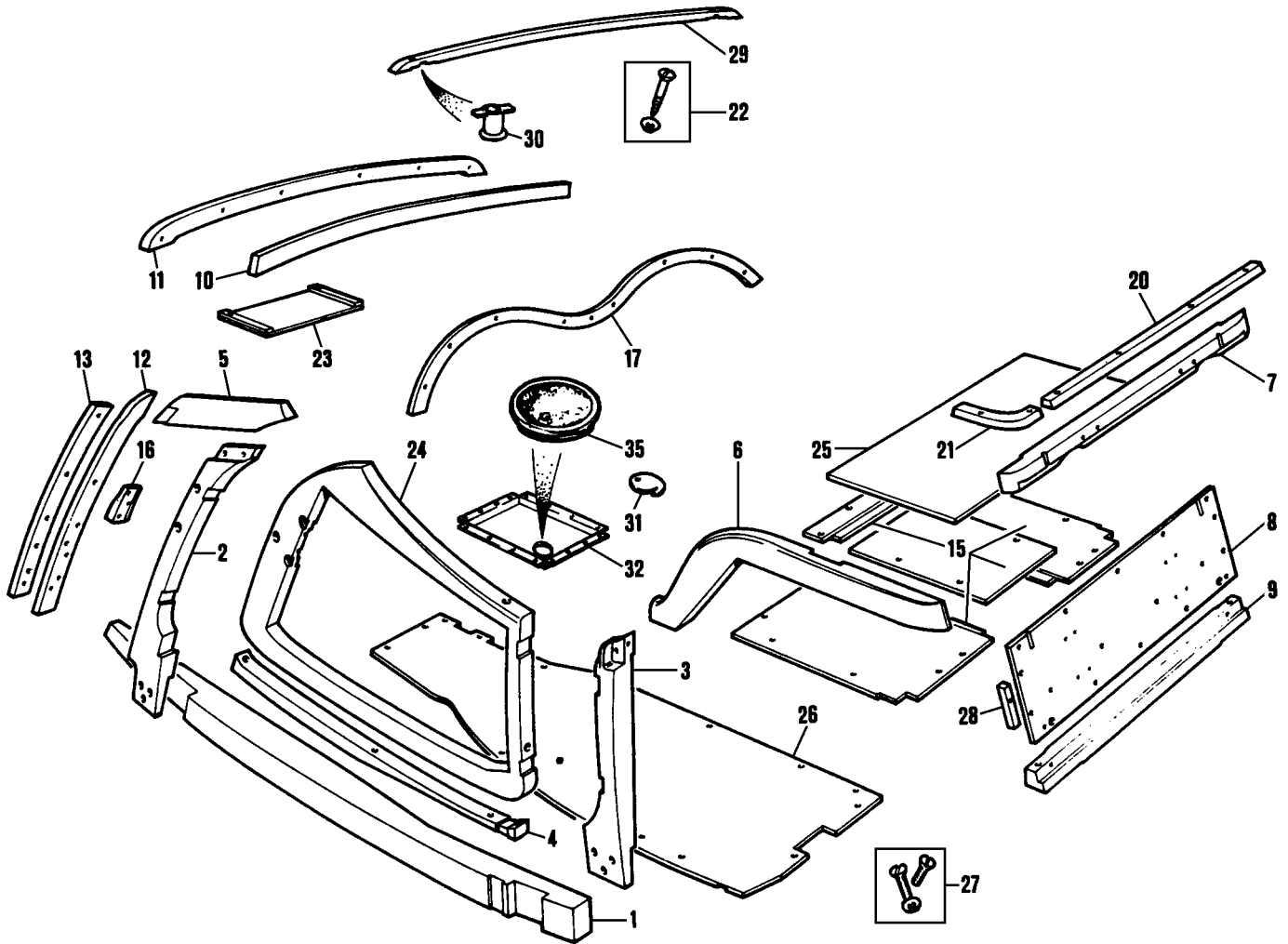


ill.	Part Number	Price £ea.	Description	Req.	Details
Body Panels, TF					
1	456-490	£2,007.00	FRONT WING, RH	1	
	456-480	£2,007.00	FRONT WING, LH	1	
NI	236-230	£163.70	WING COVER SET, pair	2	TF
(These very practical black padded vinyl wing covers are specially tailored to fit your model. Protect that expensive finish from wayward spanners and greasy hands. Both left and right covers are supplied in the set).					
3	456-670	£1,133.00	REAR WING, RH	1	
	456-660	£1,133.00	REAR WING, LH	1	
	323-838	£16.10	SCREW & WASHER SET	1	
5	451-090	£55.40	SPLASH APRON, front	1	
6	456-520	£333.80	SPLASH APRON, rear	1	
7	451-740	£68.60	LOUVRE PANEL, bonnet side	2	
8	457-060	£197.00	RUNNING BOARD, RH	1	
	457-050	£197.00	RUNNING BOARD, LH	1	
10	456-570	£269.10	FRONT QUARTER PANEL, RH	1	
	456-580	£269.10	FRONT QUARTER PANEL, LH	1	
11	451-398	£48.20	THRESHOLD PLATE SET, pair	1	
(2 plates etched with 'The MG Car Company Ltd').					
12	456-680	£343.50	REAR QUARTER PANEL, RH	1	
	456-690	£343.50	REAR QUARTER PANEL, LH	1	
14	450-720	£10.80	BRACKET, rear side screen, RH	1	
	450-725	£10.80	BRACKET, rear side screen, LH	1	
15	451-860	£672.80	SCUTTLE TOP	1	
16	456-865	NCA	SCUTTLE FRAME	1	
17	457-220	£176.70	WHEEL ARCH, RH	1	
	457-230	£176.70	WHEEL ARCH, LH	1	
19	457-140	£45.40	REAR PANEL, between rear quarter panels	1	
20	321-768	£77.60	BOLT & NUT SET	1	wing & running boards to body
	320-360	£1.10	BOLT, 5/16" BSF x 3/4"	16	
	320-370	£1.70	BOLT, 5/16" BSF x 1"	4	
	AJD8105Z	£0.30	NUT, 5/16" BSF	8	
	AJD6308Z	£1.80	BOLT, 3/8" BSF x 1"	12	
	AJD8106Z	£0.47	NUT, 3/8" BSF	2	
	320-380	£1.39	BOLT, 5/16" BSF x 1 1/4"	16	
	AJD8104	£0.53	NUT, 1/4" BSF	14	
	BTB610	£2.50	BOLT	6	
21	457-915	£315.00	SIDE PANEL, bonnet, LH	1	
	457-925	£315.00	SIDE PANEL, bonnet, RH	1	
22	406-935	£27.00	CORNER BRACKET, LH	1	bonnet to bulkhead
	406-945	£27.00	CORNER BRACKET, RH	1	
23	456-795	£587.00	FUEL TANK	1	
	456-796	£963.90	FUEL TANK, stainless steel	1	
24	451-658	£181.60	END PANEL SET, fuel tank	1	2 chrome end panels

ill.	Part Number	Price £ea.	Description	Req.	Details
25	451-620	£32.50	STRAP, fuel tank, primed	2	
	449-000	£45.70	STRAP, fuel tank, chromed	2	optional
26	407-110	£27.80	TOP BRACKET	2	fuel tank strap, chromed
27	449-005	£49.40	BOTTOM BRACKET, fuel tank strap	2	
28	ALK3268	£6.30	BLANK NUMBER PLATE, front & rear	2	UK models
29	406-490	£6.10	BRACKET, for above plate	2	
30	AAA2179	£15.60	'T' BRACKET, number lamp support	1	
31	AHH5151	£19.50	BRACKET, number plate assembly	1	
32	AHA5211	£8.90	BACKING PLATE, number plate, rear	1	US models
33	401-970	£48.60	DOOR HINGE, top, RH	1	brass
	401-960	£48.60	DOOR HINGE, top, LH	1	
	401-990	£48.60	DOOR HINGE, bottom, RH	1	
	401-980	£48.60	DOOR HINGE, bottom, LH	1	
34	401-420	£5.90	MOUNTING PLATE, door striker	2	
35	401-430	£6.00	MOUNTING PLATE, door lock	2	
36	405-500	£21.50	DOOR CHECK	2	
37	323-878	£71.70	SCREW SET	1	for hinges, locks, strikers
38	407-810	£20.50	COVER, transmission dipstick	1	
39	407-425	NCA	WING NUT, dipstick cover	1	
40	446-045	£1,123.60	DOOR ASSEMBLY, RH	1	panelled
	446-050	£1,123.60	DOOR ASSEMBLY, LH	1	
	449-010	£350.00	DOOR SKIN, LH	1	
	449-015	£350.00	DOOR SKIN, RH	1	
41	457-895	NCA	BONNET LATCH, RH	2	
	457-905	NCA	BONNET LATCH, LH	2	
42	451-825	NCA	TIE BAR, front wing	1	
43	451-885	£18.90	BRACKET, tie bar, RH	1	
	451-880	£18.90	BRACKET, tie bar, LH	1	
44	411-020	£78.00	BRACKET, gearbox mounting	1	
45	451-680	£98.00	LID, tool box	1	
46	401-695	£8.00	CLIP, tool box lid	2	
47	401-685	NCA	LATCH, tool box	2	

Body Tub Steelwork, TF

48	449-020	£484.50	FRAME, body/chassis, LH	1	
	449-025	£484.50	FRAME, body/chassis, RH	1	
49	449-030	£376.70	REAR BODY TIE BAR	1	
50	449-035	£103.30	SIDE SCREEN COMPARTMENT	1	4 piece
51	449-045	£30.20	STRENGTHENER, door, RH	1	
	449-040	£30.20	STRENGTHENER, door, LH	1	
52	450-780	£7.90	DOOR TWIST STRIP	2	
53	450-785	£172.30	BULKHEAD FOOT PLATE	1	RHD
	450-785L	£172.30	BULKHEAD FOOT PLATE	1	LHD
	AJD6222Z	£4.50	BOLT, 5 1/6" x 2 3/4"	18	
	AJD8105Z	£0.30	NUT, 5 1/16"	18	
54	456-860	£84.00	FOOT REST, on passenger floor	1	

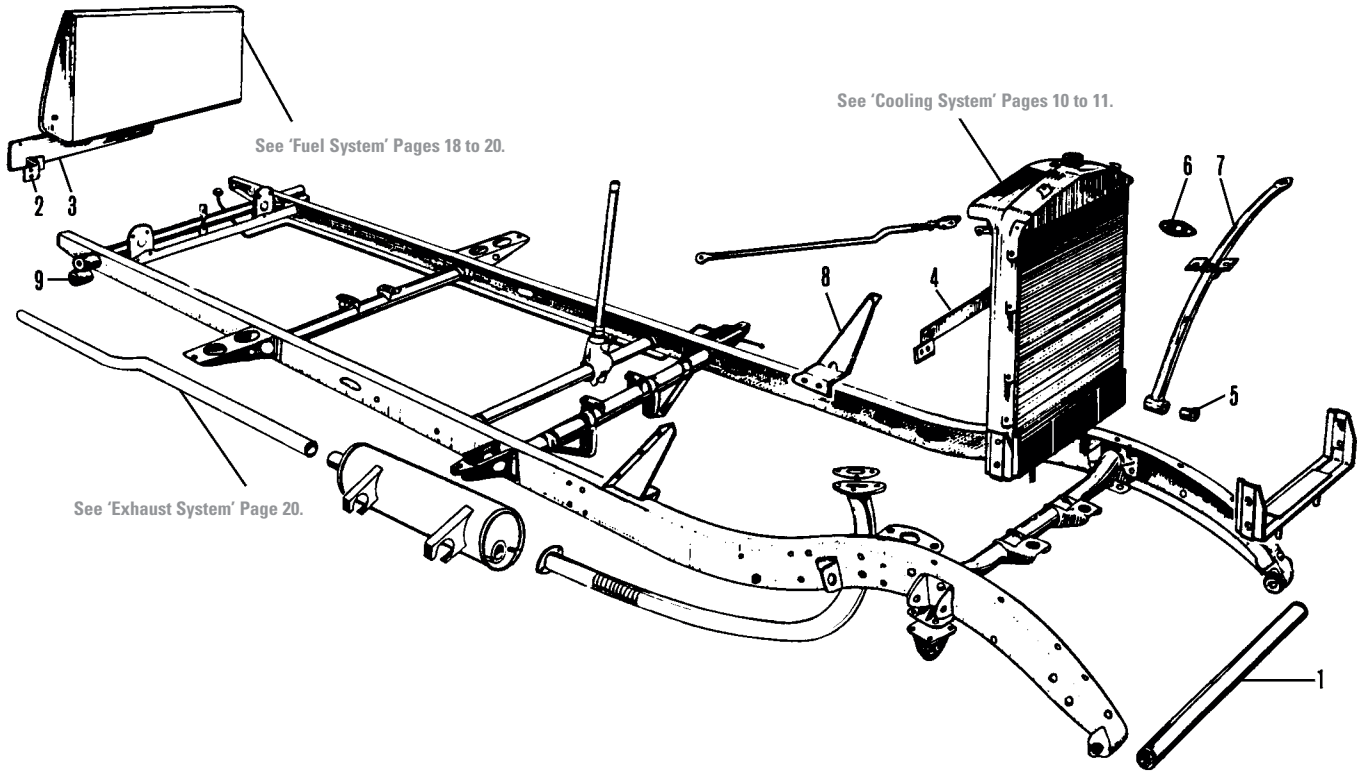


ill.	Part Number	Price £ea.	Description	Req.	Details
Body Tub, TF					
	459-520	£11,677.40	BODY TUB, RHD	1	panelled with doors & scuttle top
	449-050	£8,879.20	BODY TUB, RHD	1	panelled without doors & scuttle top
	449-055	£5,381.50	BODY TUB, RHD	1	assembled but un-panelled

Timber Components, TF

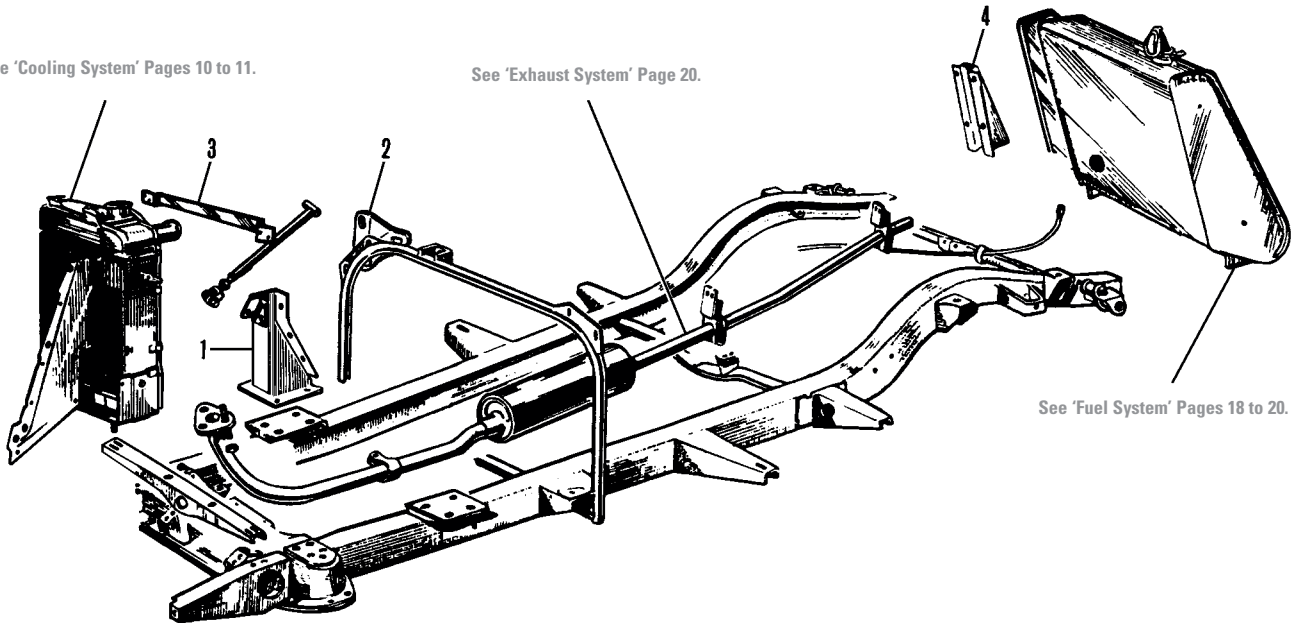
	449-565	£2,424.96	TIMBER SET (Includes all timbers to build body frame).	1	
1	449-060	£147.50	BOTTOM MAIN RAIL, LH*	1	
	449-065	£147.50	BOTTOM MAIN RAIL, RH*	1	
2	449-070	£161.60	FRONT BODY PILLAR, LH*	1	
	449-075	£161.60	FRONT BODY PILLAR, RH*	1	
3	449-080	£132.40	REAR BODY PILLAR, LH*	1	
	449-085	£132.40	REAR BODY PILLAR, RH*	1	
4	449-090	£77.00	UNDER DOOR RAIL, LH*	1	
	449-095	£77.00	UNDER DOOR RAIL, RH*	1	
5	449-100	£75.40	FRONT BODY PILLAR, 'X Piece'*	1	LH
	449-105	£75.40	FRONT BODY PILLAR, 'X Piece'*	1	RH
6	449-110	£236.90	REAR WHEEL ARCH, LH*	1	
	449-115	£236.90	REAR WHEEL ARCH, RH*	1	
7	449-120	£118.40	REAR TOP RAIL*	1	
8	449-125	£73.80	REAR CENTRE PANEL*	1	
9	449-130	£94.80	REAR BOTTOM RAIL*	1	
10	449-135	£49.60	FRONT TOP RAIL, inner*	1	
11	449-140	£71.20	FRONT TOP RAIL, outer*	1	
12	449-145	£61.40	FRONT SIDE RAIL, inner, LH*	1	
	449-150	£61.40	FRONT SIDE RAIL, inner, RH*	1	
13	449-155	£61.40	FRONT SIDE RAIL, outer, LH*	1	

ill.	Part Number	Price £ea.	Description	Req.	Details
	449-160	£61.40	FRONT SIDE RAIL, outer, RH	1	
15	449-165	£215.50	PANEL ASSEMBLY*	1	above rear axle
16	449-170	£19.90	WEDGE, chassis frame to body*	1	LH
	449-175	£19.90	WEDGE, chassis frame to body*	1	RH
*Note: All items are included in the TF timber set.					
17	449-180	£60.00	RAIL, dashboard finisher	1	
20	449-185	£41.00	RAIL, rear top finisher	1	
21	449-190	£31.30	RAIL, rear corner finisher	1	LH
	449-195	£31.30	RAIL, rear corner finisher	1	RH
22	323-858	£12.00	SCREW SET, top finisher rail	1	13 screws & washers
23	407-710	£39.30	BATTERY TRAY	1	
24	449-200	£549.00	DOOR FRAME ASSEMBLY, LH	1	
	449-205	£549.00	DOOR FRAME ASSEMBLY, RH	1	
25	449-210	£59.20	SIDE SCREEN BOX DOOR	1	
26	449-215	£164.70	FLOORBOARD, LH	1	RHD
	449-220	£164.70	FLOORBOARD, RH	1	LHD
	449-225	£164.70	FLOORBOARD, LH, no footwell	1	LHD
	449-230	£164.70	FLOORBOARD, RH	1	LHD
27	323-828	£29.50	SCREW & WASHER SET	1	floorboards, complete
28	449-235	£6.60	WEDGE, rear body panel trim	2	
29	453-240	£104.40	TOP RAIL, wood, over windscreen	1	
30	AFH2635	£7.20	SOCKET, brass, top rail	2	
31	407-800	£20.80	COVER, master cylinder inspection	1	RHD
32	456-870	£98.00	FOOTWELL, metal	1	LHD
35	ACA5300	£3.70	PLUG, master cylinder inspection	1	LHD



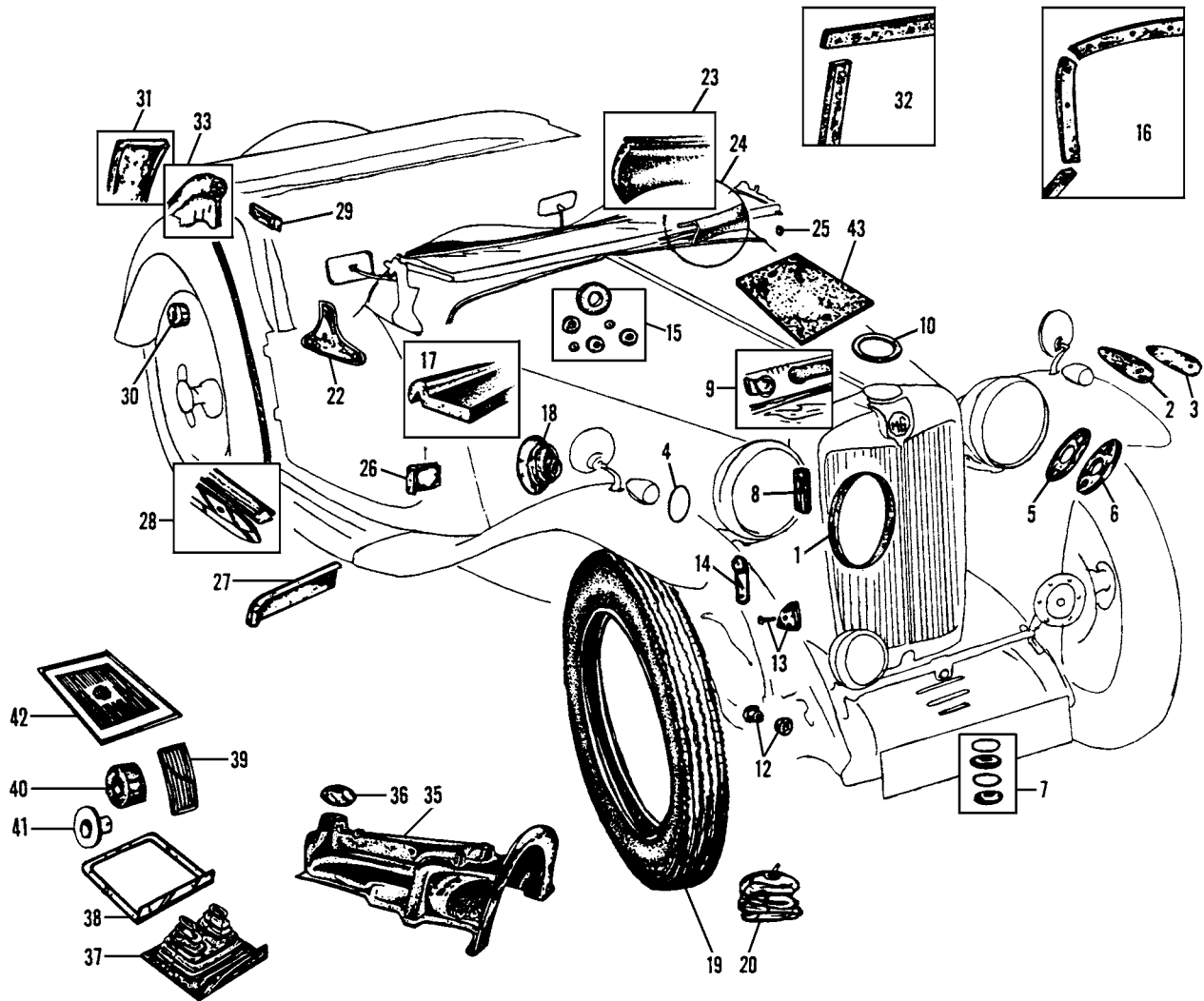
See 'Cooling System' Pages 10 to 11.

See 'Exhaust System' Page 20.



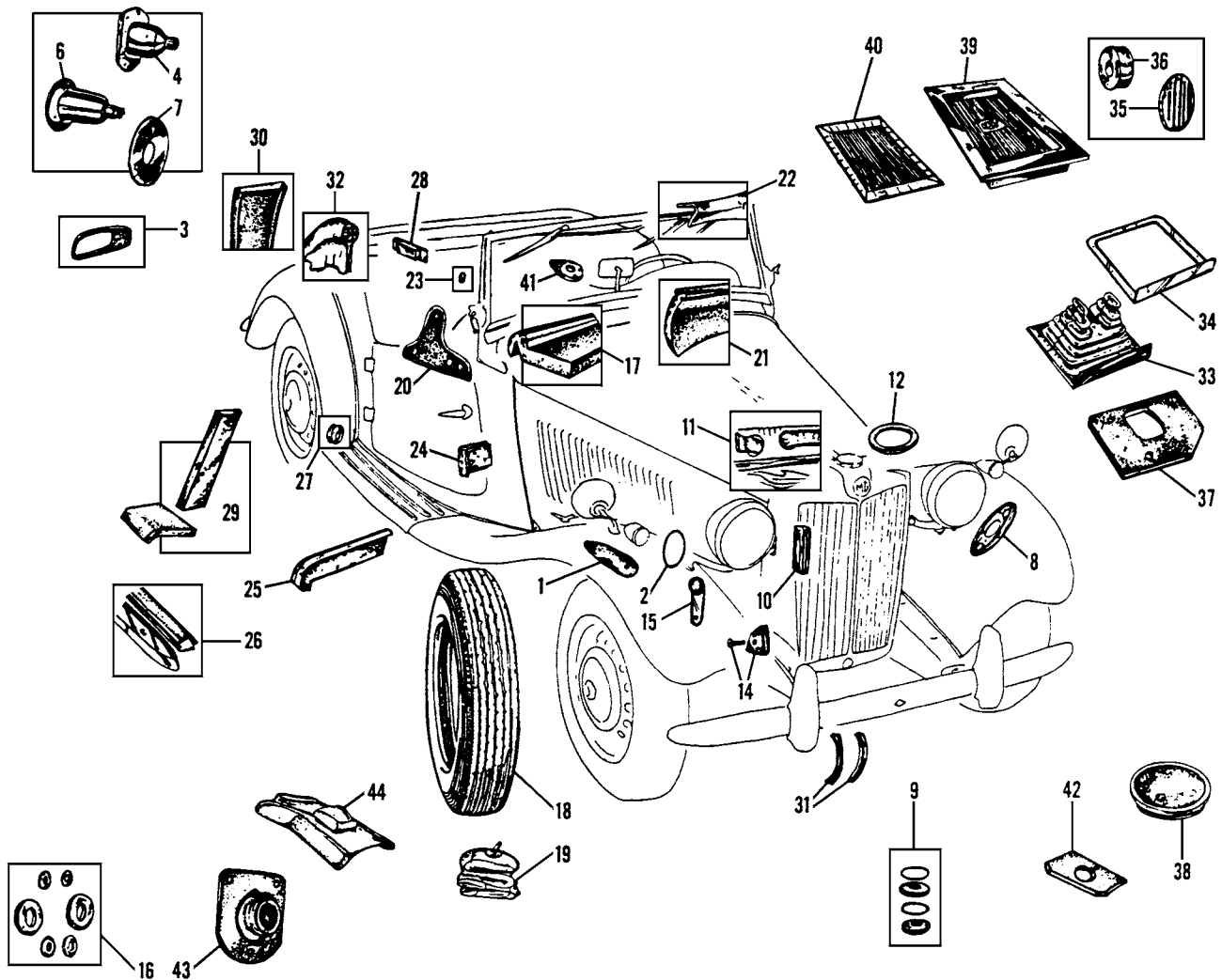
ill.	Part Number	Price £ea.	Description	Req.	Details
Chassis Frame & Fittings, TA-TB & TC					
1	451-190	£86.60	FRONT CHASSIS CROSS MEMBER	1	
2	406-330	£36.20	MOUNTING BRACKET, number plate	2	
3	450-045	£46.30	BLANK PLATE, round rear lamps	1	TA To (c) 1789
	451-725	£54.30	BLANK PLATE, 'D' rear lamps	1	TA From (c) 1790, TB & TC
4	451-100	£73.30	TIE BRACKET, headlamp mounting	1	
5	1B8347	£1.70	BUSH, wing brace	4	
6	280-090	£1.75	PAD, wing to brace	2	
7	451-830	£75.40	FRONT WING BRACE, LH	1	
	451-835	£75.40	FRONT WING BRACE, RH	1	
8	452-700	£215.00	SUPPORT BRACKET, bulkhead, LH	1	
	452-710	£215.00	SUPPORT BRACKET, bulkhead, RH	1	
9	PW072	£110.80	TRUNNION BUSH REPAIR, RH	1	} TA & TB
	PW072A	£110.80	TRUNNION BUSH REPAIR, LH (Also known as sliding bush).	1	

ill.	Part Number	Price £ea.	Description	Req.	Details
Chassis Frame & Fittings, TD & TF					
1	449-570	NCA	BULKHEAD FOOT, RH	1	
	449-575	NCA	BULKHEAD FOOT, LH	1	
2	449-580	£35.60	BRACKET, roll bar to body, RH	1	
	449-585	£35.60	BRACKET, roll bar to body, LH	1	
3	451-100	£73.30	TIE BRACKET, headlamp mounting	1	TD
4	449-595	£45.40	BRACKET, tank support	2	TD
	449-600	£47.60	BRACKET, tank support	2	TF



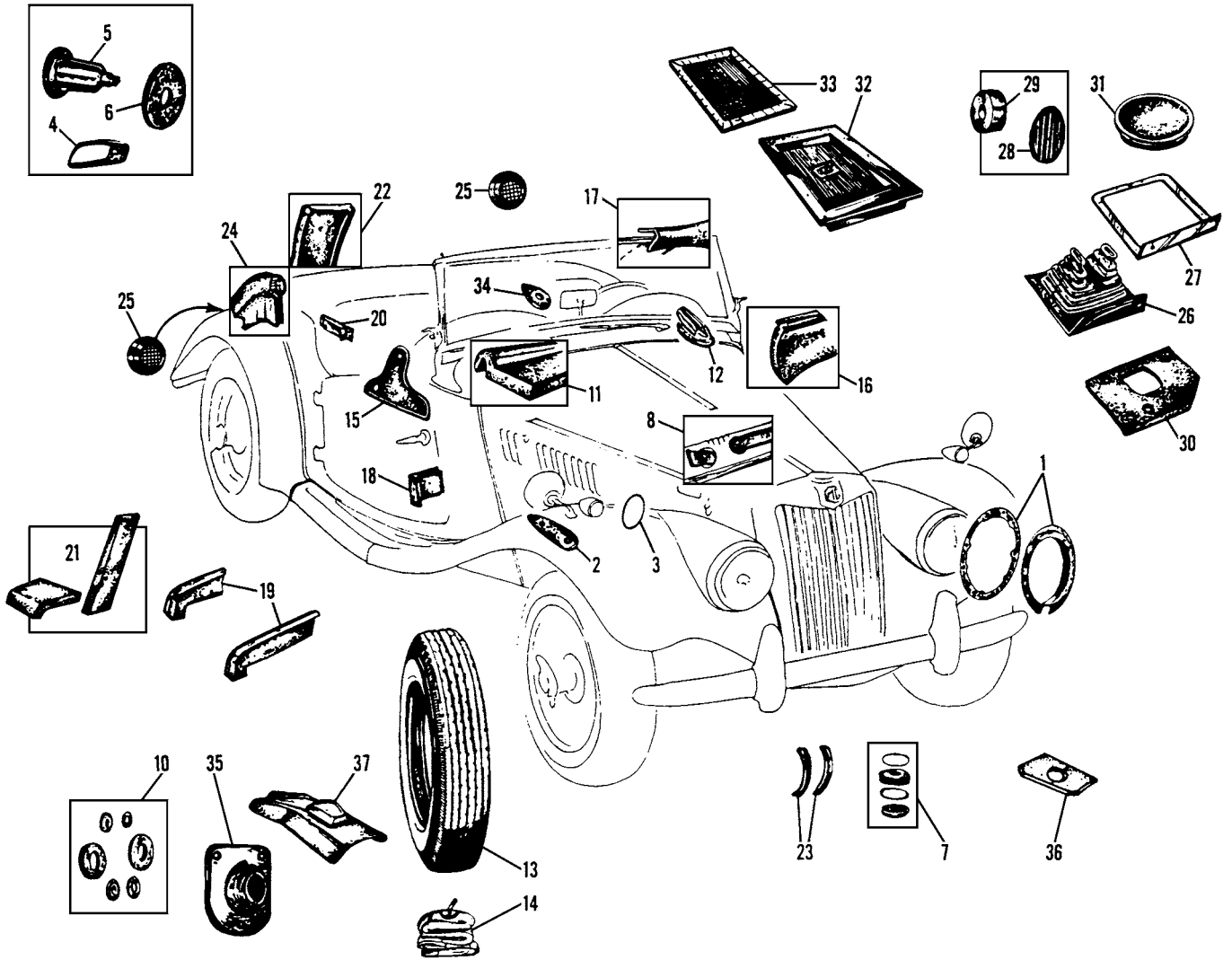
ill.	Part Number	Price £ea.	Description	Req.	Details
Rubber Fittings, TA-TB & TC					
1	281-098	£20.10	SEAL SET, headlamp	1	2 seals
2	281-078	£3.00	PAD SET, wing to brace	1	2 pads
3	281-068	£4.85	PAD SET, parking lamp	1	2 pads
4	281-088	£2.60	RING SET, parking lamp lens	1	2 rings
5	281-048	£4.80	PAD SET, headlamp bracket to wing	1	2 pads
6	281-058	£5.00	PAD SET, wing to brace	1	2 pads
7	281-648	£12.80	MOUNTING SET, radiator, 8 pieces	1	includes steel rings
8	281-018	£4.90	FERRULE SET, radiator shell	1	2 ferrules
9	408-255	£23.40	STRIP, radiator shell lacing	1	canvas
10	280-020	£1.90	SEAL, radiator cap	1	
12	1B8347	£1.70	BUSH, wing brace	4	
	320-610	£3.90	BOLT, for above	2	
	AJD8106Z	£0.47	NUT, for above	2	
	AHH6006	£6.10	SPACER, for above	2	
13	281-118	£7.50	CORNER SET, bonnet, 8 pieces	1	includes rivets
14	406-828	£29.40	BUFFER PLATE SET, bonnet	1	4 buffers & plates
15	281-128	£10.20	GROMMET SET, bulkhead	1	6 grommets
16	280-918	£53.60	COWL SET, bulkhead to body	1	5 pieces
17	280-250	£24.00	STRIP, cowl to bonnet	1	
18	280-380	£11.40	EXCLUDER	1	bulkhead to steering column
19	454-700	£225.00	TYRE, 4.50 x 19", Ensign	5	original tyres
20	454-410	£76.13	INNER TUBE, 4.50 x 19"	5	
22	281-178	£6.40	PAD SET, windscreen bracket to cowl	1	2 pads
23	280-290	£15.60	STRIP, windscreen frame to cowl	1	under windscreen
24	280-300	£13.10	STRIP, windscreen glass to frame	1	

ill.	Part Number	Price £ea.	Description	Req.	Details
25	280-270	£1.16	GROMMET, windscreen wiper wire	1	in cowl
26	281-198	£6.00	BUFFER SET, door to body	1	4 buffers
27	281-218	£7.70	PAD SET, wing to running board	1	2 pads
28	281-008	£65.00	STRIP SET, running board	1	TA & TB
			(6 pieces aluminium & rubber).		
	281-238	£50.50	STRIP SET, running board	1	TC
			(4 pieces aluminium & rubber).		
	280-059	£22.80	BOLT & NUT SET, running board strips	1	TA-TC
29	281-208	£5.50	BUFFER SET, hood bow	1	2 buffers
30	281-308	£1.80	BUSH SET, fuel tank to wing	1	2 bushes
31	281-298	£18.10	STRIP SET, fuel tank strap	1	2 strips
32	280-928	£71.10	TANK SET, tank to body & chassis	1	5 pieces
33	249-120	£60.00	BLACK PIPING SET, 9 yards	1	
	249-220	£60.00	RED PIPING SET, 9 yards	1	
	249-320	£60.00	GREEN PIPING SET, 9 yards	1	exterior set
	249-370	NCA	CREAM PIPING SET, 9 yards	1	
	249-250	£60.00	BISCUIT PIPING SET, 9 yards	1	
35	281-288	£208.80	GEARBOX COVER	1	
36	280-470	£5.60	SNUG, gearshift lever	1	
37	280-420	£15.60	FUME EXCLUDER	1	brake & clutch pedal
38	406-700	£11.60	RETAINING PLATE, fume excluder	1	steel
39	280-440	£3.30	PAD, brake & clutch pedal	2	
40	408-680	£19.60	ROLLER, accelerator pedal	1	hard plastic
41	408-685	£19.90	BUSH, for roller	1	steel
42	280-995	£25.20	HEEL MAT, on driver's floor	1	as original
43	280-700	NCA	PAD, under battery	1	TC



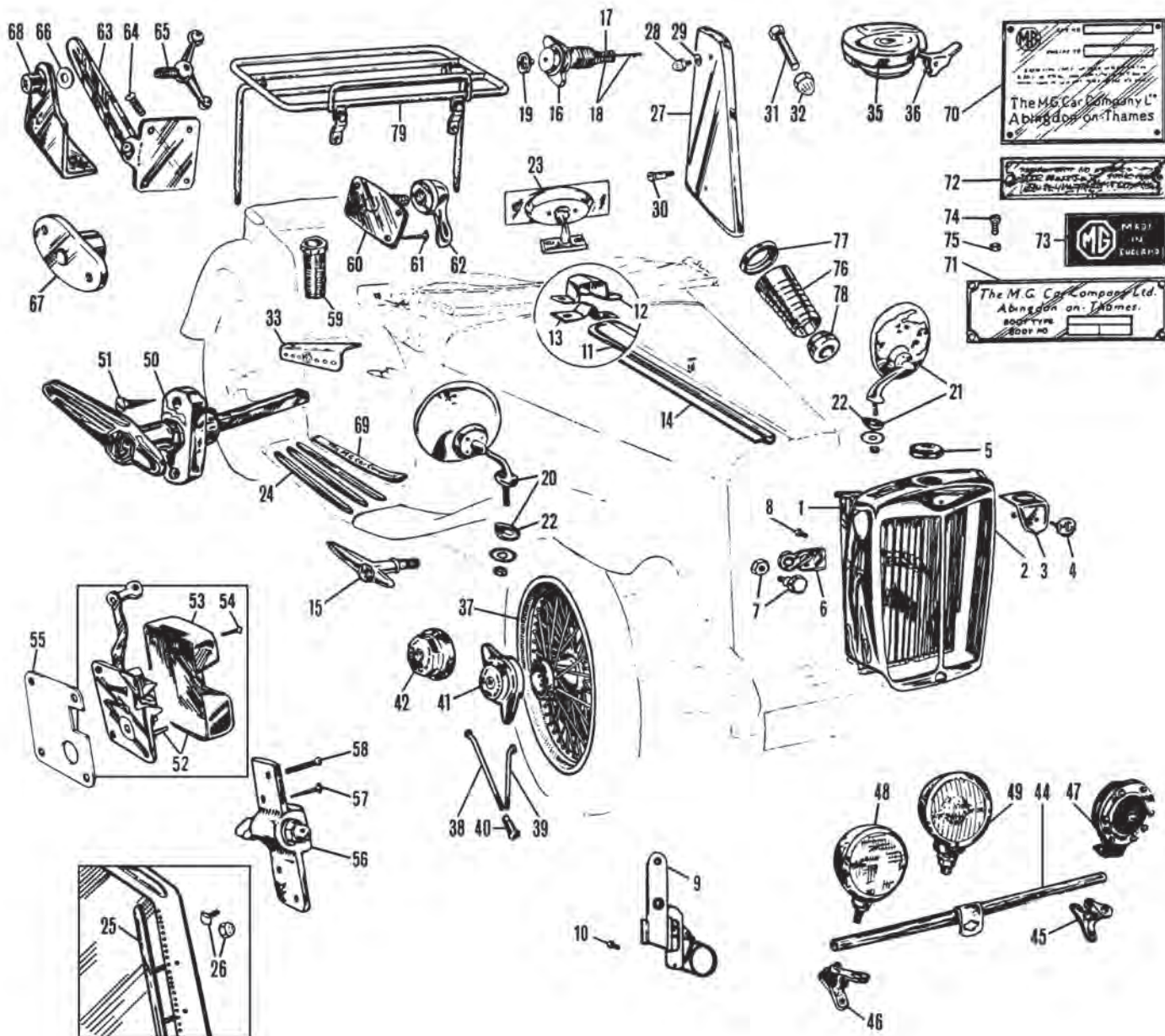
ill.	Part Number	Price £ea.	Description	Req.	Details
Rubber Fittings, TD					
1	281-068	£4.85	PAD SET, parking lamp	1	2 pads
2	281-088	£2.60	RING SET, parking lamp	1	2 rings
3	57H5368	£3.90	SEAL, number plate lamp	1	
4	280-510	£11.60	BODY, rectangular tail lamp	2	To (c) 21302
6	37H5481	£3.50	BODY, round tail lamp	2	From (c) 21303
7	281-338	£6.60	PAD SET, round lamp to wing	1	
8	281-048	£4.80	PAD SET, headlamp bracket to wing	1	2 pads
9	281-648	£12.80	MOUNTING SET, radiator, 8 pieces	1	includes steel rings
10	281-018	£4.90	FERRULE SET, radiator shell	1	2 ferrules
11	408-255	£23.40	STRIP, radiator shell lacing	1	
12	280-020	£1.90	SEAL, radiator cap	1	
14	281-118	£7.50	CORNER SET, bonnet, 8 pieces	1	includes rivets
15	406-828	£29.40	BUFFER PLATE SET, bonnet	1	4 buffers & plates
16	281-138	£16.30	GROMMET SET, bulkhead	1	6 grommets
	600395	£1.60	GROMMET, temperature gauge	1	
17	280-250	£24.00	STRIP, cowl to bonnet	1	
18	454-710	NCA	TYRE, 5.50 x 15", Dunlop	5	similar to
19	454-420	£33.60	INNER TUBE, 5.50 x 15", Dunlop	5	original tyres
20	281-188	£6.50	PAD SET, windscreen bracket to cowl	1	2 pads
21	280-290	£15.60	STRIP, windscreen frame to cowl	1	under windscreen
22	280-300	£13.10	STRIP, windscreen glass to frame	1	
23	280-270	£1.16	GROMMET, windscreen wiper wire	1	in cowl
24	281-198	£6.00	BUFFER SET, door to body	1	4 buffers

ill.	Part Number	Price £ea.	Description	Req.	Details
25	281-218	£7.70	PAD SET, wing to running board	1	2 pads
26	281-248	£92.80	STRIP SET, running board	1	6 pieces, aluminium & rubber
	280-059	£22.80	BOLT & NUT SET, running board strips	1	
27	281-258	£2.60	BUSH SET, wing to running board	1	2 bushes
28	281-208	£5.50	BUFFER SET, hood bow	1	2 buffers
29	281-798	£17.80	PAD SET, fuel tank to chassis	1	4 pads
30	281-298	£18.10	STRIP SET, fuel tank strap	1	2 strips
31	37H9871M	£1.57	PACKING SET, overrider to bumper	1	8 strips
32	249-120	£60.00	BLACK PIPING SET, 9 yards	1	} exterior set
	249-220	£60.00	RED PIPING SET, 9 yards	1	
	249-320	£60.00	GREEN PIPING SET, 9 yards	1	
	249-370	NCA	CREAM PIPING SET, 9 yards	1	
	249-250	£60.00	BEIGE PIPING SET, 9 yards	1	
33	280-420	£15.60	FUME EXCLUDER	1	brake & clutch pedal
34	406-700	£11.60	RETAINING PLATE, pedal excluder	1	steel
35	ACA5359	£2.30	PAD, brake & clutch pedal	2	
36	408-690	£15.90	ROLLER, accelerator pedal	1	hard plastic
37	280-430	£6.40	PAD, floorboard to pedal box	1	
38	ACA5300	£3.70	PLUG, master cylinder inspection	1	LHD From (c) 4237, all RHD
39	280-400	£25.50	FOOTWELL, driver's floor	1	} LHD To (c) 4236, all RHD
40	CRM2001X	£17.50	HEEL MAT, driver's floor	1	
41	280-260	£2.05	PAD, interior mirror	1	
42	282-670	£14.20	PAD, under floor & around roll bar	2	
43	454-040	£47.00	FUME EXCLUDER	1	steering column, leather
44	282-680	£43.50	RUBBER SNUG	1	gearshift remote control



ill.	Part Number	Price £ea.	Description	Req.	Details
Rubber Fittings, TF					
1	281-108	£14.60	SEAL SET, headlamp	1	4 seals
2	281-068	£4.85	PAD SET, parking lamp	1	2 pads
3	281-088	£2.60	RING SET, parking lamp	1	2 rings
4	57H5368	£3.90	SEAL, number plate lamp	1	
5	37H5481	£3.50	BODY, tail lamp	2	
6	281-338	£6.60	PAD SET, tail lamp to wing	1	2 pads
7	281-648	£12.80	MOUNTING SET, radiator, 8 pieces	1	includes steel rings
8	280-010	£18.30	STRIP, radiator shell lacing	1	
10	281-138	£16.30	GROMMET SET, bulkhead	1	6 grommets
11	280-250	£24.00	STRIP, cowl to bonnet	1	
12	280-280	£17.60	GROMMET, wiper shaft	2	single grommet
	600395	£1.60	GROMMET, temperature gauge	1	
13	454-710	NCA	TYRE, 5.50 x 15", Dunlop	5	similar to
14	454-420	£33.60	INNER TUBE, 5.50 x 15", Dunlop	5	original tyre
15	281-188	£6.50	PAD SET, windscreen bracket to cowl	1	2 pads
16	280-290	£15.60	STRIP, windscreen frame to cowl	1	under windscreen
17	280-300	£13.10	STRIP, windscreen glass to frame	1	
18	281-198	£6.00	BUFFER SET, door to body	1	4 buffers
19	281-218	£7.70	PAD SET, wing to running board	2	2 pads
20	281-208	£5.50	BUFFER SET, rear side-screen to hood	1	2 buffers
21	281-798	£17.80	PAD SET, fuel tank to chassis	1	4 pads
22	281-298	£18.10	STRIP SET, fuel tank strap	1	2 strips
23	37H9871M	£1.57	PACKING SET, overrider to bumper	1	8 strips

ill.	Part Number	Price £ea.	Description	Req.	Details
24	249-120	£60.00	BLACK PIPING SET, 9 yards	1	exterior set
	249-220	£60.00	RED PIPING SET, 9 yards	1	
	249-320	£60.00	GREEN PIPING SET, 9 yards	1	
	249-370	NCA	CREAM PIPING SET, 9 yards	1	
	249-250	£60.00	BEIGE PIPING SET, 9 yards	1	
25	144-600	£18.90	REFLECTOR	2	
26	280-420	£15.60	FUME EXCLUDER	1	brake & clutch pedal
27	406-700	£11.60	RETAINING PLATE, pedal excluder	1	steel
28	ACA5359	£2.30	PAD, brake & clutch pedal	2	
29	408-690	£15.90	ROLLER, accelerator pedal	1	hard plastic
30	280-430	£6.40	PAD, floorboard to pedal box	1	
31	ACA5300	£3.70	PLUG, master cylinder inspection	1	LHD only
32	280-400	£25.50	FOOTWELL, driver's floorboard	1	RHD only
33	CRM2001X	£17.50	HEEL MAT, driver's floorboard	1	
34	280-260	£2.05	PAD, interior mirror	1	
35	454-040	£47.00	FUME EXCLUDER	1	steering column, leather
36	282-670	£14.20	PAD, under floor & around roll bar	2	
37	282-680	£43.50	RUBBER SNUG	1	gearshift remote control
	AAA260C	£3.10	PAD SET, fuel pump	1	2 pads



ill.	Part Number	Price £ea.	Description	Req.	Details
Exterior Body Fittings & Chrome Trim, TA-TB & TC					
Radiator Shell & Grille					
1	454-170	£91.50	SLATS, radiator shell, primed	1	
2	454-757	NCA	RADIATOR SHELL	1	
	SF604041	£0.50	BOLT, radiator shell	8	
3	202-050	NCA	FALSE NOSE, radiator shell	1	brown & cream
4	E103	£32.40	MEDALLION, radiator shell	1	
5	202-010	£60.60	RADIATOR CAP	1	
6	202-030	£39.70	BRACKET, headlamp	2	through radiator shell
7	321-288	£16.00	BOLT & NUT SET, outer bracket	2	1 of each, chrome
8	AJD6155Z	£0.89	BOLT, inner bracket, not chrome	4	

Note: Additional radiator parts are listed on page 11.

Bonnet Items & Miscellaneous Body Fittings

9	406-855	£34.20	BRACKET, bonnet catch, RH	2] cadmium plated
	406-860	£34.20	BRACKET, bonnet catch, LH	2	
10	158-018	£7.20	SCREW, bonnet catch	a/r	
11	453-050	£120.90	STRIP, centre bonnet	1	chrome plated brass
12	407-200	£12.60	OUTER SUPPORT, bonnet strip	2	chrome
13	407-300	£1.80	INNER SUPPORT, bonnet strip, steel	2	
14	451-675	£45.70	HINGE PLATE, welded to bonnet	2	
15	406-850	£33.60	BONNET HANDLE, RH	2	

ill.	Part Number	Price £ea.	Description	Req.	Details	
	406-840	£33.60	BONNET HANDLE, LH	2		
	16	200-250	£88.00	WHEEL SPINNER, spare wheel	1	does not incl. key & spring
	17	200-265	£3.70	SPRING	1	
	18	200-255	£36.50	KEY & SPRING, with collar	1	
	19	AAA523	£70.70	MEDALLION, spare wheel spinner	1	
	20	WM1904	£16.60	MIRROR, convex lens, wing, RH	1] reproduction of Lucas period
	21	WM1905	£16.60	MIRROR, convex lens, wing, LH	1	
	22	280-140	£2.30	PAD, wing mirror, rubber	2	accessory
	23	633-570	£124.90	DASH MIRROR, rear view	1	period accessory
	24	281-008	£65.00	STRIP SET, running board, 12 pieces	1	TA & TB
		£50.50	STRIP SET, running board, 8 pieces	1	TC	
		NCA	BOLT & NUT SET, running board strips	1	TA-TC	
	25	252-098	NCA	STRIP SET, side screen, incl. hardware	1	TA & TB
] with unfinished ends
] TC
] with spoon ends
	26	252-008	£19.20	BOLT & NUT SET, side screen strip	1	contains 63 of each
	27	451-638	£175.50	END PANEL SET, fuel tank	1	2 end panels
	28	320-830	£4.70	ACORN BOLT, fuel tank end panel	4	
	29	WC106042	£1.90	WASHER, end panel acorn bolt	4	
	30	320-840	£19.00	BOLT, rear wing to fuel tank	2	not chrome
	31	320-400	£1.90	BOLT, fuel tank strap mounting	2	not chrome
	32	311-160	£4.00	ACORN NUT, fuel tank strap bolt	2	
	33	229-655	NCA	DOOR TOP ARMREST SET	1	chrome, accessory
	35	407-090	£83.95	FUEL CAP, original	1	
	36	407-105	£23.10	RELEASE LEVER, fuel cap	1	

ill.	Part Number	Price £ea.	Description	Req.	Details
Wire Wheels					
37	454-607	£340.00	WIRE WHEEL, painted, outer laced 19"	5	TA To (c) 1769
	454-600	£340.00	WIRE WHEEL, painted	5	TA From (c) 1770 & TB
	454-795	£470.00	WIRE WHEEL, chrome	5	TC, centre laced 19"
38	200-010	£9.90	SPOKE, standard, long-outer	80	TA From (c) 1770 & TB,
39	200-020	£9.90	SPOKE, standard, short-inner	160	TC & centre laced 19"
40	7H1709	£0.65	NIPPLE, stainless steel	a/r	
41	AHH7317A	£27.00	WHEEL SPINNER, 2-eared, RH	4	with MG motif
	AHH7318A	£27.00	WHEEL SPINNER, 2-eared, LH	4	
42	AHH7315A	£27.50	WHEEL SPINNER, octagonal, RH	4	
	AHH7316A	£27.50	WHEEL SPINNER, octagonal, LH	4	

Badge Bar

44	451-070	£60.80	BADGE BAR	1	
45	406-310	£23.10	BRACKET, badge bar, LH	1	cast iron
	AJD6108Z	£1.60	BOLT for above	2	
46	406-320	£23.10	BRACKET, badge bar, RH	1	cast iron
	AJD6108Z	£1.60	BOLT for above	2	
47	165-900	£193.40	HORN	1	exact reproduction of the TC original
48	169-020	£522.00	FOG LAMP (Exact reproduction of Lucas FT27).	1	TA-TB & TC To (c) 4738
	146-300	£4.50	NUT, lamp fixing	1	
49	169-000	NCA	FOG LAMP (Exact reproduction of Lucas SFT462).	1	TC From (c) 4739
	146-300	£4.50	NUT, lamp fixing	1	

Handles/Locks, ID Plates & Miscellaneous Fittings

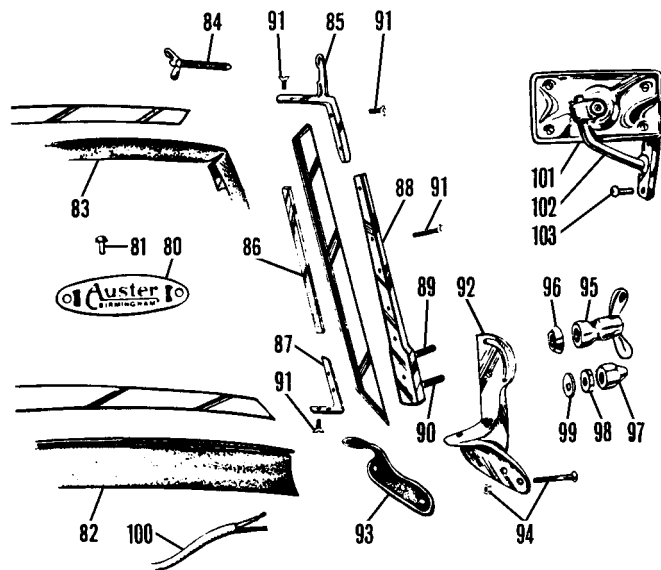
50	401-490	£36.00	EXTERIOR HANDLE, RH	1	
	401-480	£36.00	EXTERIOR HANDLE, LH	1	
51	323-540	£1.30	SCREW, handle securing	4	
52	401-200	£80.00	DOOR LOCK, RH	1	includes cover and screws
	401-100	£80.00	DOOR LOCK, LH	1	
53	401-250	£15.60	COVER, door lock, RH	1	
	401-150	£15.60	COVER, door lock, LH	1	
54	323-718	£6.90	SCREW SET, door lock cover	1	4 screws
55	401-170	£8.20	SHIM, door lock, 1/16"	a/r	
56	401-308	£48.00	STRIKER PLATE & WEDGE	2	includes screws
	401-093	£16.20	STRIKER, wedge, door lock	2	
57	323-540	£1.30	WOOD SCREW, striker securing	4	
58	323-390	£3.60	MACHINE SCREW, striker securing	4	
59	405-400	£7.00	SOCKET, side screen, in door top	2	
60	408-615	£21.60	PLATE, side screen mounting	4	TA & TB
	405-200	£12.80	PLATE, side screen mounting	4	TC, illustrated
61	323-540	£1.30	WOOD SCREW, side screen plate	12	TA-TB & TC
	323-390	£3.60	MACHINE SCREW, side screen plate	4	TC
62	MB19331	£7.60	NUT, side screen plate	4	
63	406-110	£41.40	BRACKET, seat back	2	
64	323-090	£0.90	SCREW, seat back bracket	8	
65	406-100	£12.20	WING BOLT, seat adjusting	2	
66	324-610	£0.41	FIBRE WASHER	2	
67	408-625	£68.30	BRACKET, wheel arch, RH	1	TA & TB
	408-635	£68.30	BRACKET, wheel arch, LH	1	
68	406-130	£62.50	BRACKET, RH wheel arch	1	TC
	406-120	£62.50	BRACKET, LH wheel arch	1	
69	451-398	£48.20	THRESHOLD PLATE SET, pair (2 plates etched with 'The MG Car Company Ltd').	1	
70	408-405	£5.50	CHASSIS ID PLATE	1	TA
	408-415	£4.70	CHASSIS ID PLATE	1	TB
	408-700	£7.50	CHASSIS ID PLATE	1	TC
71	408-730	£5.50	BODY ID PLATE	1	
72	408-780	£5.70	PATENT NUMBER PLATE	1	
73	408-760	£4.70	'MADE IN ENGLAND' PLATE	1	
74	FAS3	£0.73	SCREW, brass, ID plates	a/r	
75	FAS4	£0.72	NUT, ID plate screw	a/r	
76	1D6163	£31.60	SPRING COVER, steering column	1	TA late, TB & TC
77	108611	£9.20	CAP, spring cover	1	spline fitting type
78	262-290	£24.20	WASHER, spring cover, not chrome	1	wheel only

Boot Rack, (Factory Style)

79	244-400	£321.30	BOOT RACK	1	chrome
	244-410	£253.60	BOOT RACK	1	stainless steel

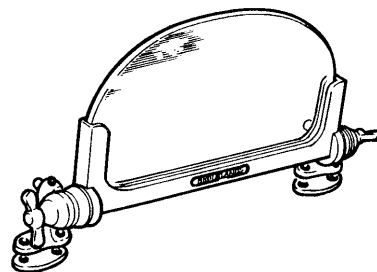
Windscreen Components

80	CRCP329	£3.10	'AUSTER' NAME PLATE	1	
81	FAS1	£0.55	RIVET, name plate securing	2	
82	280-290	£15.60	STRIP, frame to cowl, rubber	1	
83	280-300	£13.10	STRIP, glass to frame, rubber	1	
84	AAA5166	£10.00	WING BOLT, hood to windscreen	2	



ill.	Part Number	Price £ea.	Description	Req.	Details
85	408-600	£18.60	TOP CORNER BRACKET, LH	1	drilled
	408-610	£18.60	TOP CORNER BRACKET, RH	1	
	408-607	£11.40	TOP CORNER BRACKET, LH	1	not drilled
	408-617	£14.70	TOP CORNER BRACKET, RH	1	
86	408-820	£12.00	THREADED STRIP, side windscreen	2	
87	408-620	£14.90	BRACKET, bottom corner	2	
88	408-235	NCA	SIDE SUPPORT, LH	1	
	408-245	NCA	SIDE SUPPORT, RH	1	
89	408-285	£3.60	STUD, upper	2	windscreen side support
90	408-295	£7.80	STUD, lower	2	
91	323-908	£23.20	SCREW SET, windscreen frame	1	28 screws
92	408-655	NCA	COWL BRACKET, LH	1	
	408-665	NCA	COWL BRACKET, RH	1	
93	281-178	£6.40	PAD SET, bracket to cowl	1	2 rubber pads
94	323-778	£14.50	SCREW SET, bracket to cowl	1	6 screws & nuts
95	225-400	£13.40	WING NUT	2	
96	408-660	£3.60	CONE SPACER, wing nut	2	
97	311-170	£6.90	DOME NUT, side support	2	
98	311-180	£1.62	LOCK NUT, dome nut	2	
99	408-650	£2.90	'D' WASHER, lock nut	2	
100	162-020	£13.40	WIPER 'WIRE', wiper motor, 8'	1	
	280-270	£1.16	GROMMET, wiper wire	1	
101	407-350	£243.20	MIRROR, windscreen, RH	1	with bracket
	407-347	£173.50	MIRROR HEAD	1	TC type without medallion
	407-357	£16.10	GLASS MIRROR	1	convex
102	407-400	£71.10	BRACKET, for mirror, RH	1	
	407-500	£71.10	BRACKET, for mirror, LH*	1	optional
103	323-090	£0.90	SCREW	2	

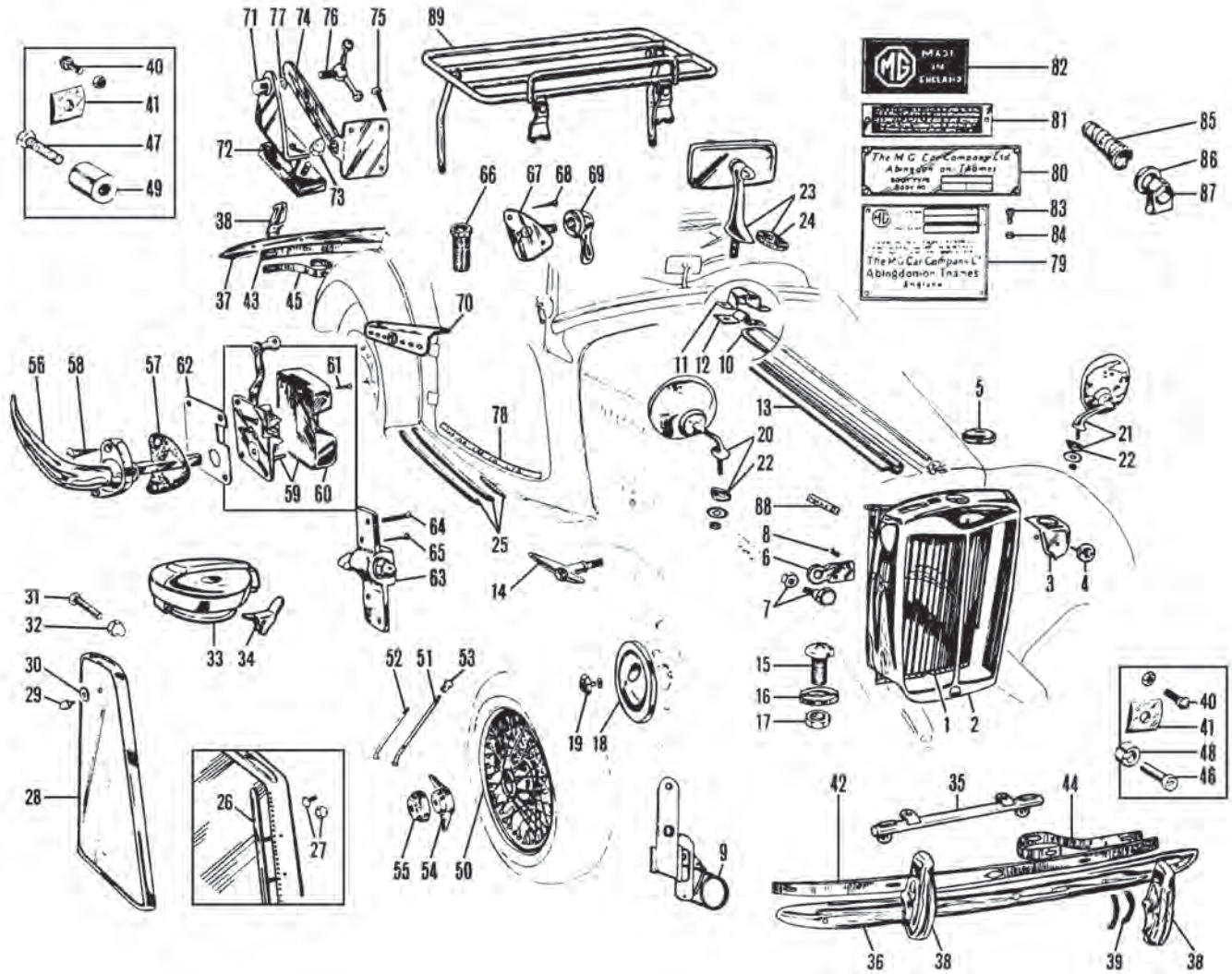
*Note: See page 57 for alternative LH mirror bracket, (that does not require drilling).



Brooklands Type Aero-Screens

This period style aero-screen incorporates a polished cast aluminium frame, chrome plated brass fittings and laminated safety glass. While similar to factory aero-screens they do not fit directly onto the T Series scuttle, mounting brackets are therefore supplied, sold individually.

700896	£93.00	AERO-SCREEN KIT, reproduction	2
AD606063	£0.47	SCREW, foot to scuttle	8



ii. Part Number Price £ea. Description Req. Details

Exterior Body Fittings & Chrome Trim, TD

Radiator Shell & Grille

1	454-170	£91.50	SLATS, radiator shell, primed	1	
2	454-757	N/A	RADIATOR SHELL	1	
3	202-050	N/A	FALSE NOSE, radiator shell	1	
4	E103	£32.40	MEDALLION, radiator shell	1	brown & cream
5	202-010	£60.60	RADIATOR CAP	1	
6	202-030	£39.70	BRACKET, headlamp	2	through radiator shell
7	321-288	£16.00	BOLT & NUT SET, outer bracket	2	1 of each, chrome
8	AJD6155Z	£0.89	BOLT, inner bracket, not chrome	4	

*Note: Additional radiator parts are listed on page 11.

Bonnet Items & Miscellaneous Body Fittings

9	406-855	£34.20	BRACKET, bonnet catch, RH	2	
	406-860	£34.20	BRACKET, bonnet catch, LH	2	
10	453-050	£120.90	STRIP, centre bonnet	1	chrome plated brass
11	407-200	£12.60	OUTER SUPPORT, bonnet strip	2	chrome
12	407-300	£1.80	INNER SUPPORT, bonnet strip	2	steel
13	451-675	£45.70	HINGE PLATE, welded to bonnet	2	
14	406-850	£33.60	BONNET HANDLE, RH	2	
	406-840	£33.60	BONNET HANDLE, LH	2	
15	323-160	£3.35	SCREW, splash apron	6	
16	324-455	£0.77	WASHER, splash apron screw	6	
17	AJD8105Z	£0.30	NUT, splash apron screw	a/r	
18	ACH8304	£29.30	HUB CAP, includes medallion	5	original type
	200-235	£25.20	HUB CAP, with hole	5	less medallion
19	200-277	£8.30	MEDALLION	5	
20	WM1904	£16.60	MIRROR, convex lens, wing, RH	1	reproduction of
21	WM1905	£16.60	MIRROR, convex lens, wing, LH	1	Lucas
22	280-140	£2.30	PAD, wing mirror, rubber	2	period accessory
23	165-090	£49.80	DASH MIRROR, rear view	1	
24	280-260	£2.05	PAD, dash mirror, rubber	1	

iii. Part Number Price £ea. Description Req. Details

25	281-248	£92.80	STRIP SET, running board	1	6 pieces aluminium & rubber
	280-059	£22.80	BOLT & NUT SET, running board strips	1	
26	252-208	£159.60	STRIP SET, side screen	1	2 bow hoods To (c) 20695 RHD (c) 20373 LHD, with 2 free standing metal bows
	252-308	£159.60	STRIP SET, side screen	1	3 bow hoods From (c) 20696 RHD (c) 20374 LHD, with 3 free-standing metal bows
27	252-018	£42.30	BOLT & NUT SET, side screen strip	1	58 of each
28	451-648	£229.90	END PANEL SET, fuel tank	1	2 end panels
29	320-830	£4.70	ACORN BOLT, fuel tank end panel	4	
30	WC106042	£1.90	WASHER, end panel acorn bolt	4	
31	320-400	£1.90	BOLT, fuel tank strap mounting	4	not chrome
32	311-160	£4.00	ACORN NUT, fuel tank strap bolt	4	
33	407-090	£83.95	FUEL CAP	1	TC type
34	407-105	£23.10	RELEASE LEVER, fuel cap	1	
35	451-060	£77.90	BADGE BAR	1	

Bumpers & Fittings

36	AAA4936	£165.60	BUMPER FACE BAR, front	1	
37	AAA4941	£157.50	BUMPER FACE BAR, rear	1	
38	27H9612	£64.50	OVERRIDE, front & rear	4	with bolts
39	37H9871M	£1.57	PACKING SET, override	1	8 pieces
40	554700K	£1.70	BOLT, bumper, with nut	5	
41	ACC5811	£2.50	PACKING, bumper to back bar	10	4 front - 6 rear
42	AAA4937	£42.60	BACK BAR, front bumper	1	
43	453-060	£39.00	BACK BAR, rear bumper	1	
44	454-020	£48.20	BRACKET, front bumper	2	
45	454-030	£45.00	BRACKET, rear bumper	2	
46	320-720	£4.50	BOLT, front bracket to chassis	2	
47	320-730	£4.10	BOLT, rear bracket to chassis	2	
48	400-100	£7.00	SPACER, front bracket to chassis	2	
49	400-200	£10.20	SPACER, rear bracket to chassis	2	

ill. Part Number Price £ea. Description Req. Details

Wire Wheel Conversion Kit

The following wire wheel conversion kits are designed to convert your disc wheeled TD to wire wheels. Each kit includes four splined hubs, four brake drums, one spare wheel adaptor with spinner (to convert spare wheel carrier to wire wheels), and all the studs, nuts, etc... for an easy installation. These kits will enhance the appearance of any TD and are identical to the original factory option for the TF.

Note: Our conversion kits do not include wheel or spinners. Parts required in addition to the conversion kit are listed here.

111-518	£852.00	WIRE WHEEL CONVERSION KIT	1	
---------	---------	---------------------------	---	--

Wire Wheels				
50	WWP450	£180.00	WIRE WHEEL, painted	5 } 48 spoke
	WWC450	£254.20	WIRE WHEEL, chrome	5 }
	WWP452	£175.15	WIRE WHEEL, painted	5 } 60 spoke
	WWC452	£247.75	WIRE WHEEL, chrome	5 }
51	7H1805	£4.80	SPOKE, long-outer, standard	80 } 48 spoke
	7H1805CP	£8.70	SPOKE, long-outer, chrome	80 }
	17H8619	£4.80	SPOKE, long-outer, standard	100 } 60 spoke
	17H8619CP	£8.70	SPOKE, long-outer, chrome	100 }
52	7H1806	£4.80	SPOKE, short-inner, standard	160 } 48 spoke
	7H1806CP	£8.70	SPOKE, short-inner, chrome	160 }
	17H8620	£4.80	SPOKE, short-inner, standard	200 } 60 spoke
	17H8620CP	£8.70	SPOKE, short-inner, chrome	200 }
53	7H1709	£0.65	NIPPLE, stainless steel	a/r
	37H3651	£1.20	NIPPLE, chrome	a/r
54	AHH7317A	£27.00	WHEEL SPINNER, 2-eared, RH	4 }
	AHH7318A	£27.00	WHEEL SPINNER, 2-eared, LH	4 } with MG motif
55	AHH7315A	£27.50	WHEEL SPINNER, octagonal, RH	4 }
	AHH7316A	£27.50	WHEEL SPINNER, octagonal, LH	4 }

Handles/Locks, ID Plates & Miscellaneous Fittings

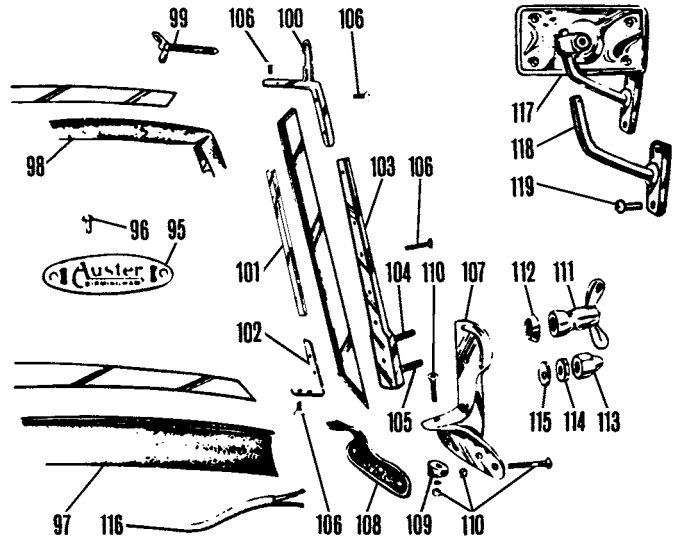
56	401-657	£34.60	EXTERIOR HANDLE	2	
57	401-634	£1.70	GASKET, exterior handle	2	
58	323-530	£1.30	SCREW, handle securing	4	
59	401-200	£80.00	DOOR LOCK, RH	1	} includes cover and screws
	401-100	£80.00	DOOR LOCK, LH	1	
60	401-250	£15.60	COVER, door lock, RH	1	
	401-150	£15.60	COVER, door lock, LH	1	
61	323-718	£6.90	SCREW SET, door lock cover	1	4 screws
62	401-170	£8.20	SHIM, door lock, 1/16"	a/r	
63	401-408	£48.00	STRIKER PLATE & WEDGE	2	includes screws
	401-093	£16.20	STRIKER, wedge, door lock	2	
64	AJD2246	£0.70	MACHINE SCREW, striker securing	4	
65	323-530	£1.30	WOOD SCREW, striker securing	4	
66	405-400	£7.00	SOCKET, side screen, in door top	2	
67	AAA5154	£8.80	PLATE, side screen mounting	4	
68	323-530	£1.30	SCREW, side screen plate	12	
69	MB19331	£7.60	NUT, side screen plate	4	
70	229-655	NCA	DOOR TOP ARMREST SET, chrome	1	accessory
71	406-140	£25.50	BRACKET, wheel arch	2	
72	406-150	£8.20	PLATE, wheel arch bracket retaining	2	not chrome
73	406-160	£4.20	DOME NUT, wheel arch bracket	4	
74	406-110	£41.40	BRACKET, seat back	2	
75	AJD2246	£0.70	SCREW, seat back bracket	8	
76	406-100	£12.20	WING BOLT, seat adjusting	2	
77	324-610	£0.41	FIBRE WASHER	2	
78	451-398	£48.20	THRESHOLD PLATE SET, pair	1	
			(2 plates etched with 'The MG Car Company Ltd').		
79	CRB195	£7.20	CHASSIS ID PLATE	1	
80	408-730	£5.50	BODY ID PLATE	1	
81	408-780	£5.70	PATENT NUMBER PLATE	1	
82	408-760	£4.70	'MADE IN ENGLAND' PLATE	1	
83	FAS3	£0.73	SCREW, brass, ID plates	10	
84	FAS4	£0.72	NUT, ID plate screw	10	
85	AAA1651	£12.40	SPRING COVER, steering column	1	
86	AAA1650	£3.90	CAP, spring cover	1	
87	AAA192	£9.00	CLAMP ASSEMBLY, column	1	incl. nut, bolt & washer
88	408-200	£32.10	MEDALLION 'MARK II'	2/3	TD, MkII

Boot Rack (Factory Style)

89	244-500	£199.40	BOOT RACK, chrome	1
	244-510	£253.60	BOOT RACK, stainless steel	1
	243-705	£194.60	BOOT RACK, Runyon type	1

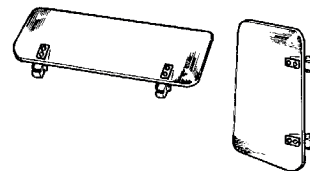
Windscreen Components

95	CRCP329	£3.10	'AUSTER' NAME PLATE	1
96	FAS1	£0.55	RIVET, name plate securing	2
97	280-290	£15.60	STRIP, frame to cowl, rubber	1



ill.	Part Number	Price £ea.	Description	Req.	Details
	98	280-300	£13.10 STRIP, glass to frame, rubber	1	
	99	AAA5166	£10.00 WING BOLT, hood to windscreen	2	
	100	408-600	£18.60 TOP CORNER BRACKET, LH	1	} drilled
		408-610	£18.60 TOP CORNER BRACKET, RH	1	
		408-607	£11.40 TOP CORNER BRACKET, LH	1	} not drilled
		408-617	£14.70 TOP CORNER BRACKET, RH	1	
	101	408-630	£25.90 THREADED STRIP, side windscreen	2	
	102	408-620	£14.90 BRACKET, bottom corner	2	
	103	408-230	NCA SIDE SUPPORT, LH	1	
		408-240	NCA SIDE SUPPORT, RH	1	
	104	408-285	£3.60 STUD, upper, windscreen side support	2	
	105	408-295	£7.80 STUD, lower, windscreen side support	2	
	106	323-918	£31.50 SCREW SET, windscreen frame	1	26 screws
	107	408-315	NCA COWL BRACKET, LH	1	
		408-325	NCA COWL BRACKET, RH	1	
	108	281-188	£6.50 PAD SET, bracket to cowl, rubber	1	2 rubber pads
	109	408-250	£8.40 SPACER, bracket to cowl	2	
	110	323-898	£11.80 SCREW SET, bracket to cowl	1	8 screws & nuts
	111	225-400	£13.40 WING NUT	2	
	112	408-660	£3.60 CONE SPACER, wing nut	2	
	113	311-170	£6.90 DOME NUT, side support	2	
	114	311-180	£1.62 LOCK NUT, dome nut	2	
	115	408-650	£2.90 'D' WASHER, lock nut	2	
	116	162-020	£13.40 WIRE, wiper motor	1	
		280-270	£1.16 GROMMET, wiper wire	1	
	117	407-350	£243.20 SIDE MIRROR, windscreen, RH	1	with bracket TC style
		407-347	£173.50 MIRROR HEAD	1	TC type without medallion
		407-357	£16.10 GLASS MIRROR	1	convex
	118	407-400	£71.10 BRACKET, for mirror, RH	1	
		407-500	£71.10 BRACKET, for mirror, LH*	1	
	119	AJD2246	£0.70 SCREW	2	

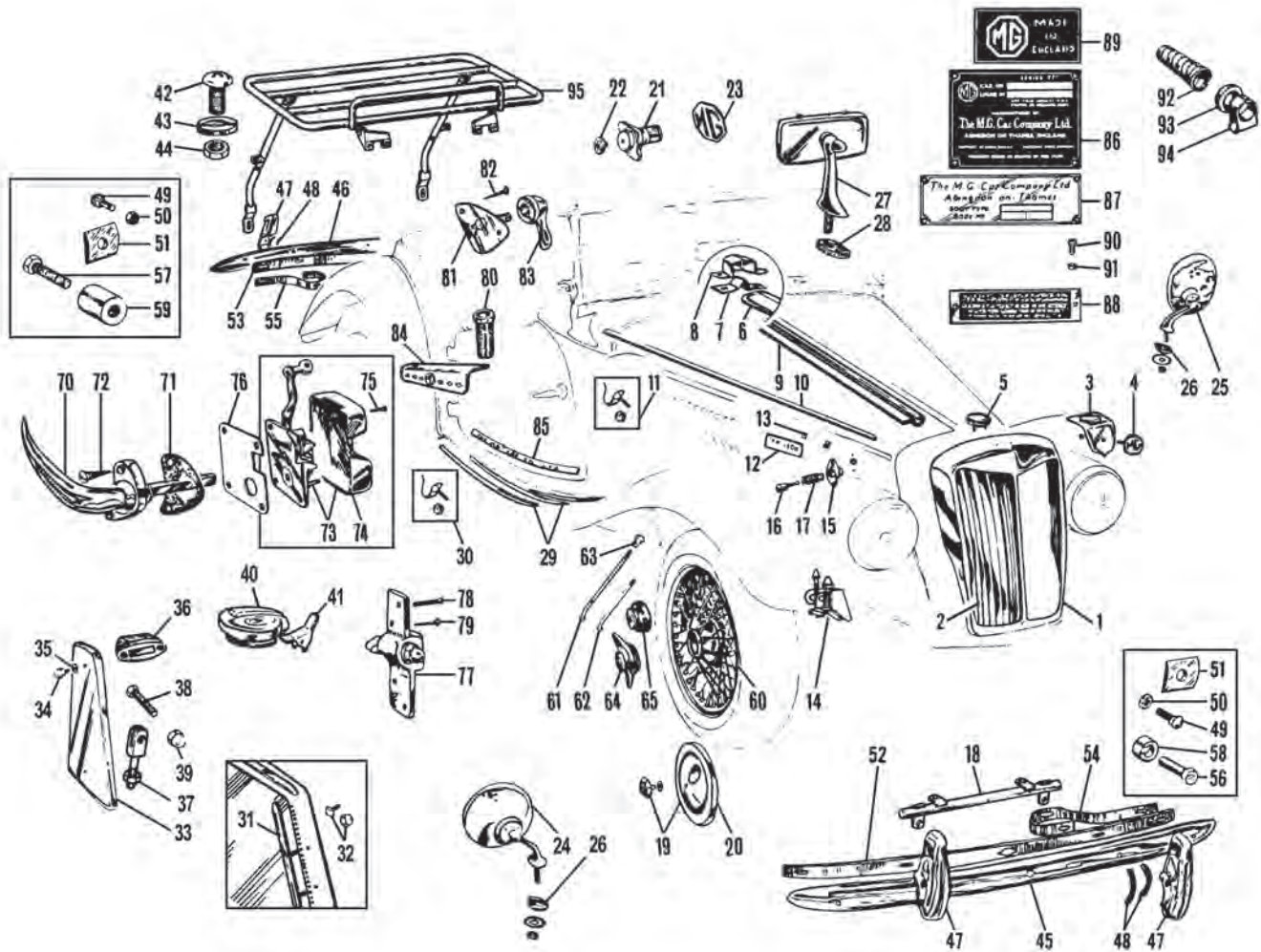
*Note: Windscreen bracket will require drilling and tapping to mount above mirrors. See page 57 for alternative LH mirror bracket (that does not require drilling).



Wind Wings & Period Sun Visors

Our classic polished clear Plexiglas wind wings eliminate side draughts to make motoring in your T Series MG more pleasurable. Sold in pairs complete with chrome mounting hardware. Installation is easy, no windscreen frame drilling required. The green tinted Plexiglas sun visors are easily fitted and require no drilling, they have chrome plated mountings similar to the wind wings and are a most useful accessory. Sold individually.

240-100	£102.20	WIND WING SET, accessory	1
240-151	£7.30	BRACKET, wind wing	a/r replacement
MM240-300	£28.70	SUN VISOR, accessory	2



ill. Part Number Price £ea. Description

Body Fittings & Chrome Trim, TF

Radiator Shell & Grille

Part Number	Price £ea.	Description	Req.	Details
1	NCA	RADIATOR SHELL	1	
2	454-148 £233.50	GRILLE SLAT SET, radiator shell	1	12 slats
	451-030 £26.40	GRILLE SLAT, radiator shell, each	12	
3	NCA	FALSE NOSE, radiator shell	1	
4	ARH900 £29.70	MEDALLION, radiator shell	1	black & white
5		RADIATOR CAP, dummy	1	

Bonnet Items & Miscellaneous Body Fittings

Part Number	Price £ea.	Description	Req.	Details
6	453-050 £120.90	STRIP, centre bonnet	1	chrome plated brass
7	407-200 £12.60	INNER SUPPORT, bonnet strip	2	steel
8	407-300 £1.80	OUTER SUPPORT, bonnet strip	2	chrome
9	451-675 £45.70	HINGE PLATE, welded to bonnet	2	
10	453-070 £73.30	STRIP, bonnet side	2	chrome plated brass
11	321-488 £9.10	STUD PLATE & NUT, bonnet strip	10	
12	408-300 £21.60	MEDALLION, 'TF 1500'	2	as fitted
13	326-510 £0.53	SPIRE CLIP, medallion attaching	4	
14	457-895 NCA	BONNET CATCH, RH	2	
	457-905 NCA	BONNET CATCH, LH	2	
15	406-950 £68.70	HOUSING, bonnet button	4	
	AJD2246 £0.70	SCREW, housing fixing	8	
	AJD8012Z £0.30	NUT, housing fixing	8	
16	406-955 £49.70	BUTTON, bonnet	4	
17	329-090 £5.80	SPRING, for button	4	
18	451-060 £77.90	BADGE BAR	1	
19	ACH8304 £29.30	HUB CAP, includes medallion	5	original type
	200-235 £25.20	HUB CAP, with hole	5	less medallion
20	200-277 £8.30	MEDALLION	5	
21	200-260 £88.00	WHEEL SPINNER, spare wheel	1	
22	ARH900 £29.70	MEDALLION, spare wheel spinner	1	
23	AAA5021 NCA	MEDALLION, spare wheel	1	steel wheels
24	WM1904 £16.60	MIRROR, convex lens, wing, RH	1	reproduction of
25	WM1905 £16.60	MIRROR, convex lens, wing, LH	1	Lucas

ill. Part Number Price £ea. Description

Bumpers & Fittings

Part Number	Price £ea.	Description	Req.	Details
26	280-140 £2.30	PAD, wing mirror, rubber	2	period accessory
27	165-090 £49.80	DASH MIRROR, rear view	1	
28	280-260 £2.05	PAD, dash mirror, rubber	1	
29	451-745 £171.20	STRIP SET, running boards, set of 6	1	chrome-plated brass
30	AHH6360 £0.90	STUD & NUT, running board strips	26	
31	252-408 £159.60	STRIP SET, side screen, complete	1	stainless steel
32	252-018 £42.30	BOLT & NUT SET, side screen strip	1	58 of each
33	451-658 £181.60	END PANEL SET, fuel tank	1	2 end panels
34	320-830 £4.70	ACORN BOLT, fuel tank end panel	4	
35	WC106042 £1.90	WASHER, end panel acorn bolt	4	
36	407-110 £27.80	TOP BRACKET, fuel tank strap	2	chrome
37	449-005 £49.40	BOTTOM BRACKET, fuel tank strap	2	
38	AJD6216Z £1.20	BOLT, fuel tank strap mounting	4	not chrome
39	311-160 £4.00	ACORN NUT, petrol tank strap bolt	4	
40	407-090 £83.95	FUEL CAP, original type	1	
41	407-105 £23.10	RELEASE LEVER, fuel cap	1	
42	323-160 £3.35	SCREW, splash apron	2	
43	324-455 £0.77	WASHER, splash apron screw	2	
44	AJD8105Z £0.30	NUT, splash apron screw	2	
45	AAA4936 £165.60	BUMPER FACE BAR, front	1	
46	ACG5024 £182.90	BUMPER FACE BAR, rear	1	
47	27H9612 £64.50	OVERRIDE, front & rear	4	with bolts
48	37H9871M £1.57	PACKING SET, override	1	8 pieces
49	554700K £1.70	BOLT, bumper	6	
50	GHF202 £0.22	NUT, bumper bolt	6	
51	ACC5811 £2.50	PACKING, bumper to back bar	10	4 front - 6 rear
52	AAA4937 £42.60	BACK BAR, front bumper	1	
53	453-060 £39.00	BACK BAR, rear bumper	1	
54	454-020 £48.20	BRACKET, front bumper	2	
55	454-030 £45.00	BRACKET, rear bumper	2	
56	320-720 £4.50	BOLT, front bracket to chassis	2	
57	320-730 £4.10	BOLT, rear bracket to chassis	2	
58	400-100 £7.00	SPACER, front bracket to chassis	2	
59	400-200 £10.20	SPACER, rear bracket to chassis	2	

ill.	Part Number	Price £ea.	Description	Req.	Details
Wire Wheels					
60	WWP450	£180.00	WIRE WHEEL, painted	5	48 spoke
	WWC450	£254.20	WIRE WHEEL, chrome	5	
	WWP452	£175.15	WIRE WHEEL, painted	5	60 spoke
	WWC452	£247.75	WIRE WHEEL, chrome	5	
61	7H1805	£4.80	SPOKE, long-outer, standard	80	48 spoke
	7H1805CP	£8.70	SPOKE, long-outer, chrome	80	
	17H8619	£4.80	SPOKE, long-outer, standard	100	60 spoke
	17H8619CP	£8.70	SPOKE, long-outer, chrome	100	
62	7H1806	£4.80	SPOKE, short-inner, standard	160	48 spoke
	7H1806CP	£8.70	SPOKE, short-inner, chrome	160	
	17H8620	£4.80	SPOKE, short-inner, standard	200	60 spoke
	17H8620CP	£8.70	SPOKE, short-inner, chrome	200	
63	7H1709	£0.65	NIPPLE, stainless steel	a/r	
	37H3651	£1.20	NIPPLE, chrome	a/r	
64	AHH7317A	£27.00	WHEEL SPINNER, 2-eared, RH	4	with MG motif
	AHH7318A	£27.00	WHEEL SPINNER, 2-eared, LH	4	
65	AHH7315A	£27.50	WHEEL SPINNER, octagonal, RH	4	
	AHH7316A	£27.50	WHEEL SPINNER, octagonal, LH	4	

Handles/Locks, ID Plates & Miscellaneous Fittings

70	401-657	£34.60	EXTERIOR HANDLE	2	
71	401-634	£1.70	GASKET, exterior handle	2	
73	401-200	£80.00	DOOR LOCK, RH	1	includes cover & screws
	401-100	£80.00	DOOR LOCK, LH	1	
74	401-250	£15.60	COVER, door lock, RH	1	
	401-150	£15.60	COVER, door lock, LH	1	
75	323-718	£6.90	SCREW SET, door lock cover	1	4 screws
76	401-170	£8.20	SHIM, door lock, 1/16"	a/r	
77	401-408	£48.00	STRIKER PLATE & WEDGE	2	includes screws
	401-093	£16.20	STRIKER, wedge, door lock	2	
78	AJD2246	£0.70	MACHINE SCREW, striker securing	4	
79	323-530	£1.30	WOOD SCREW, striker securing	4	
80	405-400	£7.00	SOCKET, side screen, in door top	2	
81	AAA5154	£8.80	PLATE, side screen mounting	4	
82	323-530	£1.30	SCREW, side screen plate	12	
83	MB19331	£7.60	NUT, side screen plate	4	
84	229-655	NCA	DOOR TOP ARMREST SET	1	chrome accessory

Note: Additional door parts are listed on page 46.

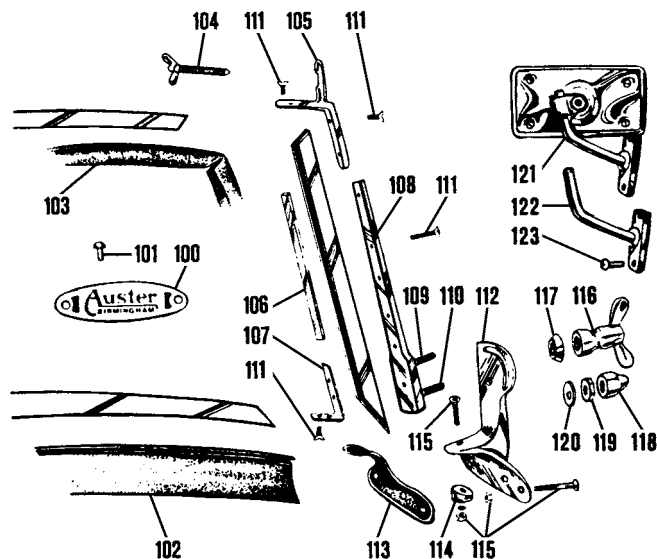
85	451-398	£48.20	THRESHOLD PLATE SET, pair (2 plates etched with 'The MG Car Company Ltd').	1	
86	408-710	£6.70	CHASSIS ID PLATE	1	
87	408-730	£5.50	BODY ID PLATE	1	
88	CRCP367	£5.56	PATENT NUMBER PLATE	1	
89	408-760	£4.70	'MADE IN ENGLAND' PLATE	1	
90	FAS3	£0.73	SCREW, ID plate	a/r	
91	FAS4	£0.72	NUT, ID plate screw	a/r	
92	AAA1651	£12.40	SPRING COVER, steering column	1	
93	AAA1650	£3.90	CAP, spring cover	1	
94	AAA192	£9.00	CLAMP ASSEMBLY, column	1	includes nut, bolt & washer

Boot Rack, (Factory Style)

95	244-600	£321.30	BOOT RACK	1	chrome
	244-610	£253.60	BOOT RACK	1	stainless steel

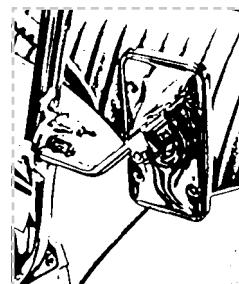
Windscreen Components

100	CRCP329	£3.10	'AUSTER' NAME PLATE	1	
101	FAS1	£0.55	RIVET, name plate securing	1	
102	280-290	£15.60	STRIP, frame to cowl, rubber	1	
103	280-300	£13.10	STRIP, glass to frame, rubber	1	
104	AAA5166	£10.00	WING BOLT, hood to windscreen	2	
105	408-600	£18.60	TOP CORNER BRACKET, LH	1	drilled
	408-610	£18.60	TOP CORNER BRACKET, RH	1	
	408-607	£11.40	TOP CORNER BRACKET, LH	1	not drilled
	408-617	£14.70	TOP CORNER BRACKET, RH	1	
106	408-630	£25.90	THREADED STRIP, side windscreen	2	
107	408-620	£14.90	BRACKET, bottom corner	2	
108	408-230	NCA	SIDE SUPPORT, LH	1	
	408-240	NCA	SIDE SUPPORT, RH	1	
109	408-285	£3.60	STUD, upper, windscreen side support	2	
110	408-295	£7.80	STUD, lower, windscreen side support	2	
111	323-918	£31.50	SCREW SET, windscreen frame	1	26 screws
112		NCA	COWL BRACKET, LH	1	
		NCA	COWL BRACKET, RH	1	
113	281-188	£6.50	PAD SET, bracket to cowl	1	2 rubber pads
114	408-250	£8.40	SPACER, bracket to cowl	2	
115	323-898	£11.80	SCREW SET, bracket to cowl	1	8 screws & nuts
116	225-400	£13.40	WING NUT	2	



ill.	Part Number	Price £ea.	Description	Req.	Details
	117 408-660	£3.60	CONE SPACER, wing nut	2	
	118 311-170	£6.90	DOME NUT, side support	2	
	119 311-180	£1.62	LOCK NUT, dome nut	2	
	120 408-650	£2.90	'D' WASHER, lock nut	2	
	121 407-350	£243.20	SIDE MIRROR, windscreen, RH*	1	with bracket, TC style
	407-347	£173.50	MIRROR HEAD	1	TC type without medallion
	407-357	£16.10	GLASS MIRROR	1	convex
	122 407-400	£71.10	BRACKET, for mirror, RH	1	
	407-500	£71.10	BRACKET, for mirror, LH*	1	
	123 AJD2246	£0.70	SCREW	2	

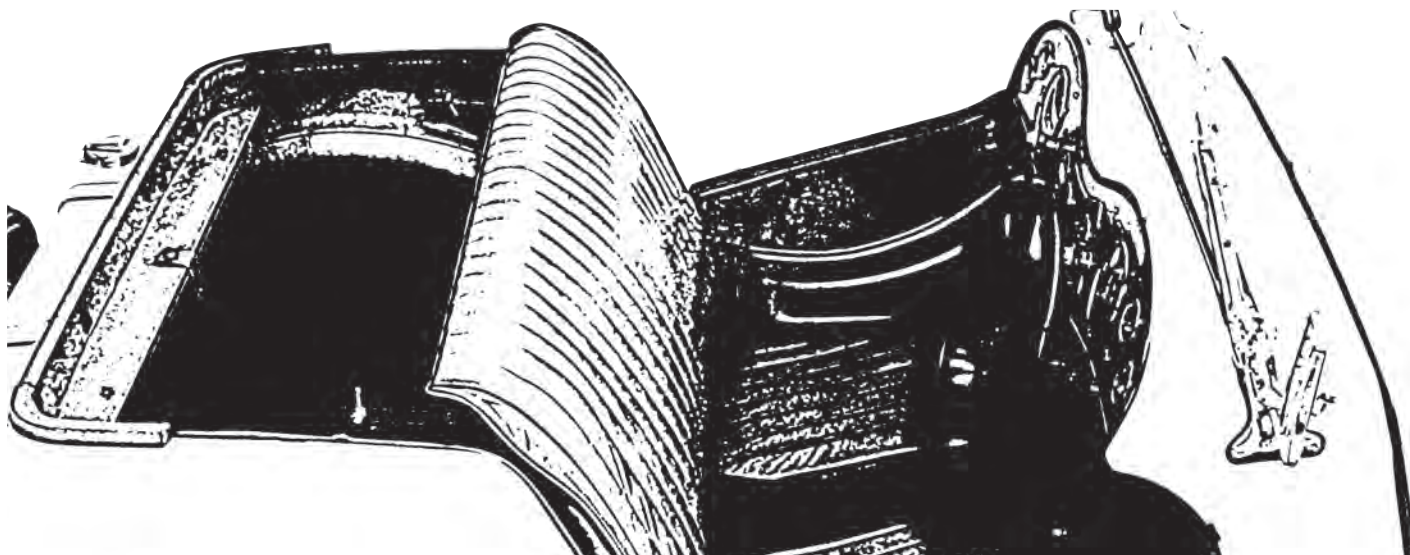
*Note: Windscreen bracket will require drilling and tapping to mount the above mirrors. For an alternative bracket that doesn't require drilling, read on.



Easy Fit (Side) Mirror Bracket & Stem

The TA-TB-TC mirror bracket was attached to the windscreen by two screws and, if you wanted to fit the same optional mirror to the passenger side of the windscreen on TD and TF models, then holes had to be drilled and tapped in the windscreen frame. Our new style of bracket (supplied with dome nut, taper & flat washers) is suitable for right or left hand installation, fitting directly into the securing slot of the windscreen when in the lowered position. Now you can put down that electric drill and stop trembling because no drilling is required! Moreover, the bracket is not a permanent fitment. Using the 407-347 mirror head, excellent rear visibility is offered - even when the high mount luggage rack is installed.

407-488	£40.00	BRACKET KIT, side mirror (Fits left or right hand side of windscreen).	a/r
407-347	£173.50	MIRROR HEAD	a/r



iii. Part Number Price £ea. Description Req. Details

Interior Trim

Our complete range of interior trim for T-Types is designed to delight the purists. We incorporate many original design features which a custom upholstery shop could not hope to duplicate.

All leather and vinyl materials have been carefully selected for texture and are production-dyed to recreate the original colours, beige (TA-TB only), biscuit, green & red. We also offer a selection of alternative colours for those looking to personalise their interiors; black, tan & honey tan.

Trim Panel Kits

All components are pre-cut and pre-sewn by our own upholstery shop with extraordinary results. Every stitch follows the course of the original. The hidem tacking strip matches perfectly and is sewn through the plywood for exact placement and easy installation. The door pockets are stitched to the door panel and topped off with genuine leather. Leather piping also finishes off the door tops. Wheel arch covers are also bound with the slot for TC seat back brackets (where required). Material is also included to cover the dash & sidescreen compartment, interior piping etc. This attention to detail ensures you get the best interior for your T-Type. Trim Panel Kits are available in a choice of leather panel & vinyl trim, or vinyl panel & vinyl trim.

Leather Panel & Vinyl Trim Kits

245-260	£720.00	TRIM KIT, leather & vinyl trim, biscuit	1	TC
245-270	£720.00	TRIM KIT, leather & vinyl trim, black	1	TC
245-280	£720.00	TRIM KIT, leather & vinyl trim, green	1	TC
245-542	£720.00	TRIM KIT, leather & vinyl trim, honey tan	1	TC
245-240	£720.00	TRIM KIT, leather & vinyl trim, red	1	TC
245-540	£720.00	TRIM KIT, leather & vinyl trim, tan	1	TC
245-300	£755.20	TRIM KIT, leather & vinyl trim, biscuit	1	TD
245-310	£755.20	TRIM KIT, leather & vinyl trim, black	1	TD
245-290	£755.20	TRIM KIT, leather & vinyl trim, green	1	TD
245-552	£755.20	TRIM KIT, leather & vinyl trim, honey tan	1	TD
245-280	£755.20	TRIM KIT, leather & vinyl trim, red	1	TD
245-550	£755.20	TRIM KIT, leather & vinyl trim, tan	1	TD
245-340	£720.00	TRIM KIT, leather & vinyl trim, biscuit	1	TF
245-470	£540.00	TRIM KIT, leather & vinyl trim, black	1	TF
245-330	£720.00	TRIM KIT, leather & vinyl trim, green	1	TF
245-562	£720.00	TRIM KIT, leather & vinyl trim, honey tan	1	TF
245-320	£720.00	TRIM KIT, leather & vinyl trim, red	1	TF
245-560	£720.00	TRIM KIT, leather & vinyl trim, tan	1	TF

Vinyl Panel & Vinyl Trim Kits

449-475	£678.20	TRIM KIT, vinyl & vinyl trim, beige	1	TA-TB
449-470	£678.20	TRIM KIT, vinyl & vinyl trim, green	1	TA-TB
449-480	£678.20	TRIM KIT, vinyl & vinyl trim, red	1	TA-TB
245-380	£594.30	TRIM KIT, vinyl & vinyl trim, biscuit	1	TC
245-390	£540.00	TRIM KIT, vinyl & vinyl trim, black	1	TC
245-370	£540.00	TRIM KIT, vinyl & vinyl trim, green	1	TC
245-572	£540.00	TRIM KIT, vinyl & vinyl trim, honey tan	1	TC
245-360	£540.00	TRIM KIT, vinyl & vinyl trim, red	1	TC
245-570	£540.00	TRIM KIT, vinyl & vinyl trim, tan	1	TC
245-420	£540.00	TRIM KIT, vinyl & vinyl trim, biscuit	1	TD
245-430	£540.00	TRIM KIT, vinyl & vinyl trim, black	1	TD
245-410	£540.00	TRIM KIT, vinyl & vinyl trim, green	1	TD
245-582	£540.00	TRIM KIT, vinyl & vinyl trim, honey tan	1	TD
245-400	£540.00	TRIM KIT, vinyl & vinyl trim, red	1	TD
245-580	£540.00	TRIM KIT, vinyl & vinyl trim, tan	1	TD
245-460	£540.00	TRIM KIT, vinyl & vinyl trim, biscuit	1	TF
245-350	£720.00	TRIM KIT, vinyl & vinyl trim, black	1	TF
245-450	£540.00	TRIM KIT, vinyl & vinyl trim, green	1	TF
245-592	£540.00	TRIM KIT, vinyl & vinyl trim, honey tan	1	TF
245-440	£540.00	TRIM KIT, vinyl panel & vinyl trim, red	1	TF
245-590	£540.00	TRIM KIT, vinyl panel & vinyl trim, tan	1	TF

iii. Part Number Price £ea. Description Req. Details

Seat Assemblies & Cover Kits

Seat Assemblies

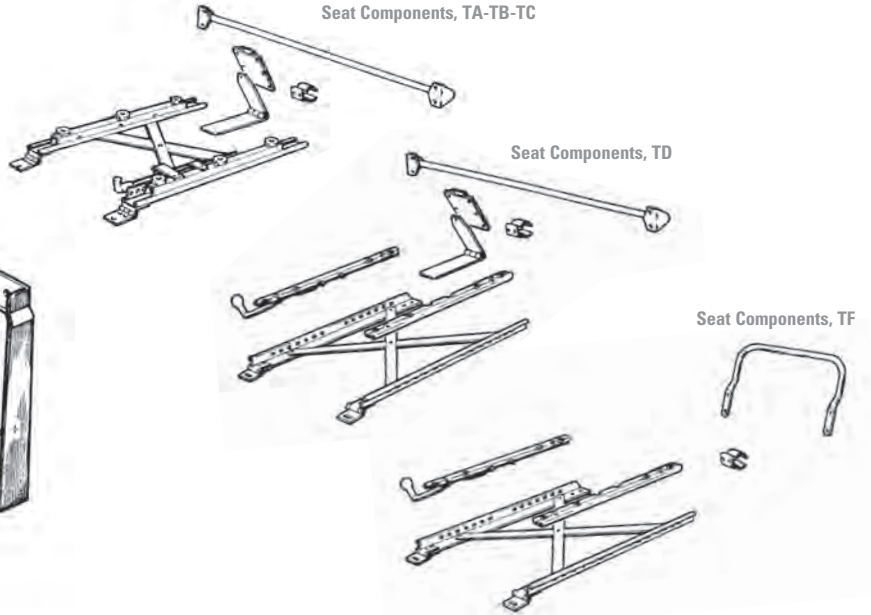
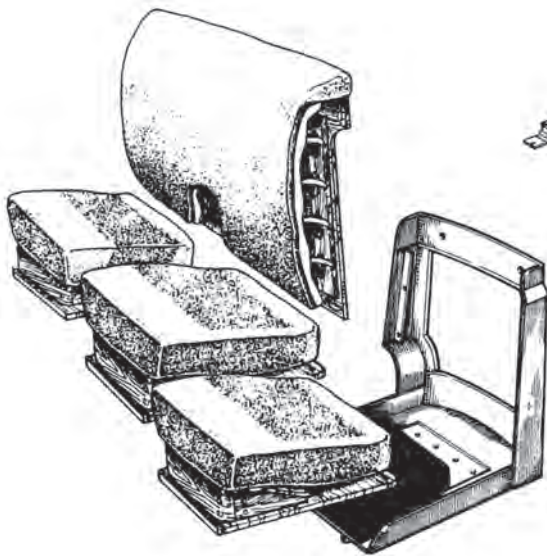
Our seat assemblies are the ideal option for those enthusiasts who need new seats but do not want to undertake re-trimming themselves. Our hand crafted leather covers are upholstered on to new timber frames, springs and padding by our specialist trimmers giving a beautifully finished seat assembly. Trimming T-Type seats is a complicated job. These assemblies are ready to install, making them a simple and labour saving way to great seats in your T-Type.

449-430	NCA	SEAT ASSEMBLY, leather, beige	1	TA-TB
449-425	NCA	SEAT ASSEMBLY, leather, green	1	TA-TB
449-435	£2,010.40	SEAT ASSEMBLY, leather, red	1	TA-TB
245-028	£1,619.90	SEAT ASSEMBLY, leather, biscuit	1	TC
245-038	£1,619.90	SEAT ASSEMBLY, leather, black	1	TC
245-018	£1,619.90	SEAT ASSEMBLY, leather, green	1	TC
245-458	£1,619.90	SEAT ASSEMBLY, leather, honey tan	1	TC
245-008	£1,619.90	SEAT ASSEMBLY, leather, red	1	TC
245-488	£1,619.90	SEAT ASSEMBLY, leather, tan	1	TC
245-068	£1,619.90	SEAT ASSEMBLY, leather, biscuit	1	TD
245-078	£1,619.90	SEAT ASSEMBLY, leather, black	1	TD
245-058	£1,619.90	SEAT ASSEMBLY, leather, green	1	TD
245-468	£1,619.90	SEAT ASSEMBLY, leather, honey tan	1	TD
245-048	£1,619.90	SEAT ASSEMBLY, leather, red	1	TD
245-498	£1,619.90	SEAT ASSEMBLY, leather, tan	1	TD
245-428	£3,045.00	SEAT ASSEMBLY, leather, biscuit	1	TF
245-448	£3,045.00	SEAT ASSEMBLY, leather, black	1	TF
245-418	£3,045.00	SEAT ASSEMBLY, leather, green	1	TF
245-478	£3,045.00	SEAT ASSEMBLY, leather, honey tan	1	TF
245-438	£3,045.00	SEAT ASSEMBLY, leather, red	1	TF
245-408	£3,045.00	SEAT ASSEMBLY, leather, tan	1	TF

Seat Cover Kits

Our seat cover kits are manufactured to the same exacting standards as all our T-Type interior trim products. If you are re-trimming your seats we recommend replacing springs and foams to ensure a top quality finish.

449-520	£908.30	SEAT COVER KIT, leather, beige	1	TA-TB
449-515	£908.30	SEAT COVER KIT, leather, green	1	TA-TB
449-525	£908.30	SEAT COVER KIT, leather, red	1	TA-TB
245-020	£663.00	SEAT COVER KIT, leather, biscuit	1	TC
245-030	£663.00	SEAT COVER KIT, leather, black	1	TC
245-010	£663.00	SEAT COVER KIT, leather, green	1	TC
245-482	£663.00	SEAT COVER KIT, leather, honey tan	1	TC
245-000	£663.00	SEAT COVER KIT, leather, red	1	TC
245-480	£663.00	SEAT COVER KIT, leather, tan	1	TC
245-060	£663.00	SEAT COVER KIT, leather, biscuit	1	TD
245-070	£663.00	SEAT COVER KIT, leather, black	1	TD
245-050	£663.00	SEAT COVER KIT, leather, green	1	TD
245-492	£663.00	SEAT COVER KIT, leather, honey tan	1	TD
245-040	£663.00	SEAT COVER KIT, leather, red	1	TD
245-490	£663.00	SEAT COVER KIT, leather, tan	1	TD
245-100	£724.70	SEAT COVER KIT, leather, biscuit	1	TF
245-110	£724.70	SEAT COVER KIT, leather, black	1	TF
245-090	£724.70	SEAT COVER KIT, leather, green	1	TF
245-502	£724.70	SEAT COVER KIT, leather, honey tan	1	TF
245-080	£724.70	SEAT COVER KIT, leather, red	1	TF
245-500	£724.70	SEAT COVER KIT, leather, tan	1	TF



iii. Part Number Price £ea. Description Req. Details

Seat Frames & Components

Restore your interior to its original look and comfort. Even brand new upholstery won't look right if the foundation isn't up to par. These superb reproduction uncovered seat back and cushion assemblies are supplied complete with plywood bases, springs and foam padding as original.

TA- TC Seat Frames & Components

449-405	NCA	SQUAB & CUSHION SET	1	TA-TB
456-590	£768.00	SQUAB & CUSHION SET	1	TC
454-008	£393.00	SEAT SLIDE SET, RH/LH	1	
449-390	£45.70	TONNEAU BAR, top of seat back	1	TA-TB
451-750	£75.60	TONNEAU BAR, top of seat back	1	TC
406-070	£5.80	CLIP, starting handle storage	3	
406-080	£19.90	HINGE, seat back to cushion	2	
406-090	£17.00	SLEEVE, seat back hinge	2	

TD Seat Frames & Components

456-595	£768.00	SQUAB & CUSHION SET	1	
449-395	£97.20	SEAT SLIDE SET, RH/LH	1	
454-005	£54.40	SEAT SLIDE, LH	1	
454-015	£54.40	SEAT SLIDE, RH	1	
451-730	£63.80	TONNEAU BAR, top of seat back	1	
406-070	£5.80	CLIP, starting handle storage	3	
406-080	£19.90	HINGE, seat back to cushion	2	
406-090	£17.00	SLEEVE, seat back hinge	2	

TF Seat Frames & Components

456-615	£784.45	FRAME ASSEMBLY, RH	1	
456-605	£784.45	FRAME ASSEMBLY, LH	1	
456-635	£169.30	BASE & FOAM, RH	1	
456-625	£169.30	BASE & FOAM, LH	1	
456-645	£53.90	SPRING SET, seat squab	2	
454-028	£96.00	SEAT SLIDE SET, RH/LH	1	
453-195	£59.20	TONNEAU BAR, top of seat back	2	
406-070	£5.80	CLIP, starting handle storage	3	

Vinyl Material

Our standard colour vinyls are available per yard (91.4cm). The roll width is 52" (132cm). We will supply a continuous length as ordered.

456-315	£34.80	VINYL, red, per yard	a/r	
456-330	£34.80	VINYL, green, per yard	a/r	
456-415	£34.80	VINYL, black, per yard	a/r	
456-423	£34.80	VINYL, biscuit, per yard	a/r	
456-435	£34.80	VINYL, tan, per yard	a/r	

Note: Leather hides are also available in the above colours to special order. Please enquire at a branch.

iii. Part Number Price £ea. Description Req. Details

Carpet Kits, Mats & Boots

We are proud to offer our own reproduction of the original black short cut-pile carpeting. Our carpets sets are made to exacting specifications. They are bound only where original and include jute padding where originally fitted. Carpet sets include all snaps and rubber heel mats. TD-TF sets incorporate a leather gear shift boot, while TC sets include a leather handbrake boot. Rear deck areas were not originally carpeted.

449-290	£278.60	CARPET KIT, black	1	TA-TB
449-310	NCA	CARPET KIT, red	1	
449-315	NCA	CARPET KIT, beige	1	
454-448	£205.00	CARPET KIT, black	1	TC
449-320	£161.80	CARPET KIT, red	1	
449-325	NCA	CARPET KIT, beige	1	TD-TF
454-449	£205.00	CARPET KIT, honey tan	1	
454-468	£213.20	CARPET KIT, black	1	RHD
454-466	£213.20	CARPET KIT, red	1	flat floor
454-469	£213.20	CARPET KIT, honey tan	1	TD to (c) 4236
454-458	£210.00	CARPET KIT, black	1	LHD
454-456	£210.00	CARPET KIT, red	1	flat floor
454-459	£210.00	CARPET KIT, honey tan	1	TD from (c) 4237 & TF
454-478	£210.00	CARPET KIT, black	1	LHD
454-476	£210.00	CARPET KIT, red	1	recessed footwell
454-479	£210.00	CARPET KIT, honey tan	1	TD To (c) 4256 LHD & all
CRM2001X	£17.50	HEEL MAT, rubber	1	TD & TF RHD
280-400	£25.50	FOOTWELL MAT, rubber	1	TD From (c) 4237 & TF
454-060	£36.70	BOOT, handbrake lever	1	TA- TC
454-070	£33.40	BOOT, handbrake lever	1	TD- TF

Carpet Fittings

Carpet To Floorboards

1	610624	£0.62	STUD, floor mounting	8
2	GHF400	£0.19	SCREW, for stud	8
3	14G8736	£0.30	SPIKED RING	8
4	CD23803	£1.13	FASTENER, for spiked ring	8

Carpet To Bulkhead

5	552650	£0.72	FASTENER, socket, 'Lift the Dot'	4
6	552651	£0.76	CLINCH PLATE, 'Lift the Dot'	4
7	97H717	£0.89	PEG, 'Lift the Dot'	4
8	GHF206	£0.16	NUT, for peg	4
9	WL700101	£0.25	LOCK WASHER, for nut	4





ill. Part Number Price £ea. Description Req. Details

T-Type Hoods

TA's-TB's, and early TC's were originally trimmed in black double duck, a heavy single-ply canvas. Later TC's and TD's were trimmed in the same material but with a Tan double duck which was light khaki Tan colour with a greenish cast to it. This material was known for its stiffness and its tendency to fading in bright light. TF's were originally trimmed in a multi-ply canvas material, which was light Tan with a pinkish cast to it. As both of these materials are now obsolete we now supply our weather equipment in our best double duck, which is a 2 ply with a membrane of rubber between layers for waterproofing.

As the listings indicate, we offer a full range of hood and tonneau covers. We do not install the hardware so that you can match the existing stud placement on your car. Although installation instructions are not included with our soft trim, most people find the task quite straight forward. We recommend you seek professional advice if you encounter any installation difficulties.

Hood Frames & Rails

Part Number	Price £ea.	Description	Req.	Details
449-240	£242.50	HOOD FRAME	1	TA & TB
453-335	£242.20	HOOD FRAME, 2-bow	1	TC
453-345	£231.30	HOOD FRAME, 2-bow	1	TD
453-355	£275.60	HOOD FRAME, 3-bow	1	TD
453-365	£275.60	HOOD FRAME	1	TF
453-230	£97.80	HOOD RAIL WOOD OVER WINDSCREEN	1	TA-TB & TC
453-240	£104.40	HOOD RAIL WOOD OVER WINDSCREEN	1	TD & TF
446-055	£24.00	WEBBING, black	1	car set
446-060	£25.30	WEBBING, tan	1	car set
CCHP1	£8.50	HOOD FRAME PAINT*	1	

*Note: 12 ounce spray can, custom formulated to duplicate original colour.

Hood Kits

Part Number	Price £ea.	Description	Req.	Details
449-245	£473.70	HOOD KIT SPLIT WINDOW, duck, tan	1	TA & TB
449-250	£473.70	HOOD KIT SPLIT WINDOW, duck, black	1	TA & TB
NCA		HOOD KIT SPLIT WINDOW, vinyl, black	1	TA & TB
241-905	£473.70	HOOD KIT SPLIT WINDOW, duck, tan	1	TC
241-915	£473.70	HOOD KIT SPLIT WINDOW, duck, black	1	TC
NCA		HOOD KIT SPLIT WINDOW, vinyl, black	1	TC
241-970	£473.70	HOOD KIT SINGLE WINDOW, duck, tan	1	TC
241-950	£473.70	HOOD KIT SINGLE WINDOW, duck, black	1	TC
NCA		HOOD KIT SINGLE WINDOW, vinyl, black	1	TC
242-070	£473.70	HOOD KIT 2-BOW, double duck, tan	1	TD
242-050	£473.70	HOOD KIT 2-BOW, double duck, black	1	TD
242-010	£461.40	HOOD KIT 2-BOW, vinyl, black	1	TD

ill. Part Number Price £ea. Description Req. Details

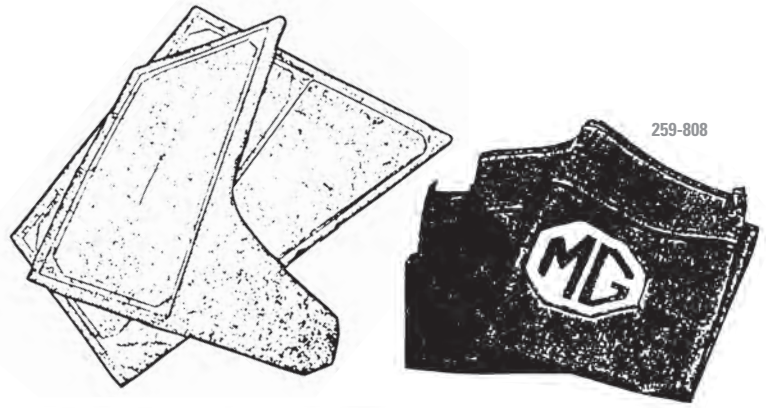
242-170	£473.70	HOOD KIT 3-BOW, double duck, tan	1	TD
242-150	£473.70	HOOD KIT 3-BOW, double duck, black	1	TD
242-110	£461.40	HOOD KIT 3-BOW, vinyl, black	1	TD
242-270	£473.70	HOOD KIT, double duck, tan	1	TF
242-250	£473.70	HOOD KIT, double duck, black	1	TF
242-210	£461.40	HOOD KIT, vinyl, black	1	TF

Tonneau Covers

449-255	£384.40	TONNEAU COVER, double duck, tan	1	TA & TB, full cover
449-260	£384.40	TONNEAU COVER, double duck, black	1	TA & TB, full cover
NCA		TONNEAU COVER, vinyl, black	1	TA & TB, full cover
449-265		NCA TONNEAU COVER, double duck, tan	1	TA & TB, 1/2 cover
449-270	£276.90	TONNEAU COVER, double duck, black	1	TA & TB, 1/2 cover
NCA		TONNEAU COVER, vinyl, black	1	TA & TB, 1/2 cover
241-150	£384.40	TONNEAU COVER, double duck, tan	1	TC, full cover
241-140	£384.40	TONNEAU COVER, double duck, black	1	TC, full cover
NCA		TONNEAU COVER, vinyl, black	1	TC, full cover
241-155	£276.90	TONNEAU COVER, double duck, tan	1	TC, 1/2 cover
241-145	£276.90	TONNEAU COVER, double duck, black	1	TC, 1/2 cover
NCA		TONNEAU COVER, vinyl, black	1	TC, 1/2 cover
241-250	£384.40	TONNEAU COVER, double duck, tan	1	TD, full cover
241-240	£384.40	TONNEAU COVER, double duck, black	1	TD, full cover
241-220	£384.40	TONNEAU COVER, vinyl, black	1	TD, full cover
241-255	£276.90	TONNEAU COVER, double duck, tan	1	TD, 1/2 cover
241-245	£276.90	TONNEAU COVER, double duck, black	1	TD, 1/2 cover
NCA		TONNEAU COVER, vinyl, black	1	TD, 1/2 cover
241-350	£384.40	TONNEAU COVER, double duck, tan	1	TF, full cover
241-340	£384.40	TONNEAU COVER, double duck, black	1	TF, full cover
241-320	£384.40	TONNEAU COVER, vinyl, black	1	TF, full cover
241-355	£276.90	TONNEAU COVER, double duck, tan	1	TF, 1/2 cover
241-345	£276.90	TONNEAU COVER, double duck, black	1	TF, 1/2 cover
NCA		TONNEAU COVER, vinyl, black	1	TF, 1/2 cover

Hood & Tonneau Fittings

97H717	£0.89	LIFT-THE-DOT PEG	a/r	
GHF206	£0.16	NUT FOR PEG	a/r	
WL700101	£0.25	LOCK WASHER FOR NUT	a/r	
552667	£1.16	SELF-TAPPING STUD	a/r	
LFS100S	£1.60	LIFT-THE-DOT SNAP & PLATE	a/r	4 prong
227-108	£1.48	BUTTON SNAP	a/r	
610624	£0.62	BUTTON SNAP STUD	a/r	



iii. Part Number Price £ea. Description Req. Details

Side Screen Covers & Frames

Our side screens duplicate exactly the size and fit of the original and, because they're crafted from the same material, they match our hood kits perfectly. The finishing strips supplied have spoon ends - which is correct for the TD and TF.

For TA-TB and TC owners that are die-hard purists or Concourse enthusiasts we offer a do-it-yourself mitre finishing strip kit. These kits include over-length strips which must be custom mitred to duplicate the original. Side screen frames are supplied in grey primer only, for the original beige paint, see inside back cover.

449-275	£473.70	COVERING KIT, double duck, tan	1	TA & TB
449-280	£473.70	COVERING KIT, double duck, black	1	TA & TB
449-285	£258.30	FRAME SET, 4 frames	1	TA & TB
252-098	NCA	STRIP KIT, with unfinished ends (Mitre for a perfect original-type fit).	1	TA & TB
252-008	£19.20	NUT & BOLT SET STRIP KIT	1	TA & TB, 63 of each
256-500	£473.70	COVERING KIT, double duck, tan	1	TC
256-510	£473.70	COVERING KIT, double duck, black	1	TC
253-100	£88.30	FRAME, front, left	1	TC
253-200	£88.30	FRAME, front, right	1	TC
253-300	£88.30	FRAME, rear, left	1	TC
253-400	£88.30	FRAME, rear, right	1	TC
252-108	£159.60	STRIP SET, with spoon ends	1	TC
252-098	NCA	STRIP KIT, with unfinished ends (All 16 strips need cutting to suit as they have mitred corners).	1	TC
252-008	£19.20	NUT & BOLT SET STRIP KIT	1	TC, 63 of each
256-600	£473.70	COVERING KIT, 2-bows, duck, tan	1	TD
256-610	£473.70	COVERING KIT, 2-bows, duck, black	1	TD
256-210	£436.80	COVERING KIT, 2-bows, vinyl, black	1	TD
253-600	£88.30	FRAME, 2-bows, front, left	1	TD
253-700	£88.30	FRAME, 2-bows, front, right	1	TD
253-800	£88.30	FRAME, 2-bows, rear, left	1	TD
253-900	£88.30	FRAME, 2-bows, rear, right	1	TD
252-208	£159.60	STRIP KIT COMPLETE, 2-Bows	1	TD
252-018	£42.30	NUT & BOLT SET, 2-bows, 58 of each	1	TD
256-700	£473.70	COVERING KIT, 3-bows double duck	1	TD, tan
256-710	£473.70	COVERING KIT, 3-bows double duck	1	TD, black
256-310	£436.80	COVERING KIT, 3-bows vinyl, black	1	TD
254-100	£88.30	FRAME, 3-bows, front, left	1	TD
254-200	£88.30	FRAME, 3-bows, front, right	1	TD
254-300	£88.30	FRAME, 3-bows, rear, left	1	TD
254-400	£88.30	FRAME, 3-bows, rear, right	1	TD
252-308	£159.60	STRIP KIT COMPLETE, 3-bows	1	TD
252-018	£42.30	NUT & BOLT SET, 3-bows, 58 of each	1	TD
256-800	£473.70	COVERING KIT, double duck, tan	1	TF
256-810	£473.70	COVERING KIT, double duck, black	1	TF
256-410	£436.80	COVERING KIT, vinyl, black	1	TF
254-600	£88.30	FRAME, front, left	1	TF
254-700	£88.30	FRAME, front, right	1	TF

iii. Part Number Price £ea. Description Req. Details

254-800	£88.30	FRAME, rear, left	1	TF
254-900	£88.30	FRAME, rear, right	1	TF
252-408	£159.60	STRIP KIT COMPLETE	1	TF
252-018	£42.30	NUT & BOLT SET, 58 of each	1	TF

Side Screen Stowage Bag Set

Includes four custom tailored covers made from a soft yet sturdy cotton material, finished off with a large embroidered MG motif. All models.

259-808	£191.20	STOWAGE BAG SET	1	
---------	---------	-----------------	---	--

Starting Handle Cover & Corner Covers MG TF

Felt sections to allow trimming of side screens and lining of the tool box.

456-075	£10.90	CORNER PANEL, rear cockpit RH	1	
456-085	£10.90	CORNER PANEL, rear cockpit LH	1	
456-095	£10.00	COVER, starting handle (Between rear corner panels).	1	

Side Screen & Tool Box Felt Kits

Felt sections to allow trimming of side screens and lining of the tool box.

456-468	£84.30	FELT KIT, side screens (Complete car set to re-trim all side screens).	1	
456-420	£38.00	FELT KIT, toolbox liner	1	

Bulk Vinyl Material

The same high-quality vinyl that we use in our Moss Handcrafted Upholstery Kits is perfect for finishing your custom interior renovation. Vinyl is offered in 1- and 2-yard pre-cut lengths and is 52 inches wide, if you need a continuous piece of vinyl longer than 2 yards please call our sales department on 0208 867 2020 for pricing.

456-313	£16.80	VINYL, red, per yard	a/r	
456-315	£34.80	VINYL, red, per yard	a/r	
456-325	£34.80	VINYL, blur, per yard	a/r	
456-328	£21.40	VINYL, green, per yard	a/r	
456-329	£37.40	VINYL, green, 2 yards, pre-cut	a/r	
456-330	£34.80	VINYL, green, per yard	a/r	
456-365	£34.80	VINYL, grey, per yard	a/r	
456-415	£34.80	VINYL, black, per yard	a/r	
456-423	£34.80	VINYL, biscuit, per yard	a/r	
456-424	£50.20	VINYL, biscuit, 2 yards, pre-cut	a/r	
456-433	£20.50	VINYL, tan, per yard	a/r	
456-434	£40.20	VINYL, tan, 2 yards, pre-cut	a/r	
456-435	£34.80	VINYL, tan, per yard	a/r	

Threaded Fittings On MG 'T' Types

It's probably a good idea to explain the different thread forms employed on the hardware fitted to your car.

1 - 'Nuffield Metric'

This is the 'oddball' thread/hex head combination to be found on MPJG and XPAG/XPEG engines and gearboxes. When Morris took over the French Hotchkiss Plant at Coventry in 1923, they retained the continental metric tooling (presumably for reasons of cost). To make the situation more palatable for the Whitworth spanner wielding British public, Morris devised imperial hex head sizes for the metric hardware. This is why power unit production up to and including the T-Type used such a strange, hybrid range of nuts, bolts and studs.

While the thread angle of the Nuffield metric form is the same as standard ISO metric thread (60°), the pitch is different; although you can hunt around and might find an old metric screw that fits your engine, it really is more worthwhile and less time consuming to purchase your engine hardware from us. An added bonus of taking the latter course is the peace of mind gained from knowing that our hardware is made from the correct material for the task!

2 - Whitworth

Conceived by Sir Joseph Whitworth in 1841, the range of Whitworth forms consists of four distinct types: British Standard Whitworth (BSW), British Standard Fine (BSF), British Standard Pipe (BSP) and British Standard Pipe Tapered (BSPT). On T-Types, most body and chassis hardware is BSF, with a sprinkling of BSW. All pipe-work (oil, fuel and brake hydraulics) is BSP.

3 - British Association

A particularly fine thread form originally developed for clock and watch manufacture, 'British Association' (BA) hardware is used in electrical components and generally wherever screws smaller than 1/4" BSF are required. Unlike other threads which are identified by their dimensions, the BA sizes range from 0BA to 16BA (the higher the number, the smaller the size). The most common automotive size is 2BA.

4 - Unified

A comparatively recent thread form, 'Unified National Fine' (UNF) and 'Unified National Coarse' (UNC) are only to be found on the running gear of late TD's & TF's (and just about everything on MGA's, MGB's).



Thread Restorer

For restoring damaged threads on bolts/studs.

386-600	THREAD RESTORER, (BSW/BSF)	a/r
386-610	THREAD RESTORER, (metric)	a/r



Taps & Dies

385-708	TAP & DIE SET (25 piece set, incl. all items listed below).	a/r
---------	--	-----

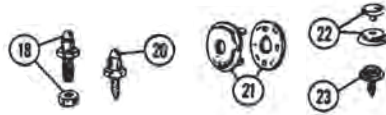
Taps	Dies	
5mm x 0.75mm	385-705	385-825
6mm x 1.0mm	385-710	385-830
8mm x 1.0mm	385-715	385-835
10mm x 1.5mm	385-720	385-840
12mm x 1.5mm	385-725	385-845
2BA 385-730	385-850	
1/4 BSF x 26	385-735	385-855
5/16 BSF x 22	385-740	385-860

Taps & Dies (Continued)

	Taps	Dies
3/8 BSF x 20	385-745	385-865
7/16 BSF x 18	385-750	385-870
1/2 BSF x 16	385-755	385-875
Tap Spanner	385-700	
Die Holder, 1 5/16" stock	385-810	
Die Holder, 1" stock	385-820	

'Screw & Washer' and 'Bolt & Nut' Sets

323-818	Screw & Washer Set, floorboards	1	TA-TB & TC
323-828	Screw & Washer Set, floorboards	1	TD & TF1
323-838	Screw & Washer Set, dash, (8 each)	1	TA-TB & TC
323-848	Screw & Washer Set, dash, (8 each)	1	TD
321-778	Bolt & Nut Set, wing & running boards to body	1	TA-TB & TC
321-478	Bolt & Nut Set, instrument panel, dash, (8 of each)	1	TA-TB-TC&TD
321-758	Bolt & Nut Set, wing & running boards to body	1	TD
321-768	Bolt & Nut Set, wing & running boards to body	1	TF
323-778	Bolt & Nut Set, windscreen bracket to cowl, (6 screws & nuts)	1	TA-TB & TC
323-898	Bolt & Nut Set windscreen bracket to cowl, (8 screws & nuts)	1	TD & TF



18	226-708	Stud & Nut, (1 stud & 1 nut)	a/r
20	552667	Stud, self-tapping	a/r
21	LFS100S	'Snap & Plate', 4-prong ('Lift the Dot')	a/r
22	227-108	Button Snap	a/r
23	610624	Stud, (button snap)	a/r

General Fasteners

Part No.	Item	Spanner Size	TPI	Dia.	Thread	Length
AJD6155Z	BOLT	3/16"	26	1/4"	BSF	5/8"
AJD6108Z	BOLT	3/16"	26	1/4"	BSF	1"
320-200	BOLT	3/16"	26	1/4"	BSF	1 1/4"
320-360	BOLT	1/4"	22	5/16"	BSF	3/4"
320-370	BOLT	1/4"	22	5/16"	BSF	1"
320-380	BOLT	1/4"	22	5/16"	BSF	1 1/4"
320-390	BOLT	1/4"	22	5/16"	BSF	1 1/2"
320-400	BOLT	1/4"	22	5/16"	BSF	1 3/4"
AJD6216Z	BOLT	1/4"	22	5/16"	BSF	2"
320-420	BOLT	1/4"	22	5/16"	BSF	2 1/2"
320-430	BOLT	1/4"	22	5/16"	BSF	2 3/4"
320-560	BOLT	5/16"	20	3/8"	BSF	3/4"
AJD6308Z	BOLT	5/16"	20	3/8"	BSF	1"
AJD6310Z	BOLT	5/16"	20	3/8"	BSF	1 1/4"
320-600	BOLT	5/16"	20	3/8"	BSF	1 1/2"
320-610	BOLT	5/16"	20	3/8"	BSF	2 1/2"
320-620	BOLT	5/16"	20	3/8"	BSF	2 3/4"
320-680	BOLT	3/8"	18	7/16"	BSF	1"
320-690	BOLT	3/8"	18	7/16"	BSF	2"
320-720	BOLT	7/16"	16	1/2"	BSF	1 3/4"
320-730	BOLT	7/16"	16	1"	BSF	2 1/2"
320-260	BOLT	1/4"	1mm	8mm	special metric	17mm
320-270	BOLT	1/4"	1mm	8mm	nyloc metric	21.5mm
320-290	BOLT	1/4"	1mm	8mm	nyloc metric	1"
AJD8012Z	NUT	1/8"	30	3/16"	2BA	
AJD8104	NUT	3/16"	26	1/4"	BSF	
AJD8105Z	NUT	1/4"	22	5/16"	BSF	
311-150**	NUT	1/4"	22	5/16"	BSF	
311-220	NUT	5/16"	20	3/8"	BSF	
311-240**	NUT	5/16"	20	3/8"	BSF	
311-280	NUT	3/8"	18	7/16"	BSF	
311-100	NUT	1/4"	1mm	8mm	special metric	
311-080**	NUT	13mm	1mm	8mm	metric nyloc	
311-190	NUT	17mm	1.5mm	10mm	special metric	

*Note: All spanner sizes refer to Whitworth and metric spanners.
**Note: Denotes self-locking hex nut.

Self Tapping Screws

Size	Length	Pan Head	Countersunk Head
No.4	1/4"	AB604021	AC604021
No.6	1/4"	AB606021	
No.6	3/8"	AB606031	
No.6	1/2"	AB606041	AC606041
No.6	3/4"	AB606061	AC606061
No.6	1"	AB606081	AC606081
No.8	1/2"	AB608041	AC608041
No.8	3/4"	AB608061	AC608061
No.8	1"	AB608081	
No.10	1/2"	AB610041	AC610041
No.10	3/4"	AB610061	AC610061
No.10	1"	AB610081	AC610081
No.12	1/2"	AB612041	AC612041
No.12	3/4"	AB612061	
No.12	1"	AB612081	AC612081
No.14	3/4"	AB614061	AC614061
No.14	1"	AB614081	AC614081

B	=	Pan Head
C	=	Countersunk Head
1st digit	=	thread type (coarse or fine)
2nd/3rd digit	=	diameter
4th/5th	=	length in 1/8" increments
6th	=	finish (1 = zinc plated)

Plain Brass - Manifold

(Full Nut) (Not used on T-Types, but what about your other classic?).

Part No.	Thread Size	Spanner Size
GHF261	5/16" UNF	1/2"
GHF262	3/8" UNF	9/16"
GHF270	5/16" UNC	1/2"
GHF269	3/8" UNC	9/16"

Spring/Spire Nut

Screw Size	Flat-type	'U' Type
No.6	GHF700	GHF711
No.8	GHF701	GHF712
No.10	GHF702	GHF713
No.12	GHF703	GHF714
No.14	GHF704	

Captive Nuts

Captive nuts consist of a square nut & cage which we supply individually as required. Always match nut & cage A.F. sizes.

Part No.	Description	Thread Size
NQ2707	Nut, 7/16" AF	1/4"
NQ2708	Nut, 5/8" AF	5/16"
CN4	Nut, fits CN3 cage	1/4"
CN5	Nut, /2" AF	5/16"

Part No.	Description	Spanner (AF) Size
CN2	Cage, square	7/16"
CN3	Cage, oblong	7/16"
600032	Cage, square	1/2"

Shake-proof Washers

Hole Size	Internal Star	External Star
No.6	WF704061	WE704061
3/16"	WF702101	WE702101
1/4"	WF600041	WE600041
5/16"	WF600051	WE600051
3/8"	WF600061	WE600061
7/16"	WF600071	WE600071
1/2"	WF600081	WE600081
9/16"	WF600091	WE600091
5/8"	WF600101	WE600101

Locking Washers Spring Type

Hole Size	Single Coil	Double Coil
No.6	WL700061	
No.8	WL700081	
3/16"	WL700101	AJD7721
1/4"	GHF331	AJD7722
5/16"	GHF332	AJD7731
3/8"	GHF333	AJD7742
7/16"	GHF334	
1/2"	GHF335	
5/8"	GHF336	

Plain Washers

Hole Size	Standard Type	Repair Type	Part No.	Dia.	Overall Length	Part No.	Thread Size	Pipe Bore
No.6		WP3	102474	3/8"	2 1/16"	BCA4370	7/16" UNF	1/4"
No8		WP4	107055	3/8"	2 3/8"	BHA4706	7/16" UNF	3/16"
3/16"	GHF306	WP5				AUSU40A	1/2" UNF	5/16"
1/4"	GHF300	WP120						
5/16"	GHF301	WP105						
3/8"	GHF302	WP130						
7/16"	GHF303	WMM69						
1/2"	GHF304							
9/16"		WP12						
5/8"		PWZ110						

Sealing Washers

Hole Size	Fibre Washer	Copper Washer
3/16"	WF505	
1/4"	GHF342	GHF361
5/16"	GHF343	GHF362
3/8"	GHF344	GHF363
7/16"	GHF345	GHF364
1/2"	GHF346	GHF365
9/16"	GHF347	
5/8"	GHF348	

Studs

A stud is a length of round bar threaded at both ends. The length of thread at each end of the stud may vary for specific applications. The following list is of studs have fine (UNF) threads at both ends.

Part No.	Dia.	Overall Length
TE604081	1/4"	1"
TE604091	1/4"	1 1/8"
TE604101	1/4"	1 1/4"
TE605101	5/16"	1 1/4"
TE605111	5/16"	1 3/8"
TE605121	5/16"	1 1/2"
TE605131	5/16"	1 5/8"
TE605141	5/16"	1 3/4"
TE605151	5/16"	1 7/8"
TE605181	5/16"	2 1/4"
TE605201	5/16"	2 1/2"
TE605221	5/16"	2 3/4"
TE605251	5/16"	3 1/8"
TE605291	5/16"	3 5/8"
TE606101	3/8"	1 1/4"
TE606111	3/8"	1 3/8"
TE606121	3/8"	1 1/2"
TE606141	3/8"	1 3/4"
TE606151	3/8"	1 7/8"

Note: The following studs have fine (UNF) threads at one end and course (UNC) at the other.

Part No.	Dia.	Overall Length
TE504081	1/4"	1"
TE504131	1/4"	1 5/8"
TE505091	5/16"	1 1/8"
TE505111	5/16"	1 3/8"
TE505121	5/16"	1 1/2"
TE505131	5/16"	1 5/8"
TE505141	5/16"	1 3/4"
TE505151	5/16"	1 7/8"
TE505161	5/16"	2"
TE505181	5/16"	2 1/4"
TE505201	5/16"	2 1/2"
TE505221	5/16"	2 3/4"
TE505241	5/16"	3"
TE505261	5/16"	3 1/4"
TE505271	5/16"	3 3/8"
TE505281	5/16"	3 1/2"
TE505341	5/16"	4 1/4"
TE506101	3/8"	1 5/16"
TE506131	3/8"	1 5/8"
TE506141	3/8"	1 3/4"
TE506161	3/8"	2"
TE506201	3/8"	2 1/2"
TE506361	3/8"	3 1/2"

Note: The following studs have course (UNC) threads at both ends.

Part No.	Dia.	Overall Length
101442	3/8"	1 5/8"
058688	3/8"	1 11/16"
115696	3/8"	1 1 3/16"
058917	3/8"	1 15/16"

Studs (Continued)

Dowels

Part No.	Dia.	Overall Length
DP204	1/8"	1/4"
DP205	1/8"	5/16"
DP306	3/16"	3/8"
DP407	1/4"	7/16"
DP408	1/4"	1/2"
DP410	1/4"	5/8"
DP411	1/4"	11/16"
DP414	1/4"	7/8"
DP508	5/16"	1/2"
DP514	5/16"	7/8"
DP608	3/8"	1/2"
DP619	3/8"	CTF

Clevis Pins

(Measured from under head to end).

Part No.	Length	Dia.
108326	1/2"	1/8"
PJ8504	3/8"	3/16"
CLZ307	7/16"	3/16"
CLZ308	1/2"	3/16"
CLZ309	9/16"	3/16"
CLZ310	5/8"	3/16"
CLZ311	11/16"	3/16"
CLZ312	3/4"	3/16"
CLZ313	1 3/16"	3/16"
CLZ314	7/8"	3/16"
CLZ315	15/16"	3/16"
CLZ316	1"	3/16"
CLZ317	1 1/16"	3/16"
CLZ408	1/2"	1/4"
CLZ409	9/16"	1/4"
CLZ410	5/8"	1/4"
CLZ411	11/16"	1/4"
CLZ412	3/4"	1/4"
CLZ413	13/16"	1/4"
CLZ414	7/8"	1/4"
CLZ415	15/16"	1/4"
CLZ416	1"	1/4"
CLZ417	1 1/16"	1/4"
CLZ427	1 11/16"	1/4"
CLZ510	5/8"	5/16"
CLZ511	11/16"	5/16"
CLZ512	3/4"	5/16"
CLZ513	13/16"	5/16"
CLZ514	7/8"	5/16"
CLZ515	15/16"	5/16"
CLZ516	1"	5/16"
CLZ517	1 1/16"	5/16"
CLZ518	1 1/8"	5/16"

Split Pins

Part No.	Length	Dia.
GHF500	1 1/2"	1/16"
GHF501	1 1/2"	5/64"
GHF502	1 1/2"	3/32"
GHF503	2 1/4"	7/64"
GHF504	2 1/4"	1/8"
GHF505	2 1/4"	9/64"
GHF506	2 1/4"	5/32"
GHF513	3"	5/16"

Brake & Fuel Pipe

Supplied in 25 foot rolls.

Part No.	Material	Dia.
MPKF125	Cupro-nickel	3/16"
MPKF225	Cupro-nickel	1/4"
MPKF325	Cupro-nickel	5/16"
EF125	Steel	3/16"
EF225	Steel	1/4"
EF325	Steel	5/16"

Pipe Nuts

Male, Steel

Part No.	Thread Size	Pipe Bore
TM606031	3/8" UNF	3/16"
TM110051	10mm x 1mm	3/16"
LK21994	3/8" BSF	3/16"

Pipe Nuts (Continued)

Male, Steel

Male, Brass

Part No.	Thread Size	Pipe Bore
AEHU1	3/8" UNF	3/16"
AEHU2	10mm x 1mm	3/16"
AEHU3	3/8" BSF	3/16"
AEHU7	7/16" UNF	3/16"

Female, Steel

Part No.	Thread Size	Pipe Bore
TN606031	3/8" UNF	3/16"
SU2A	10mm x 1mm	3/16"
SU4A	7/16" UNF	1/4"
HU41A	1/2" UNF	5/16"

Female, Brass

Part No.	Thread Size	Pipe Bore
AEHU1A	3/8" UNF	3/16"
AEHU2A	10mm x 1mm	3/16"
AEHU4A	7/16" UNF	1/4"

Bleed Screws

Part No.	Thread Size
556508A	3/8" UNF
608400A	10mm metric
27H7166	3/8" BSF

Pipe Clips

Part No.	Capacity
GHF1191	SINGLE, 3/16"
GHF1192	SINGLE, 1/4"
624155	DOUBLE, 3/16"
	DOUBLE, 1/4"

Grease Nipples

Part No.	Thread Size	Angle
UHN400	1/8" BSP	straight, short
UHN445	1/8" BSP	45° angle
LN30041	1/8" BSP	90° angle
144825	1/8" BSP	straight, long
056935	1/4" BSP	straight
125361	1/4" BSP	45° angle
056934	1/4" BSP	90° angle

Petrol Pipe Clips, (Metric)

('Enots' type)

Part No.	to suit dia.
GGT1108X	8mm
GGT1109X	9mm
GGT1110X	10mm
GGT1111X	11mm
GGT1112X	12mm
GGT1113X	13mm
GGT1114X	14mm
GGT1115X	15mm
GGT1116X	16mm
GGT1117X	17mm

Hose Clips, ('Jubilee' type)

Mild Steel, (Imperial)

Part No.	to suit dia.
GHC304	3/8" - 1/2"
GHC405	7/16" - 5/8"
GHC406	1/2" - 3/4"
GHC507	5/8" - 7/8"
GHC608	3/4" - 1"
GHC709	5/8" - 1 1/8"
GHC811	1" - 1 3/8"
GHC913	1 1/8" - 1 5/8"
GHC1015	1 3/8" - 2"
GHC1217	1 1/2" - 2 1/4"
GHC1622	2" - 2 3/4"
GHC2228	2 3/4" - 3 1/2"
GHC2632	3 1/4" - 4"
GHC3036	3 3/4" - 4 1/2"
GHC3340	4 1/8" - 5"

Hose Clips

Stainless Steel, (Metric)

Part No.	to suit dia.
GHC10408	8 - 12 mm
GHC10410	12 - 18 mm
GHC10411	8 - 16 mm
GHC10412	12 - 20 mm
GHC10413	16 - 25 mm
GHC10414	20 - 32 mm
GHC10415	25 - 40 mm
GHC10416	32 - 50 mm
GHC10417	46 - 60 mm
GHC10418	50 - 70 mm
GHC10419	60 - 80 mm
GHC10420	70 - 90 mm
GHC10421	80 - 100 mm

Hose Clips, ('Supergrip' type)

(With single slotted hexagon head)

Part No.	to suit dia.
CS4009	7/16" - 9/16"
CS4011	1/2" - 11/16"
CS4012	9/16" - 3/4"
CS4013	5/8" - 13/16"
CS4014	11/16" - 7/8"
CS4016	3/4" - 1"
CS4017	13/16" - 1 1/16"
CS4018	7/8" - 1 1/8"
CS4020	1" - 1 1/4"
CS4022	1 1/8" - 1 3/8"
CS4023	1 1/4" - 1 7/16"
CS4024	1 5/16" - 1 1/2"
CS4025	1 3/8" - 1 9/16"
CS4026	1 7/16" - 1 5/8"
CS4028	1 9/16" - 1 3/4"
CS4029	1 5/8" - 1 13/16"
CS4030	1 11/16" - 1 7/8"
CS4032	1 7/8" - 2"
CS4034	1 15/16" - 2 1/8"
CS4036	2 1/16" - 2 1/4"
CS4037	2 1/8" - 2 5/16"
CS4038	2 3/16" - 2 7/16"
CS4039	2 1/4" - 2 7/16"
CS4040	2 5/16" - 2 1/2"
CS4041	2 3/8" - 2 9/16"
CS4042	2 7/16" - 2 5/8"
CS4048	2 13/16" - 3"
CS4052	3 1/16" - 3 1/4"

Original "Supergrip" clips were supplied with a single slotted round-head screw. The modern replacement comes with a hexagon headed screw. For the authentic look we have resourced the original type screw, (sold separately).

CS4099, (round-head screw)

'P' Clips**Imperial**

Part No.	Cable Dia.	Hole Size
PCR207	1/8"	7/32"
PCR307	3/16"	7/32"
PCR309	3/16"	9/32"
PCR311	3/16"	11/32"
PCR407	1/4"	7/32"
PCR409	1/4"	9/32"
PCR411	1/4"	11/32"
PCR507	5/16"	7/32"
PCR509	5/16"	9/32"
PCR511	5/16"	11/32"
PCR607	3/8"	7/32"
PCR609	3/8"	9/32"
PCR611	3/8"	11/32"
PCR707	7/16"	7/32"
PCR709	7/16"	9/32"
PCR711	7/16"	11/32"
PCR807	1/2"	7/32"
PCR809	1/2"	9/32"
PCR811	1/2"	11/32"
PCR813	1/2"	13/32"
PCR1007	5/8"	7/32"
PCR1009	5/8"	9/32"
PCR1011	5/8"	11/32"
PCR1207	3/4"	7/32"
PCR1209	3/4"	9/32"
PCR1211	3/4"	11/32"

'P' Clips**Imperial**

Part No.	Cable Dia.	Hole Size
PCR1407	7/8"	7/32"
PCR1409	7/8"	9/32"
PCR1411	7/8"	11/32"
PCR1607	1"	7/32"

'P' Clips**Metric**

Part No.	Cable Dia.	Fixing Hole size
CP105081	8mm	5mm
PCR611	10mm	8mm
CP108121	12mm	8mm
CP106161	16mm	6mm
CP108165	16mm	8mm

Steel Balls

Part No.	Dia.
BLS106	3/16"
BLS108	1/4"
BLS110	5/16"
BLS112	3/8"
BLS28	7/16"

Pop Rivets**Open End Type**

Part No.	Dia.
RA607096	2.9 x 5mm
RA608126	1/8" x 3/16"
RA608176	1/8" x 1/4"
RA608236	1/8" x 5/16"
RA608253	1/8" x 3/8"

Pop Rivets**Closed End Type**

Part No.	Dia.
RU608123	1/8" x 3/8"
RU608313	1/8" x 1/2"
RU612123	3/16" x 5/16"

Cable Ties

Part No.	Length
GHF1265	3 1/2"
GHF1266	5 1/4"
RTC222A	6"
GHF1267	8 3/4"
GHF1268	11"



PAINT & PAINT CODES

Here is a list of the colours used on the MG T-Type. The colours are blended to be an exact match to the original paint as used by the factory, but it is worth observing that your car may well have faded from its original colour over the years. For this reason before you start, we recommend that you do a test spray of any aerosol on a piece of old metal or a carefully selected area of the car where a mismatch will not be noticed.

We can supply paint in either aerosol and touch up (TU) format. For engine paint we can also supply paint in brush-on format (BR). The paint we supply is not for spray shop use. The aerosols come in 400ml cans and the brush-on paints are available in 125ml cans with a brush in the cap except for engine and chassis paints, which are supplied in 500ml tins).

KEY TO PAINT CODES

Saxe Blue	Abingdon Blue	Trafalgar Blue	CCBU37 (TU)
-----------	---------------	----------------	-------------

The colour in the first column on the right are the paint colours applied to MG T-Type models during production (see example above).

- Saxe Blue** : Is the factory listed T-Type colour name.
- Abingdon Blue** : Is the alternative name.
- Trafalgar Blue** : Is the classic car colour name.
- CCBU37** : Is the Moss paint code.
- (TU)** : Means that a touch up option is available.
- (BR)** : Means that a brush on option is available.
- : Means that the colour was not available at the time of print and to contact Moss.

Saxe Blue is the factory listed T-Type colour name, Abingdon Blue is the alternative name, and Trafalgar Blue is the classic car colour name. It is available from Moss as an aerosol (part no. CCBU37) or as a touch up can (part no. CCBU37TU).

TRIM COLOURS

Moss supply trim for the MG TA, TB, TC and TF, from complete interior trim kits right through to replacement door trim panels. Moss can supply these in both leather and vinyl materials. The colours available were: Green (TA-TF), Beige (TA-TF), Red (TA-TF), and Tan (TF). Our interior trim kits are all made from original colour vinyls of correct specification mounted on accurately die cut boards. Much time and money has been invested in producing exact replacement parts including the tooling to produce original heat formed patterns. Please see the colour chart below or contact Moss Europe for details.

	Green (TA-TF)
	Beige (TA-TF)
	Red (TA-TF)
	Tan (TF Only)

MG TA (1936-39)

Factory Listed T-Type Colour	Alternative Names	Classic Car Colours Name	Moss Paint Code
Saxe Blue	Abingdon Blue	Trafalgar Blue	CCBU37 (TU)
Racing Green	Dublin Green Emgee Green Apple Green	Racing Green	CCGN25 (TU)
Carmine Red	Emgee Red	Reno Red	CCRD14 (TU)
Black		Super Gloss Black	CCSB1 (TU)

MG TB (1939)

Saxe Blue	Abingdon Blue	Trafalgar Blue	CCBU37 (TU)
Coral Red	Emgee Red Carmine Red	Reno Red	CCRD14 (TU)
Apple Green	Dublin Green Emgee Green	Racing Green	CCGN25 (TU)
Duo Green		Willow Green Westminster Green	CCGN33 (TU) CCGN32 (TU)
Maroon		Embassy Maroon	CCRD21 (TU)
Metallic Grey		Regency Grey Metallic	CCGR14 (TU)
Black		Super Gloss Black	CCSB1 (TU)

MG TC (1945-49)

Red	MG Red Regency Red	Reno Red	CCRD14 (TU)
Green	Shires Green MG Green	Almond Green	CCGN37 (TU)
Cream	Sequoia Cream	Ivory	CCYL5 (TU)
Blue		Clipper Blue	CCBU14 (TU)
Black		Super Gloss Black	CCSB1 (TU)

MG TD (1949-53)

Black		Super Gloss Black	CCSB1 (TU)
MG Red		Reno Red	CCRD14 (TU)
Autumn Red		Autumn Red	CCRD6 (TU)
Almond Green		Almond Green	CCGN37 (TU)
Ivory		Ivory	CCYL5 (TU)
Clipper Blue		Clipper Blue	CCBU14 (TU)
Sun Bronze			Contact Moss
Woodland Green		British Racing Green (Dark)	CCGN29 (TU)
Silver Streak Grey Met.	Silver Streak Grey Met.		CCGR25 (TU)

MG TF (1953-55)

Black		Super Gloss Black	CCSB1 (TU)
MG Red		Reno Red	CCRD14 (TU)
Almond Green		Almond Green	CCGN37 (TU)
Ivory		Ivory	CCYL5 (TU)
Birch Grey		Birch Grey	CCGR3 (TU)
MG Green Metallic	MG Green Metallic		CCGN31 (TU)

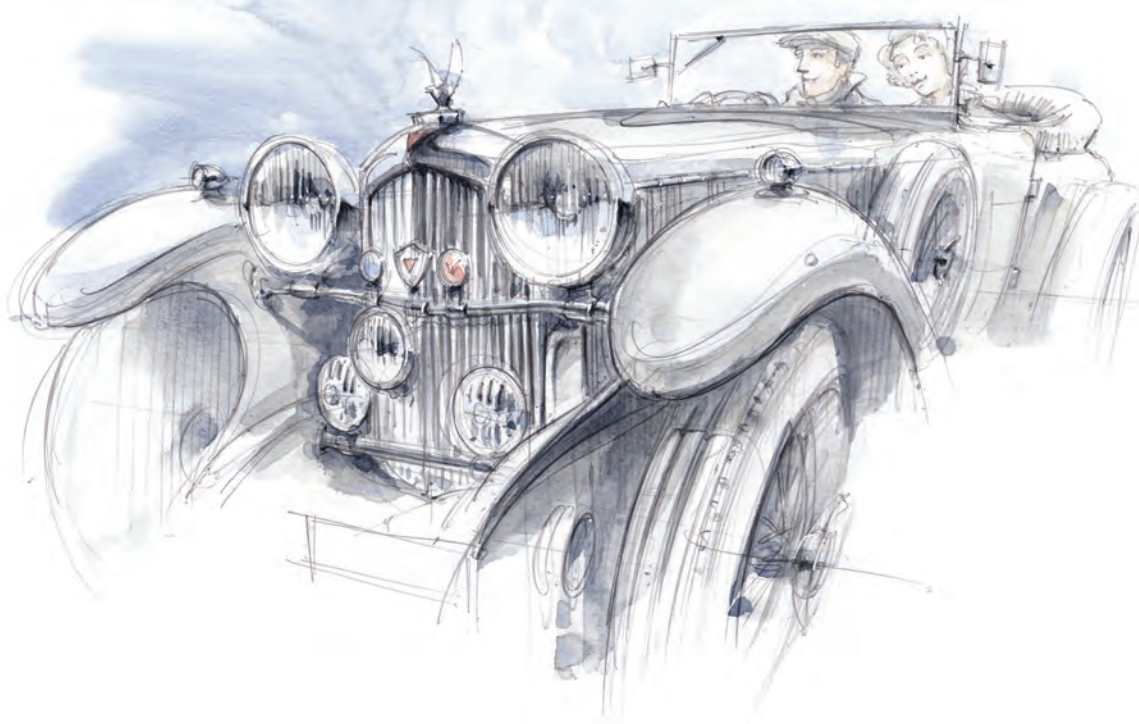
To provide those (vital) final touches, the following colours are also available

Paint description	Colour names	Moss paint code
Engine Paint	Dark Green, (TA, TB, very early TC)	CCEP14
	Grey, (TC up to 1948)	CCEP13
	Dark Red, (TC 1948 on, TD, TF)	CCEP1
Wheel Paint	Silver, (Wire or Steel)	CCWP1
Chassis Paint	Black Enamel	CCCB1 (BR)
Hood/Side Screen Frames	Tan	CCHP1
Instrument Panel	Black, (TA, TB early TC)	CCSB1
	Bronze, (Later TC, TD, TF)	CCDP1

Please note: Colours may vary slightly to samples shown here, due to the limitations of the colour printing press, and should be used as a guide only.

DYNOLITE

EUROPE'S CLASSIC MOTOR OIL



Dynolite Oil produces high quality oils and lubricants for vintage, classic and racing applications. Including lubricants for engines, gearboxes, steering boxes and greases. Dynolite lubricants are specially developed for historic vehicles to offer far superior mechanical protection.

www.dynolite.com

Dynolite Stockist: Moss Europe Ltd



LONDON

LONDON

Unit 16, Hampton Business Park
Bolney Way, Feltham
TW13 6DB

London Tel

+44 (0)20 8867 2020

E-mail

sales@moss-europe.co.uk

Fax

+44 (0)20 8867 2030



BRADFORD

BRADFORD

Unit 12-13, Acorn Park Ind. Est.
Otley Road, Shipley
BD17 7SW

Bradford Tel

+44 (0)1274 539 999

Email

bradford@moss-europe.co.uk

Fax

+44 (0)1274 539 990



BRISTOL

BRISTOL

Unit 14 Avonside Ind. Park
Avonside Road, Bristol
BS2 0UQ

Bristol Tel

+44 (0)117 923 2523

Email

bristol@moss-europe.co.uk

Fax

+44 (0)117 300 9164



MANCHESTER

MANCHESTER

111-117 Stockport Road
Stockport, Cheshire
SK3 0JE

Manchester Tel

+44 (0)161 480 6402

Email

manchester@moss-europe.co.uk

Fax

+44 (0)161 429 0349



PARIS

PARIS

7 rue Chaponval
ZAC du Cornouiller
78870 Bailly, France

Paris Tel

+33 (0)1 30 80 20 30

Email

sales@moss-europe.fr

Sav

+33 (0)1 30 80 21 50

Moss Websites

moss-europe.co.uk | moss-europe.fr

Facebook

facebook.com/mosseurope

Twitter

twitter.com/mosseurope

Instagram

instagram.com/mosseurope

Printed in the UK