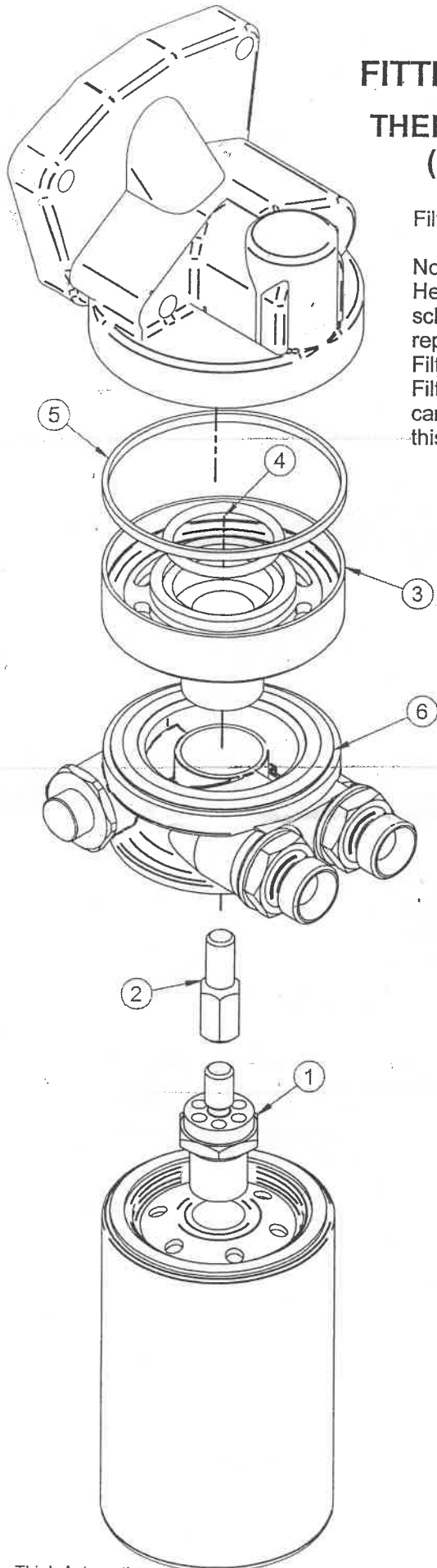


FITTING INSTRUCTIONS

THERMOSTATIC SPIN ON FILTER ADAPTER (FOR USE WITH AN OIL COOLER)

Filter Head

Note : The Filter Head shown is a schematic representation of a Filter Head. The Filter Head on your car may not look like this.



To compensate for the variations in Filter Head tolerances the Spin On consists of three parts Spin On Inner and Outer and an O ring. The variations in tolerances are taken up by the Spin On Outer sliding over the Spin On Inner. The integrity of the seal between the Inner and Outer is maintained by an O ring.

Fitting instructions for Thermostatic Spin On Filter Adapter. Kit TT1069. TR2,3,4,4A

- Remove existing oil filter bowl and sealing ring then place the sealing ring (item 5) in the Filter Head recess.
- Apply grease to the O ring (item 4) and then fit to the Spin On assembly (item 3).
- To ensure that the inner O ring (item 4) is seated correctly push the Spin On Inner forward so that the outer seal face sits back from the Filter Head seal when the unit is assembled to the Filter Head.
- Match the bolt thread to one of the extension screws (item 2) discard the other one. Fit the extension screw (item 2) to spigot (item 1) ensuring that the extension screw has been screwed all the way down the spigot thread. Secure the sub-assembly (items 3 & 6) to the Filter Head with the spigot and extension screw assembly, tighten until the O ring contacts the seal face then tighten a further 1/4 of a turn. Push the Spin On Outer home. The oil seal between the Spin On Outer and the Filter Head will be created when the Oil Filter is fitted.
- Fit the Oil Filter in accordance with the manufacturers instructions. Re-tighten after 100 miles.

We recommend oil filters with 3/4" UNF thread and anti-drain valve, eg Fram PH966.

8483FI Issue C.

Kit of Parts

- 1 off Spin On Assembly (item 3).
- 1 off O Ring 3.53mm dia (item 4).
- 1 off Seal (item 5).
- 1 off Spigot (item 1).
- 2 off Extension Screw (item 2).
- 1 off OTSP1 (item 6).

Note. Items 3 & 6 supplied as a sub assembly.