

Supplemental Information & Instructions for 141-260 or 13H6322 Lighting Switch (Replacement) MGB 68-72, Midget 68-72

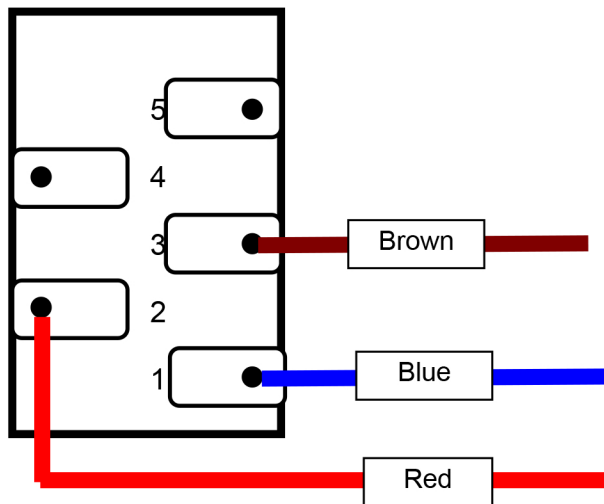
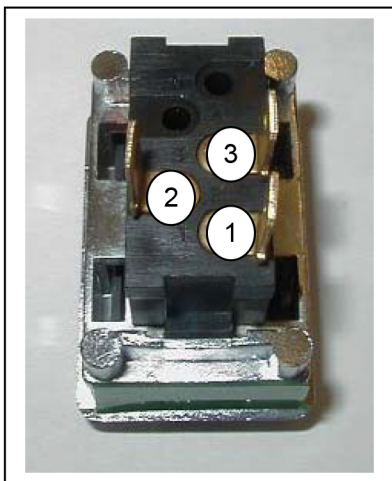
A Little History...

The original switch fitted to at least some of the 68-72 MGs had a separate bezel which was black and four male spade connectors on the back. The switch we supply has an integral chrome bezel and three spade connectors on the back, which is why we describe it as a "replacement" switch.

Reference: Robert Bentley reprint of the factory shop manual, 68-72 MGB. Due to differences in regulations, there was a change in the lighting switches supplied on cars starting in 1972 with the car number GHN5/UC/258001 (first RD) and GHN5/UC/258004 (first GT).

The basic function and visual appearances of the early and late switches are the same. Although some switches had four or more terminals on them, only three terminals were used. After carefully checking the diagrams we determined that the relationship between the **color** of the wire and the spade terminal **number** on the back of the switch is the same for all US Spec 68-72 MGBs.

The diagram below shows how the switch supplied by Moss is connected in a 68-72 US spec MGB. This may or may not apply to MGBs prior to 68 or after 72! As with any wiring of electrical items we suggest you refer to your shop manual for wiring details. If you are having problems with your electrical system, consider getting a copy of Rick Astley's book, **MGB Electrical Systems**, which is available from Moss as 211-615.



Moss Motors, Ltd.

440 Rutherford Street, Goleta, California 93117
In the US & Canada Toll Free (800) 667-7872 FAX (805) 692-2510 (805) 681-3400

Moss Europe Ltd.

Hampton Farm Industrial Estate, Hampton Road West, Hanworth Middlesex, TW13 6DB
In the UK: 020-8867-2020 FAX:- 020-8867-2030